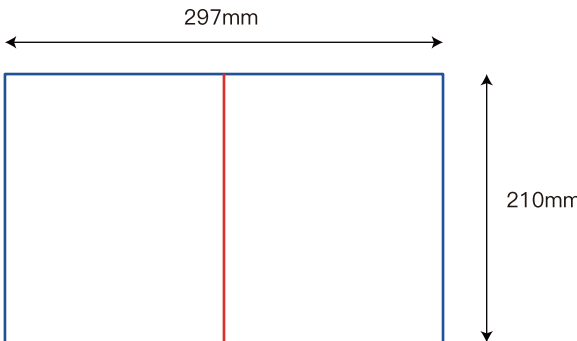


注：此页为技术说明，非印刷内容

A

刀模线：——
内折线：——

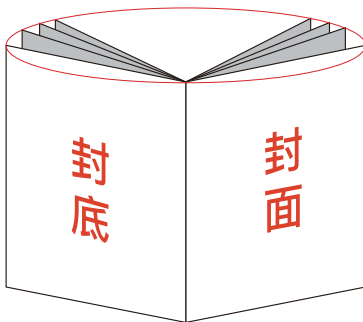
展开尺寸图：



B

C

折页效果图：



D

E

技术要求：

- 1、材质：封页105g 铜板纸；内页80g双胶纸
- 2、展开尺寸：A4，如图所示折叠成型为A5，8页
- 3、颜色：单色
- 4、印刷：印刷图档见后续页，双面印刷
- 5、装订方式：骑马钉

符号标识

版本变更

关键尺寸

编号

参照尺寸

(.XXX)

名称

MSSS05-(中性包材)
-Manual-YNCF

图号

材料

规格

PLM号 860-03101-00

投影法 第一角投影法



版本 重量G 比例

共9页 第1页

倍思奇创新科技
(深圳)股份有限公司

除非另有说明	标记	处数	ECO#	发行时间
0-30 ±1	设计			PM
30-150 ±2	绘图	Sunny	日期	2025/1/17
150-300 ±3	审批	Lily	日期	
300-450 ±4	除去所有利边，尖点，毛刺			
>450 ±5				

1

2

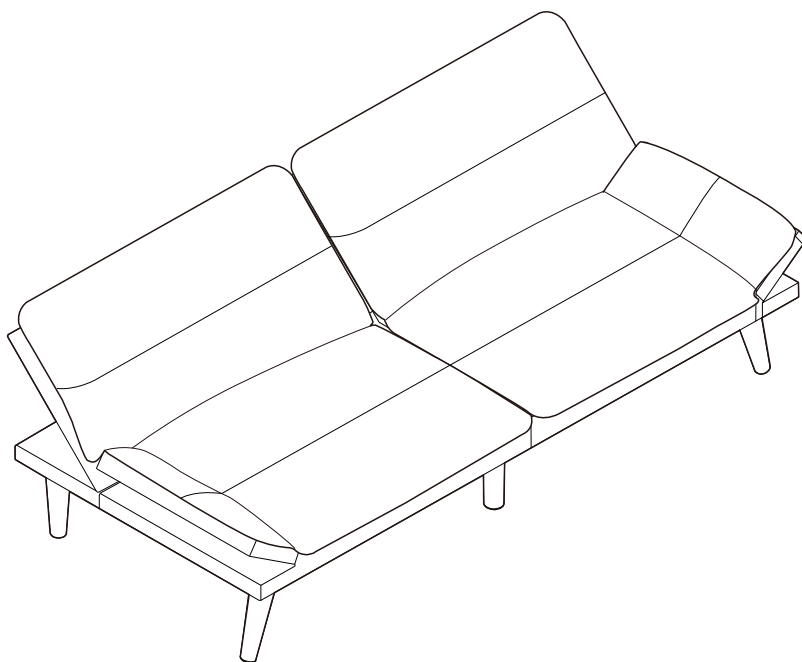
3

4

INSTRUCTION MANUAL

V3

MSSS05



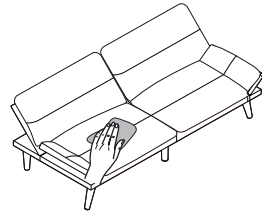
Sofa Bed

Important Safety Information

- Please carefully read all instructions before attempting installation. If you do not understand the instructions or have any questions or concerns, please email customer service.
- Before starting assembly, verify all parts are included and undamaged. Do not use damaged or defective parts. If you require replacement parts, please email customer service.
- This product contains small parts that may pose a choking hazard.
- Do not use this product for any purpose that is not explicitly specified in this manual. We are not liable for damage or injury caused by improper mounting, incorrect assembly, or inappropriate use.

Care and Maintenance

- Use a vacuum cleaner to remove any loose debris.
- Clean using mild detergent with a damp cloth.

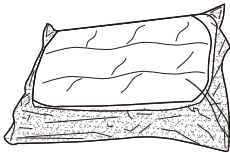


Installation Tips

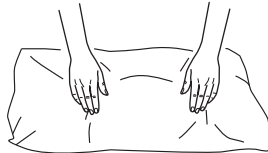
- Make sure you have enough space to lay the parts out before assembling.
- To avoid scratches, assemble this product on unfolded cardboard or a soft surface.



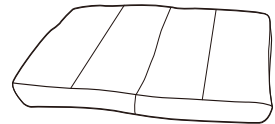
The cushions ship vacuum sealed. To restore their original shape, follow the steps below.



1. Carefully open the vacuum bag.



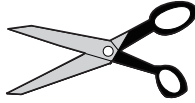
2. Press and pat to fluff the cushion.



3. Squeeze to distribute the filling evenly.

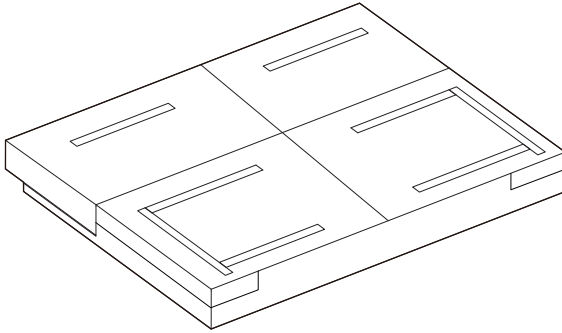
- **Air the cushions for 72-96 hours to restore them to optimal condition.**

Tools Needed (Not Included)



Scissors

Supplied Parts and Hardware



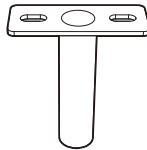
01 x 1
Frame

02 x 4



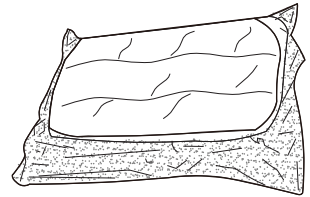
Leg

03 x 2



Center Leg

04 x 2



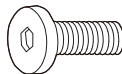
Cushion

A x 4



Washer

B x 4



Bolt

C x 4



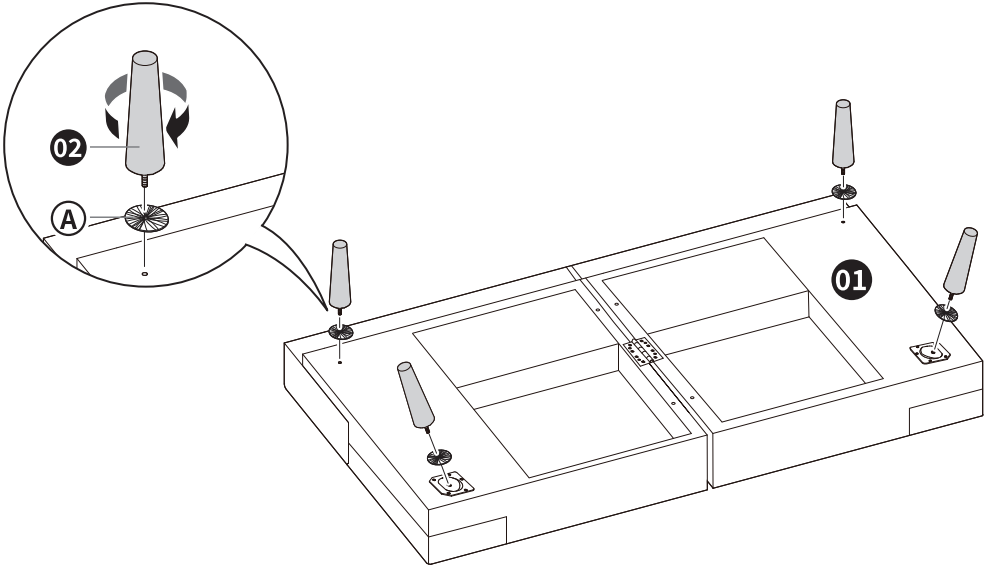
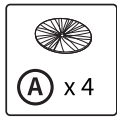
Washer

D x 1

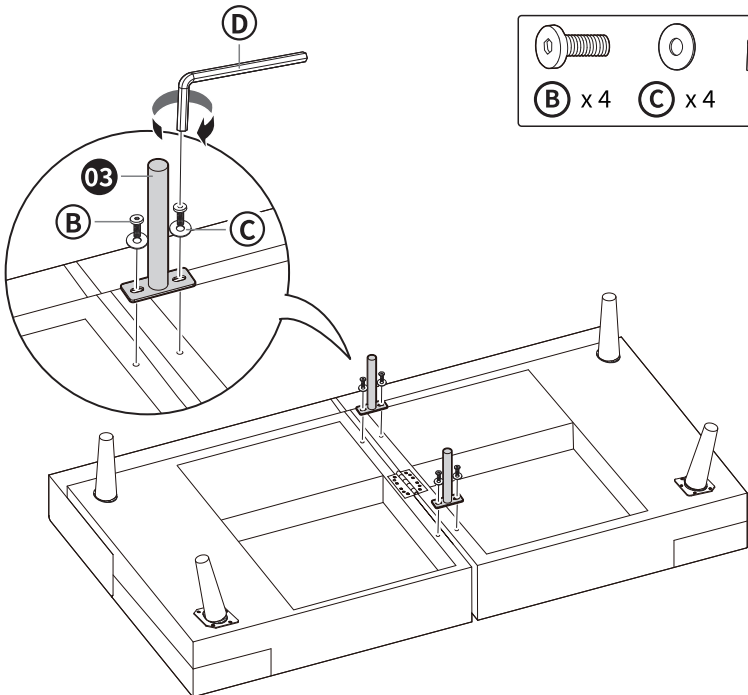
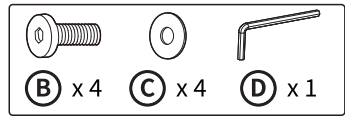


Allen Key

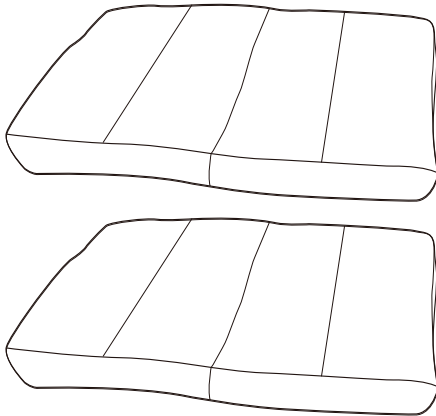
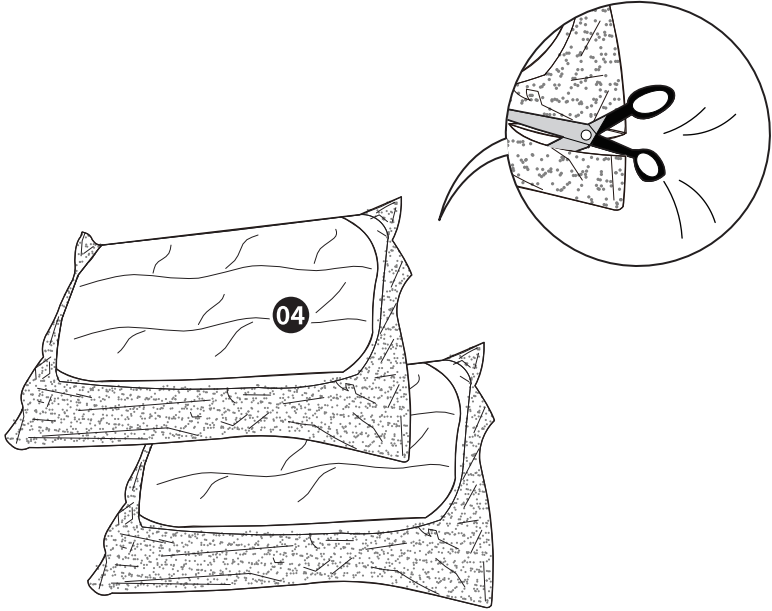
1



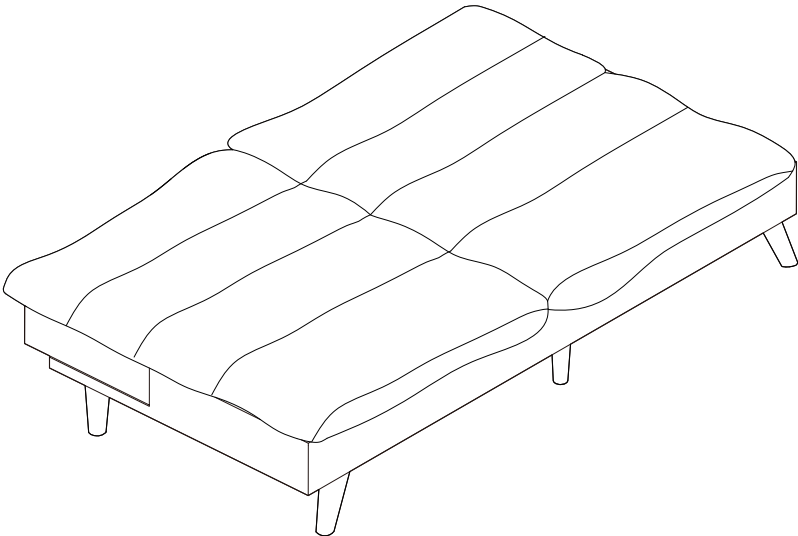
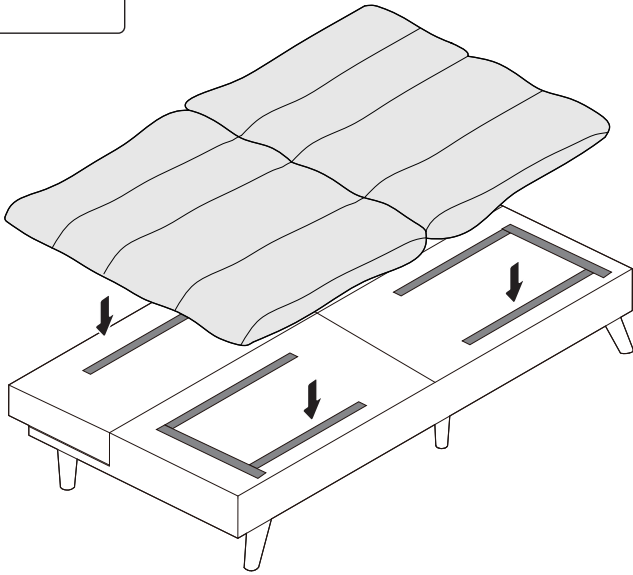
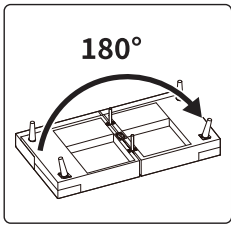
2



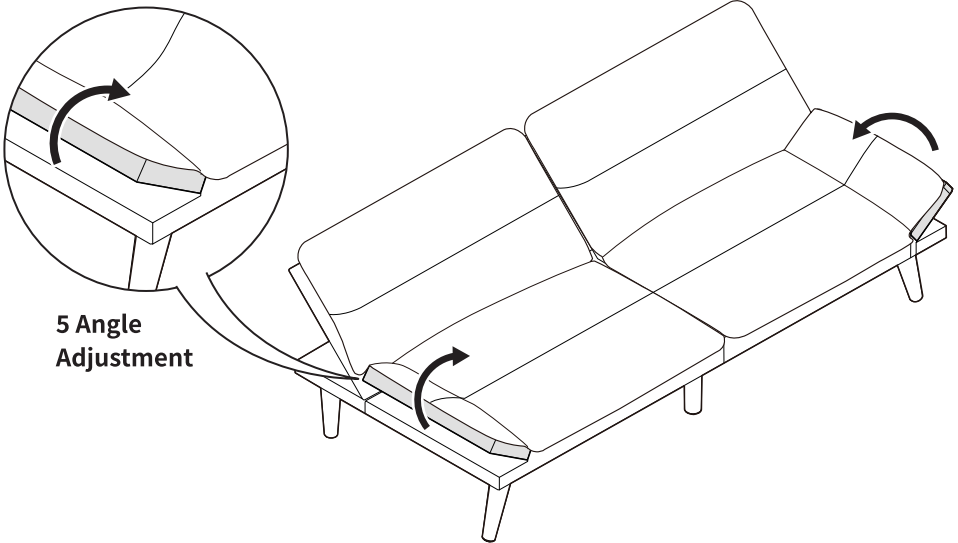
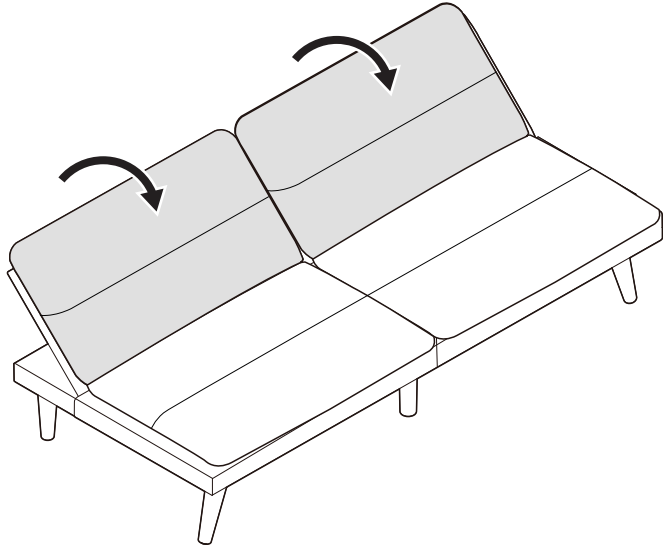
3



4

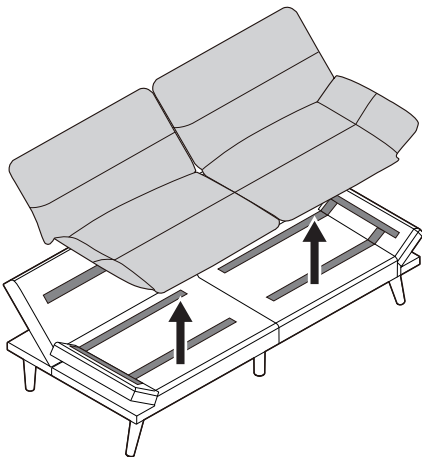
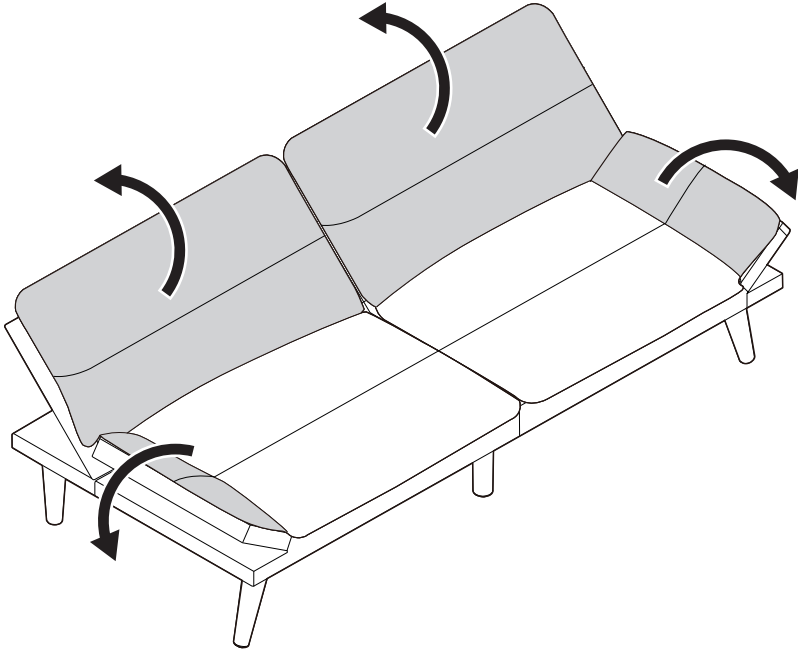


Sofa Setup



Convert the Sofa into a Bed:

Press the backrests and armrests toward the middle to unlock, then lay them flat.



TIP: If converting is difficult, remove the cushions first.