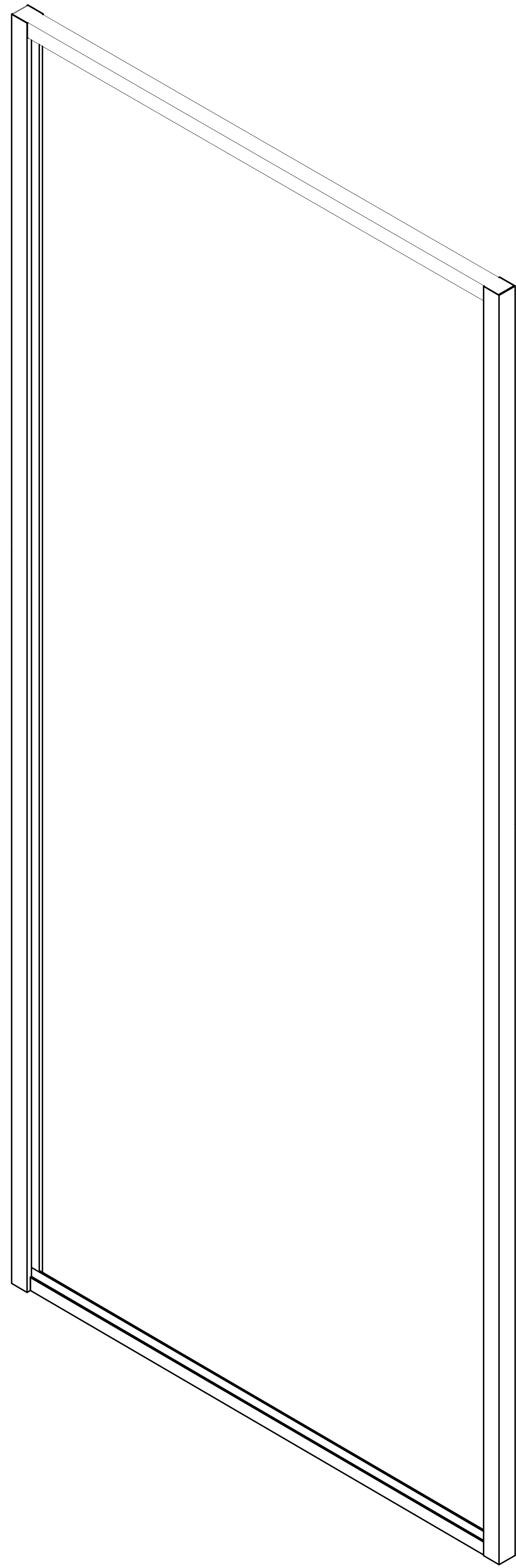
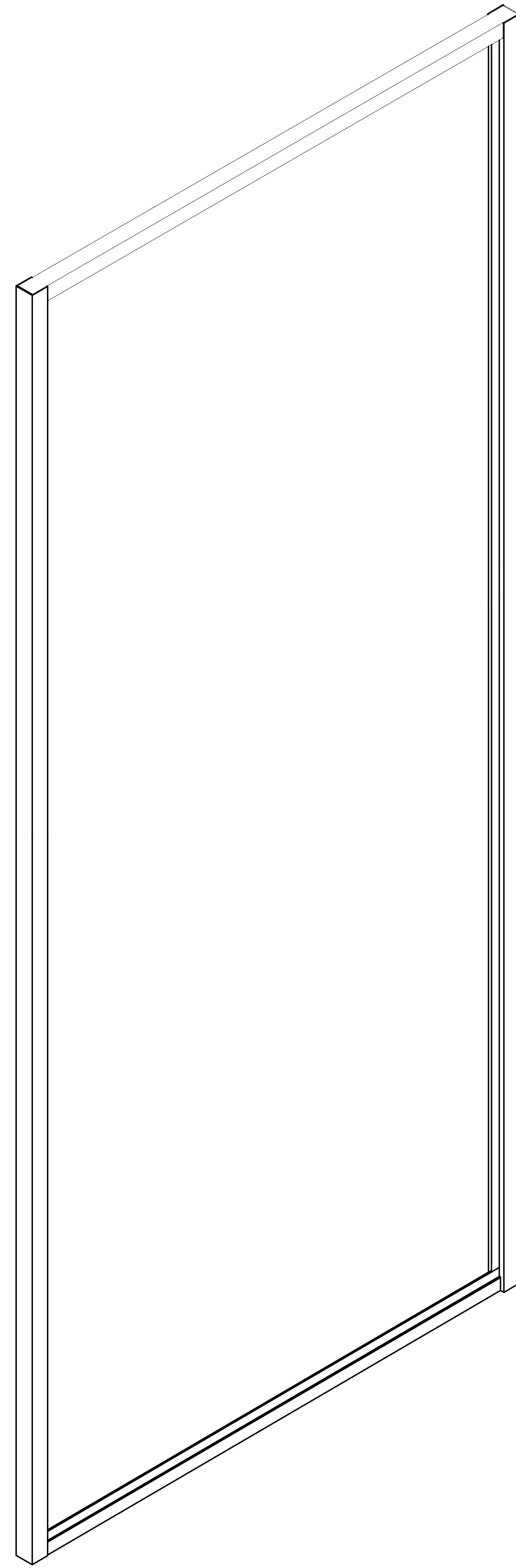


Shower Door Instruction Guide

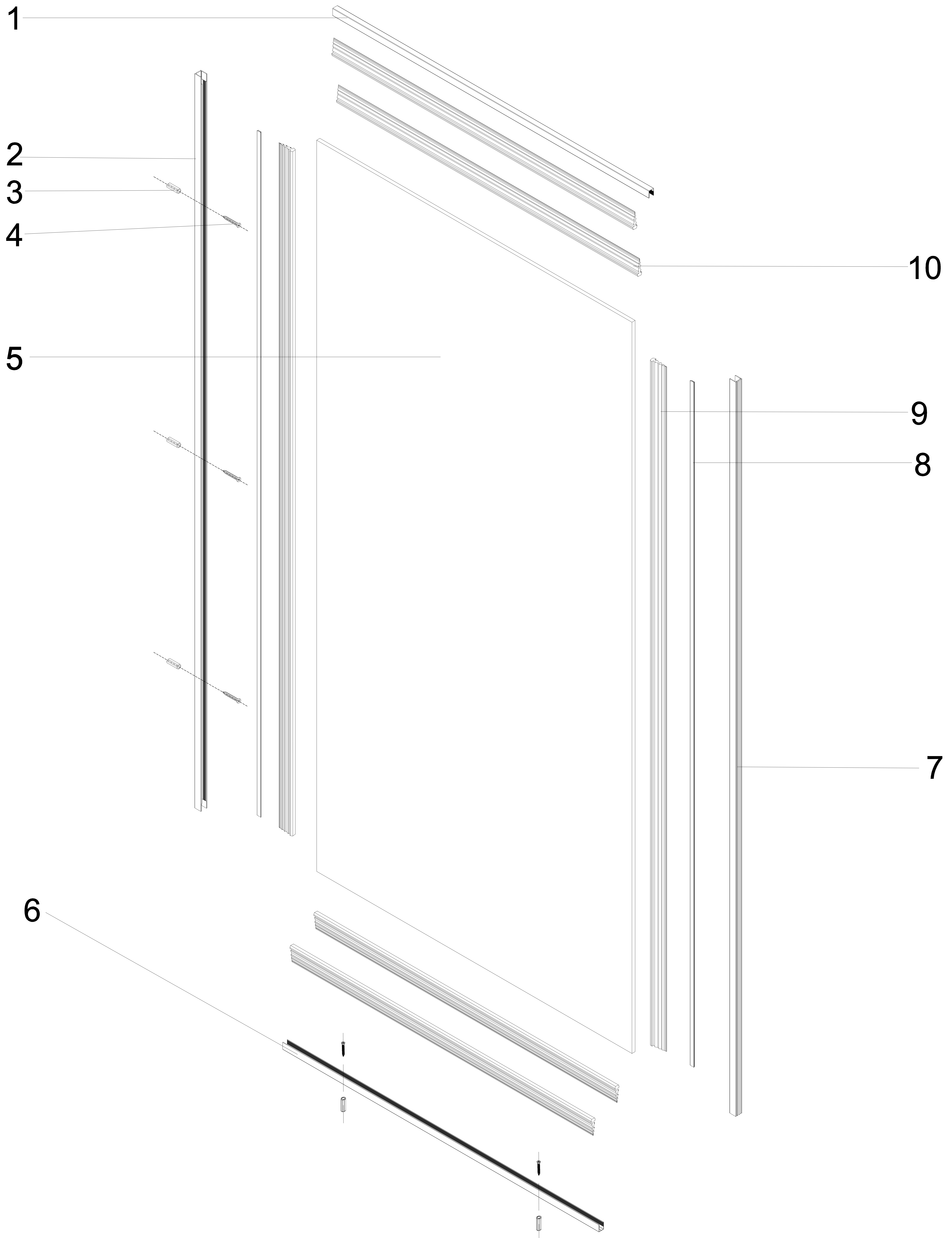


**left-hand side shower
screen installation**



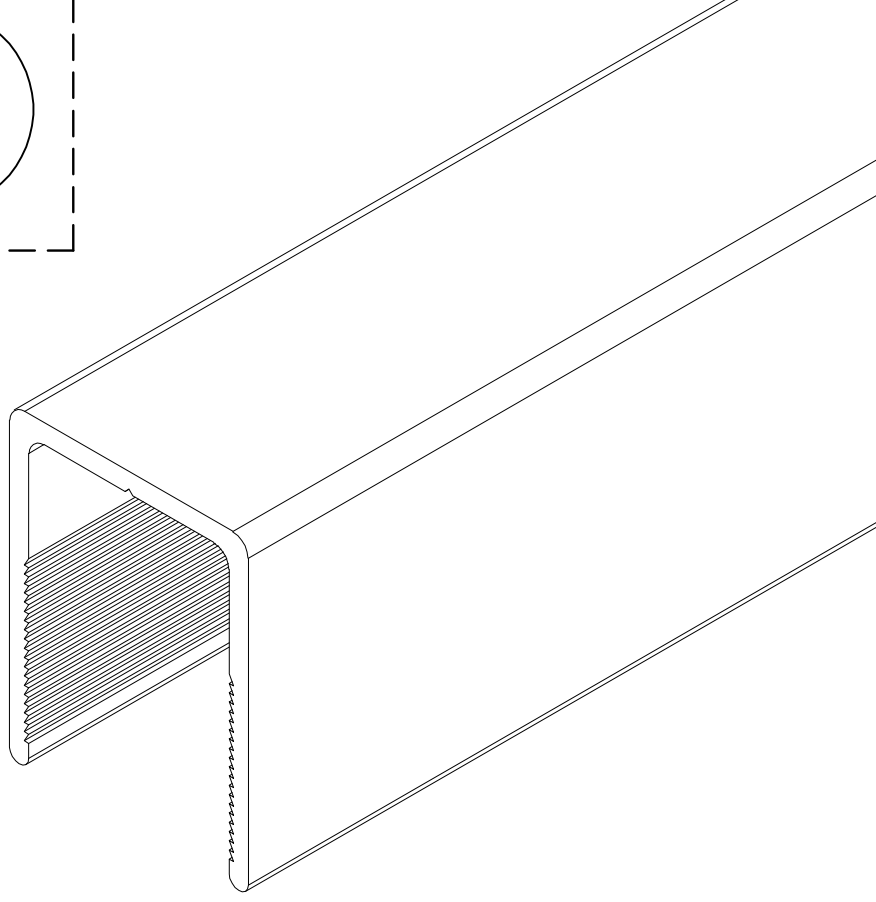
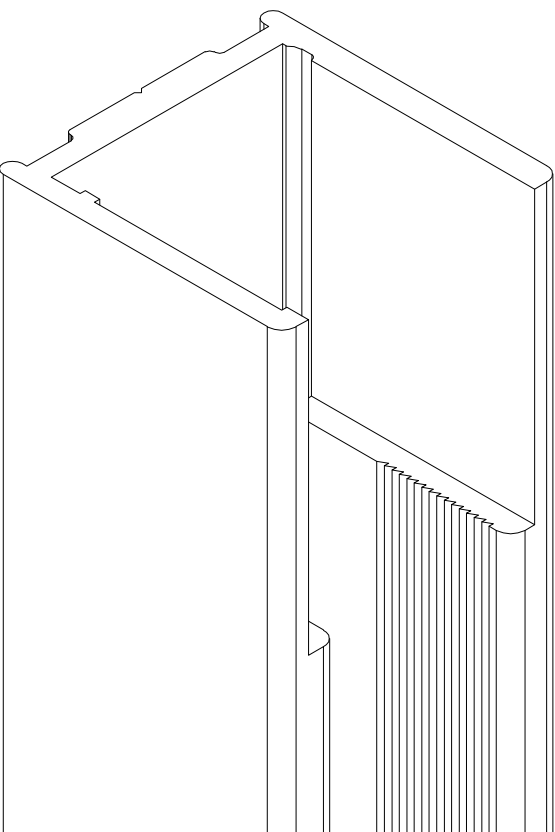
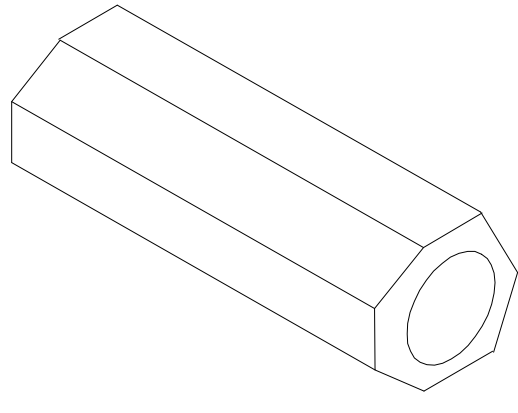
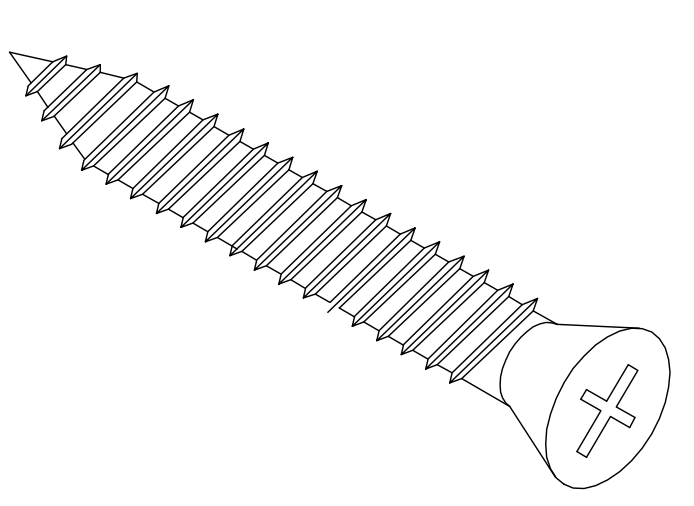
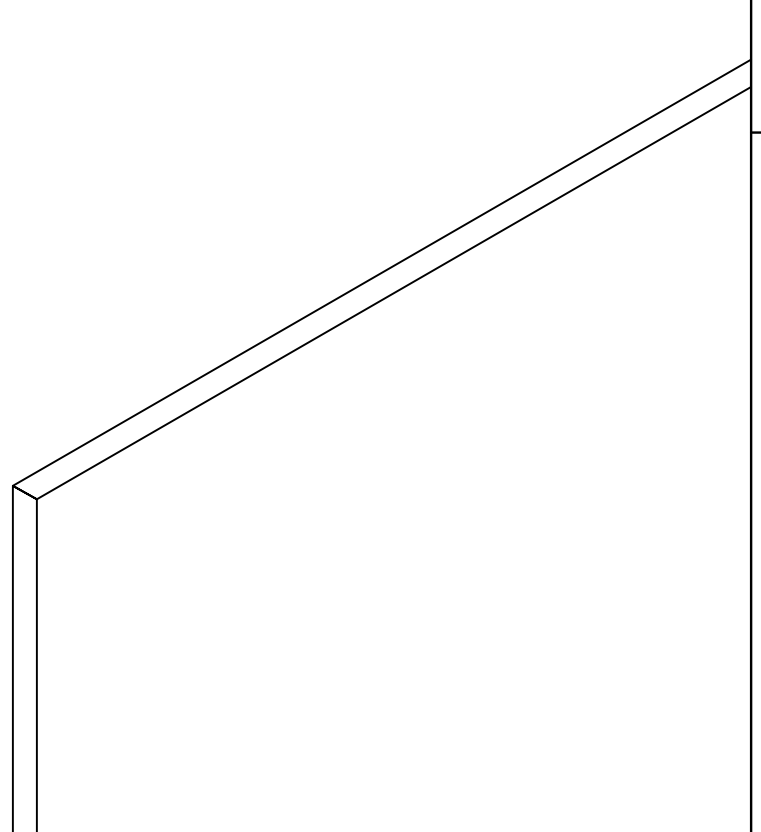
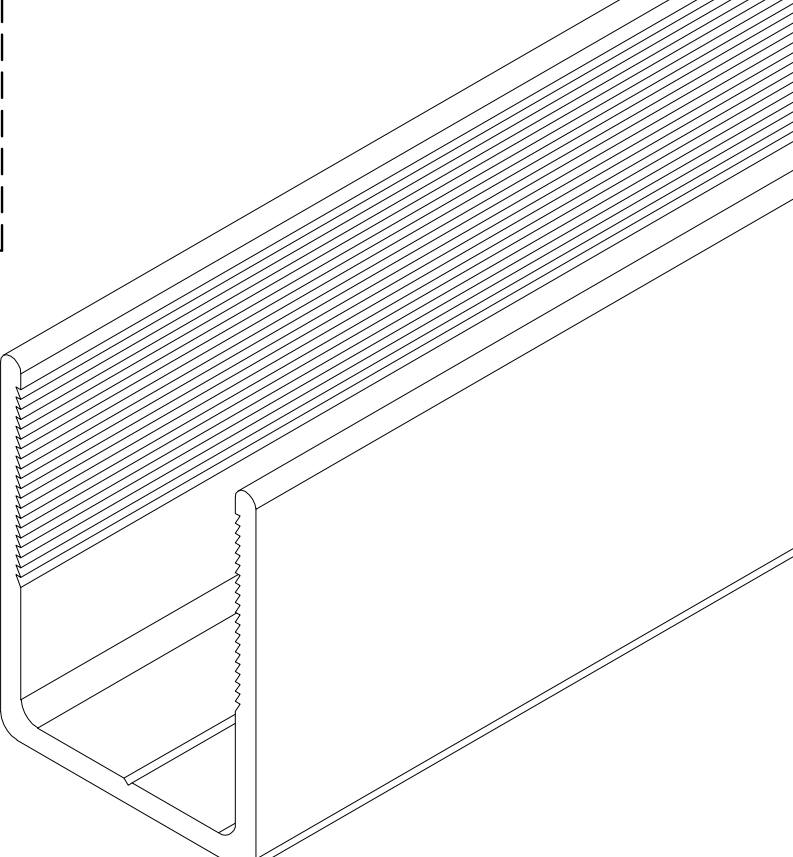
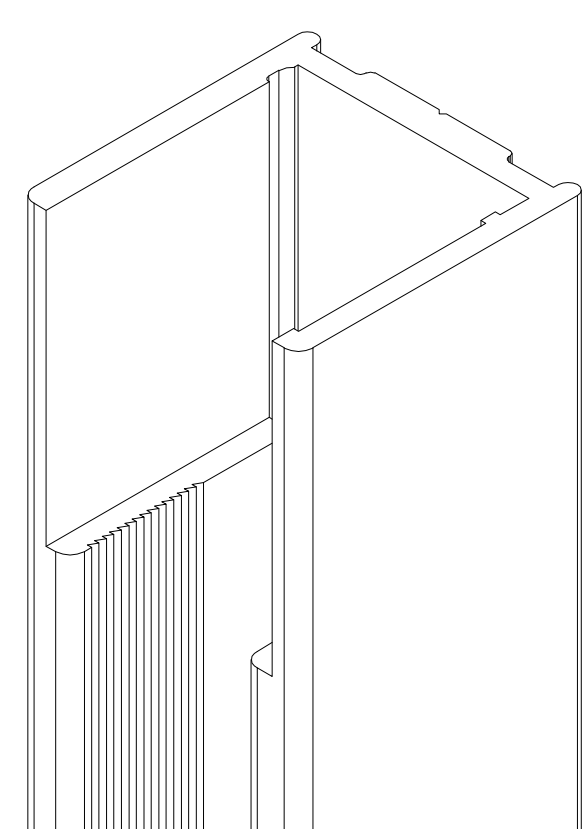
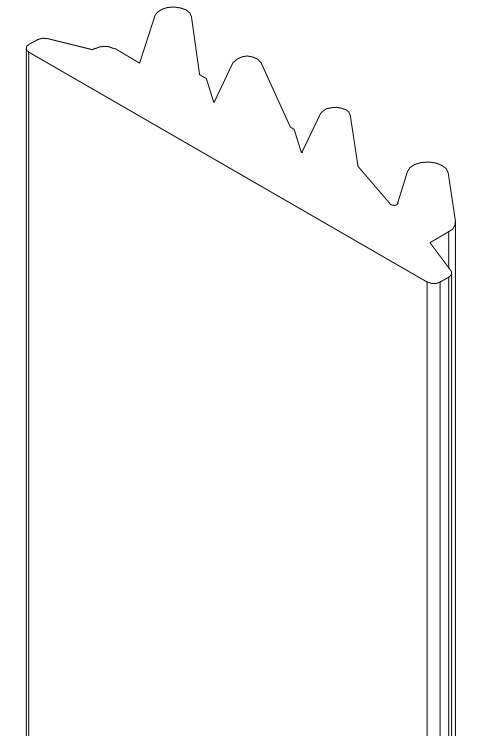
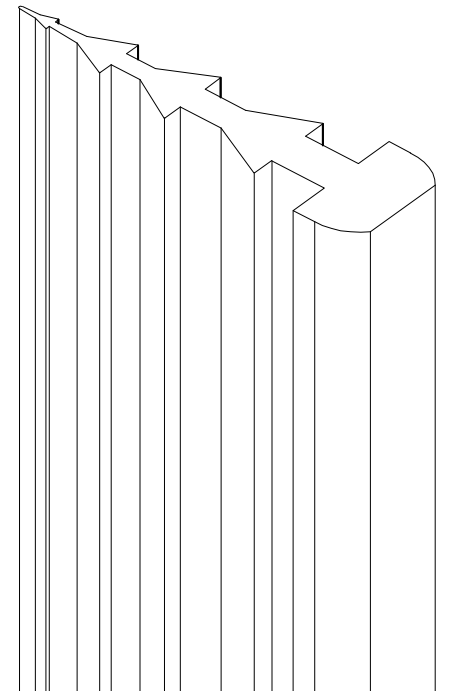
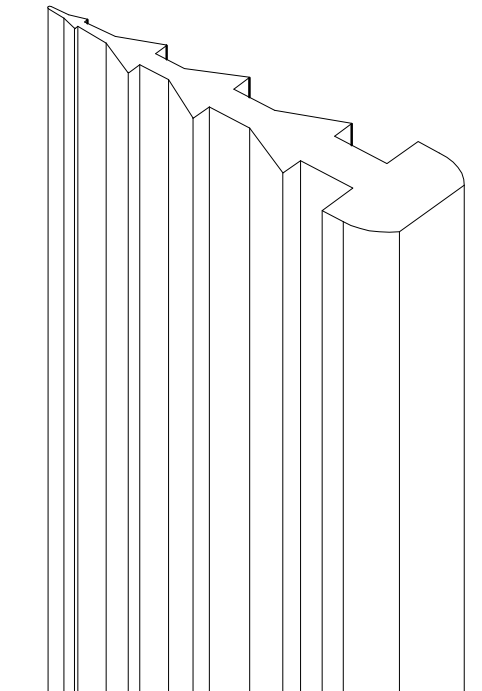
**right-hand side shower
screen installation**

Detailed Diagram

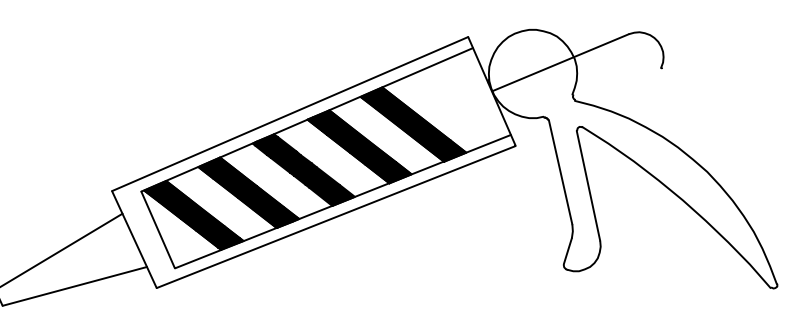
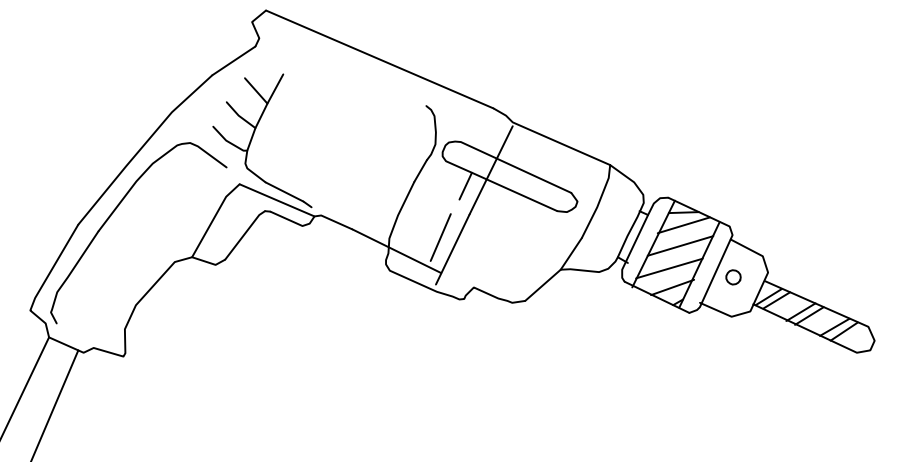
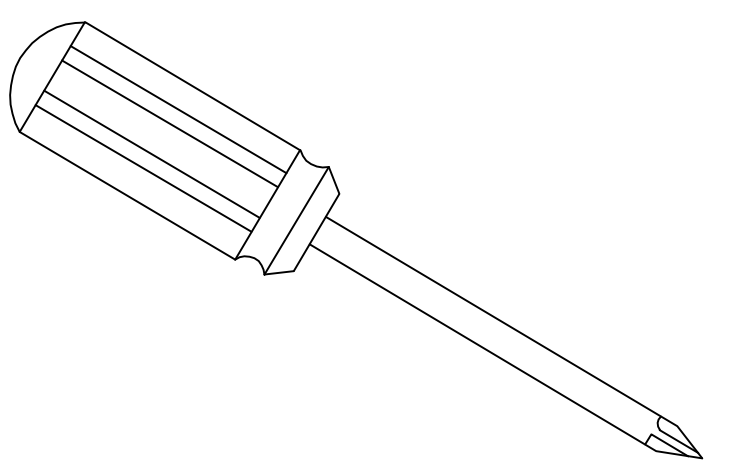
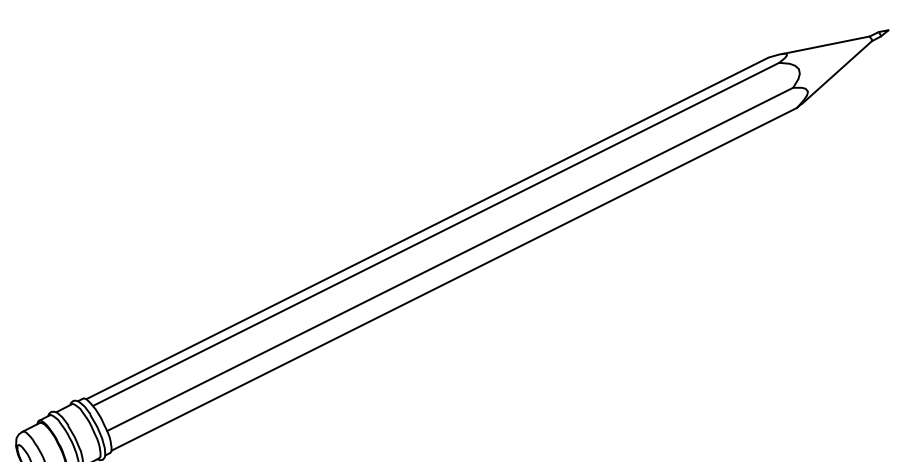
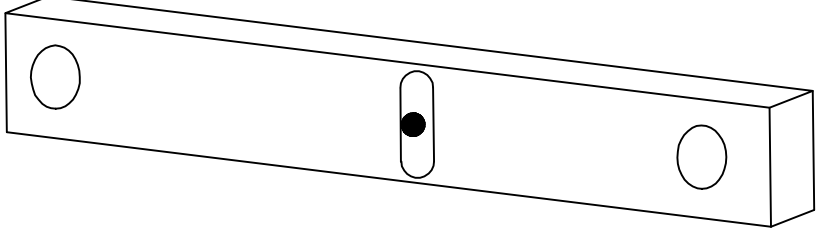
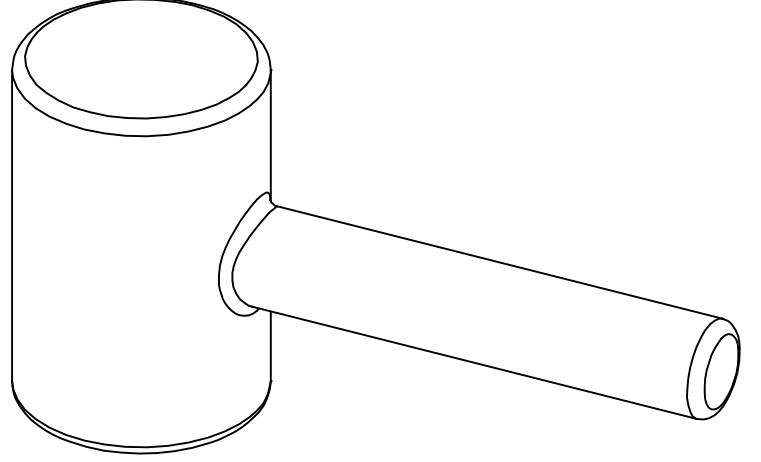
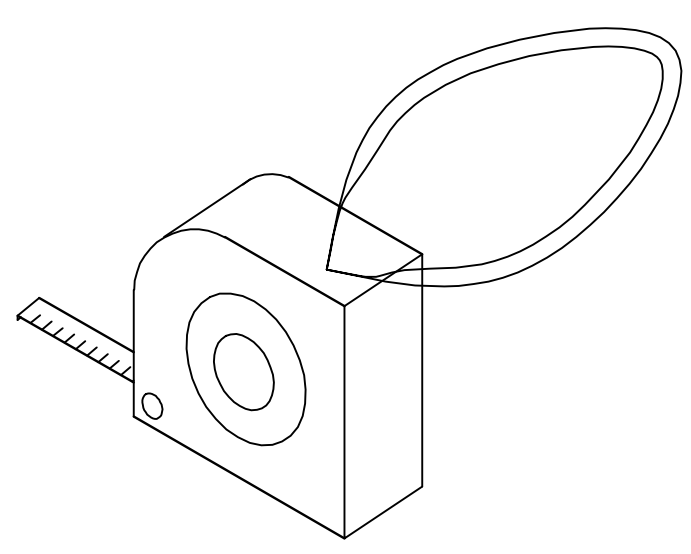


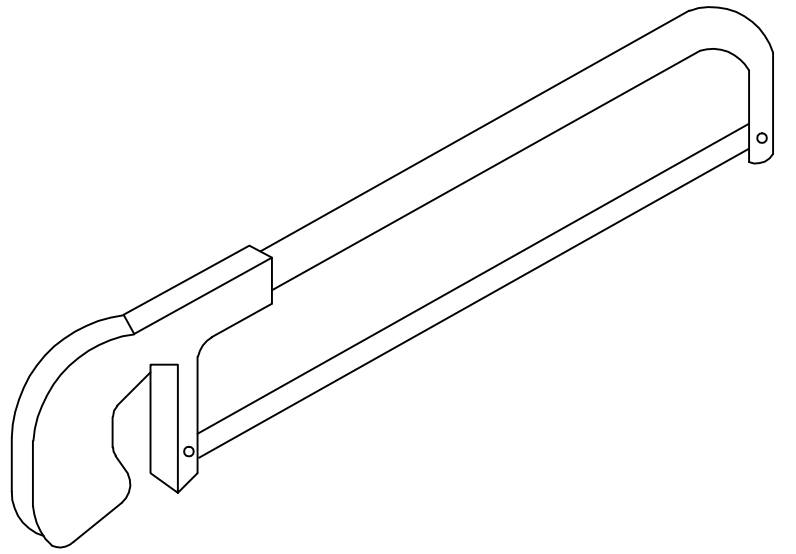




PART LIST

Check all parts according to the list before assembly . Feel free to contact with us if you need assistance .

					
Top aluminum U channel (1PC)	Wall bracket A(1PC)	Plug 6*28(5PCS)	Screw 4*30(5PCS)	Glass shower screen(1PC)	Bottom aluminum U channel(1PC)
					
Wall bracket B(1PC)	Strip(2PCS)	One-sided strip(2PCS)	One-sided strip(4PCS)		

Recommended Tools

					
Silicone	Drill	Philips Screw Driver	Pencil	Level	Rubber Mallet
					
Tape Measure	Ø1/4"Drill Bit	Wooden Jam	Hacksaw	Safety Glass	Safety Gloves

Utilize Safety Glasses and Safety Gloves when constructing this shower door

Product installation attention and maintenance

Note: When installing, the glass corner protector cannot be dropped. And glass corners cannot touch the ground

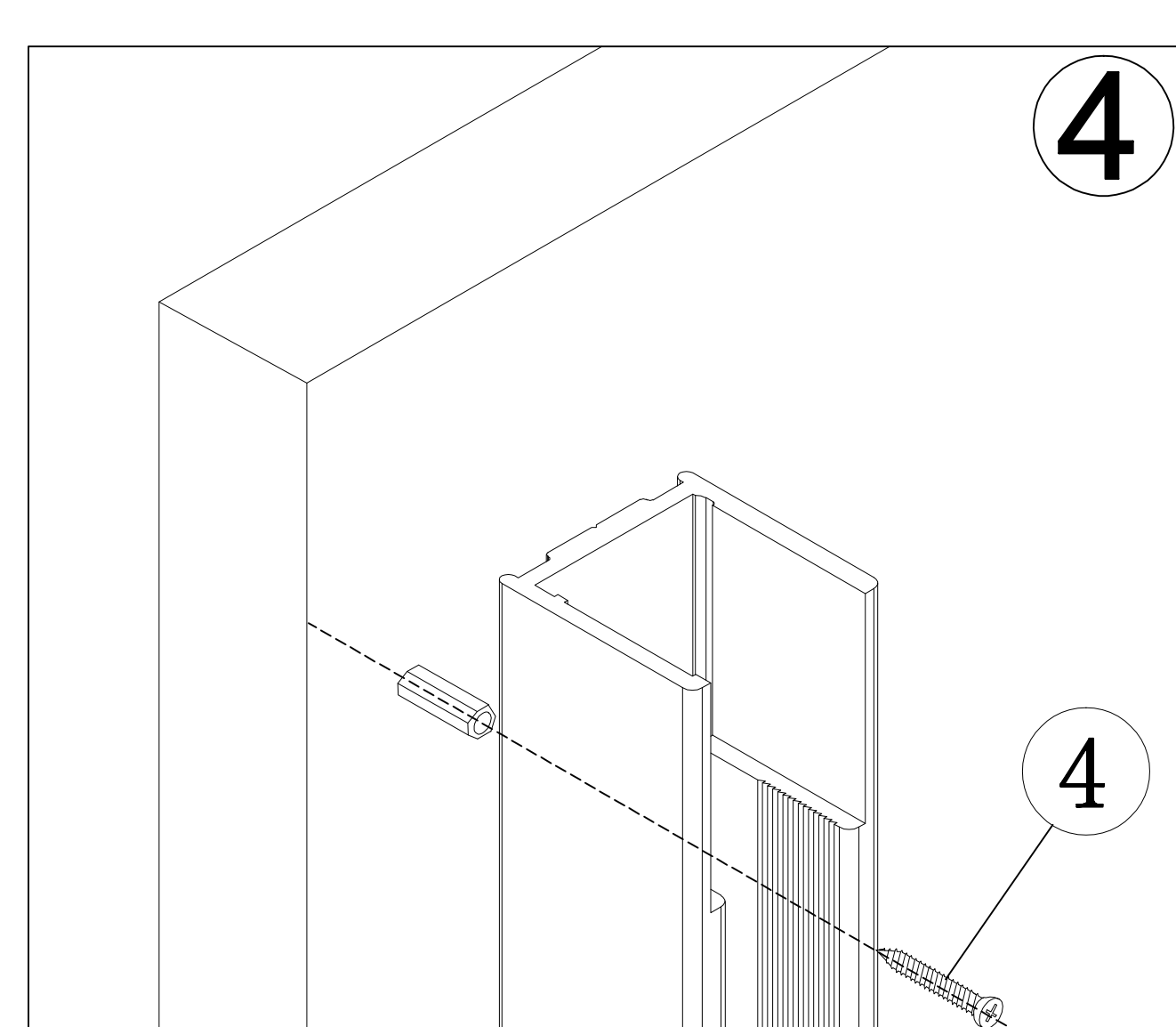
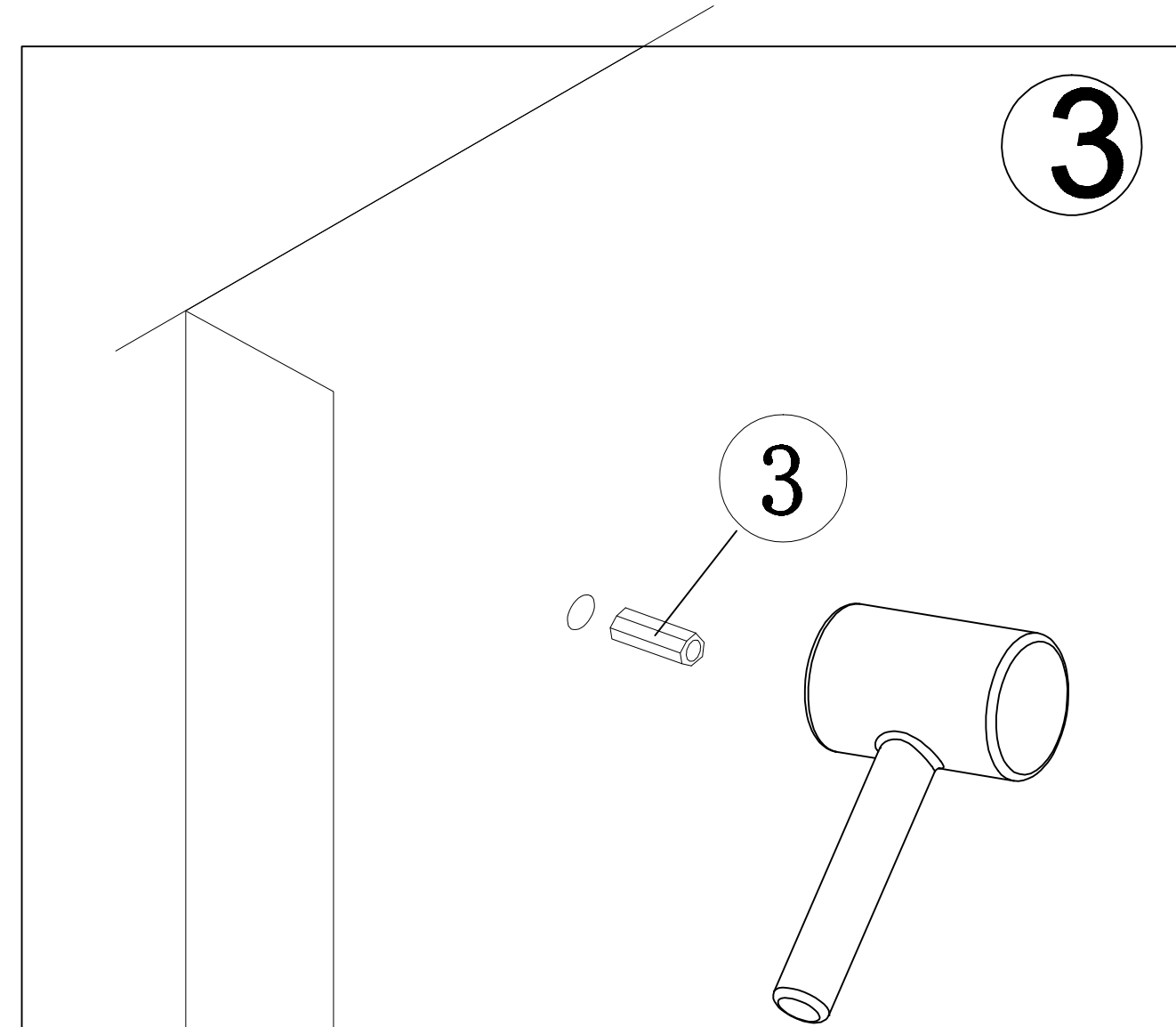
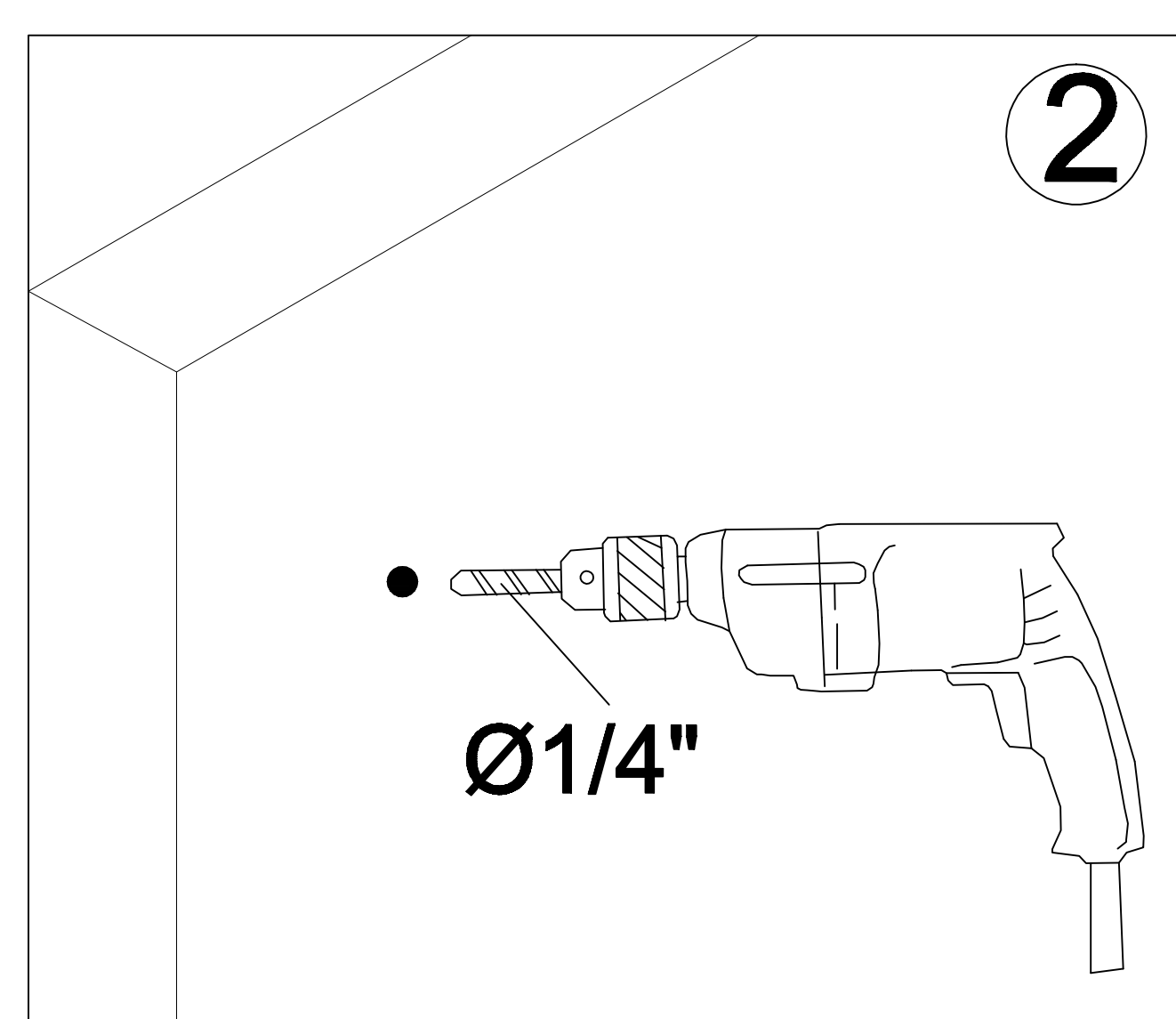
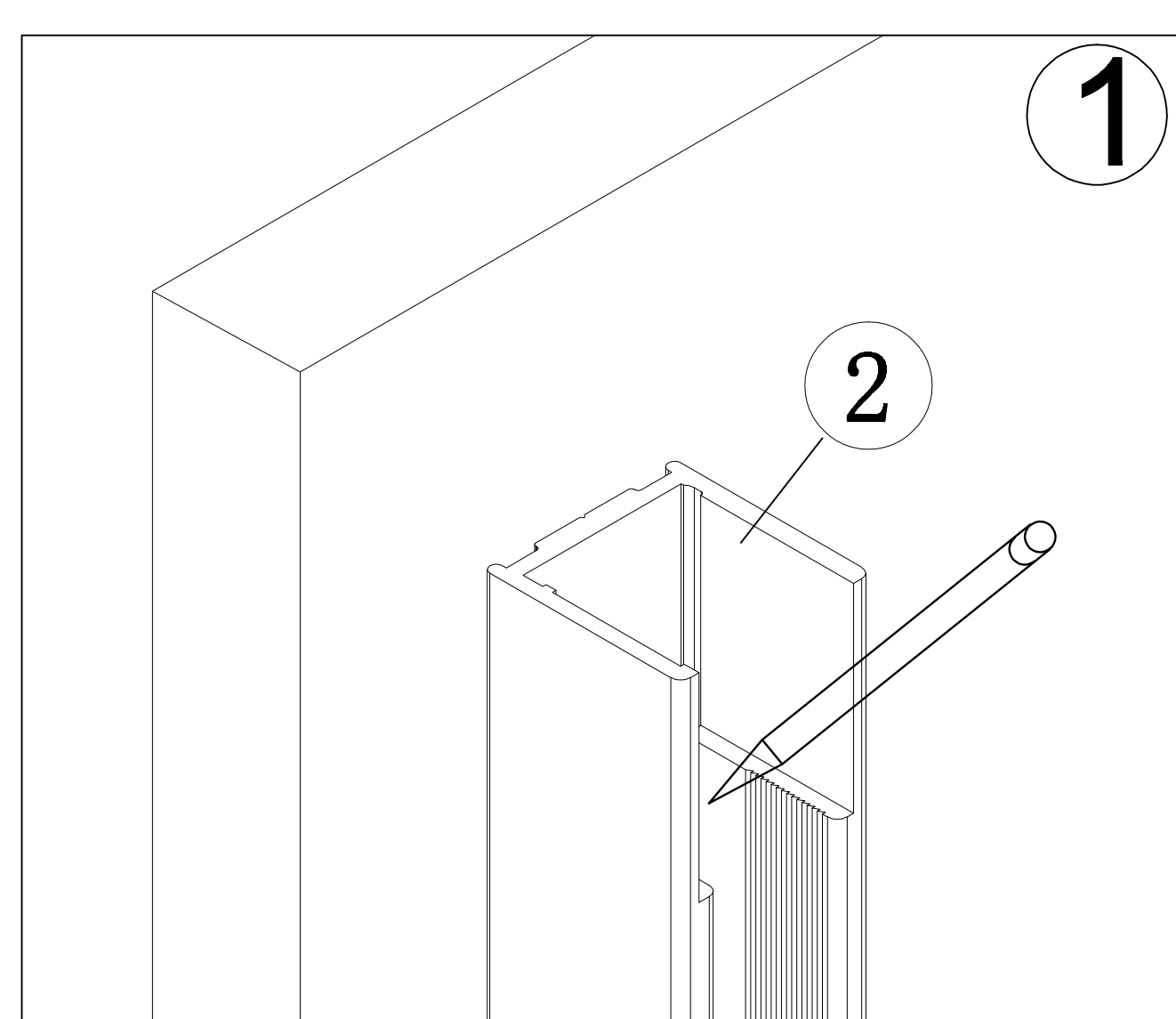
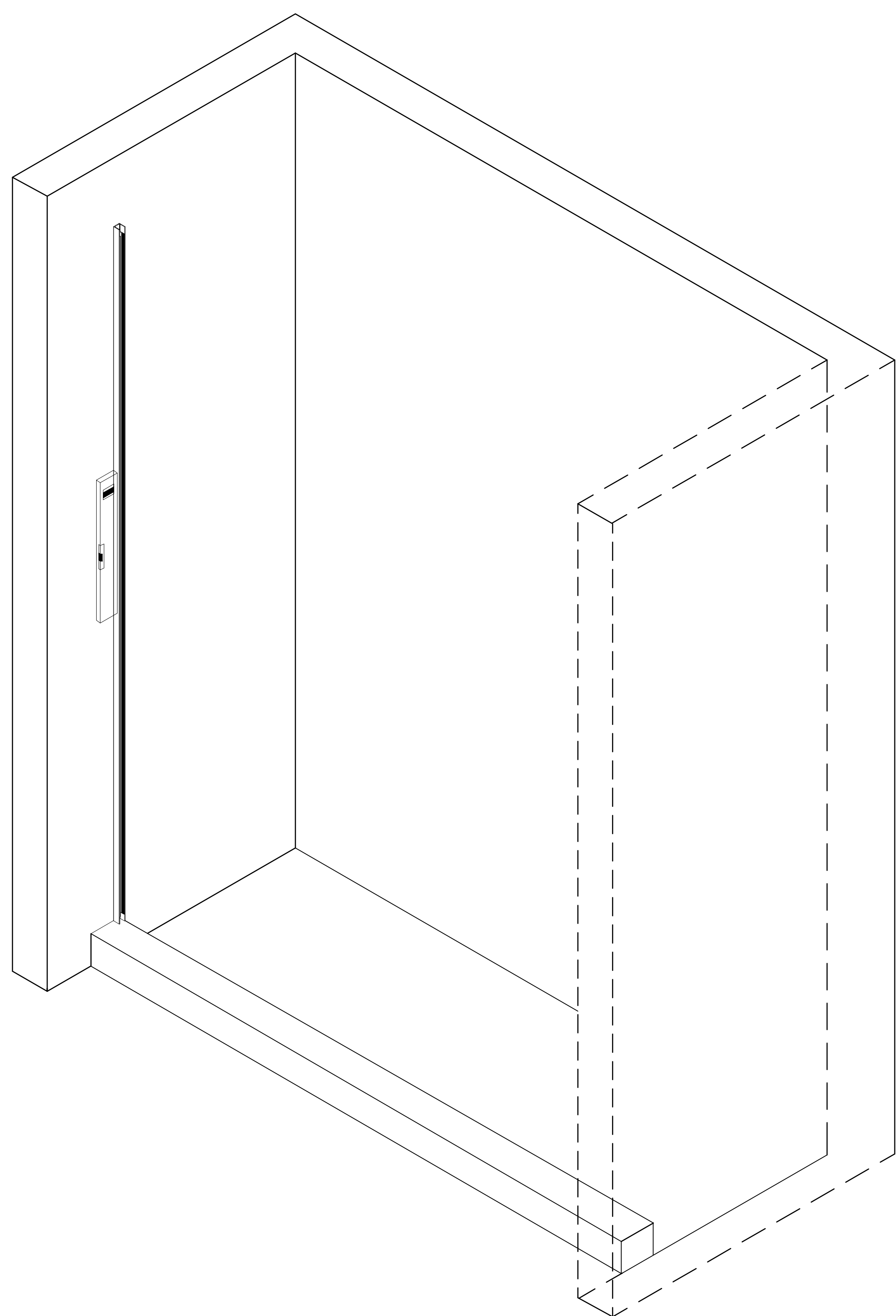
GLASS: To ensure long lasting life for your glass shower products: wipe them off after each use with a soft cloth. Rinse and wipe off the glass using either a soft cloth or a squeegee to prevent soap buildup and water spots (Hard water can etch the surface of the glass over time if left to dry). To prevent scratching the surface: never use abrasive cleaners or cleaning products that contain scouring agents. Never use bristle brushes or abrasive sponges that may scratch the surface.

HARDWARE: To ensure a long lasting finish: wipe off the metal parts after each use with a soft cloth. Do not use abrasive cleaners or cleaning products containing ammonia, bleach or acid. If accidentally used, rinse the surface as soon as possible to prevent damage to the finish (peeling or corrosion). After cleaning the polished finishes, rinse thoroughly and wipe dry with soft cloth. Clean stainless steel surfaces at least once a week. When applying stainless steel cleaner or polish to stainless steel hardware, work with (not across) the grain. Never use an abrasive sponge or cloth, steel wool or wired brush as these may permanently scratch the surfaces.

Left Hand Assembly

STEP 1

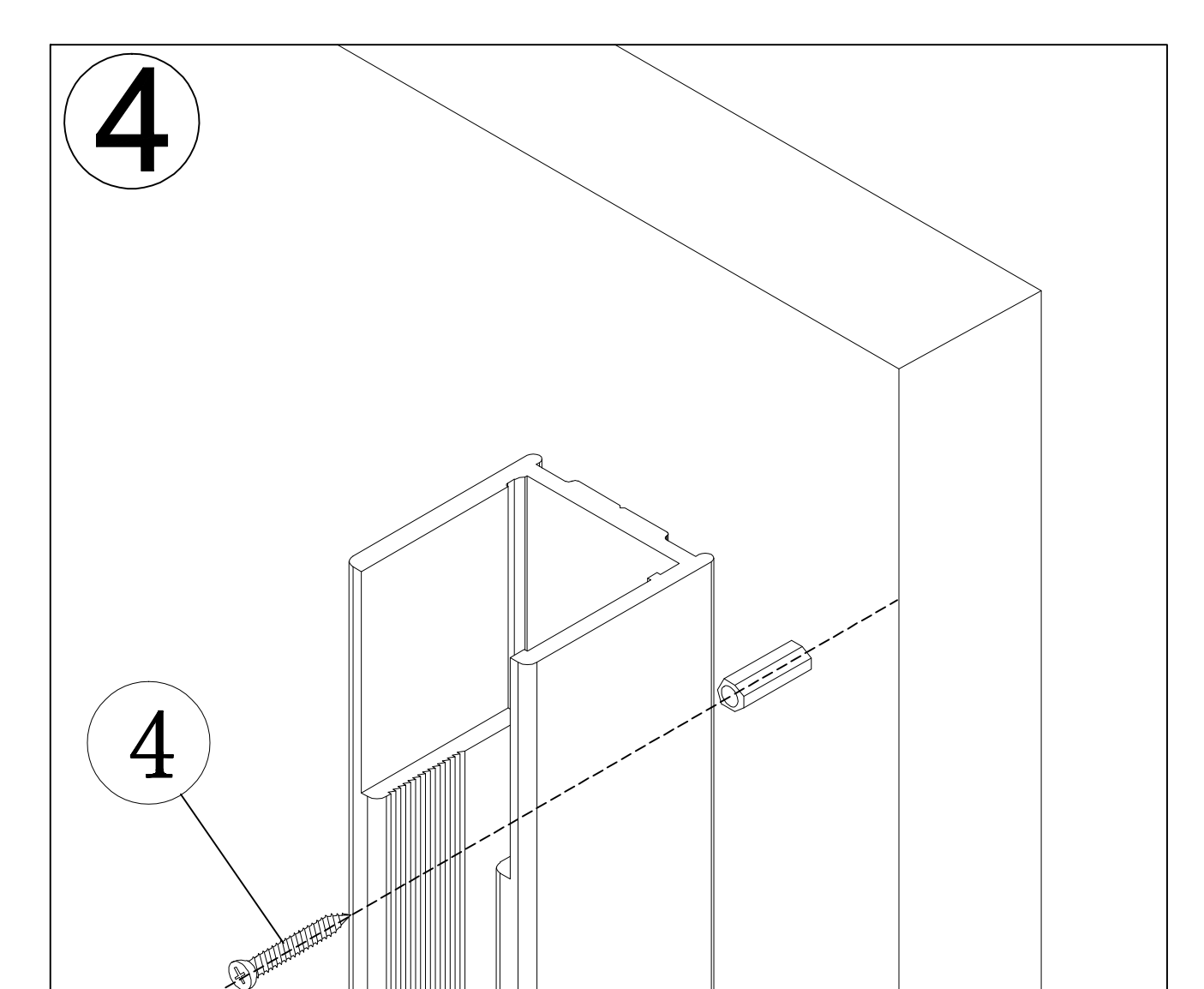
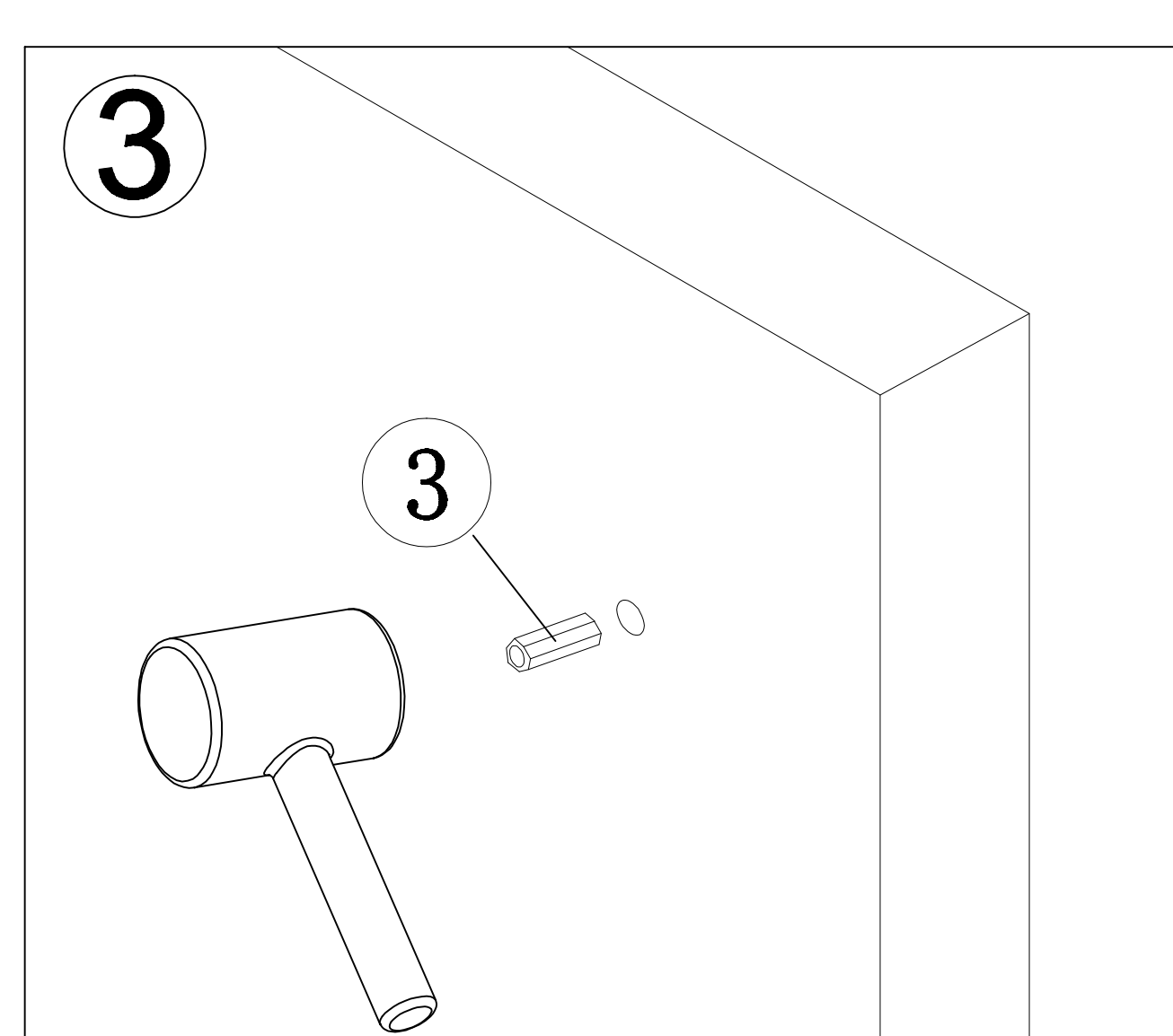
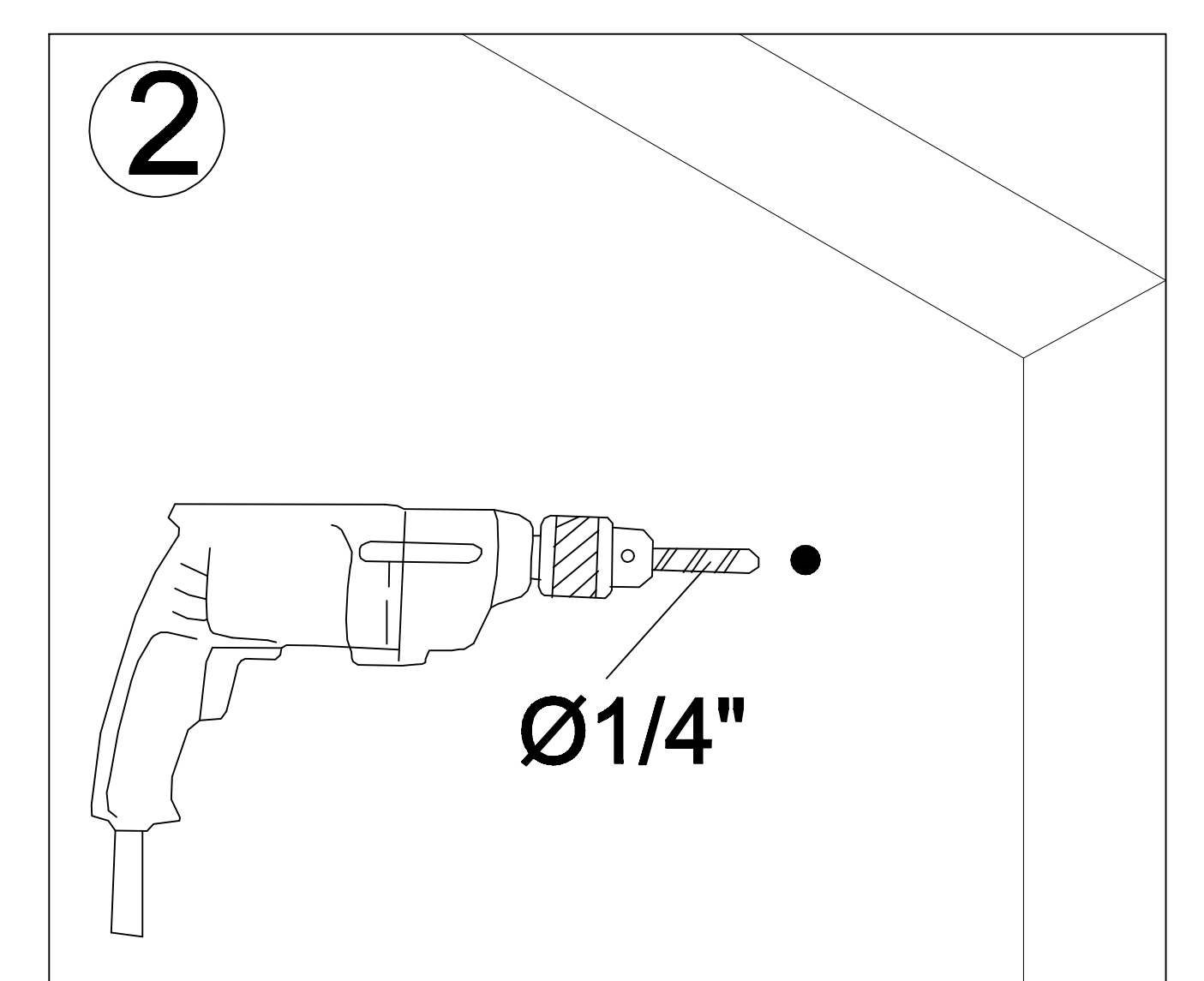
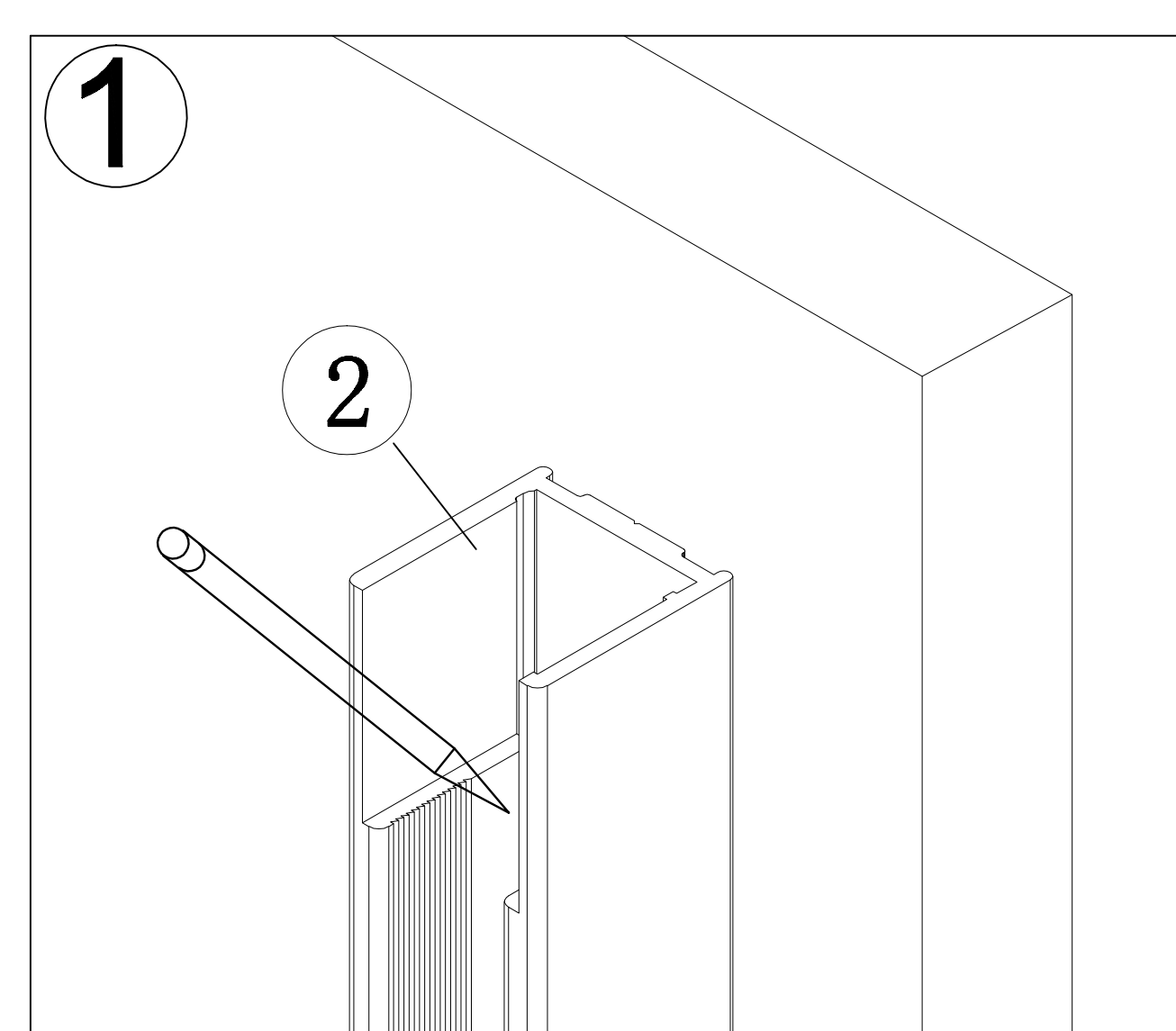
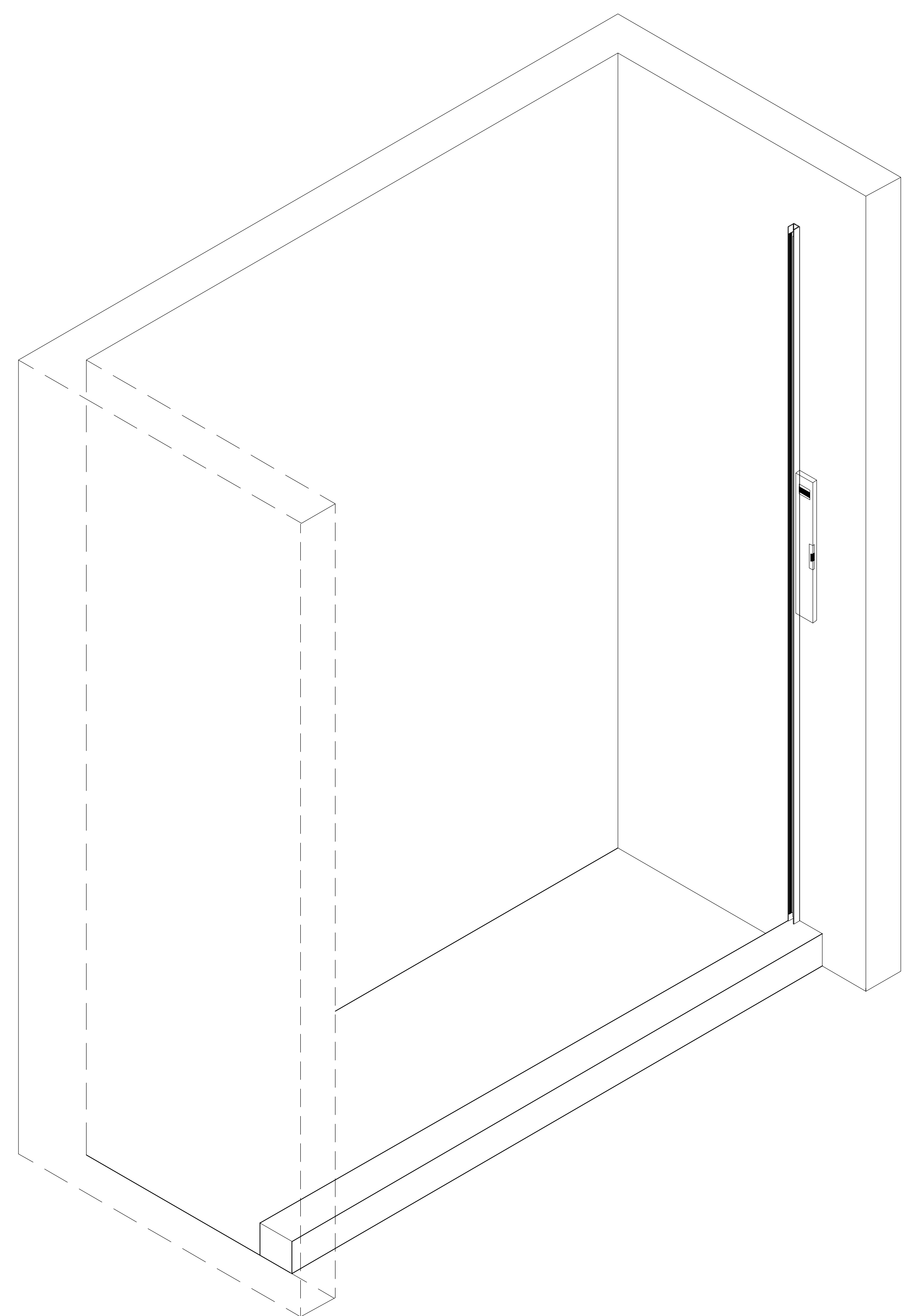
1. Use level to make sure Wall bracket A(2) sit straight, then mark the hole position with pencil.
2. Take off the Wall bracket A(2) and drill through the pencil markings.
3. Insert the plug(3) into the hole and use Rubber Mallet to hit it until it's fully in.
4. Align and use screw 4x30(4) to screw tight the Wall bracket A(2).



Right Hand Assembly

STEP 1

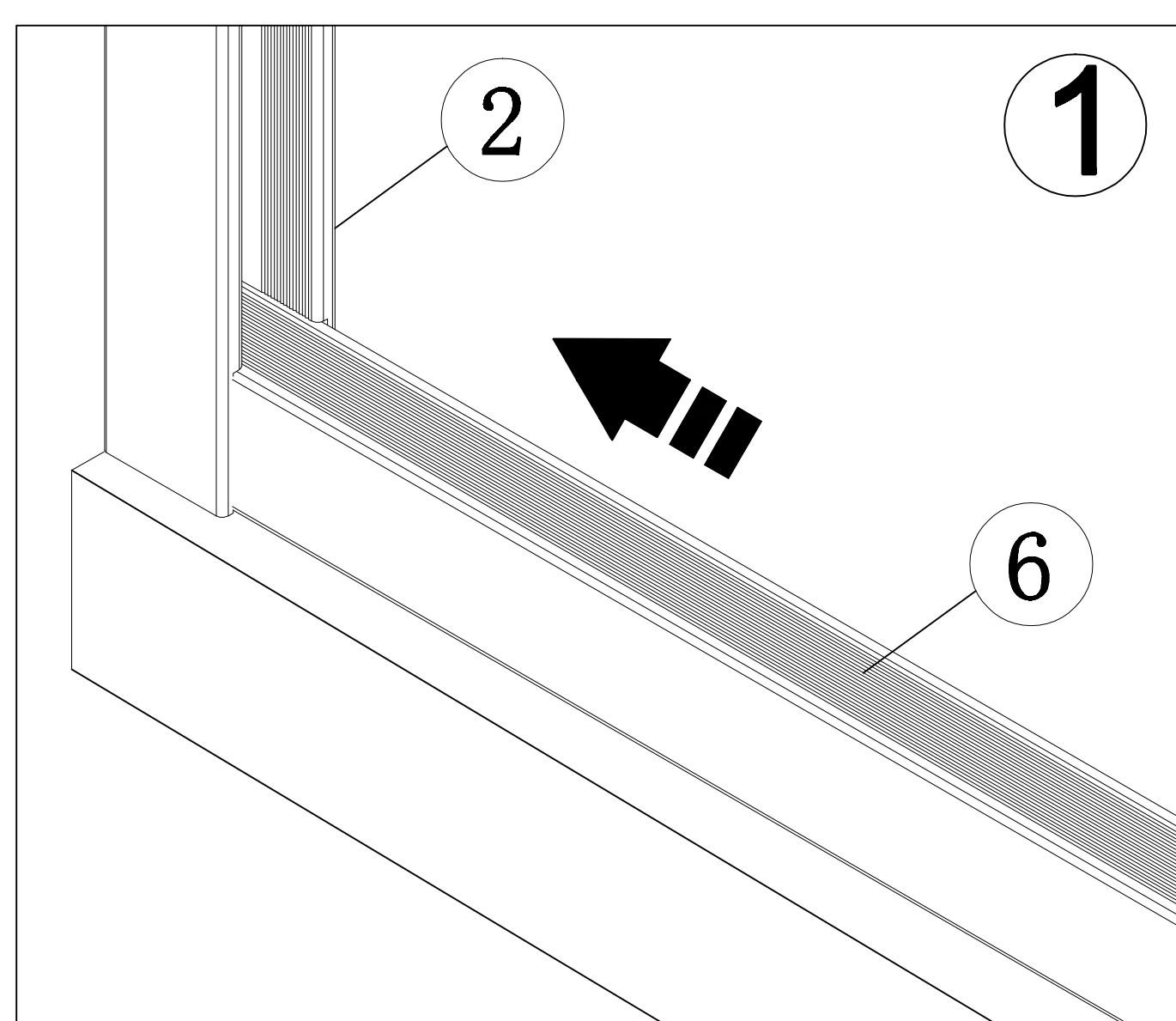
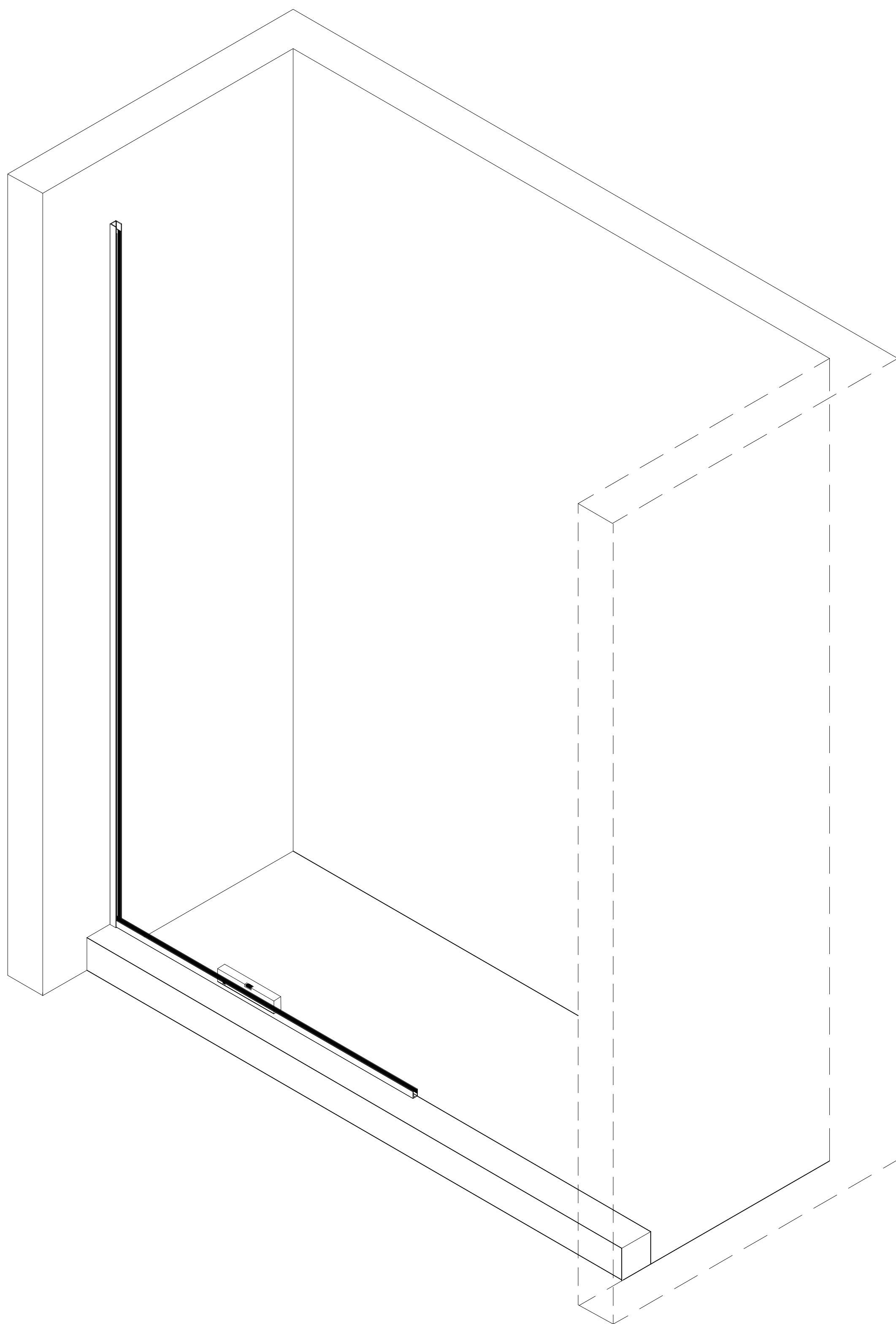
1. Use level to make sure Wall bracket A(2) sit straight, then mark the hole position with pencil.
2. Take off the Wall bracket A(2) and drill through the pencil markings.
3. Insert the plug(3) into the hole and use Rubber Mallet to hit it until it's fully in.
4. Align and use screw 4x30(4) to screw tight the Wall bracket A(2).



Left Hand Assembly

STEP 2

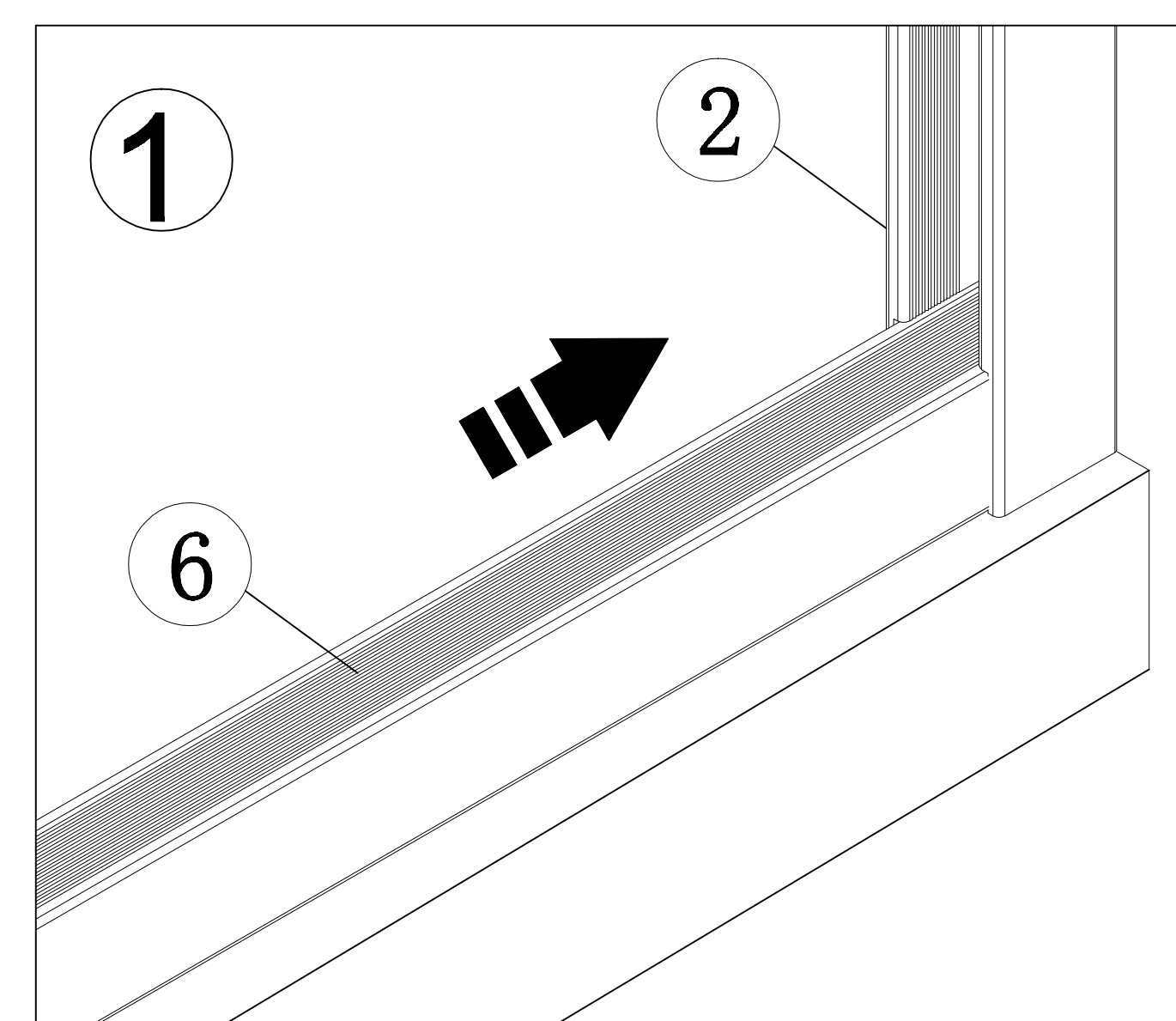
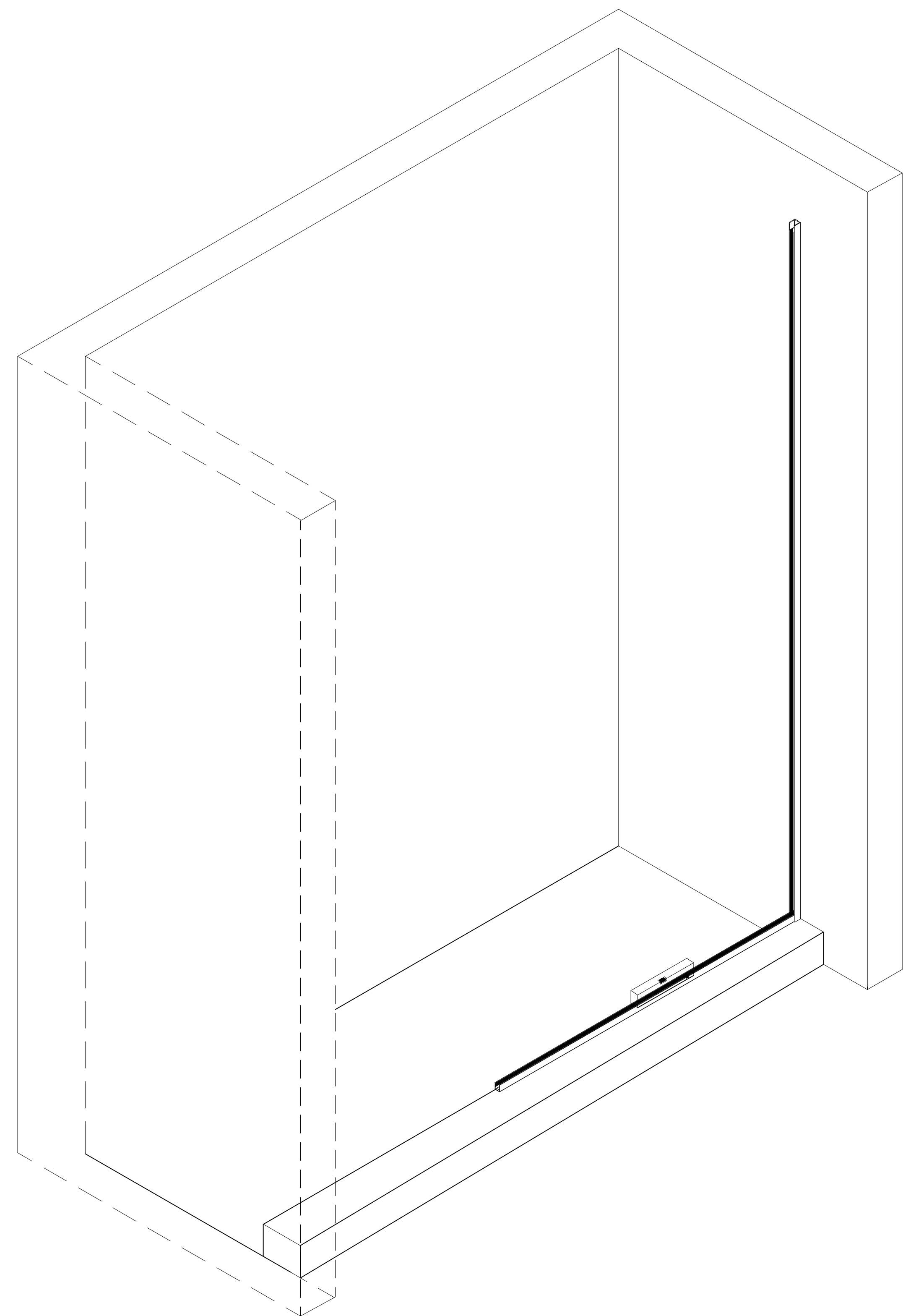
1. Put Bottom aluminum U channel(6) on the shower base and push it into the bottom slot of Wall bracket A(2).



Right Hand Assembly

STEP 2

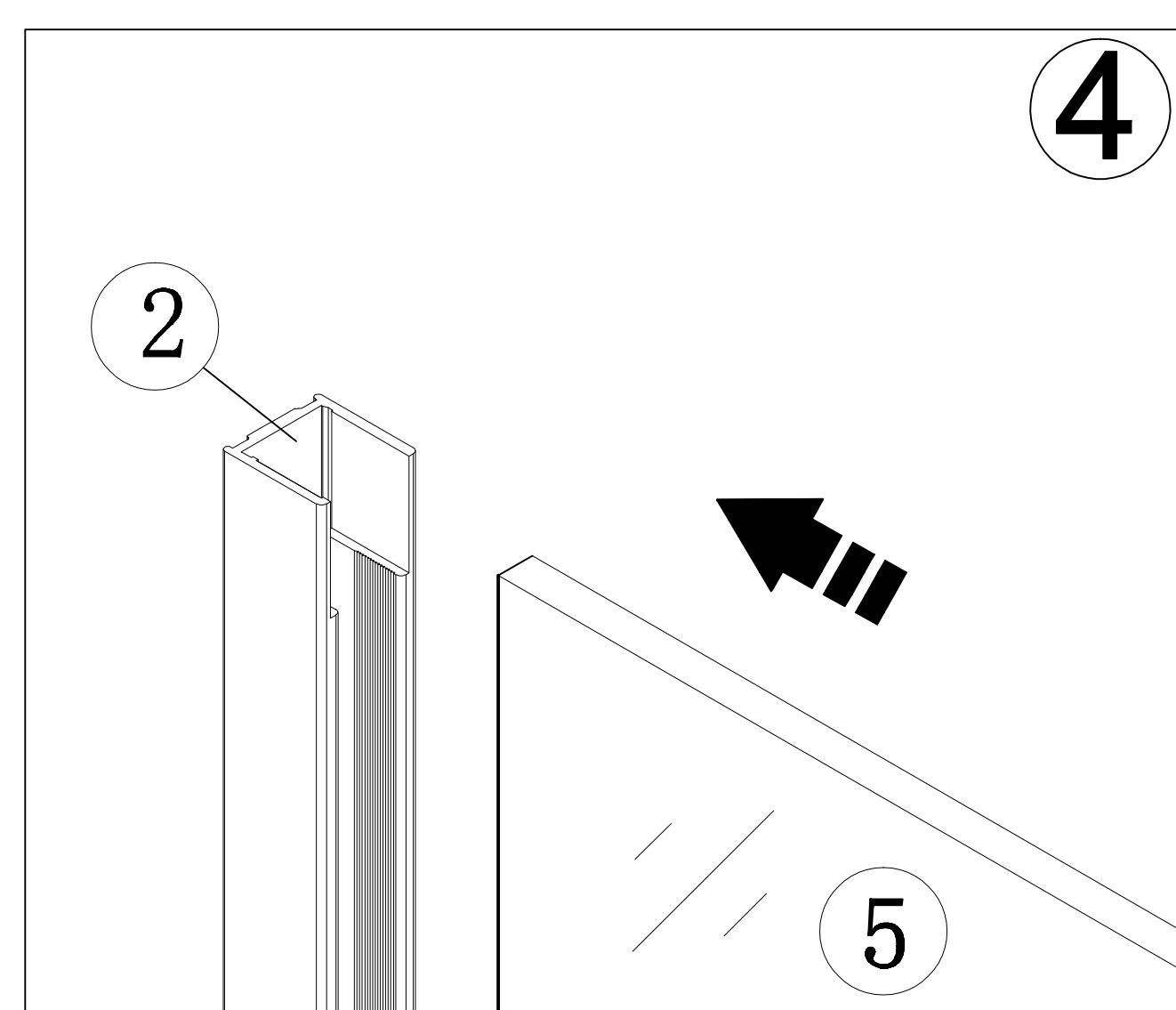
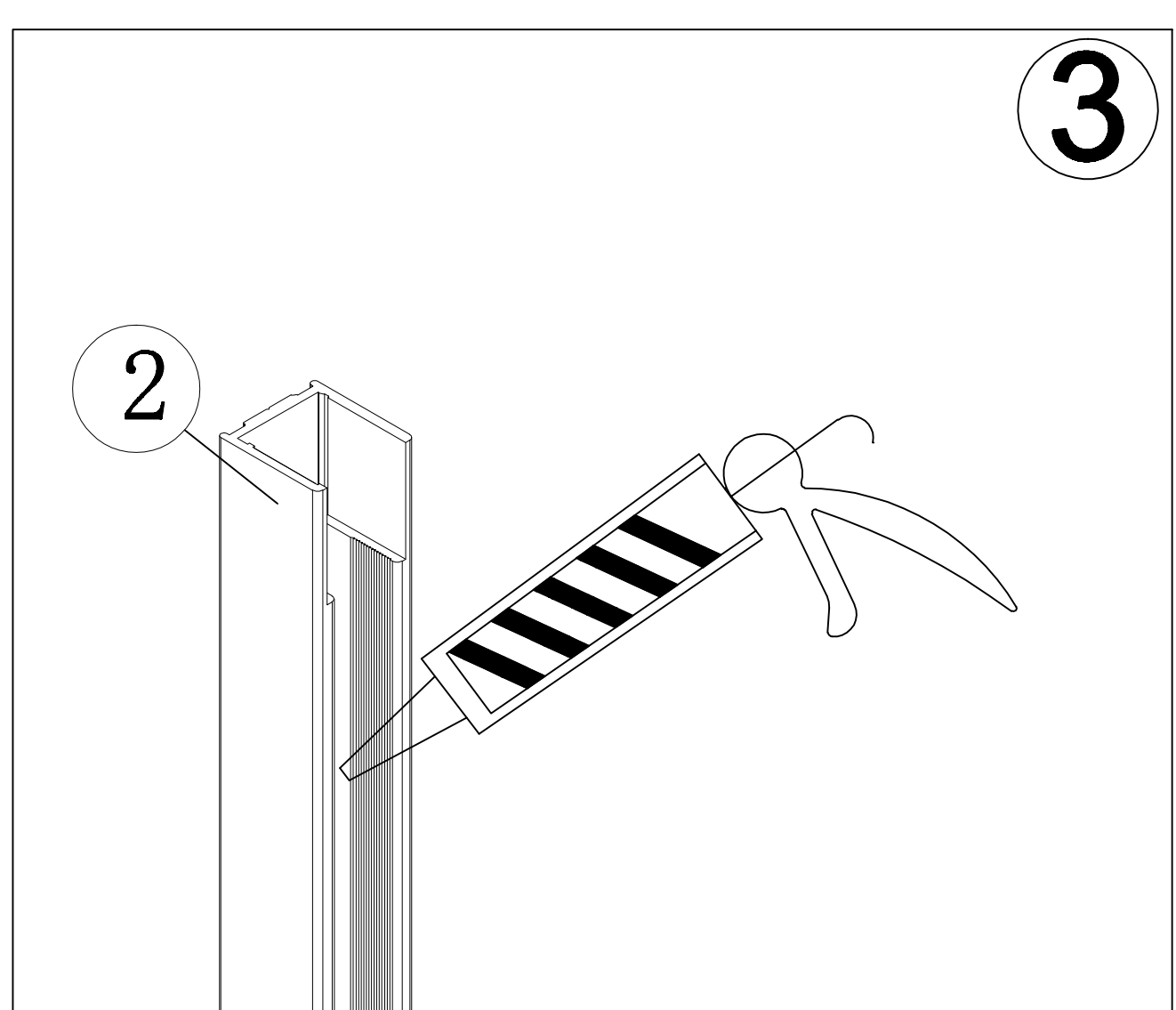
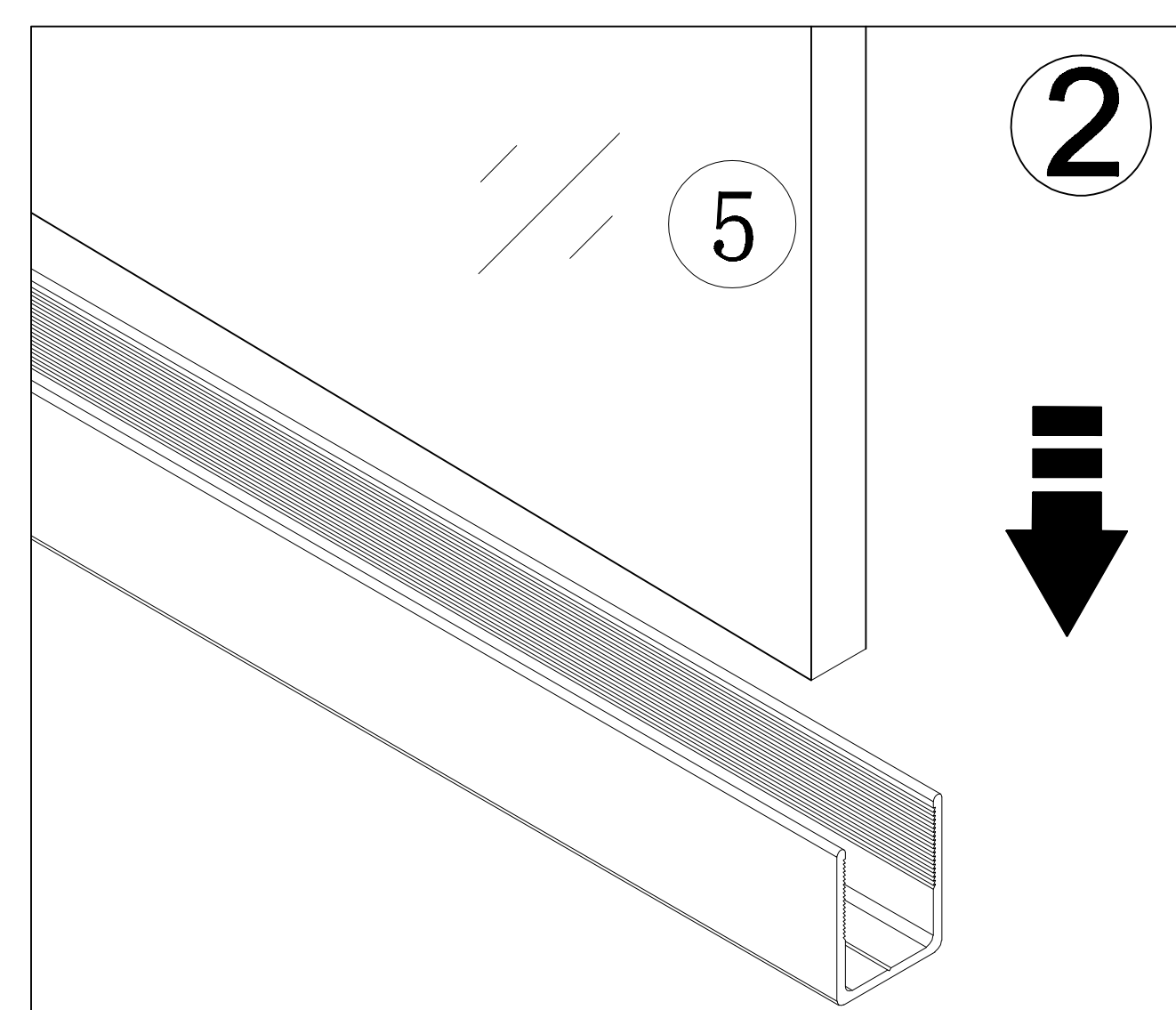
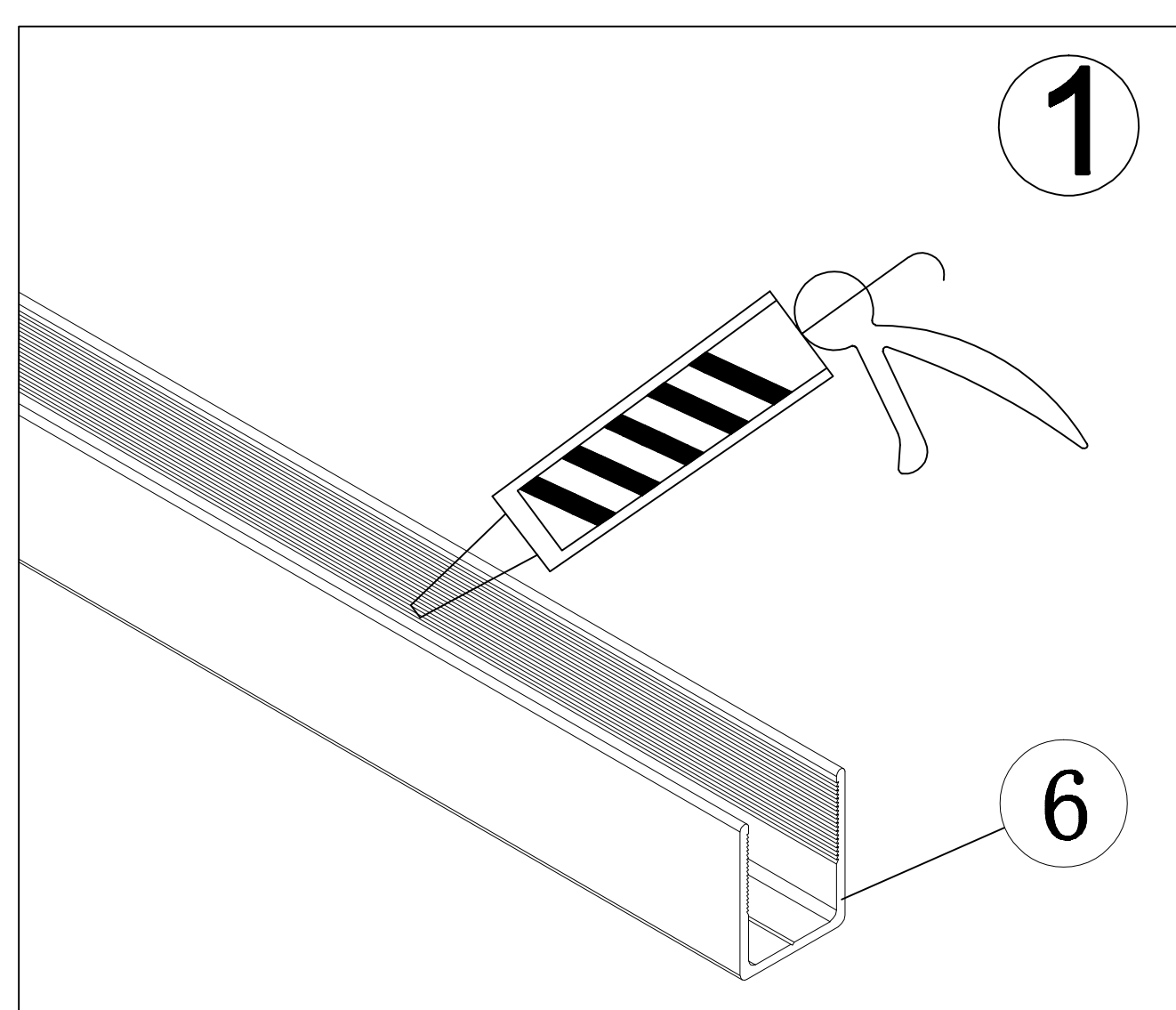
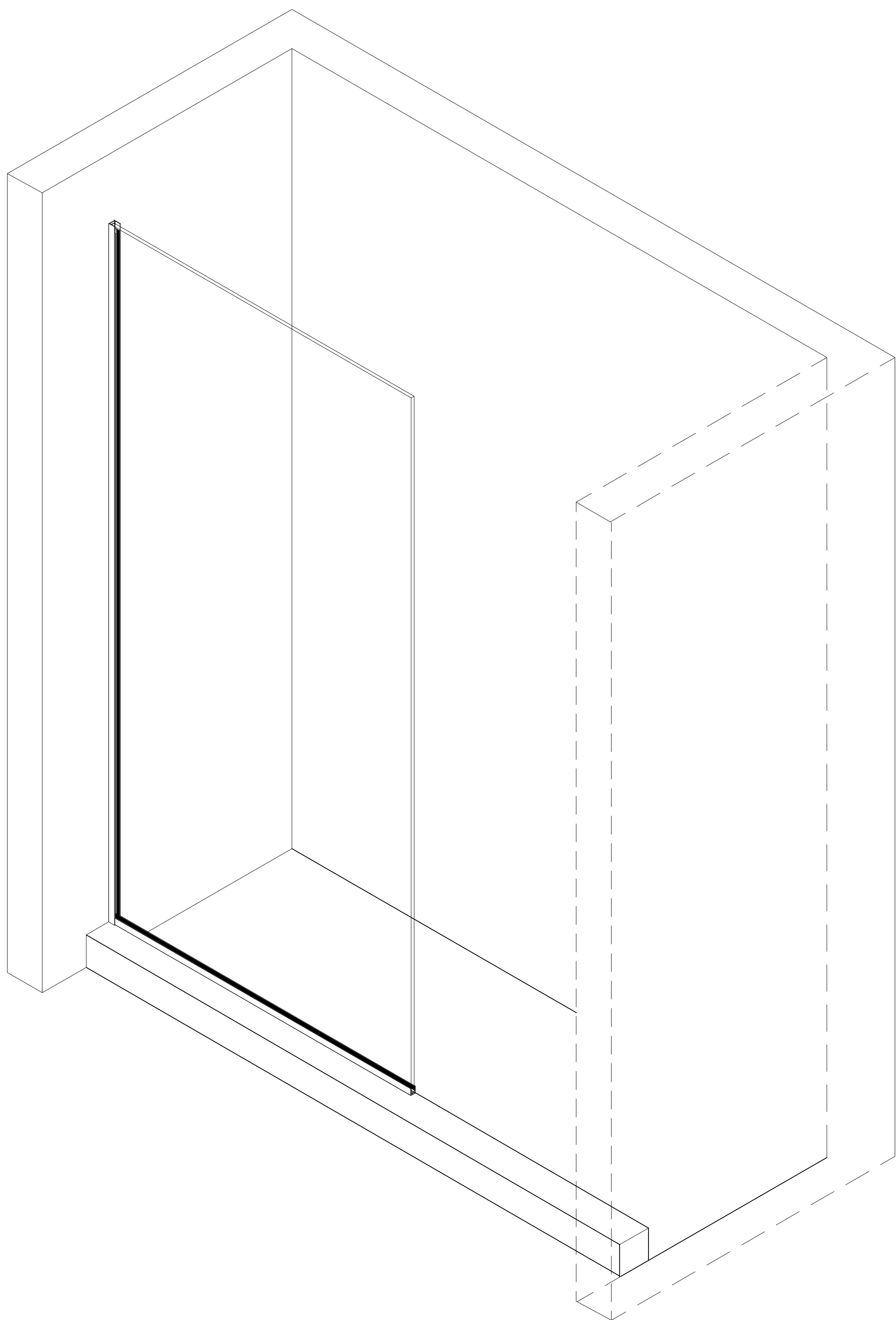
1. Put Bottom aluminum U channel(6) on the shower base and push it into the bottom slot of Wall bracket A(2).



Left Hand Assembly

STEP 3

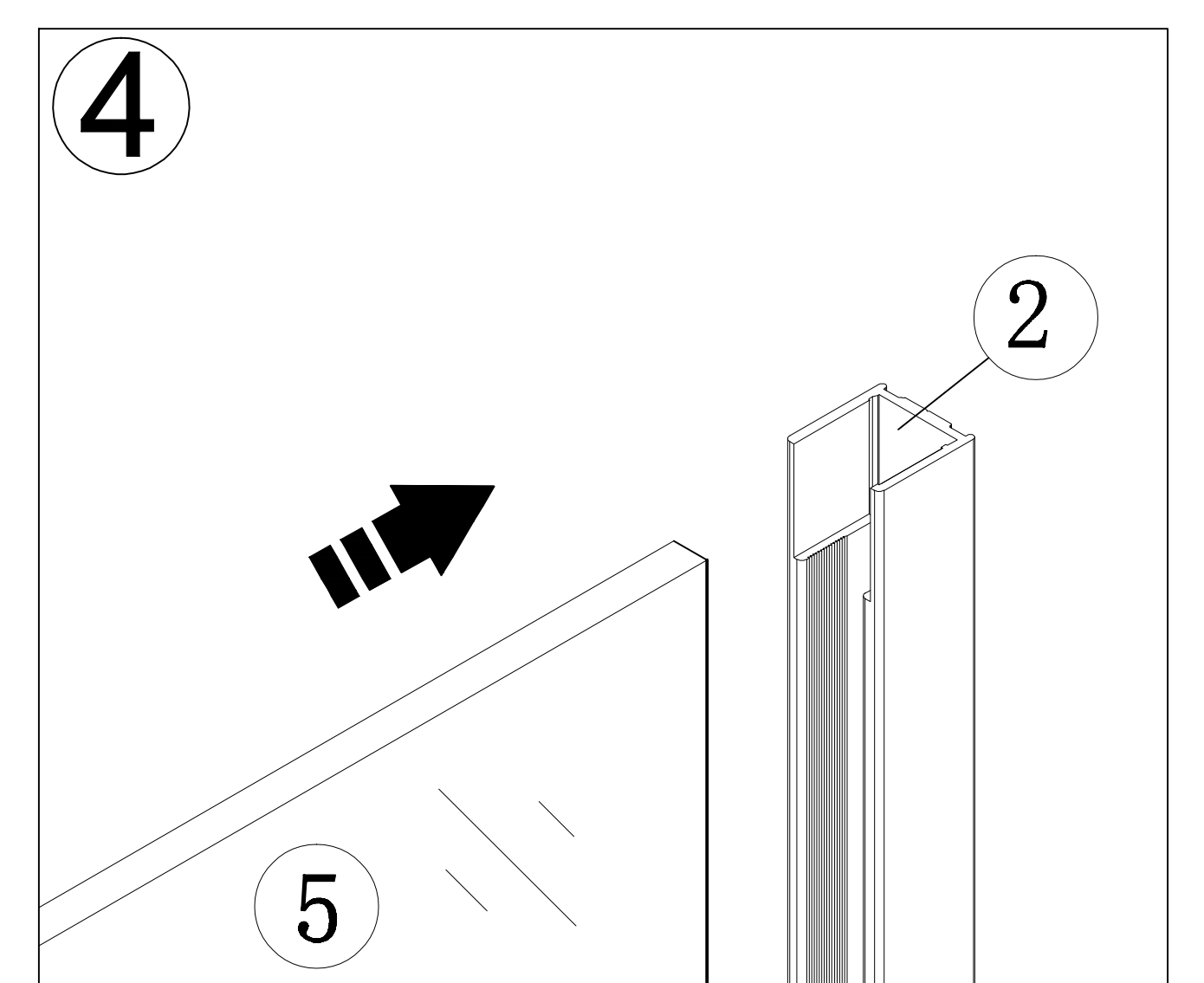
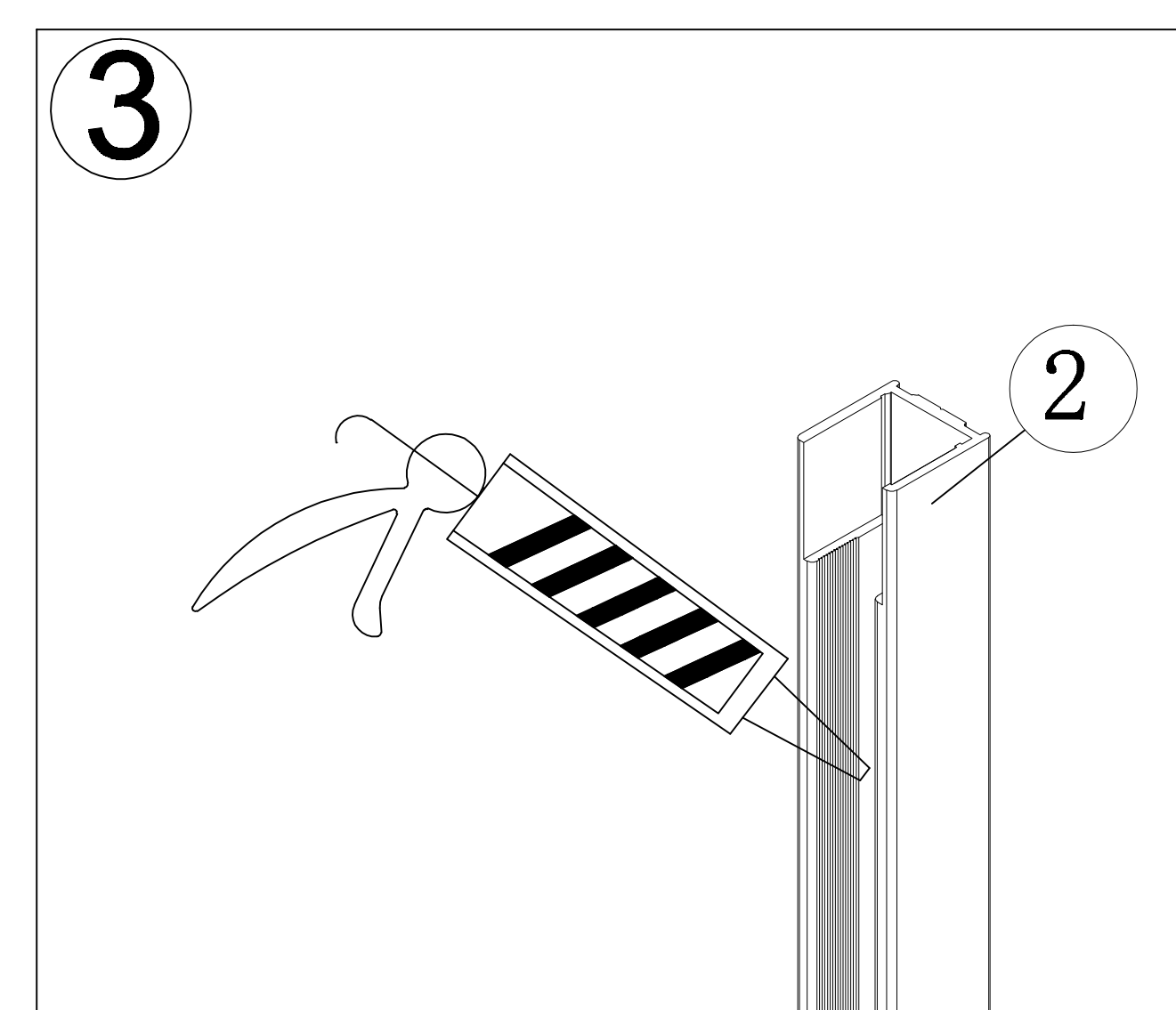
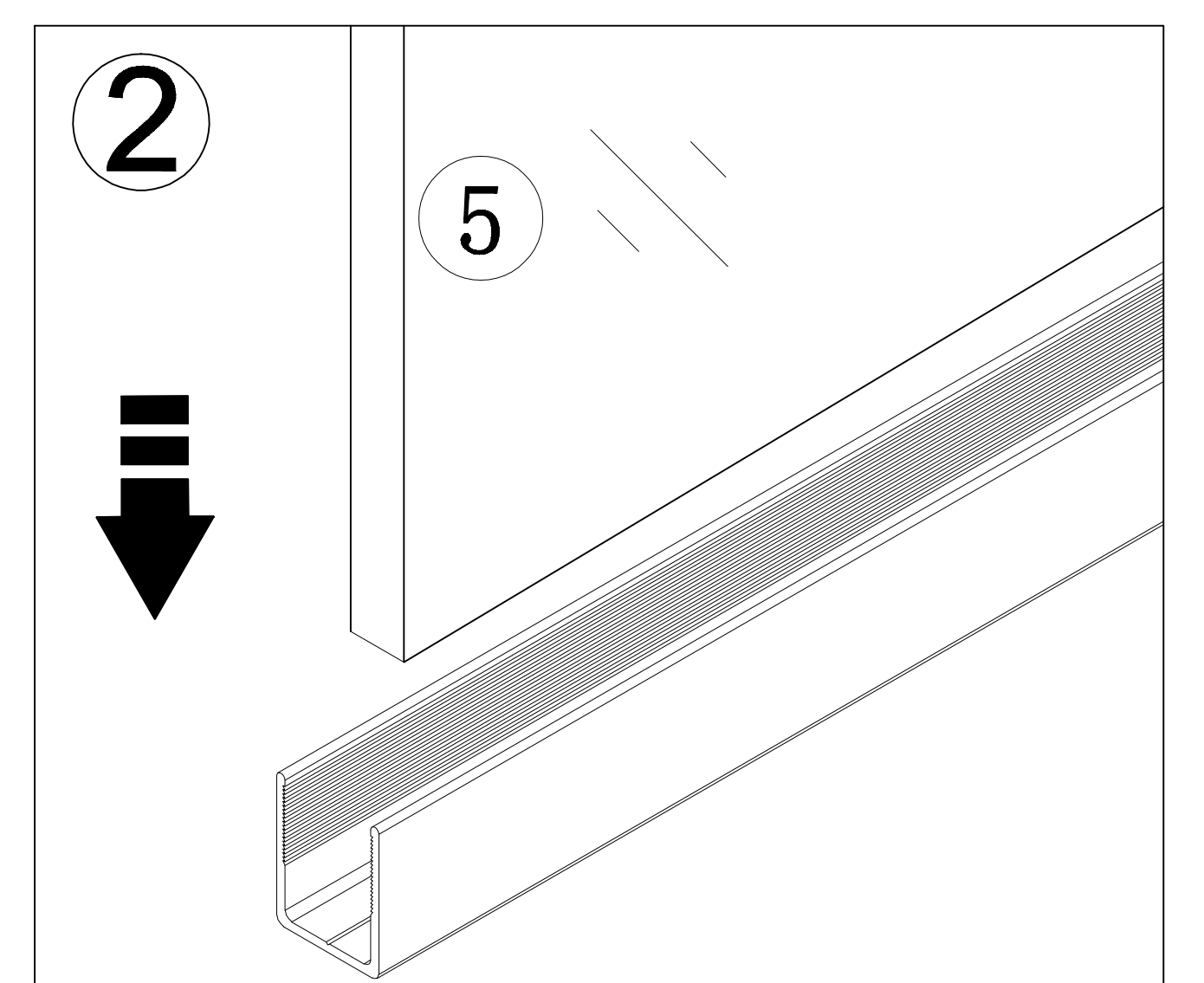
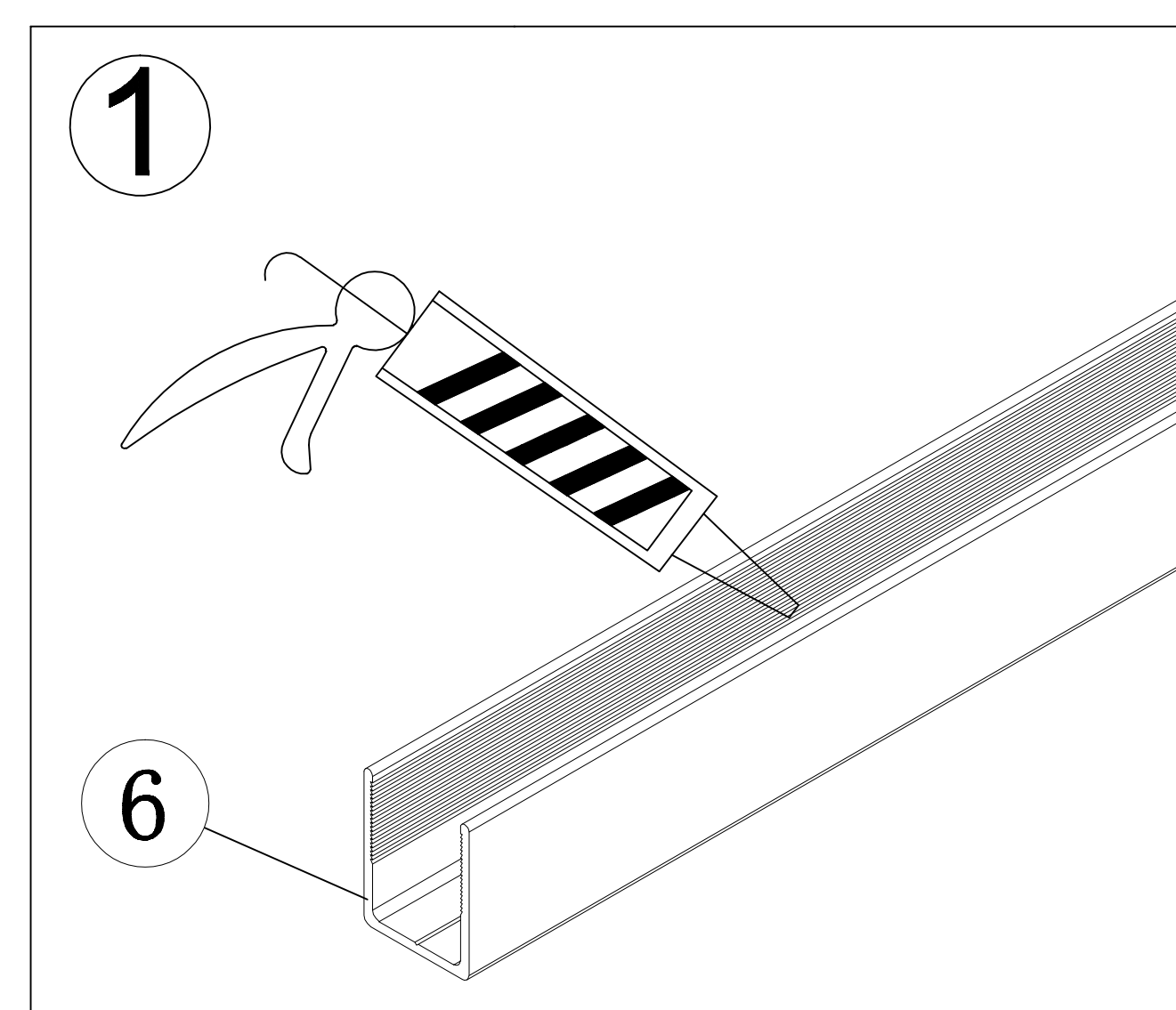
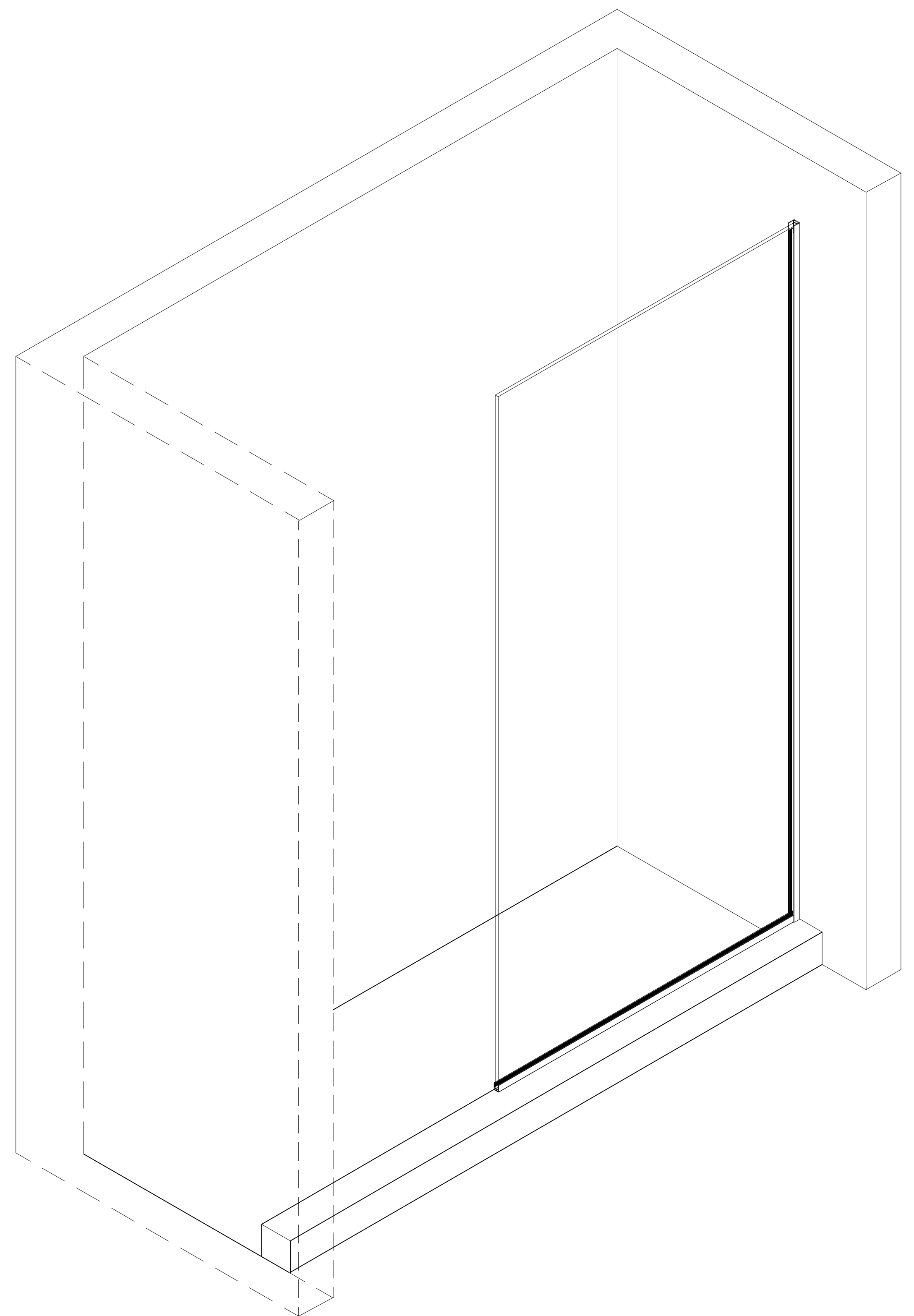
1. Fill the Bottom aluminum U channel(6) with a small amount of silicone.
2. Insert the glass shower screen(5) into Bottom aluminum U channel(6).
3. Fill the inner groove of wall bracket A(2) with a small amount of silicone.
4. Insert the glass shower screen(5) into wall bracket A(2).



Right Hand Assembly

STEP 3

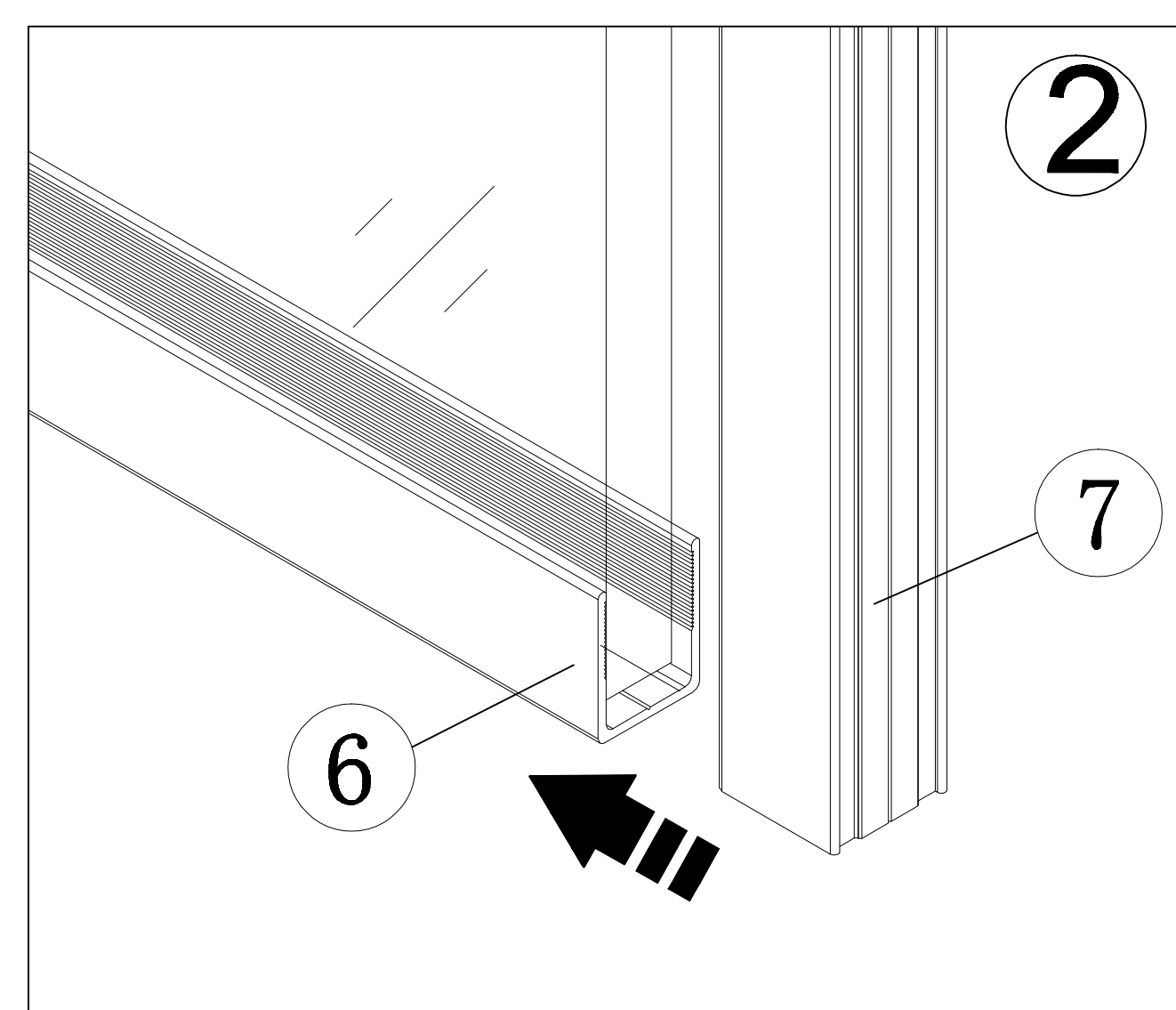
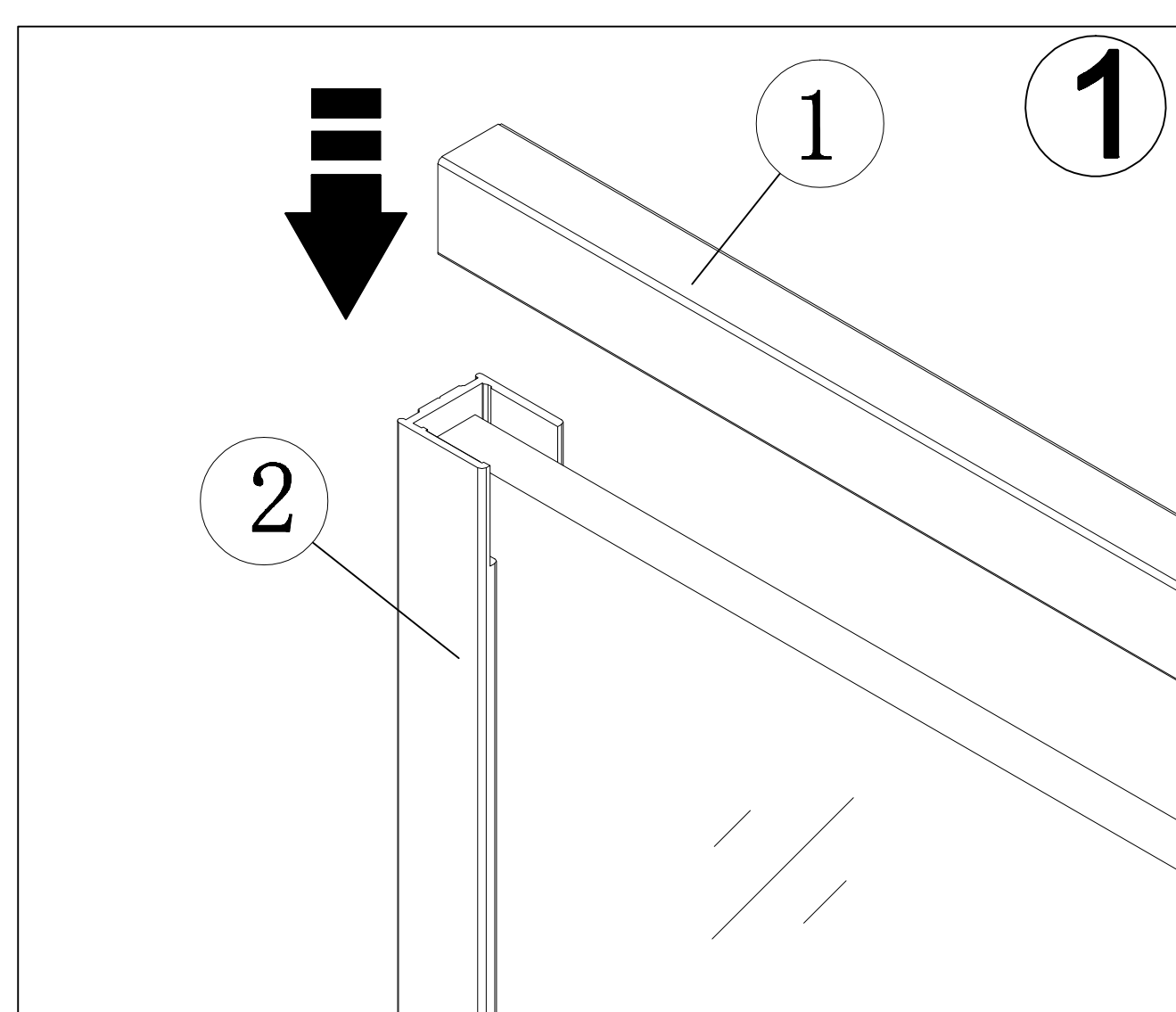
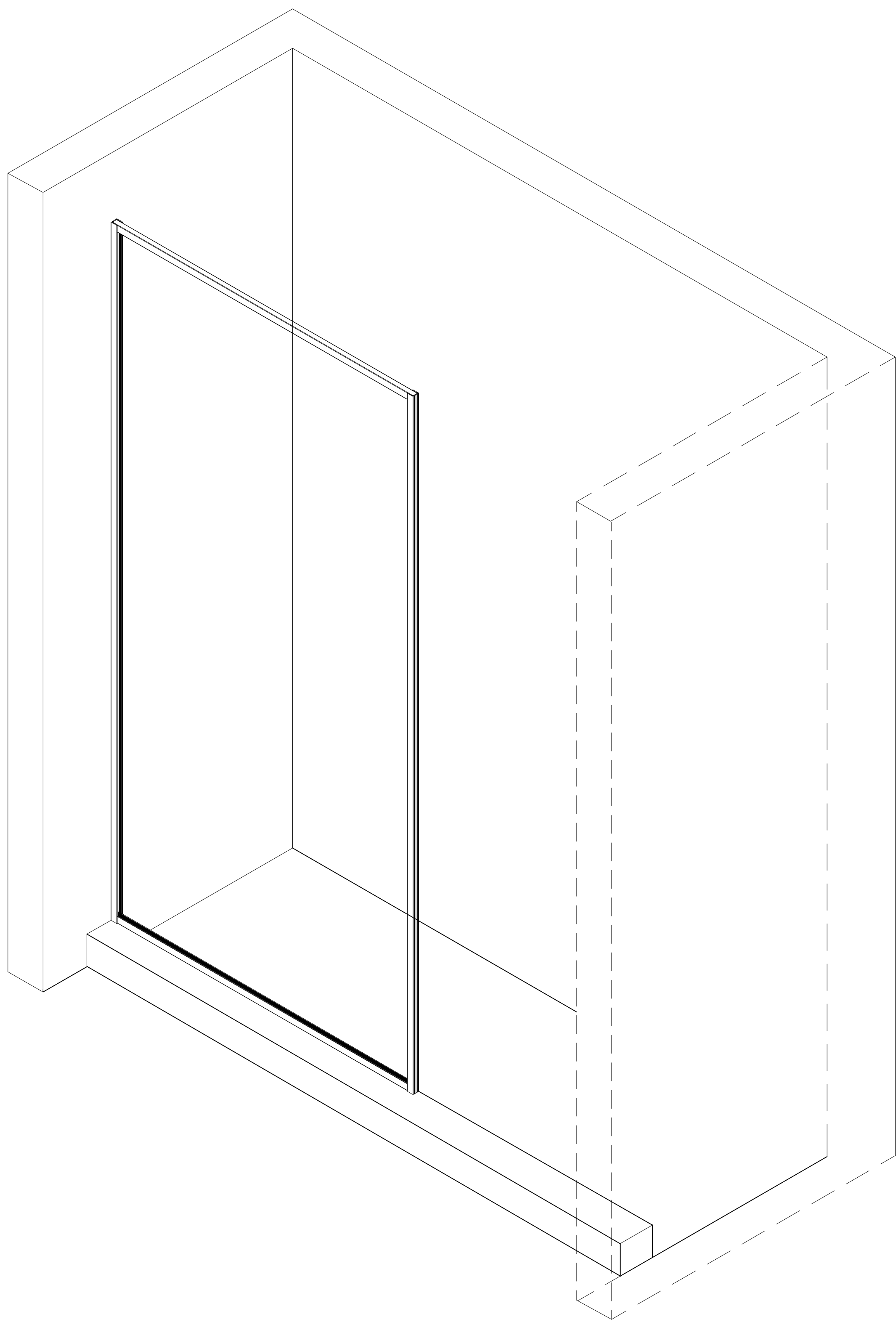
1. Fill the bottom of Bottom aluminum U channel(6) with a small amount of silicone.
2. Insert the glass shower screen(5) into Bottom aluminum U channel(6).
3. Fill the inner groove of wall bracket A(2) with a small amount of silicone.
4. Insert the glass shower screen(5) into wall bracket A(2).



Left Hand Assembly

STEP 4

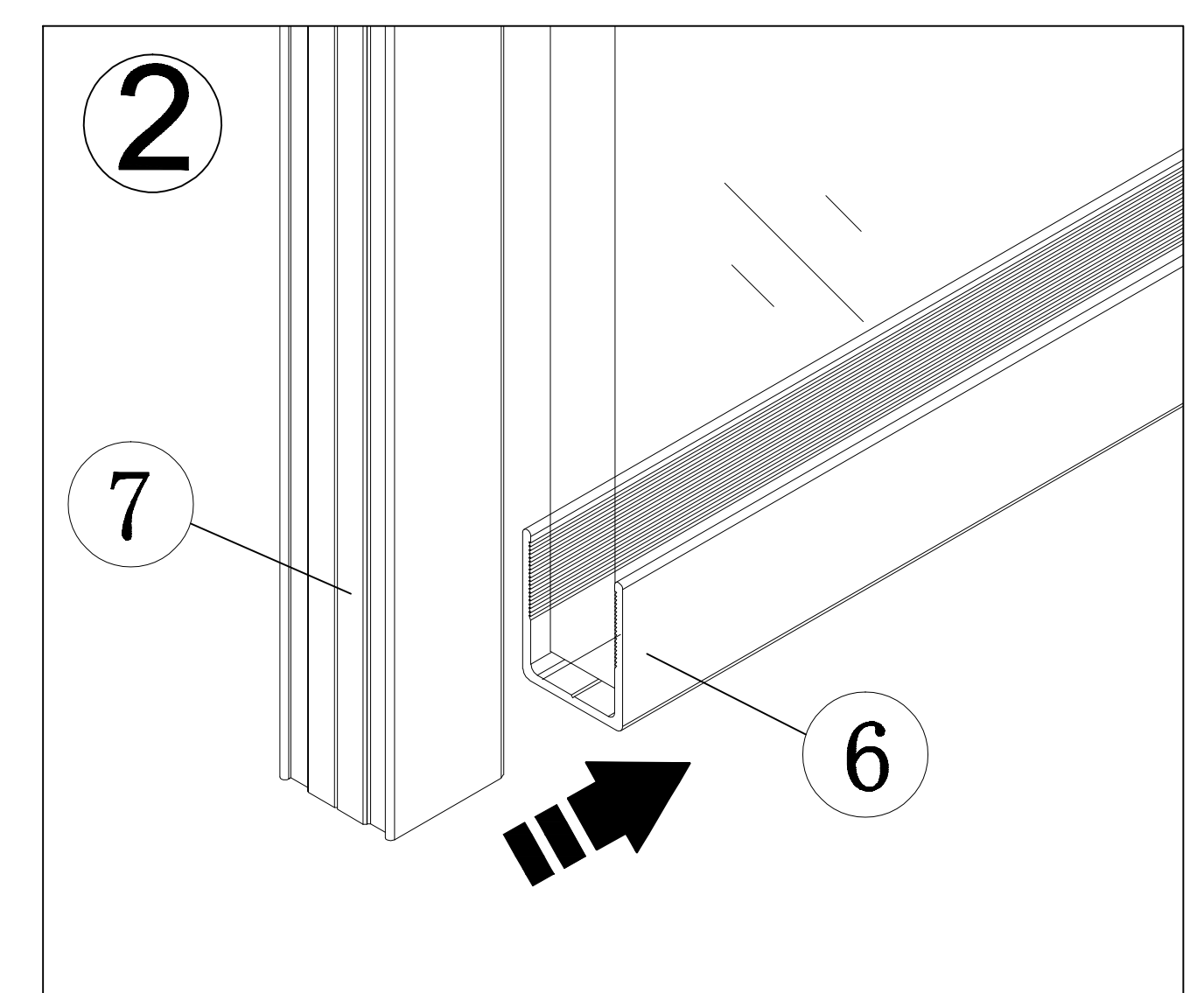
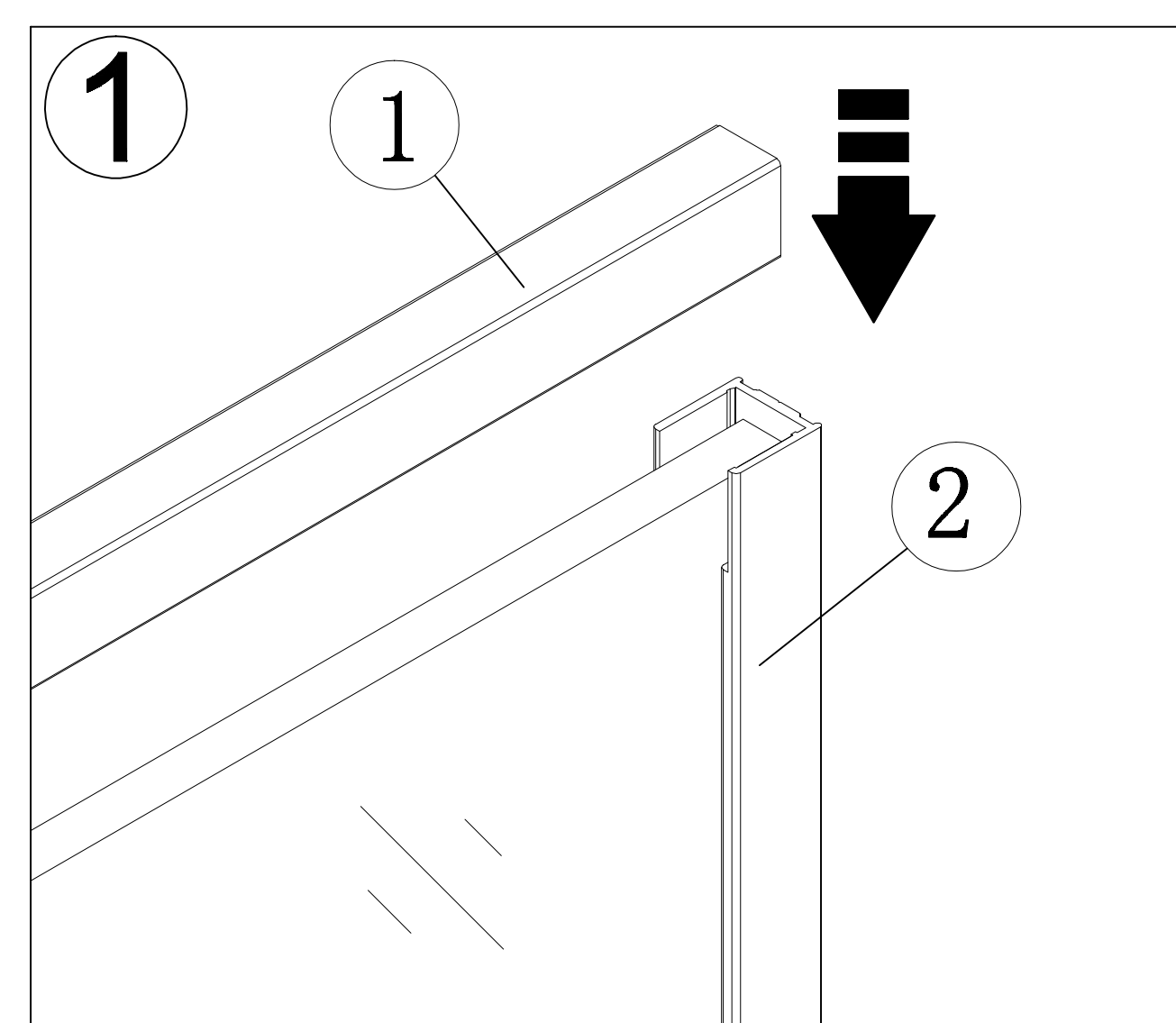
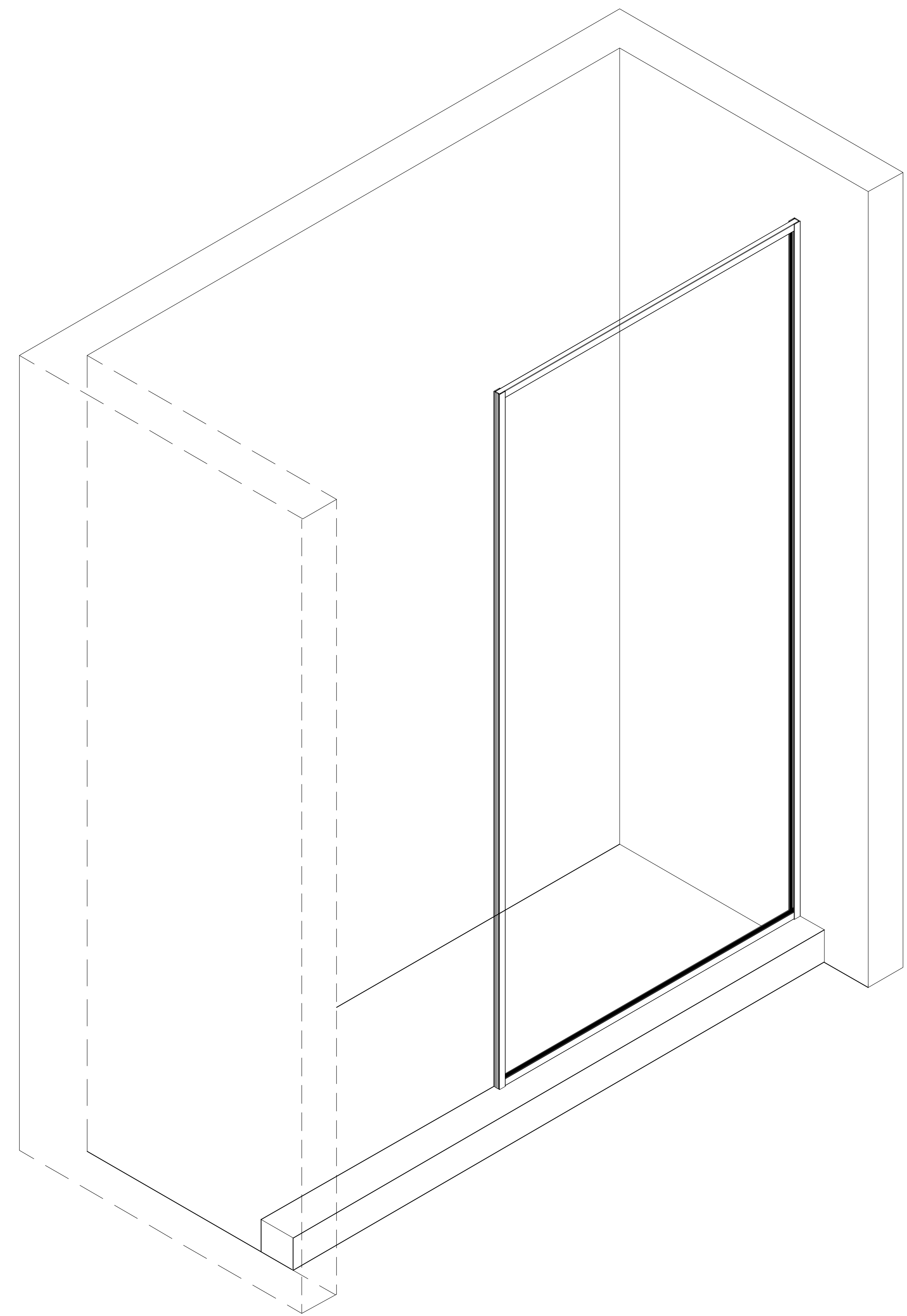
1. Push Top aluminum U channel(1) into Wall bracket A(2).
2. Insert wall bracket B(7) into Bottom aluminum U channel(6).



Right Hand Assembly

STEP 4

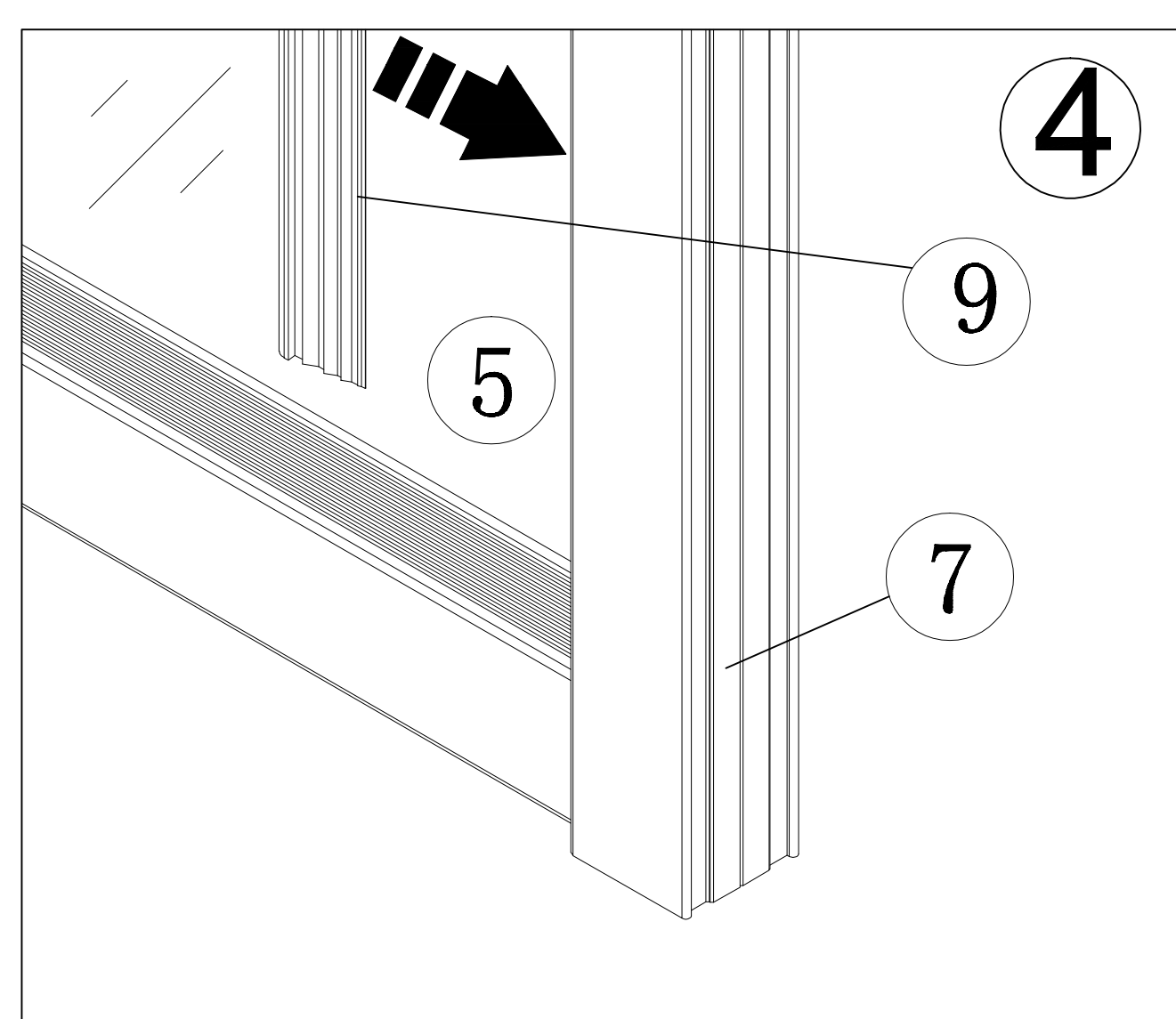
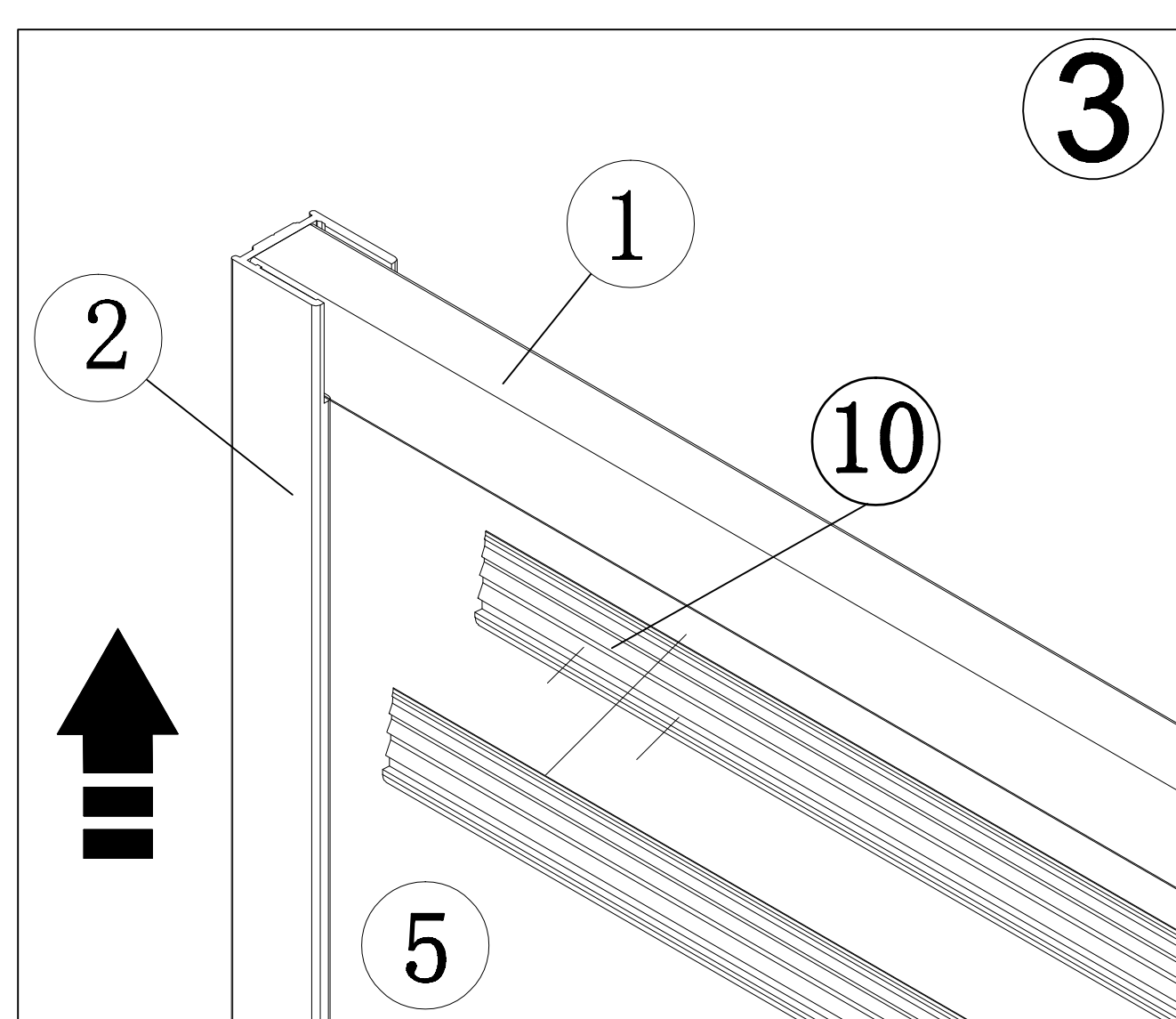
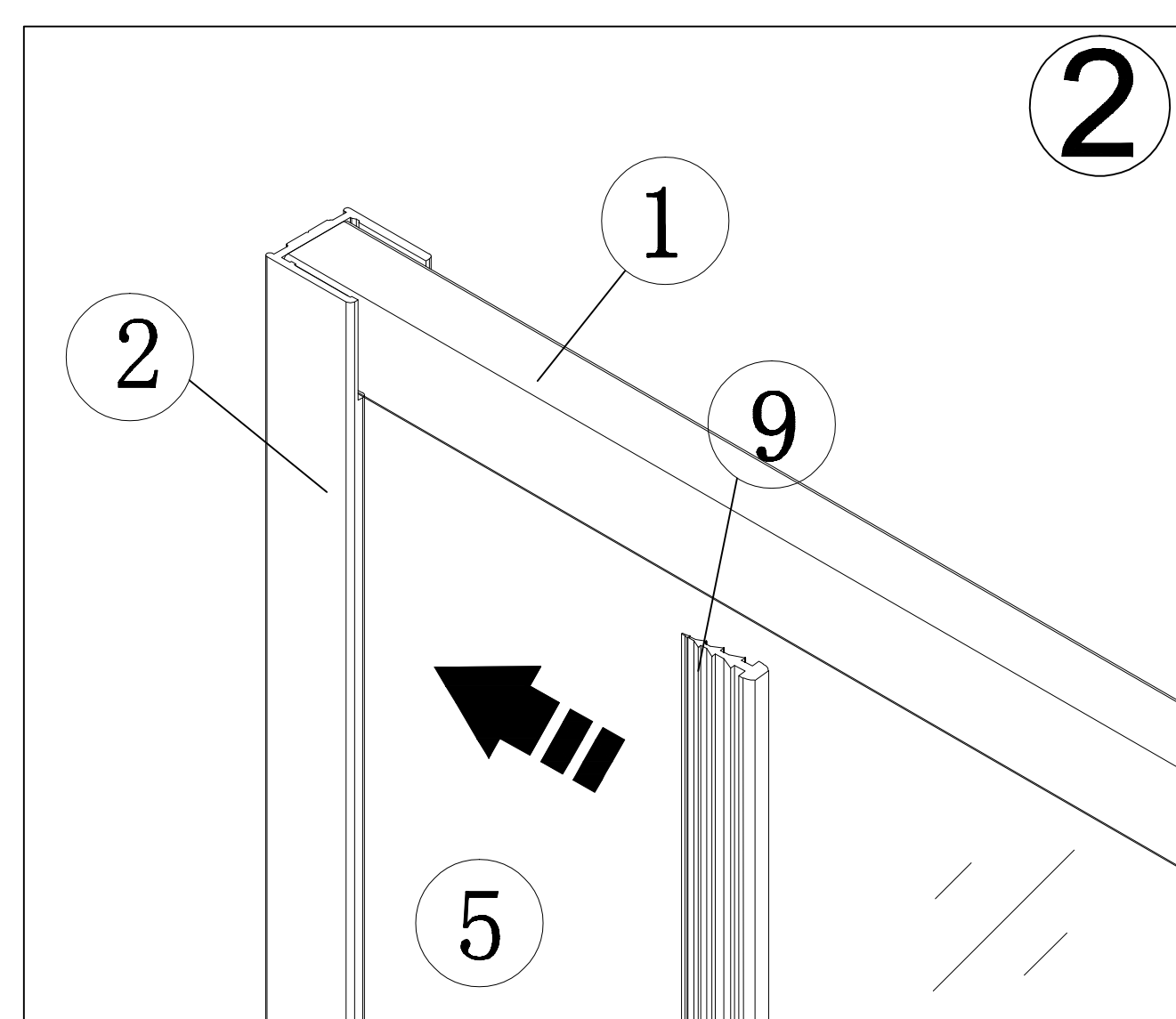
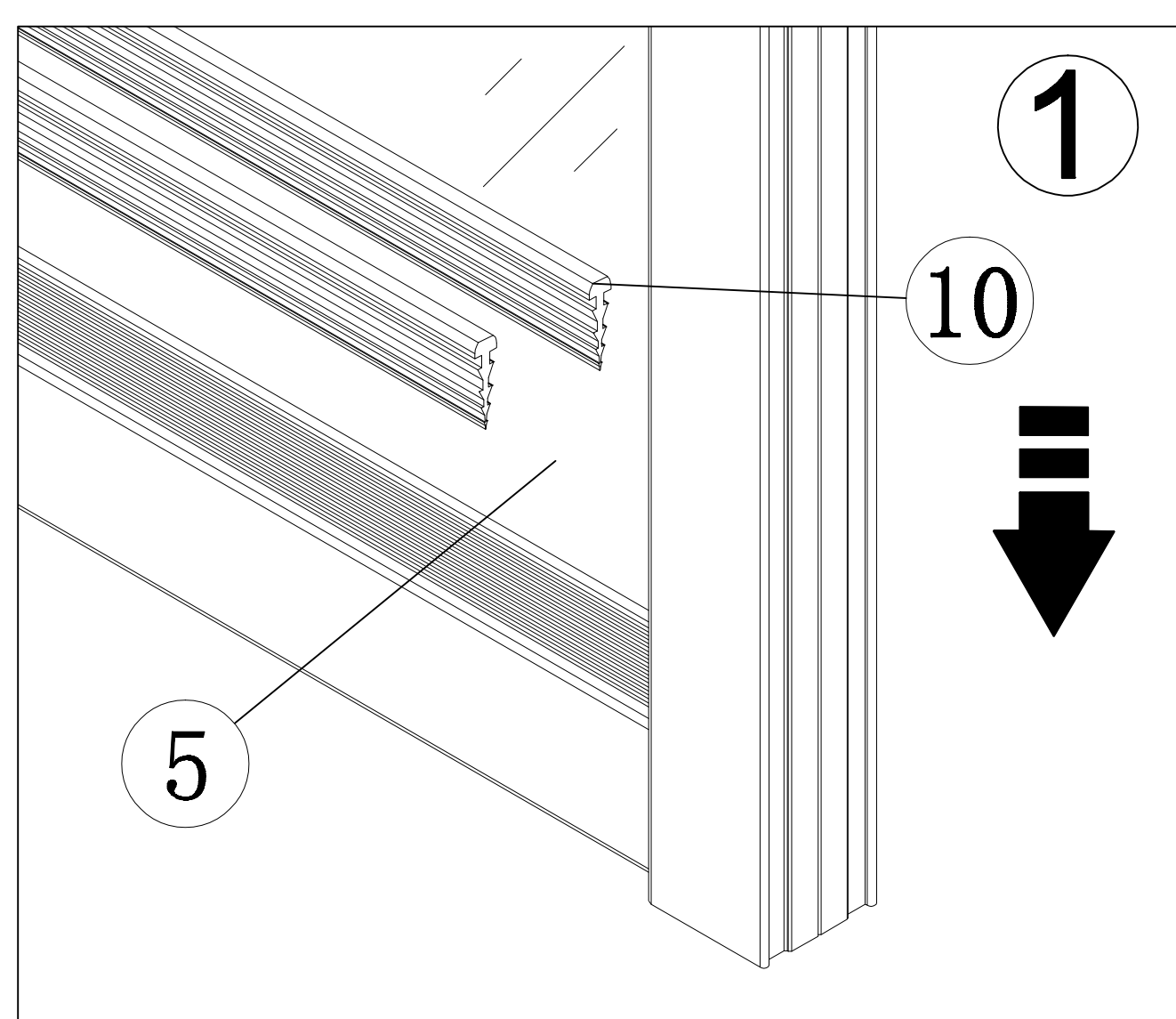
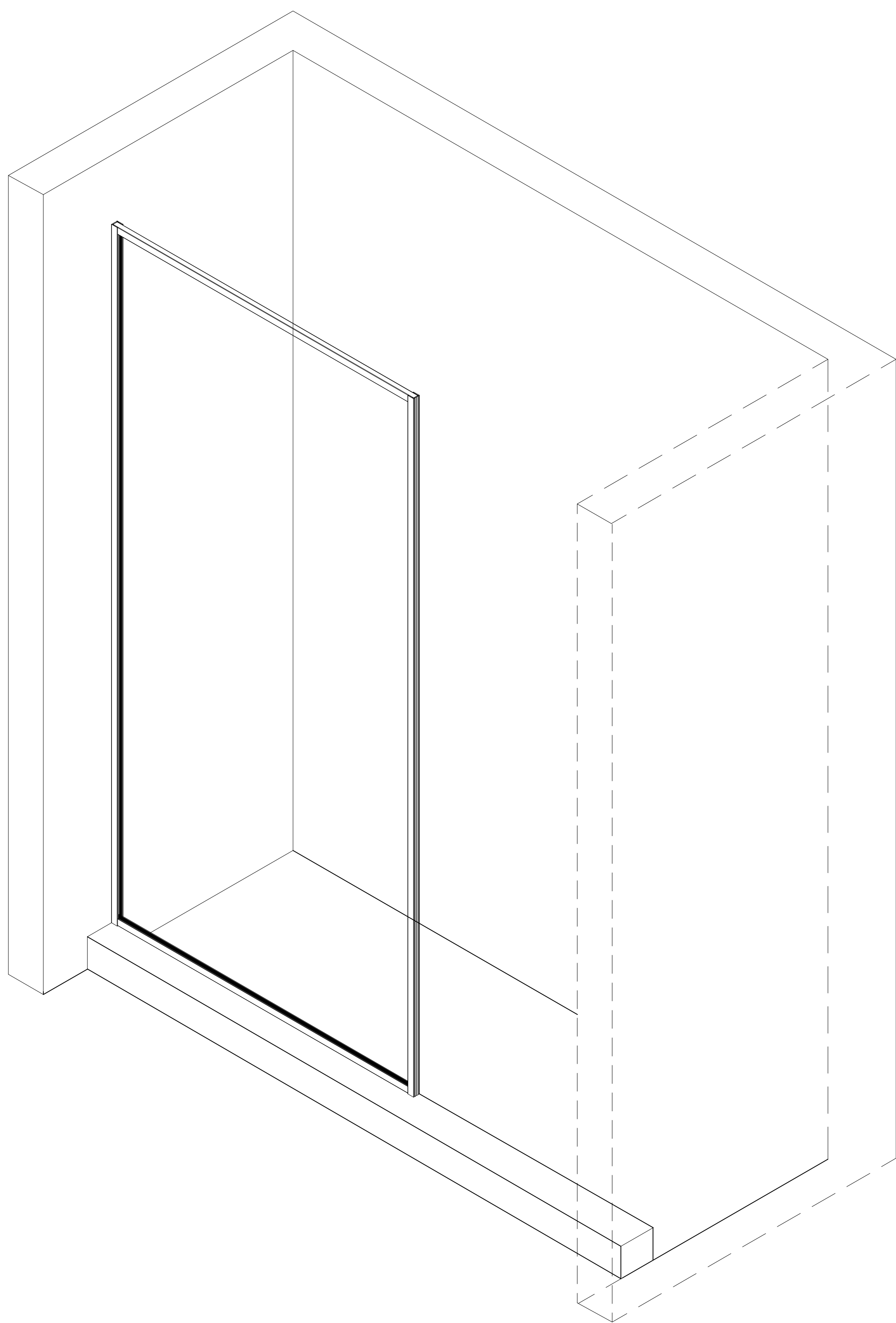
1. Push Top aluminum U channel(1) into Wall bracket A(2).
2. Insert wall bracket B(7) into Bottom aluminum U channel(6).



Left Hand Assembly

STEP 5

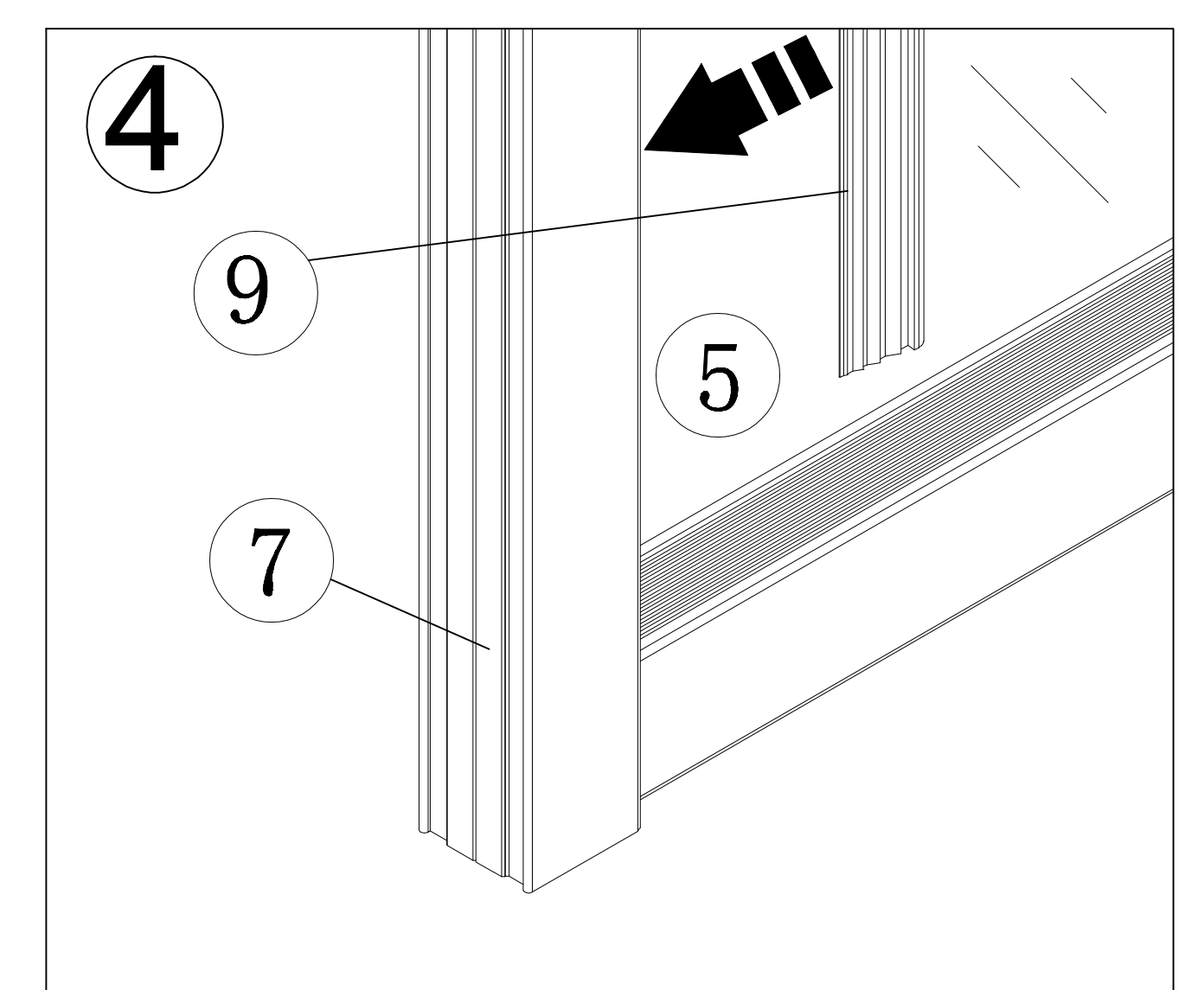
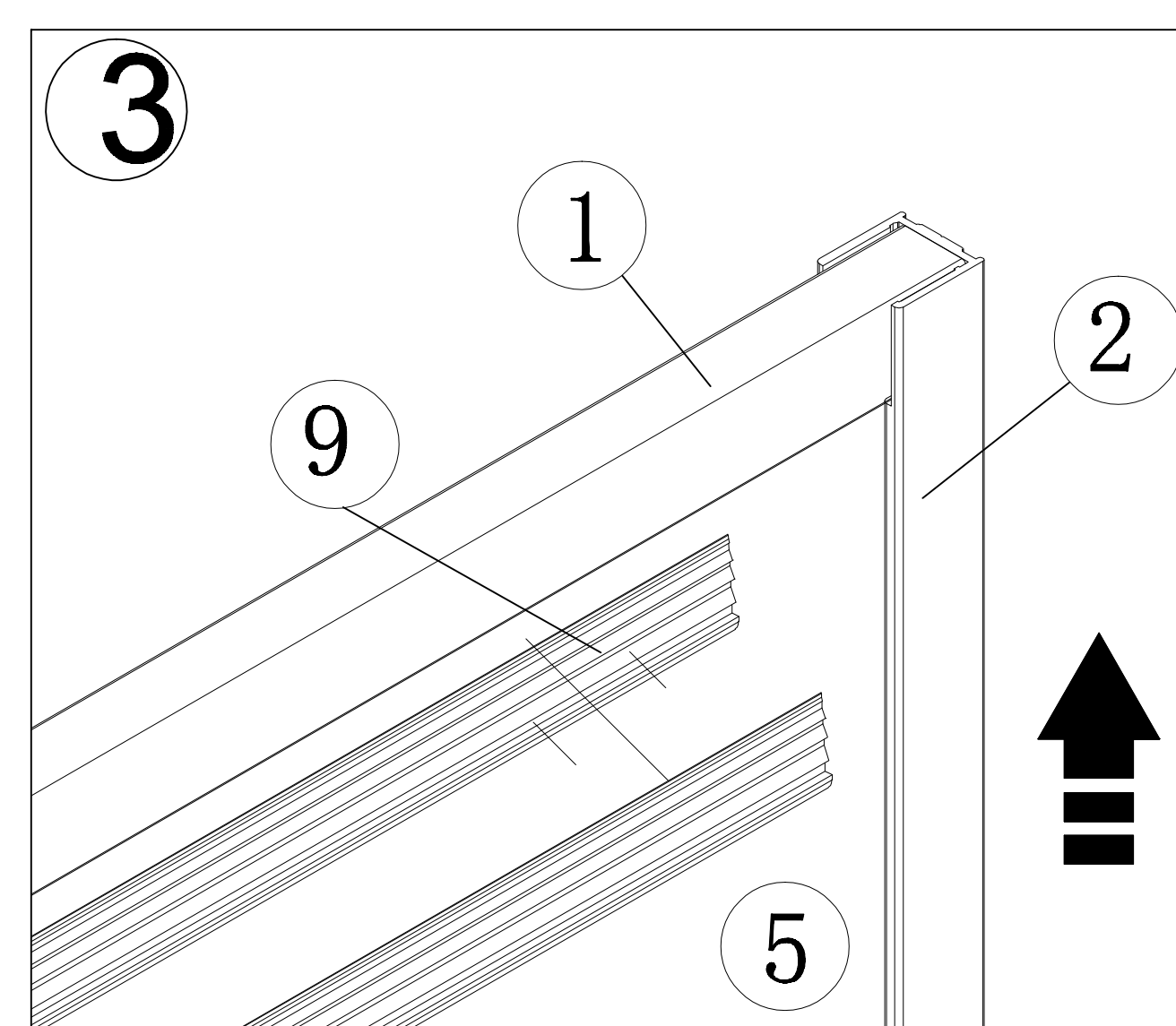
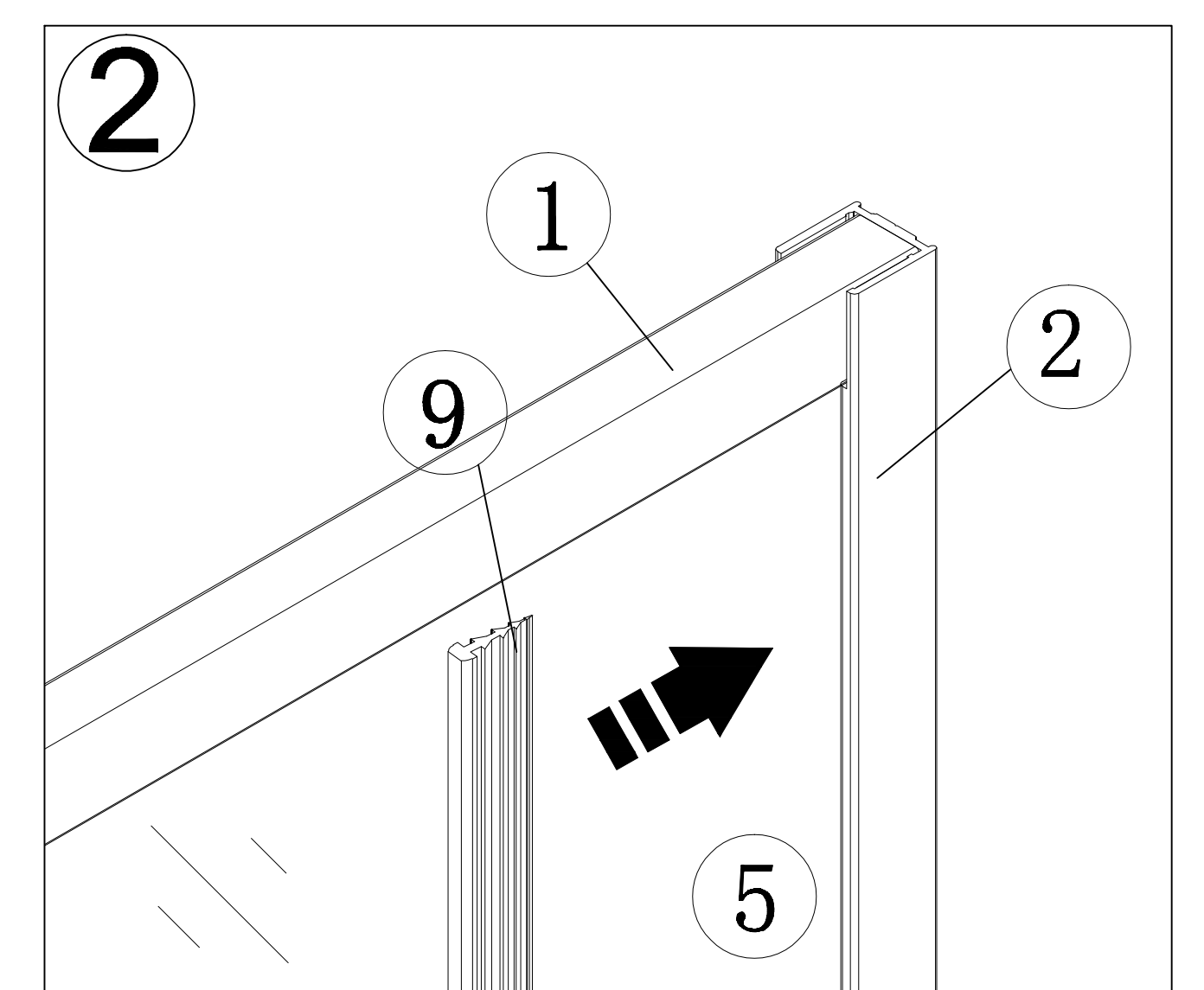
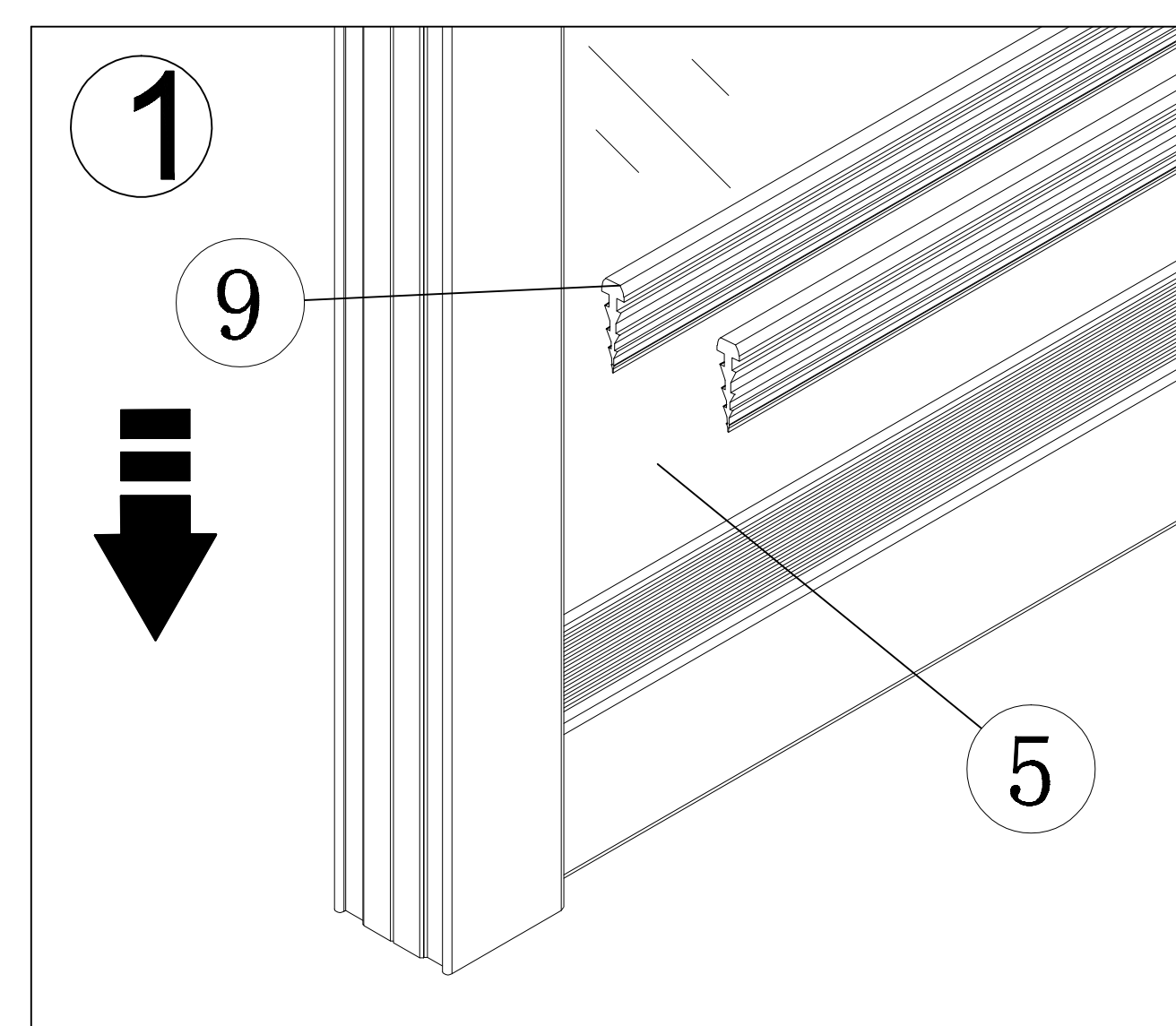
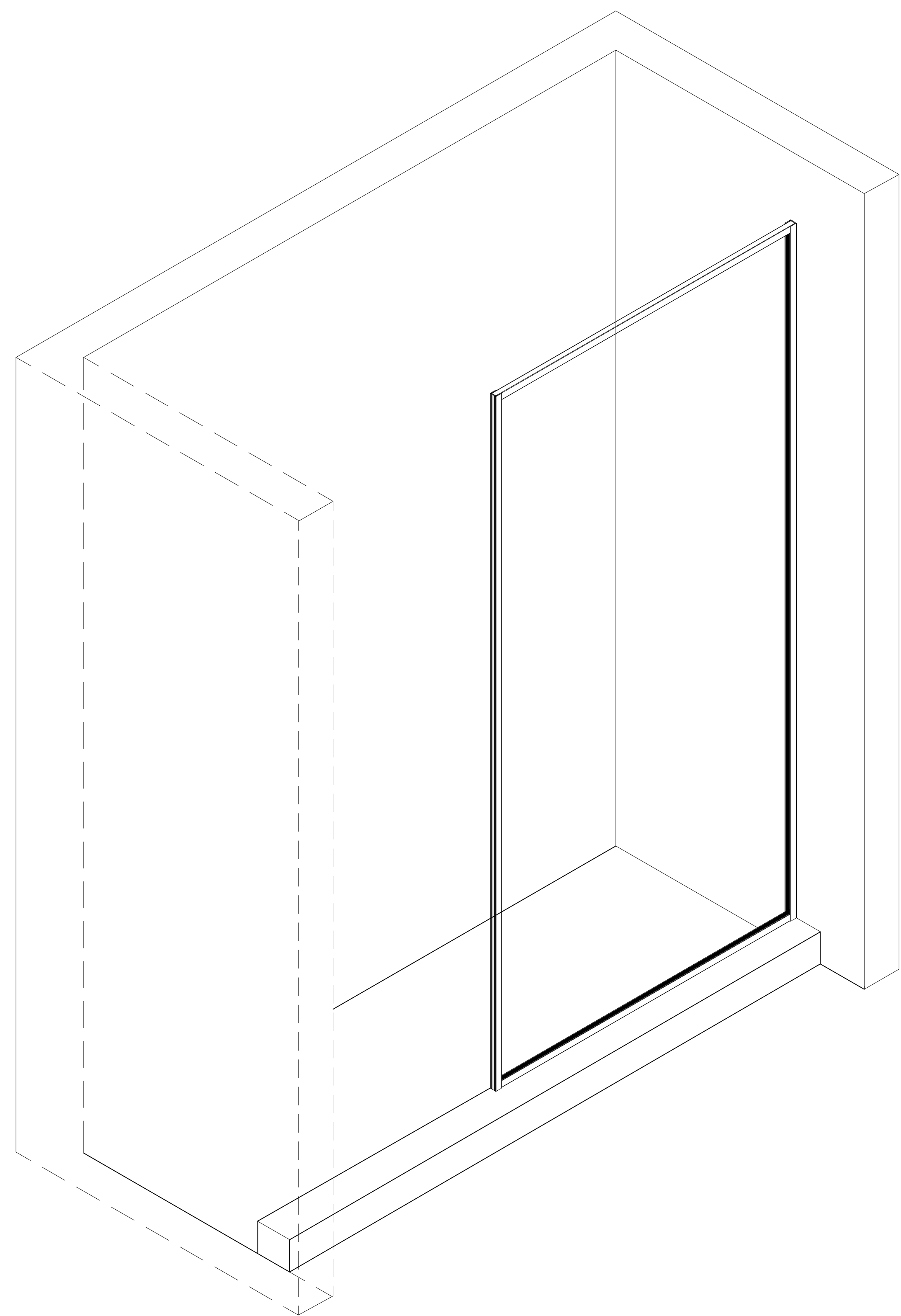
1. Insert One-side strip(10) into glass and SBottom aluminum U channel(6).
2. Insert One-side strip(9) into glass and Wall bracket A(2).
3. Insert One-side strip(10) into glass and SPush Top aluminum U channel(1).
4. Insert One-side strip(9) into glass and Wall bracket B(7).



Right Hand Assembly

STEP 5

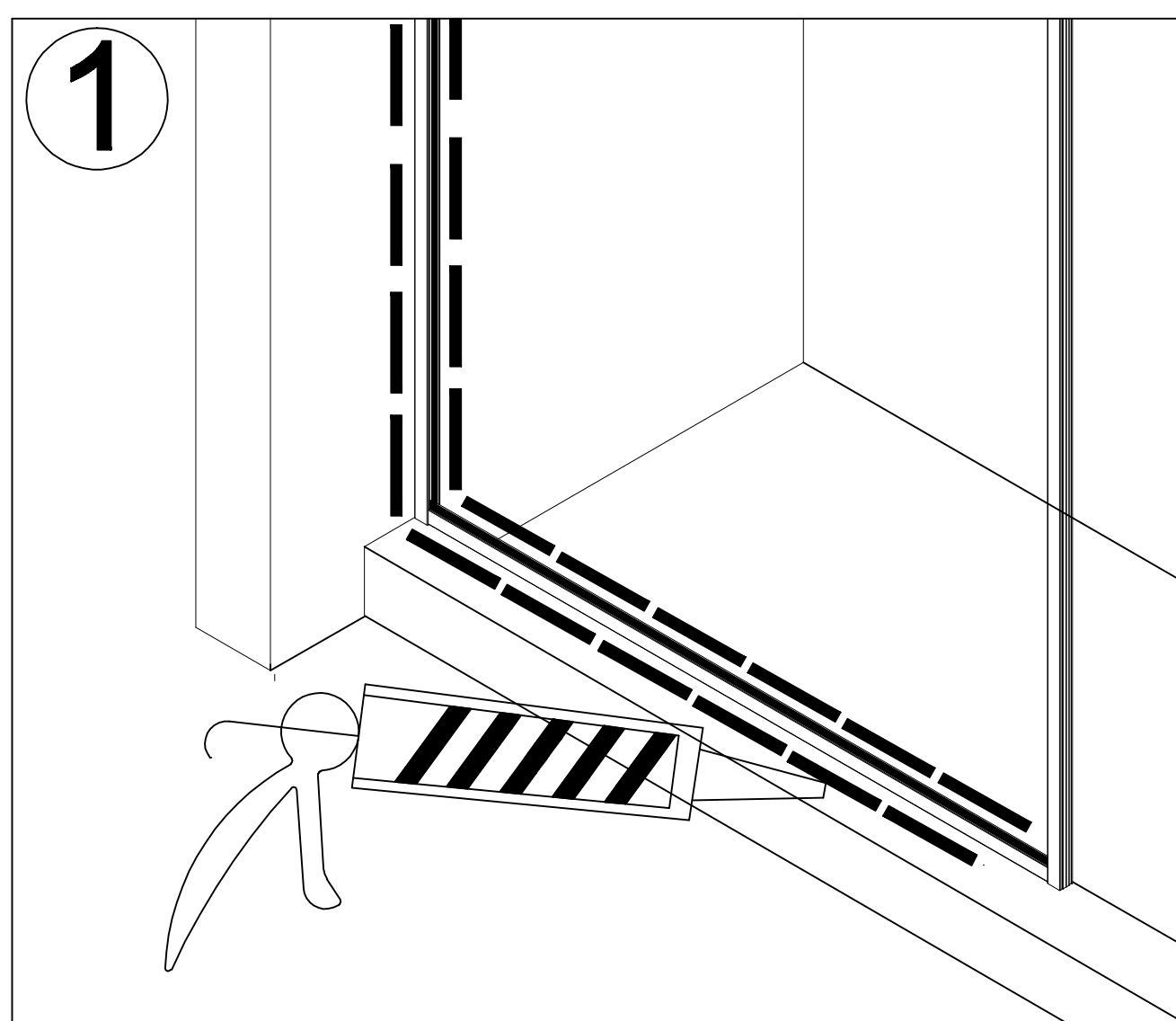
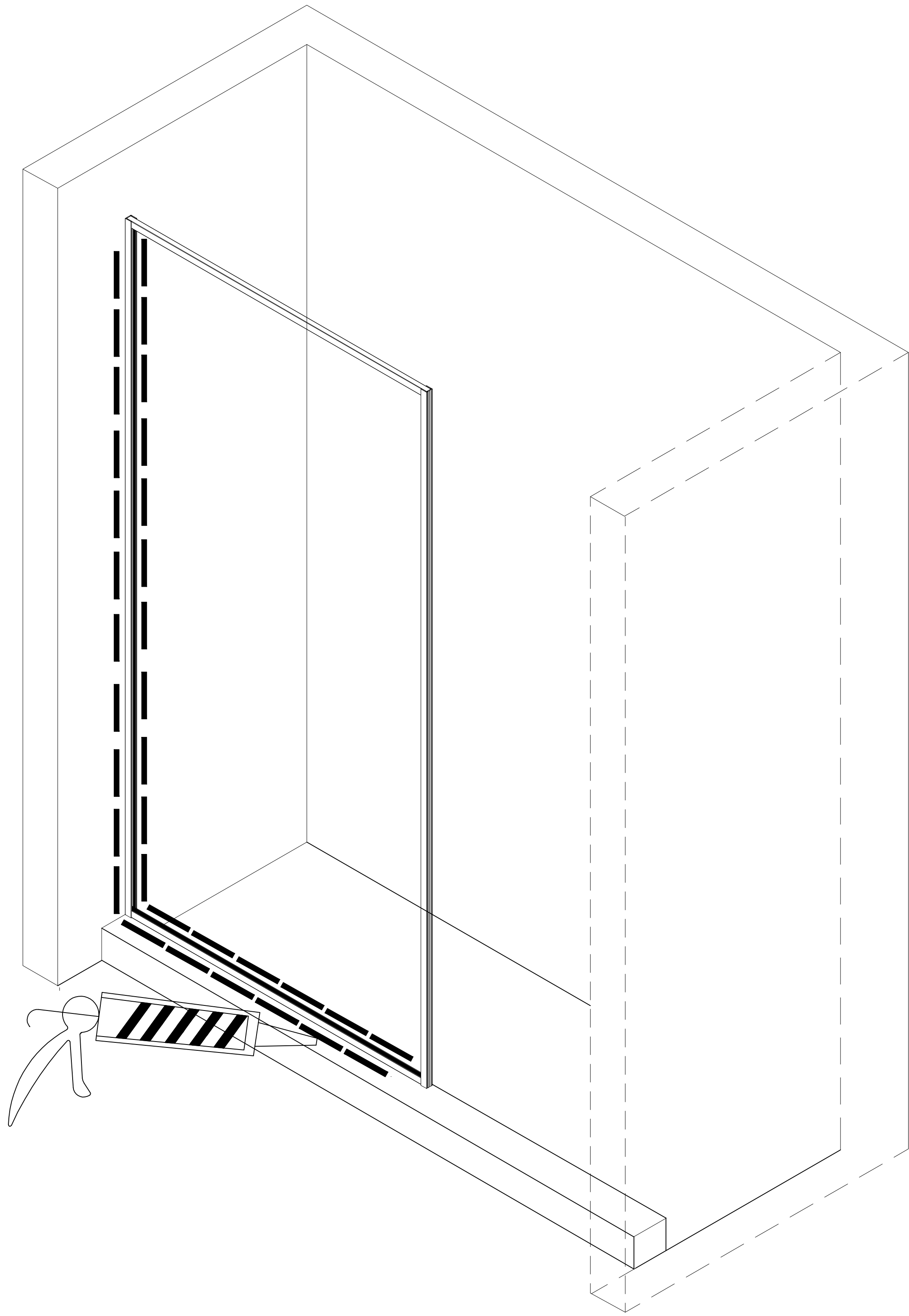
1. Insert One-side strip(10) into glass and Bottom aluminum U channel(6).
2. Insert One-side strip(9) into glass and Wall bracket A(2).
3. Insert One-side strip(10) into glass and Push Top aluminum U channel(1).
4. Insert One-side strip(9) into glass and Wall bracket B(7).



Left Hand Assembly

STEP 6

1. Apply qualified mildew resistant silicone along the sides of wall bracket A(2) and the Bottom aluminum U channel(6). Allow the silicone to dry for 24 hours before using the shower to ensure it's fully consolidated.



Right Hand Assembly

STEP 6

1. Apply qualified mildew resistant silicone along the sides of wall bracket A(2) and the bottom aluminum U channel(6). Allow the silicone to dry for 24 hours before using the shower to ensure it's fully consolidated.

