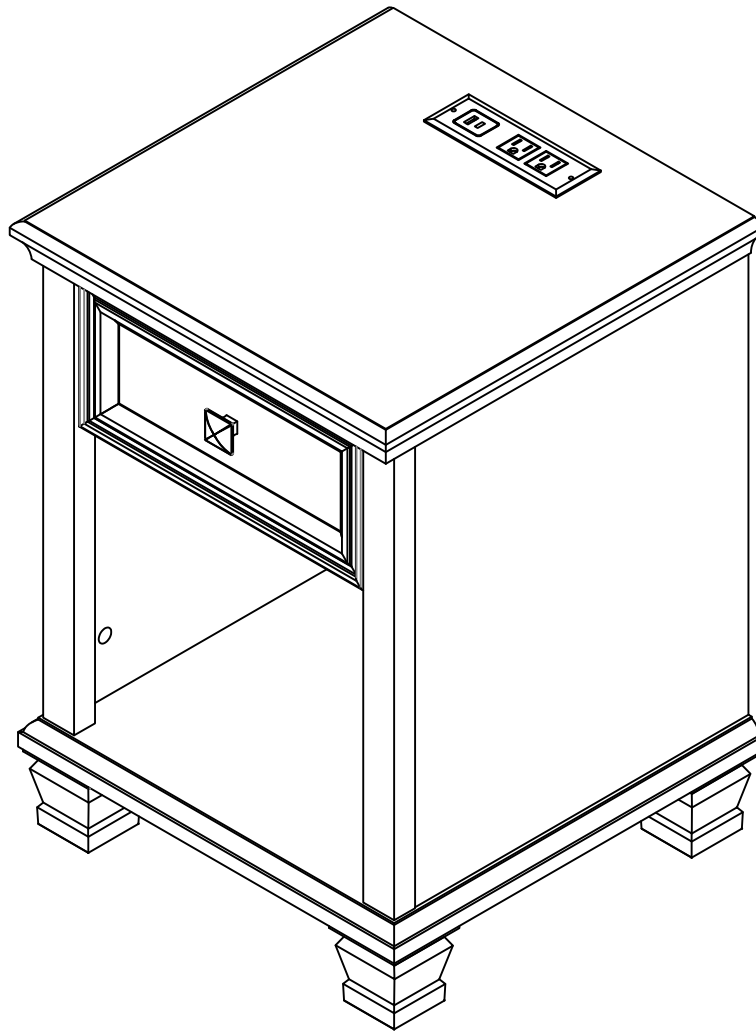


Assembly Instructions



BEFORE STARTING

Before Using Product

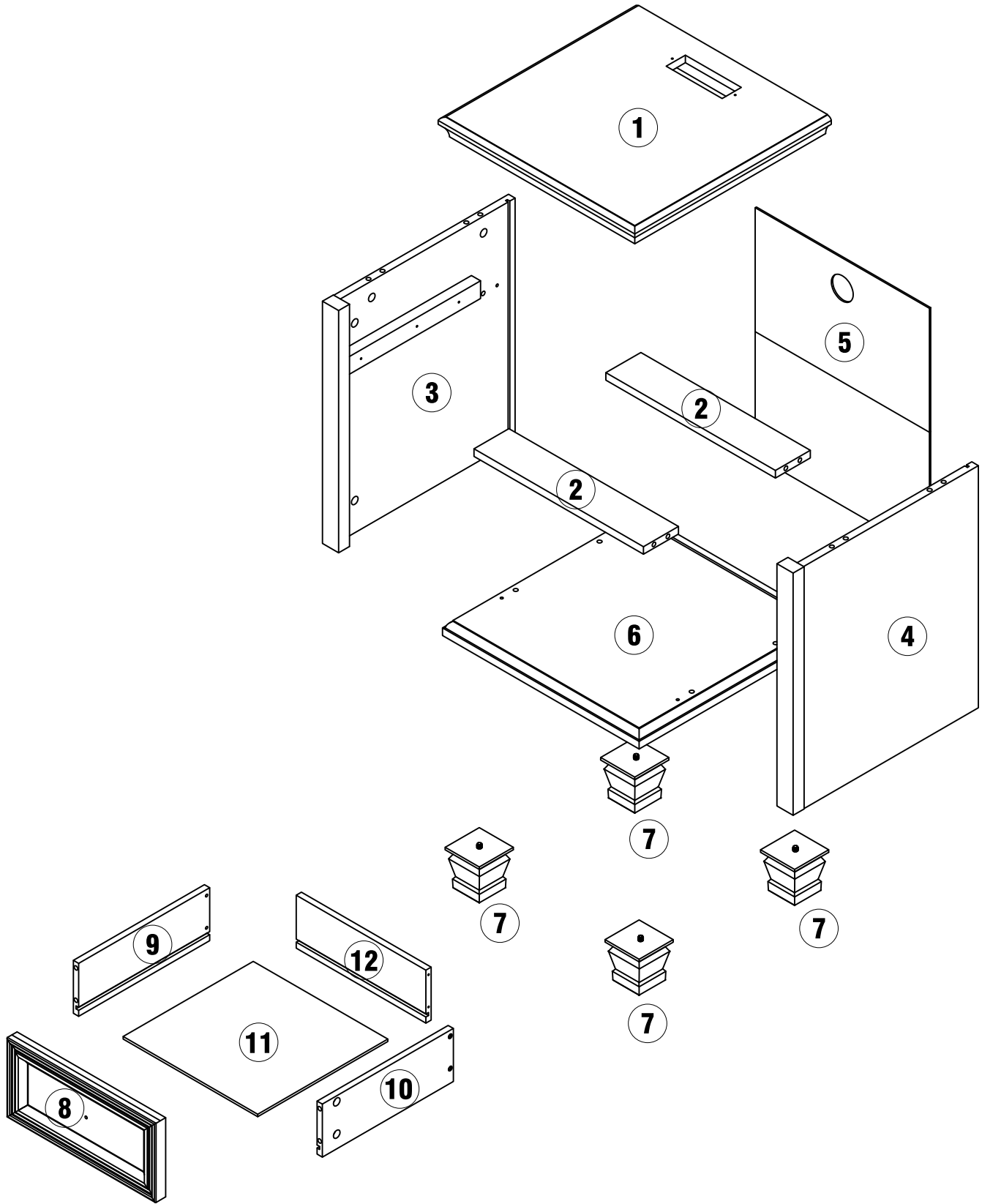
- Read each step carefully before starting. It is very important that each step is performed in the correct order. If these steps are not followed in sequence, assembly difficulties will occur.
- Make sure all parts are included.
- Work in a spacious area and near where the unit will be used, preferably on a carpet, or use a piece of the cardboard packaging to protect your floor and product.
- For a smooth assembly process, we suggest you keep a lite tightness for all the screws during assembly. After the whole product is assembled, firmly tighten all the screws.



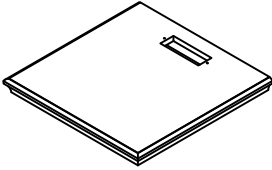
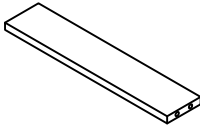
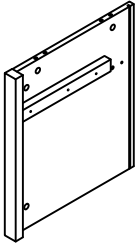
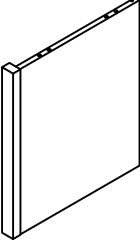
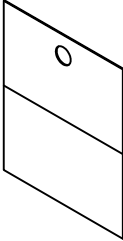
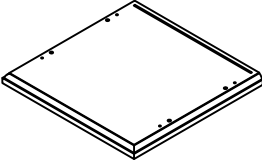
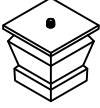
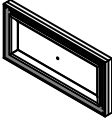
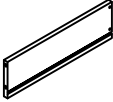
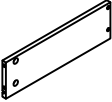
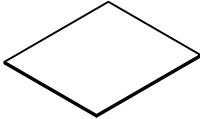
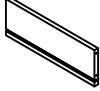
WARNING

- Do not allow children to climb on unit.
 - Avoid sharp objects or corrosive chemicals to prevent damage to the product.
 - During assembly, keep parts and packaging materials away from children and pets as there could be potential injury and choking hazards.
 - Please make sure that all objects are removed before moving the assembled unit.
 - The unit must be team lifted, not dragged or pushed. Failure to do so could cause instability, product collapse, and/or serious injury.
- Be careful when using power tools to assemble your furniture.
Power tools may strip or damage the parts.




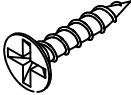
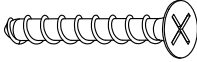
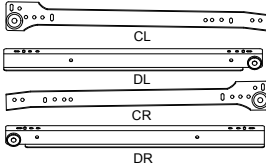
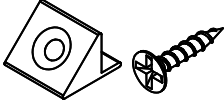
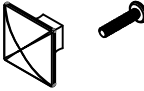
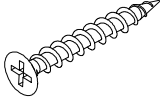
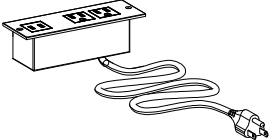
PART LIST

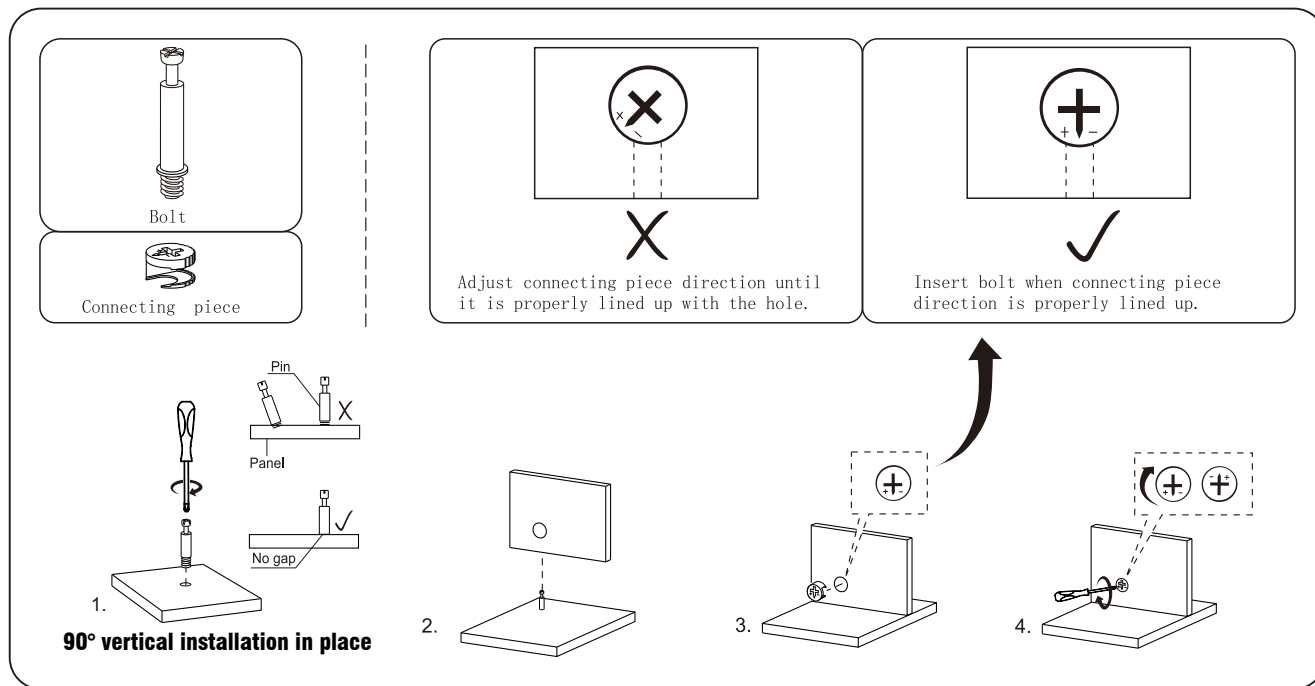


PART LIST

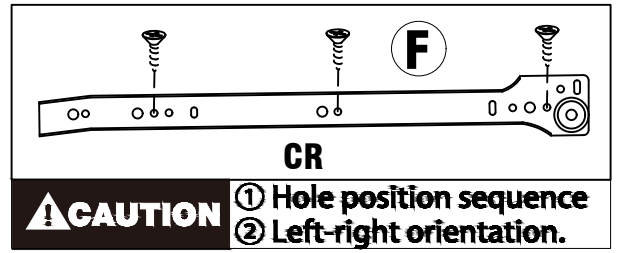
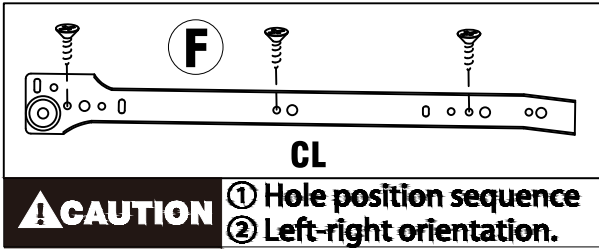
<p>1</p>  <p>1 pc</p>	<p>2</p>  <p>2 pcs</p>	<p>3</p>  <p>1 pc</p>
<p>4</p>  <p>1 pc</p>	<p>5</p>  <p>1 pc</p>	<p>6</p>  <p>1 pc</p>
<p>7</p>  <p>4 pcs</p>	<p>8</p>  <p>1 pc</p>	<p>9</p>  <p>1 pc</p>
<p>10</p>  <p>1 pc</p>	<p>11</p>  <p>1 pc</p>	<p>12</p>  <p>1 pc</p>

HARDWARE LIST

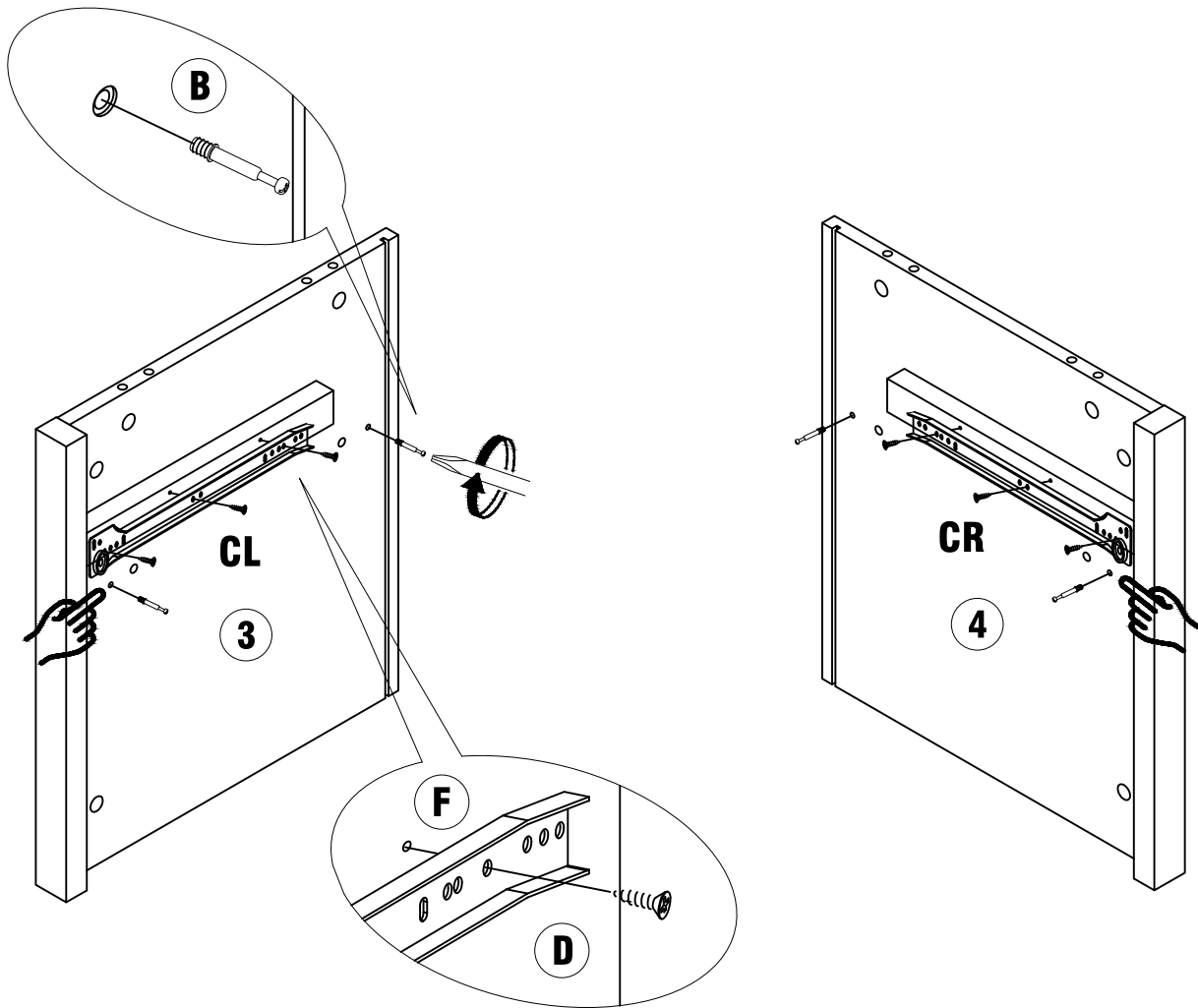
<p>A X12+1</p>  <p>Ø8X30MM</p>	<p>B X12+1</p>  <p>Ø6X40MM</p>	<p>C X12+1</p>  <p>Ø15X10MM</p>
<p>D X14+1</p>  <p>Ø3X12MM</p>	<p>E X4</p>  <p>Ø4X35MM</p>	<p>F X1</p> 
<p>G X4</p> 	<p>H X1</p> 	<p>I X4</p>  <p>Ø4X50MM</p>
<p>K X1</p> 		

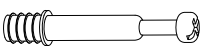

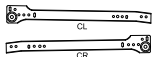


STEP 1

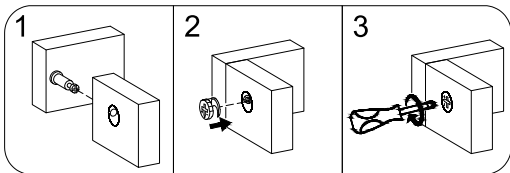
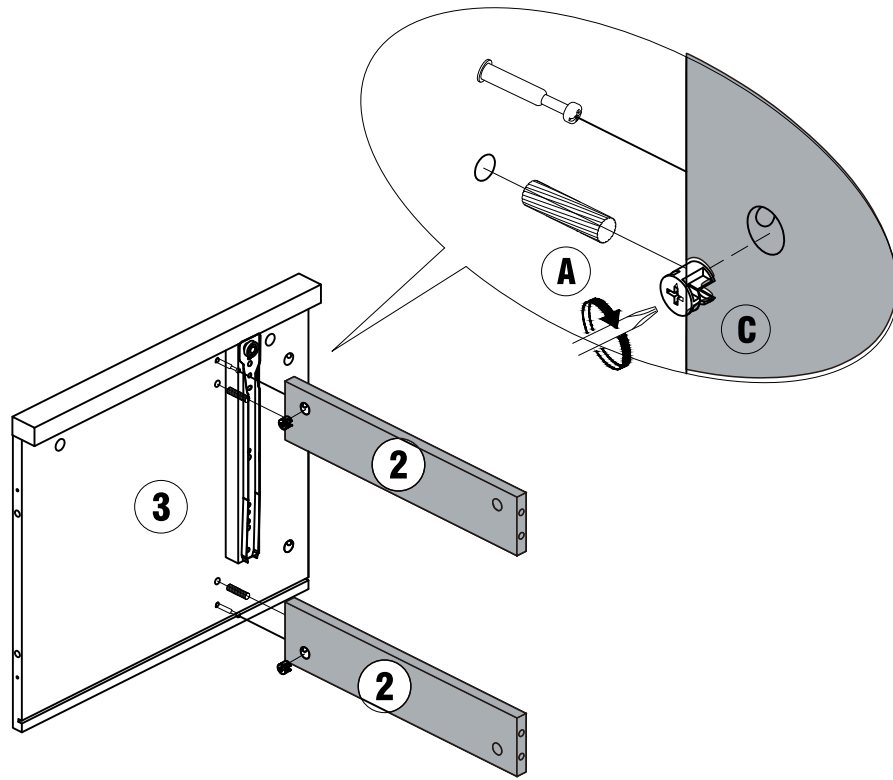




Warning: Ensure proper alignment and direction when installing the product's slide rails, paying close attention to left and right orientation. Failure to do so may result in damage or loss.



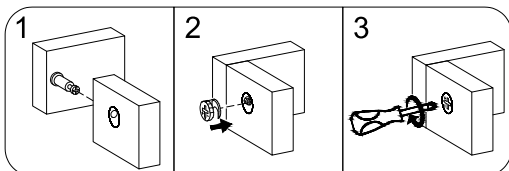
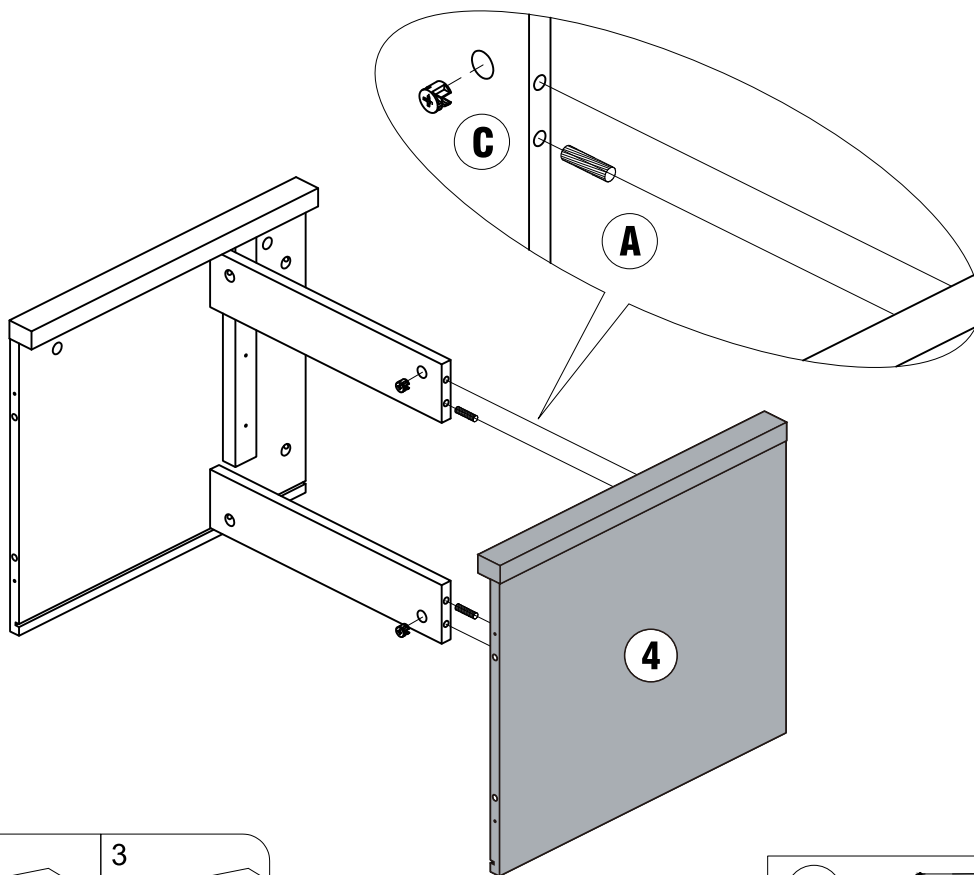
B		X4
D		X6
F		X1

STEP 2

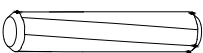



A		X2
C		X2

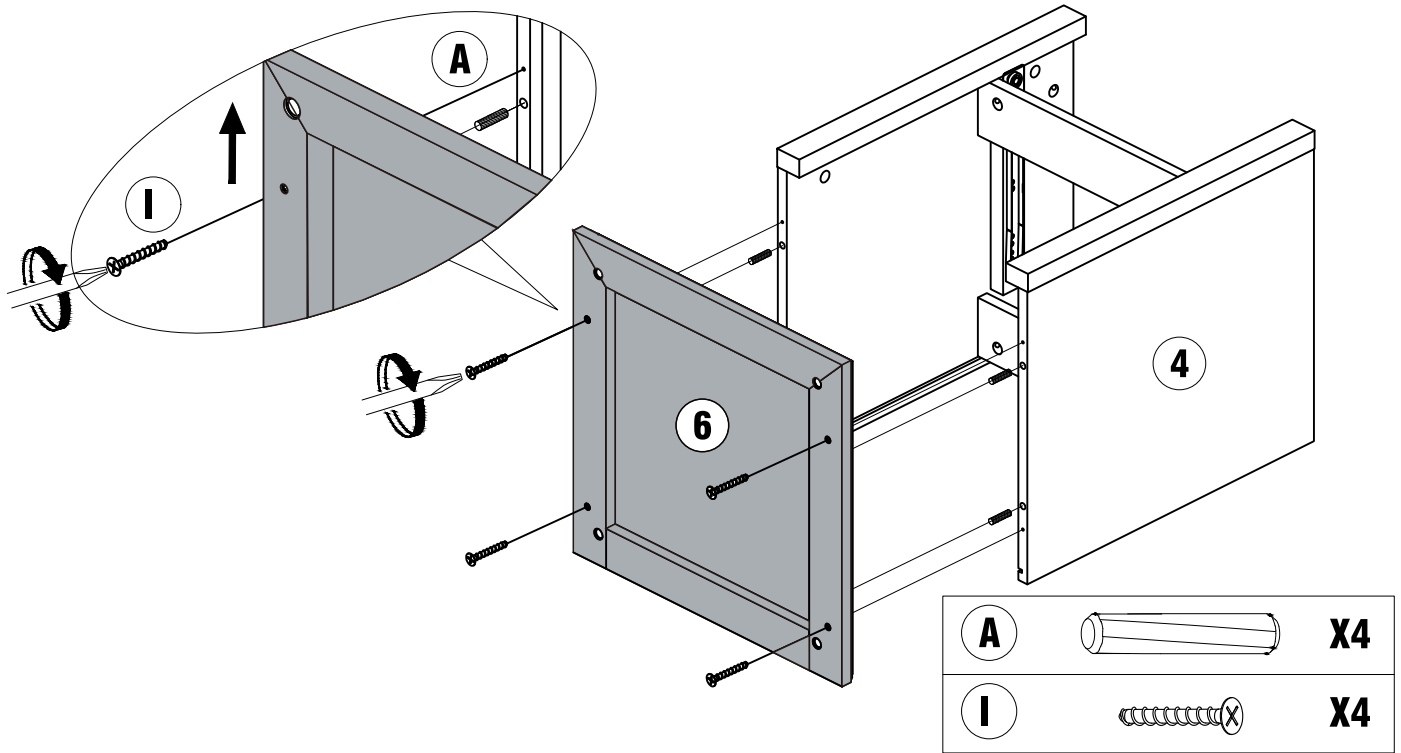
STEP 3



5

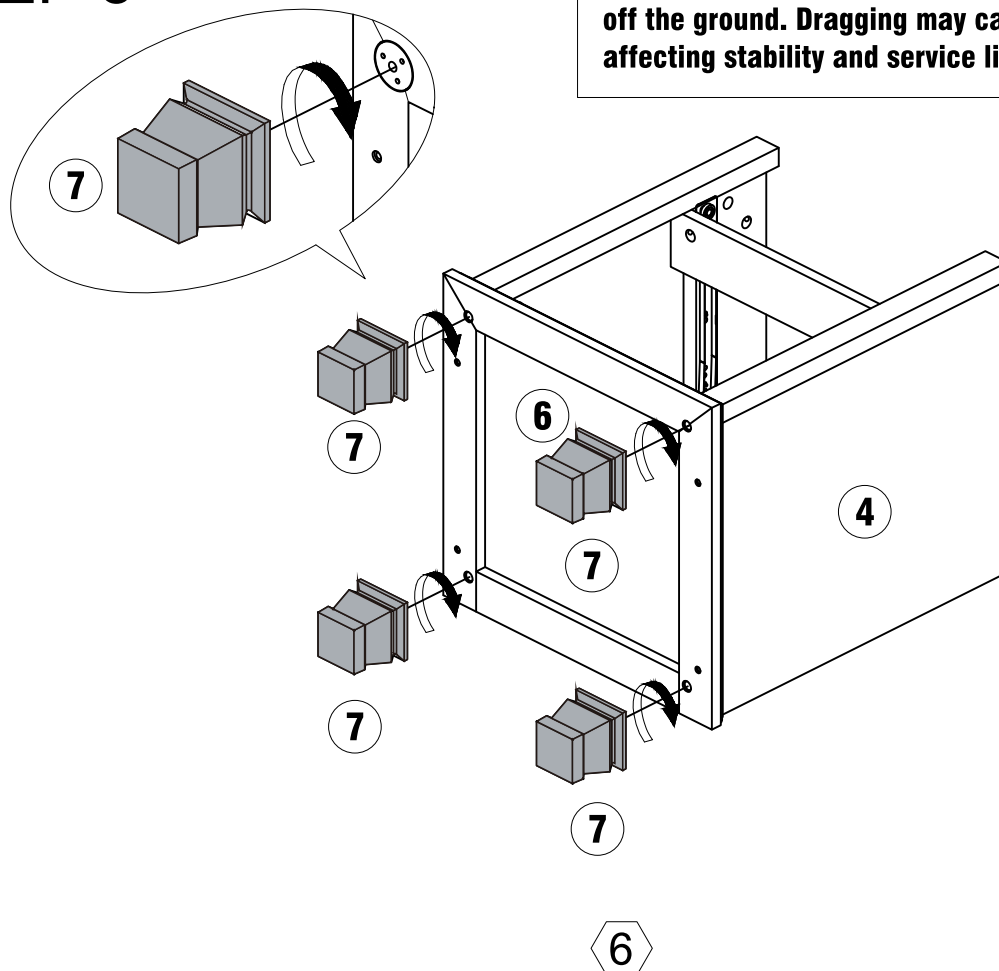
A		X2
C		X2

STEP 4 Warning: Please carefully follow the assembly instructions to ensure correct orientation and prevent any potential loss.



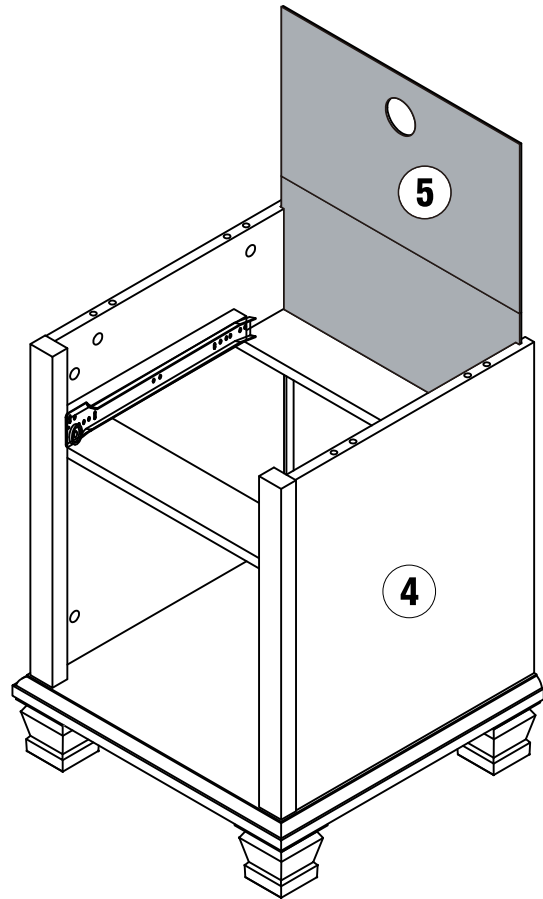
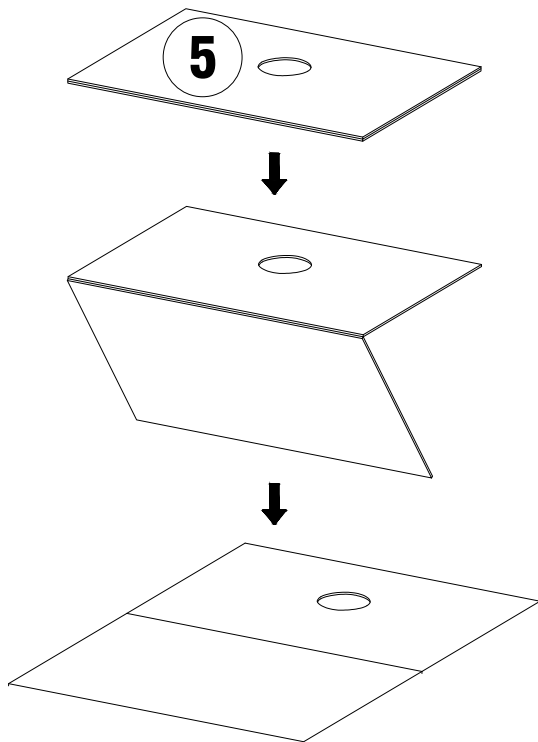
STEP 5

Instructions for use: The cabinet legs should be designed to avoid lateral stress. When moving, please lift vertically off the ground. Dragging may cause loose connectors, affecting stability and service life

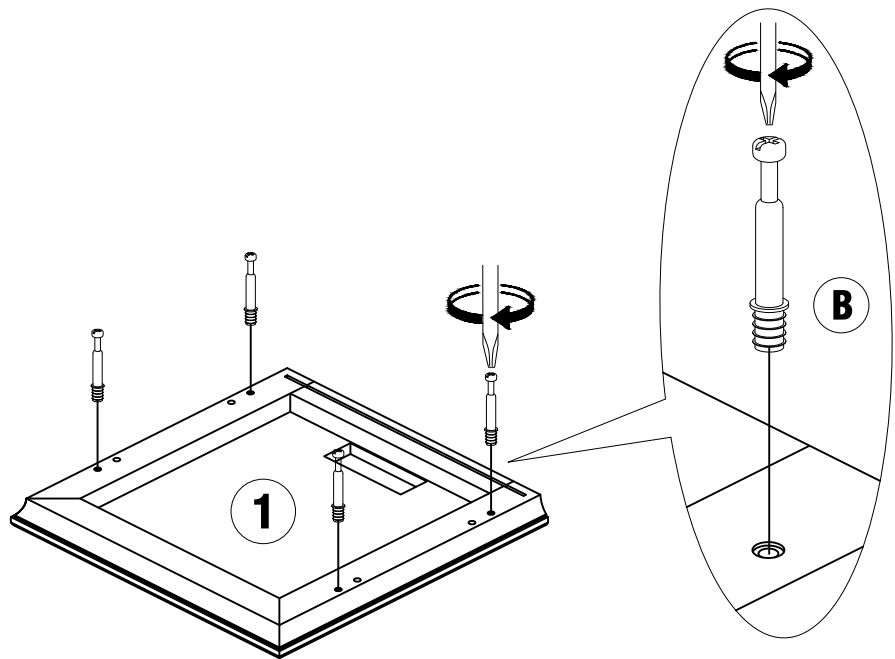


STEP 6

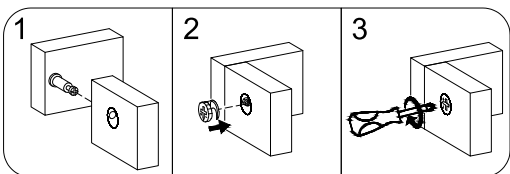
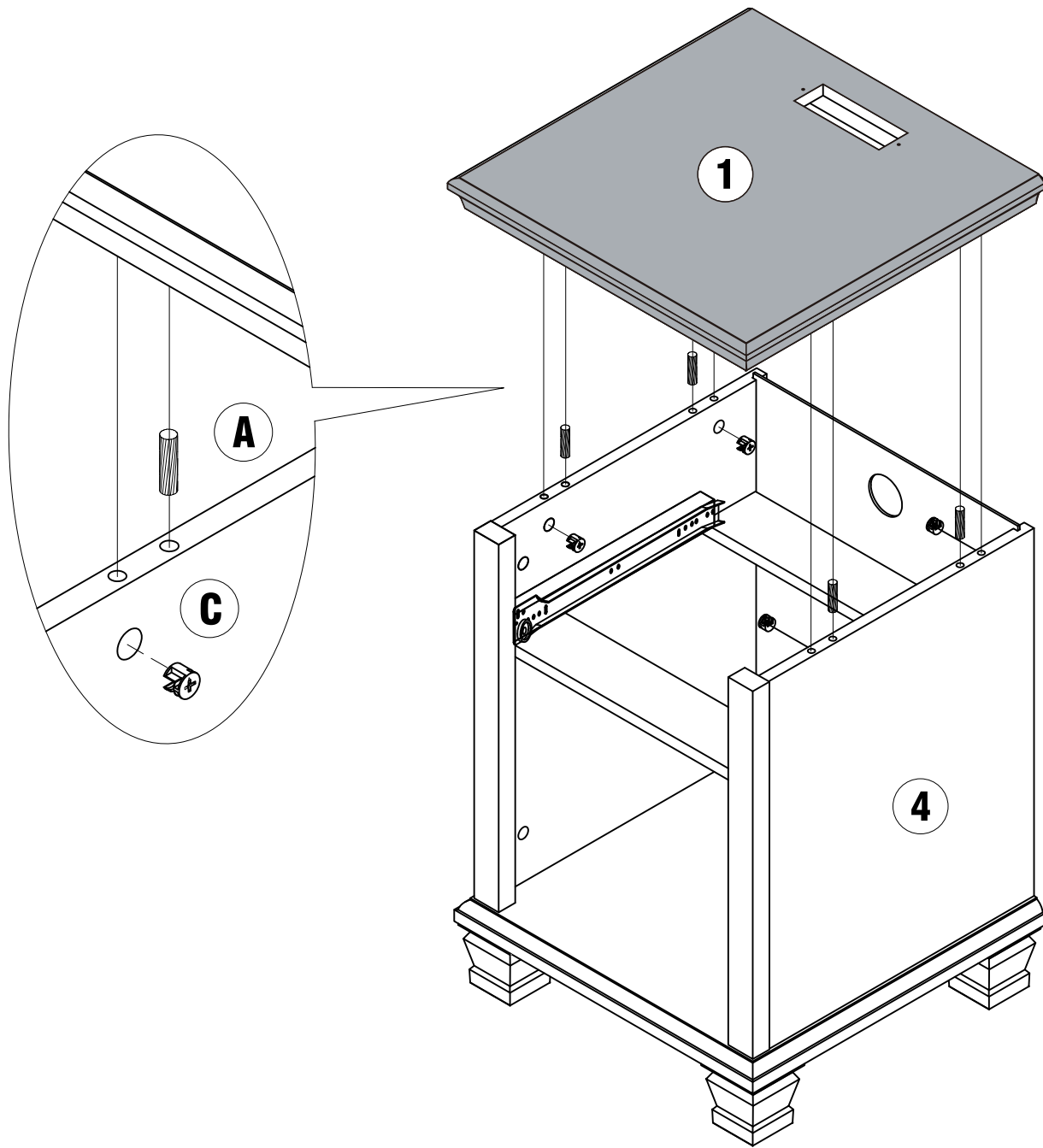
The back panel ⑤ is folded in half.
Unfold it before installing it.



STEP 7



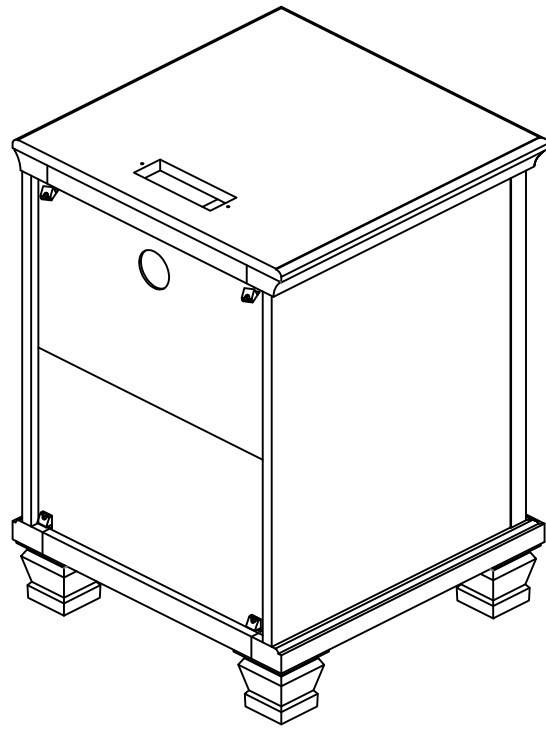
STEP 8



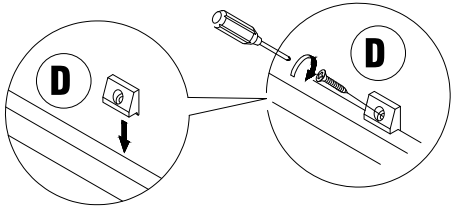
8

A		X4
C		X4

STEP 9



CAUTION



Install and tighten backplate screws to ensure stability

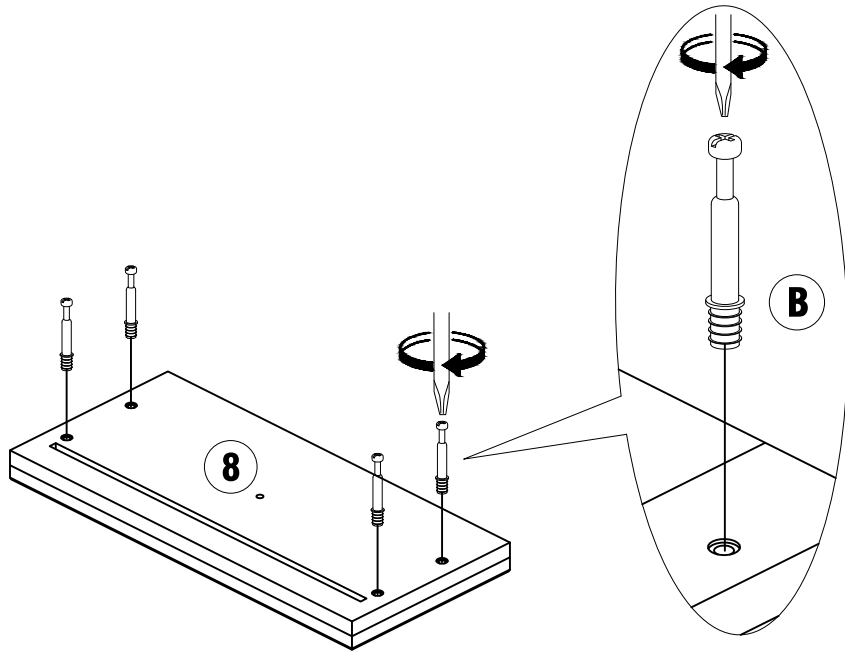
Please be sure to install the mending wedges to prevent the product from becoming unstable or wobbling.

G

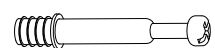


X4

STEP 10

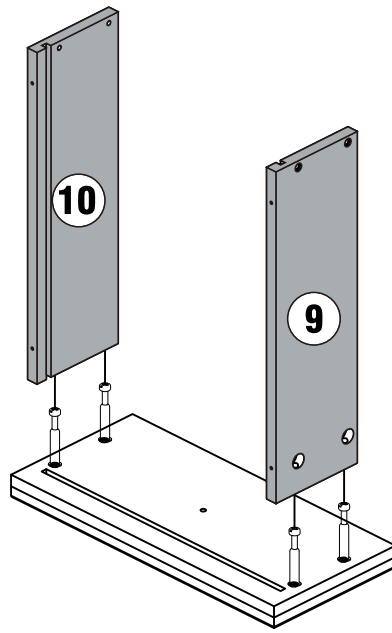


B

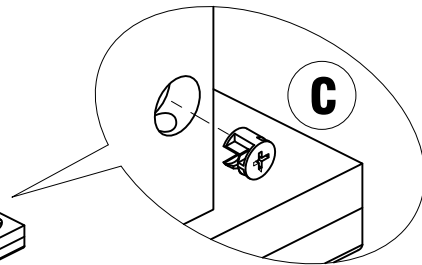
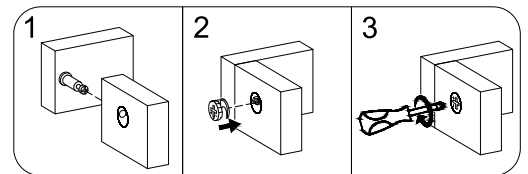
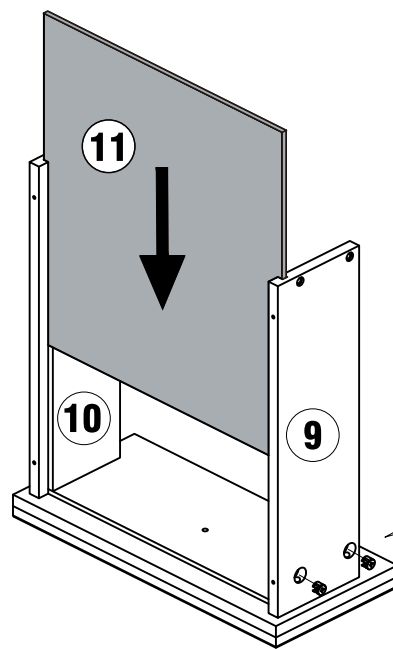


X4

STEP 11



STEP 12



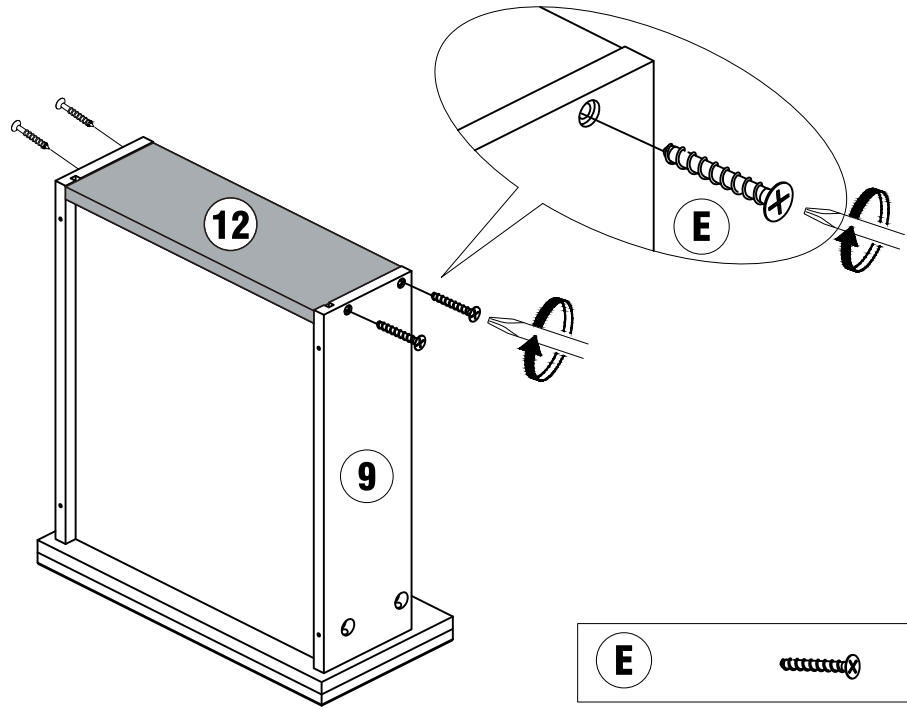
10

C

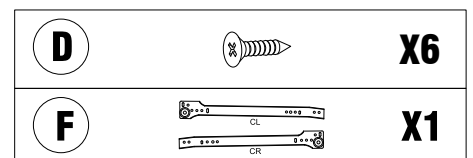
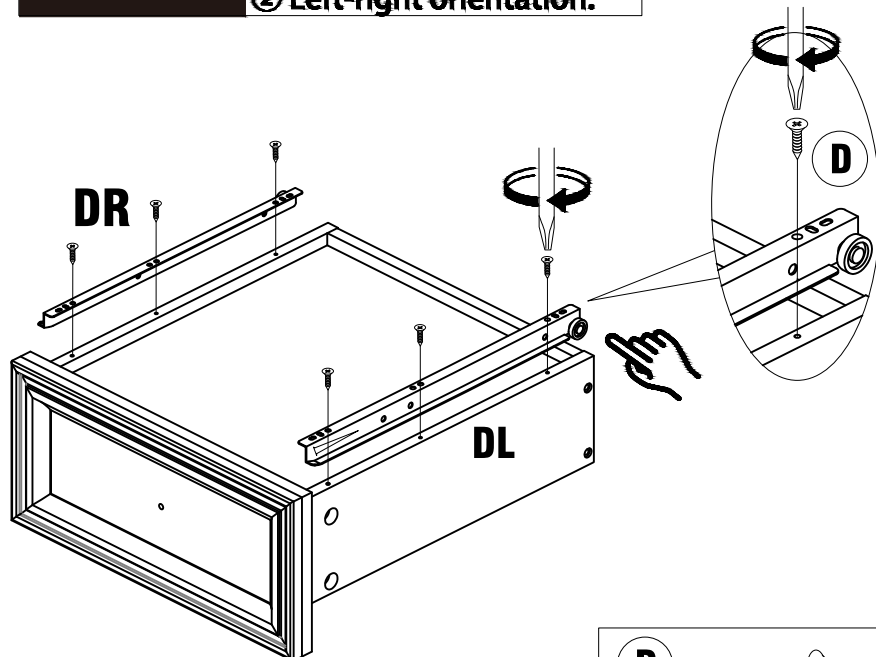
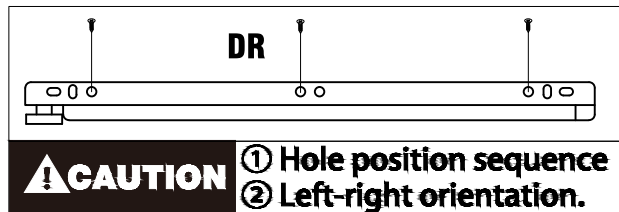
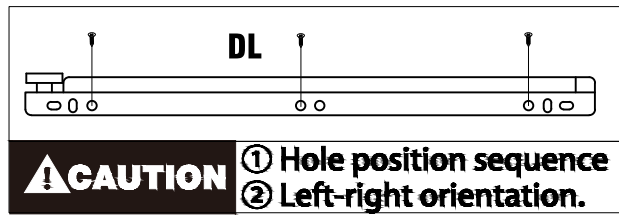


X4

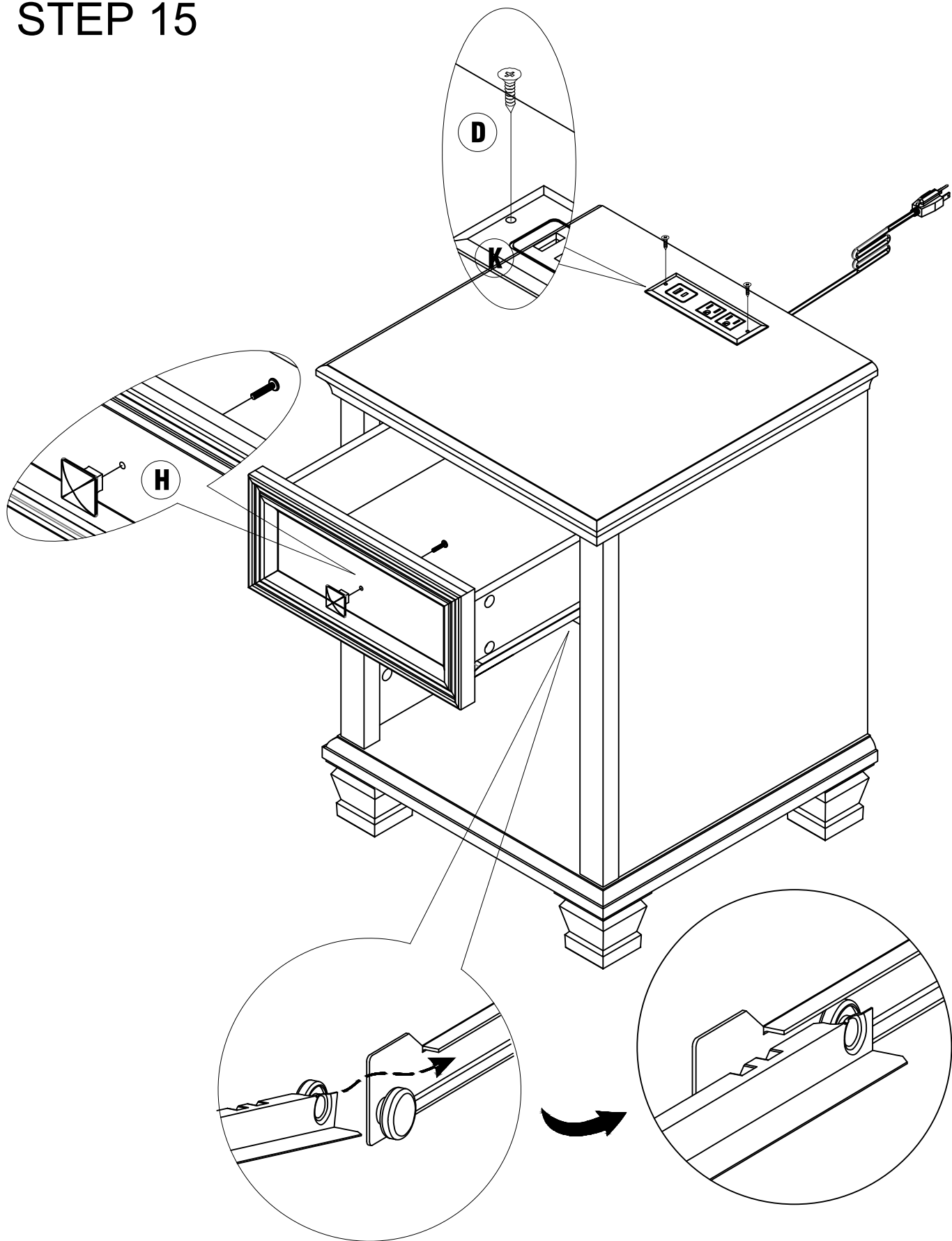
STEP 13






STEP 14



STEP 15



D		X2
H		X1
K		X1