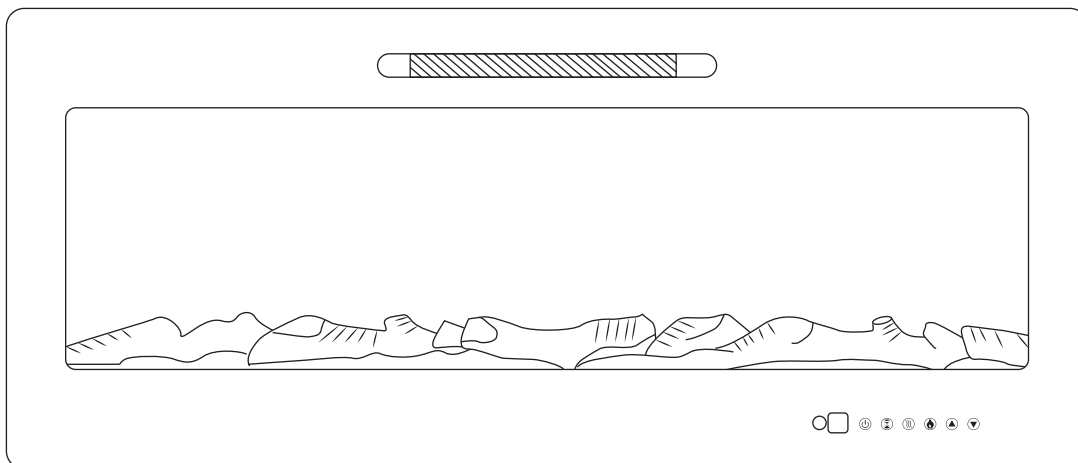


50 Inch Electric Fireplace User Manual



CONSUMER SAFETY INFORMATION

1. Read this manual before installing and operating this appliance.
2. Failure to follow these instructions may result in electric shock, fire property, or personal injury.
3. Do not store or use gasoline or other flammable liquids in vicinity of this appliance.



IMPORTANT SAFETY INFORMATION!



WARNING



1. **Read all instructions before using this heater!**
2. This heater is hot **when in use**. To avoid burns, **DO NOT** let bare skin touch hot surfaces. If provided, use handles when moving this heater. Keep **combustible materials**, such as furniture, pillows, bedding, papers, clothes, and curtains at least **3 feet (0.9m)** from the front of **the heater**, and **keep them away from the sides and rear**.
3. **Extreme caution** is necessary when any heater is used by or near children or invalids and whenever the heater is left **operating and unattended**.
4. **DO NOT** operate any heater with a **damaged cord or plug** or after the heater malfunctions, has been **dropped or damaged in any manner**, Discard heater, or return to authorized service facility for examination and /or repair.
5. **DO NOT** run power cord under carpeting. **DO NOT** cover power cord with throw rugs, runners, or similar coverings. **DO NOT** route power cord under furniture or appliances. Arrange power cord away from **traffic area**, and where it will not be tripped over.

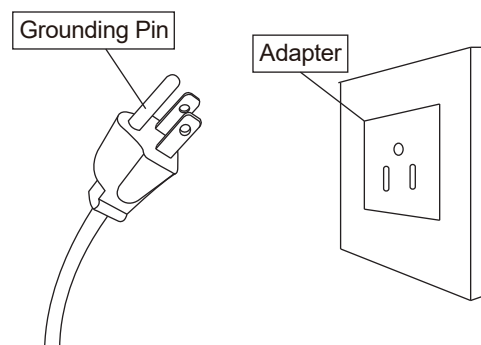


WARNING



- **Connect to properly grounded outlets ONLY.**
- **DO NOT** insert or allow foreign objects to **enter any ventilation or exhaust openings**, as this may cause **electric shock** or **fire**, or **damage the heater**.
- To prevent a possible fire, **DO NOT** block air intakes or exhaust in any manner. Doing so could cause a fire. **DO NOT** use on soft surfaces, like a bed, where openings may become blocked.
- A heater has **hot and arcing or sparking parts inside**. **DO NOT** use it in areas where **gasoline, paint, or flammable liquids** are used or stored.
- **Use this heater only as described in this manual. Any other use not recommended by the manufacturer may cause fire, electric shock, or injury to persons.**
- **ALWAYS** plug heaters directly into a wall outlet/receptacle. **Never use with an extension cord or relocatable power tap (outlet/power strip).**
- **DO NOT** place the heater near a bed because objects such as pillows or blankets can fall off the bed and be ignited by the heater.
- **NEVER** use this heater in **bathrooms, laundry rooms**, or any other location where the heater could fall into a **bathtub or pool, become damp or come in contact with water**.
- **AVOID FIRE!** Regularly inspect all air vents to make sure they are free from dust, lint, or other Blockage. **Unplug the unit** and clean with a **vacuum ONLY**. **DO NOT** rinse or get wet.
- **ALWAYS** hung to wall bracket before use. **DO NOT** set on the floor, or other surface, to use.

- **NEVER** use a wall hung bracket from another manufacturer.
- This product is **not intended** to be a **primary heat source**. It is for **supplemental heat only**.
- **INDOOR use only! NEVER** use this heater **outdoors!** Doing so may result in **electric shock!**
- **Risk of electric shock! DO NOT OPEN!** No user-serviceable parts inside!
- **ALWAYS** turn this heater off before unplugging it from the outlet.
- **ALWAYS disconnect** this unit from the **power** supply **before** performing any assembly or cleaning, or before relocating the electric fireplace.
- **NEVER** leave this heater unattended. **ALWAYS** unplug this heater when not in use.
- **ALWAYS** store this heater in a dry location. **NEVER** use the fireplace if it has become wet.
- **NEVER** plug this heater into an outlet that is **old, cracked,** or has any **loose wires or connections**. Plugging this heater into a faulty outlet could result in **electric arcing** within the outlet that could cause the **outlet to overheat or catch fire**.
- **ALWAYS** check your heater cord and plug connections with **each use!**
 - i) **MAKE SURE** the plug fits tight in the outlet! Faulty wall outlet connections or loose plugs can cause the outlet to overheat.
 - ii) **Heaters draw more current** than small appliances. **Overheating** may occur even if it has not occurred with the use of other appliances.
 - iii) During use **check frequently** to see if the **plug outlet or face plate is HOT!**
 - iv) If the outlet or face plate is **HOT, discontinue use immediately** and have a qualified electrician inspect and/or replace the faulty outlets.
- The power cord supplied with the heater has a plug with two flat blades (live and neutral) and one round pin (ground). If a 3-slot receptacle is not available, an adapter **MUST** be used. The adapter **MUST** be **properly grounded** to the outlet box (see figure at right).
(Note: Adapter NOT INCLUDED.)
- **SAVE THESE INSTRUCTIONS!**



PREPARATION



This product includes a GLASS panel! Always use extreme caution when handling glass. Failure to do so could result in personal injury or property damage.

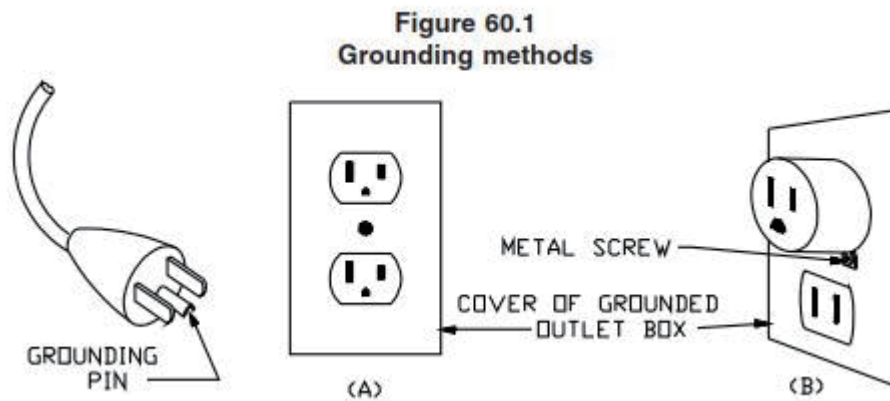
Remove all parts and hardware from the carton and place them on a clean, soft, dry surface. Parts and assembly steps are grounded for wall-hanging or recessing use. Check the parts list to make sure nothing is missing. Dispose of packaging materials properly. Please recycle whenever possible. You will need the following tools (not included): Phillips screwdriver; stud finder; level; tape measure; electric drill; 1/4" wood drill bit, hammer.

Grounding instructions :

This heater is for use on 120 volts. The cord has a plug as shown at A in Figure 60.1. An adapter as shown at C is available for connecting three-blade grounding-type plugs to two-slot receptacles.

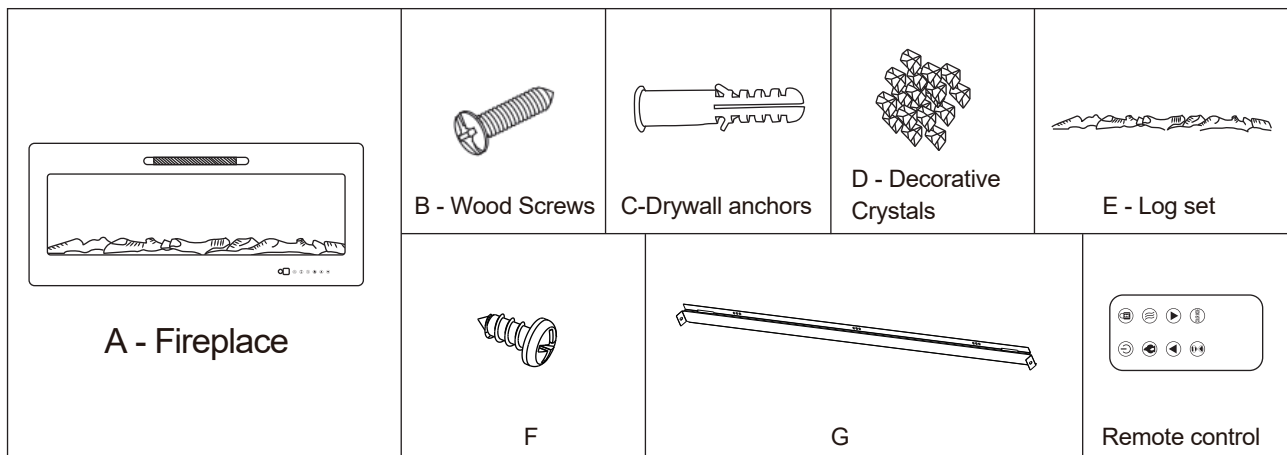
The green grounding lug extending from the adapter must be connected to a permanent ground such as a properly grounded outlet box.

The adapter should not be used if a three-slot grounded receptacle is available.

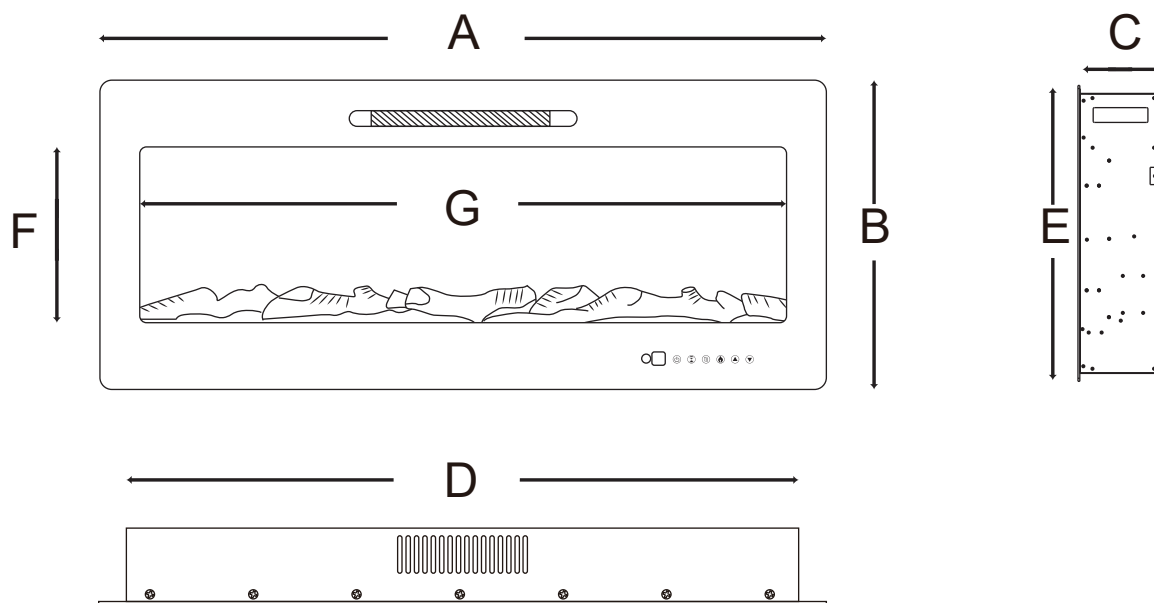


NOTE: Adaptors are NOT for use in Canada

PARTS & HARDWARE



Specification and Dimension



PRODUCT DIMENSIONS

Model Number	A	B	C	D	E	F	G
14040BK	50"	19"	5.1"	46.5"	18"	10.6"	43.3"
	127CM	48CM	13CM	118CM	45.5CM	27CM	110CM

PREPARATION

Your appliance is a wall hung, recessed and /or mantel installed appliance. Select a suitable location that is not susceptible to moisture and is away from drapes, furniture and high traffic areas.

NOTE: Follow all National and local electrical codes.

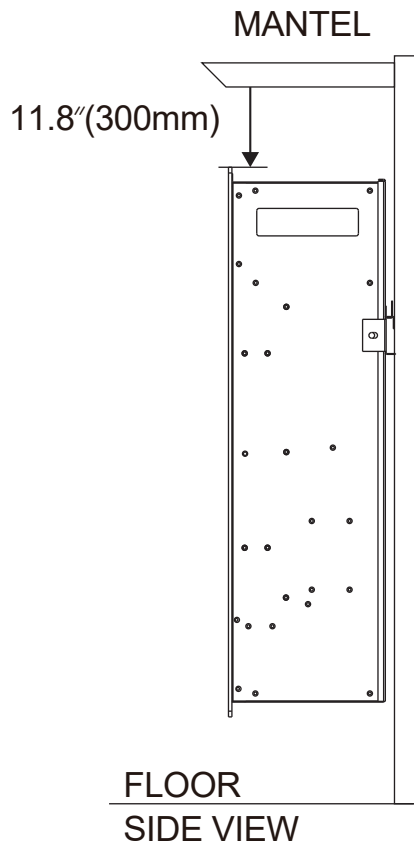
MINIMUM CLEARANCE TO COMBUSTIBLES

Measurements are taken from the glass front.			
Bottom	0"	Top	11.8"(300mm) to mantel
Sides	0"	Top	11.8"(300mm) to mantel
Back	0"		

MINIMUM MANTEL CLEARANCES

WARNING

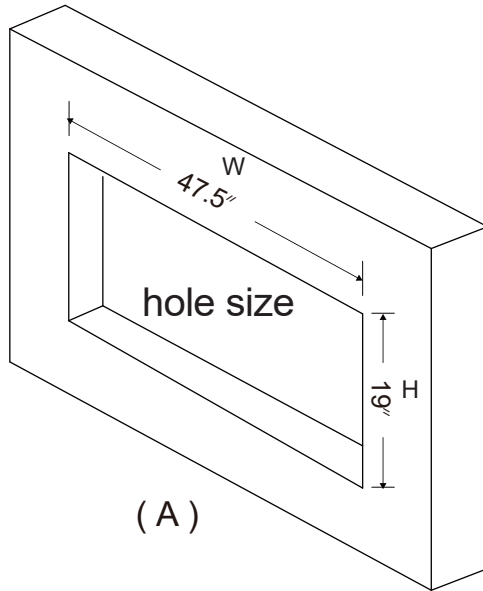
WHEN USING PAINT OR LACQUER TO FINISH THE MANTEL, THE PAINT OR LACQUER MUST BE HEAT RESISTANT TO PREVENT DISCOLOURATION



RECESSED TO WALL INSTALLATION

! WARNING !

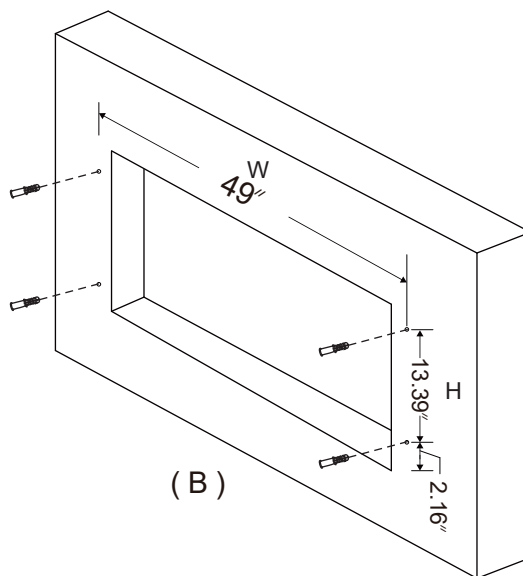
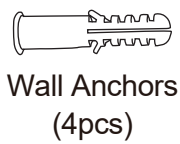
Only qualified person can perform the installation.



(A)

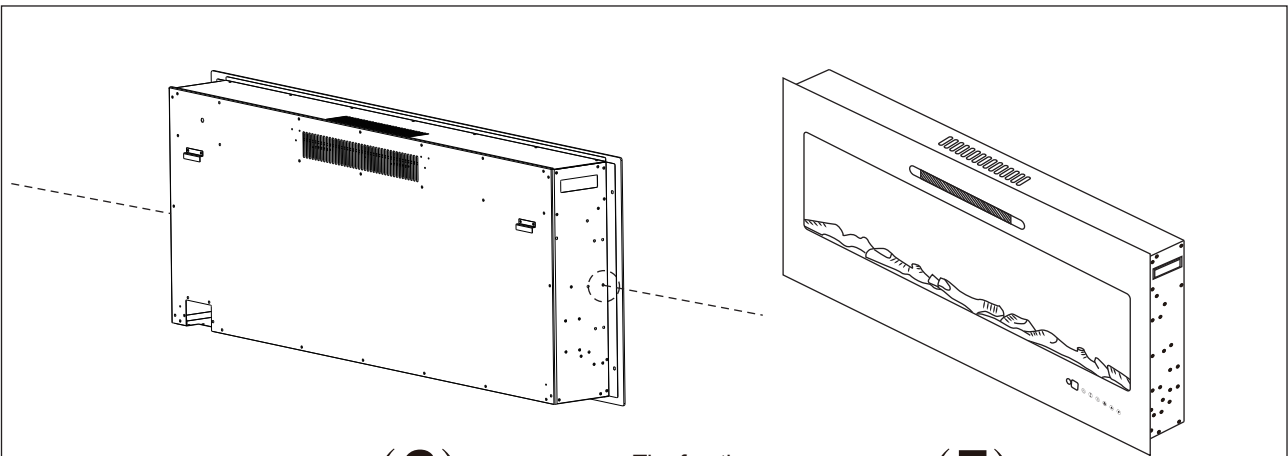
STEP A. Selection a dry wall to open a hole for fireplace box. Size of hole as below chat.

Framing Hole Size		
Model Number	W	H
14040BK	47.5"(120.6cm)	19"(48.3cm)



(B)

STEP B. Punch 4 holes around the wall and install 4 Drywall anchors (Part C), please drive C completely into the wall.



(C)

The fourth screw
from top to bottom

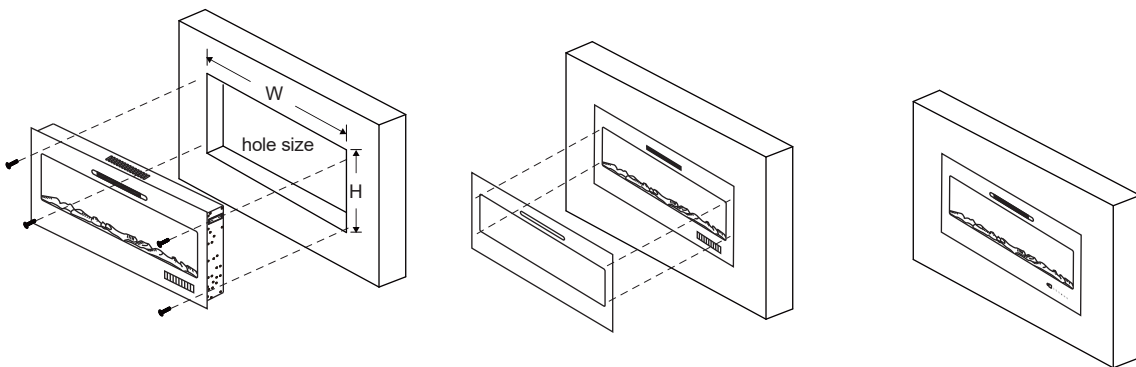
(E)

STEP C. Take off the screws (The fourth screw from top to bottom) in both sides of fireplace. **Figure (C)**

STEP D. Remove packaging attachments from the log set.

- 1.Remove the front glass.
- 2.Remove the pear cotton block.
- 3.Remove the log set's packaging bag.

STEP E. Have two person to take the glass panel out of the fireplace box. Place it to a soft and clean place. **Figure (E)**



(F)

(G)

(H)

STEP F. Take off the two screws in both sides of fireplace. **Figure (C)**
If the appliance is fully recessed into the wall:

- Use the 4 screws(provided) to lock the appliance into wall with the existing two side flanges, **see Figure(F)**
- Install the media and re-install the glass front.

STEP G. Place the front panel lock the appliance. **See Figure (G)**

STEP H. Fireplace will be like this after installation **Figure (H)**

Wall Hung Installation

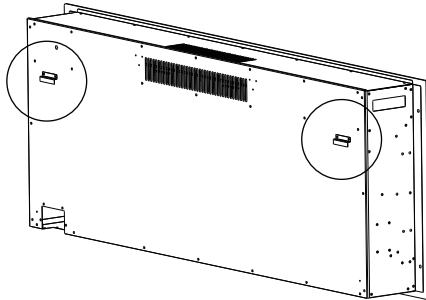


WARNING

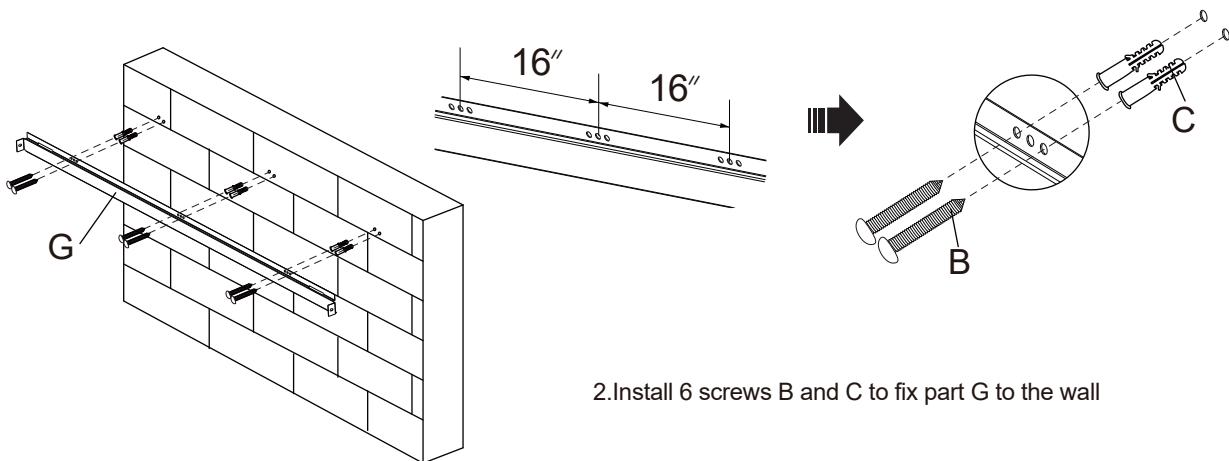


Only qualified person can perform the installation.

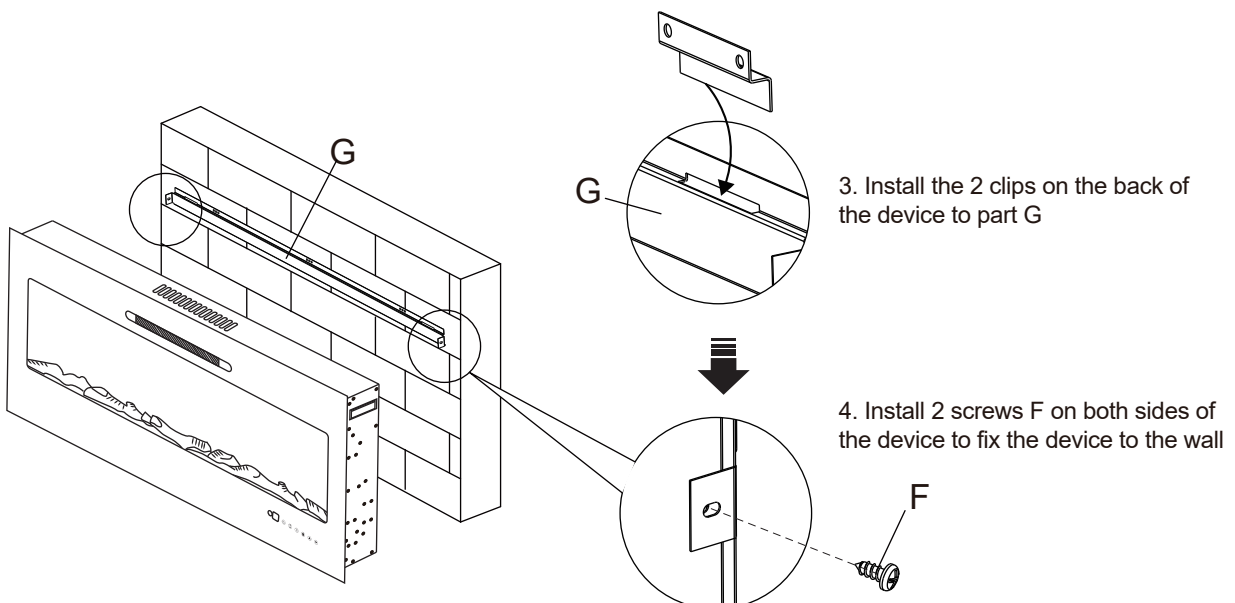
Due to the many different materials used on different walls, it is highly recommended that you consult your local builder before you install this appliance on the wall.



1. You can see 2 clips on the back of the device



2. Install 6 screws B and C to fix part G to the wall



3. Install the 2 clips on the back of the device to part G

4. Install 2 screws F on both sides of the device to fix the device to the wall

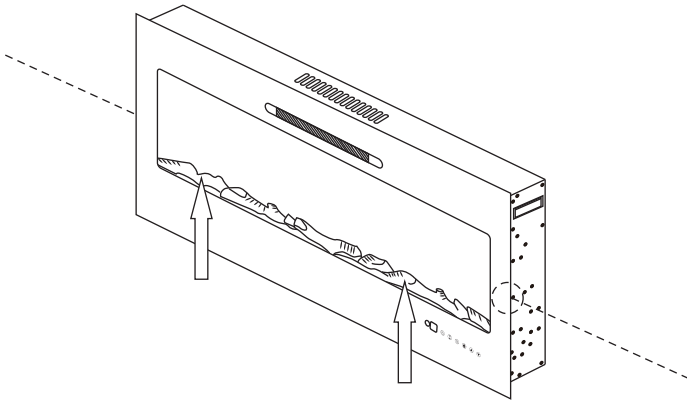
Logset /Crystal Ember Installation



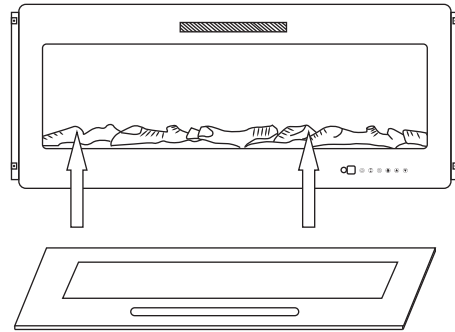
WARNING



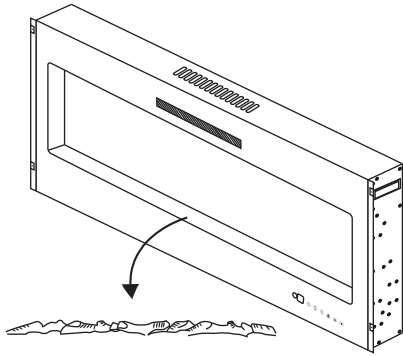
Only qualified person can perform the installation.



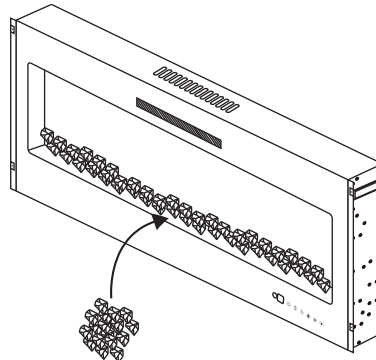
The fourth screw from top to bottom



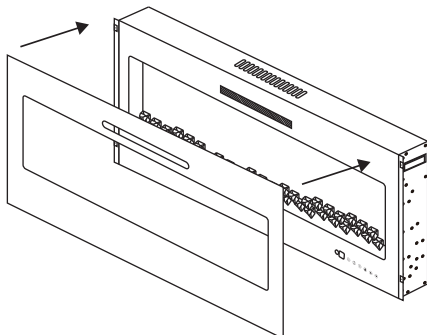
1.Remove the screws (The fourth screw from top to bottom) on both side of the device to remove the front glass.



2.Take out the logset inside.



3.Put the decorative crystals in.



4.Install the glass plate.



Please Note



- 1.When replacing the logset or d crystals, you need to turn off the power.
- 2.When using log set, you need to take out the white shading plate inside.
- 3.When using decorative crystals, suggest to

WARNING

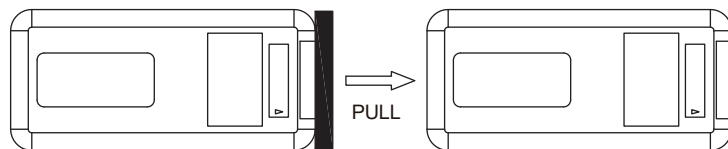
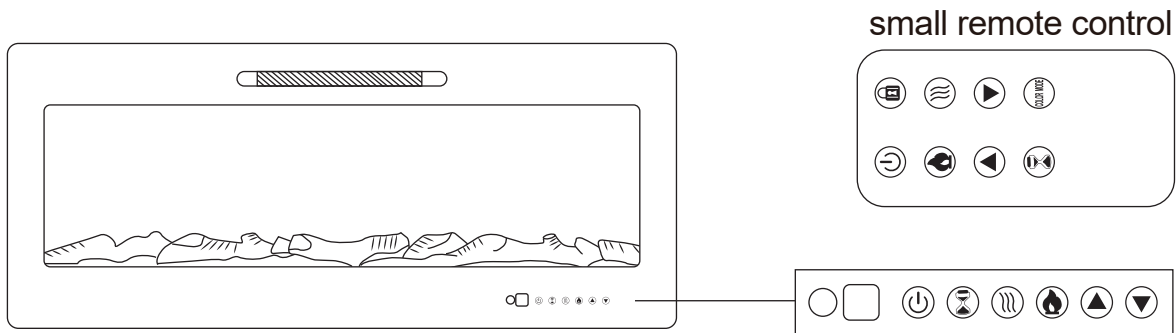


Read and understand this entire owner's manual, including all safety information, before plugging in or using this product. Failure to do so could result in electric shock, fire, serious injury, or death.


OPERATION INSTRUCTION :





Plug in a power plug hear a long buzzer and the electric fireplace is in standby mode. Press the POWER key on the keyboard to show red, and the rest of the display is not displayed. At this time, the electric fireplace is in standby mode.




Note: the ICONS on the keypad have the same function as the ICONS on the remote control.



Remove the remote control insulation sheet.

ICONS	FUNCTIONS
 POWER	<p>Switch on/off Button: Switch On: Press the POWER button on keyboard or on remote control with a short buzzer sound, the electric fireplace starts to work, the POWER button on the keyboard with blue color, other keys with white color, the LED lights on the front and back start to light up, the display window shows the room temperature . When the input terminal of the controller is energized (that is, the power supply is 110V), only the power indicator of the touch panel lights up, and the digital tube and other lights are off.</p> <p>Self-check Function when plugged in: The fan and heating frame will run for 30 seconds and 10 seconds to dissipate heat after plugging in. All 9 flame colors will be on once, each frame color will last for 3 seconds, and the reflector motor and the light start synchronously, and keep rotating until the light goes out.</p> <p>Switch Off: Press the POWER button on keyboard or on remote control with a short buzzer sound, the LED light will be off/electric fireplace will be off/heating will be off. The POWER button on the keyboard will turn red to show all functions off. At the same time, the fan inside the fireplace will continue to last for 10 seconds after switching off, then the fireplace is in standby state.</p>

 <p>HEATER</p>	<p>High Temperature & Low Temperature Setting: Press "HEATER" button for 3 seconds to switch the temperature between °F and °C (Note: The switch function is not available for different batches of fireplaces.) The initial default temperature is 72°F. If you need the fireplace runs the low temperature heating mode, press the HEAT button on the touch panel or remote control to switch your desired mode (Low temperature mode). (Press the button for the 1st time, the display window shows that the current heating mode, such as the default mode is high temperature heating, that is,"HH". Press the button again, the display shows "LL", that is low temperature heating mode. Press the button for the 3rd time, it displays OO, that is, the heating mode became OFF mode. The heating mode will be work on "HH-LL-OO" three modes in cycles.) If you need to turn off the heating setting, you can also press the "DOWN" button. If the setting temperature is lower than room temperature, the heating function cannot be activated. When the heating is turned off, the fan inside the electric fireplace will work last for 10 seconds before totally stopped.</p>
 <p>TIMER</p>	<p>Timer Setting: Timer can be set between 0-12 hours. The default timer is 0 hours. You can set it according needs with "TIMER" on touch panel or remote control. Press "TIMER" button when the display window shows "00" and flashes, then the timer will change (From 0.5H-1.0H-1.5H-2H-...-11H-11.5H-12H) when you press. After setting to the required timer, the indicator light will flash for 10 seconds, then the setting is successful. Then the display window could back to show the room temperature.</p>
	<p>Temperature Increasing Button: The temperature can be set from 60°F (15°C) to 97°F (36°C) . The default temperature is 72°F (22°C). Press the "UP" button on touch panel or remote control each time, the temperature will add 1°F/1°C. Press the "UP" button for a long time, the number of temperature will continually increase until maximum temperature. After 10 seconds no operation on temperature setting, the display window will back to the room temperature.</p>
	<p>Temperature Decreasing Button: The temperature can be set from 60°F (15°C) to 97°F(36°C). The default temperature is 72°F (22°C). Press the "DOWN" button on touch panel or remote control each time, the temperature will decrease 1°F/1 C . Press the "DOWN" button for a long time, the number of temperature will continually decrease until minimum temperature (Long-time pressing is not suitable on the remote control). The red light flashes when setting. After 10 seconds no operation on temperature setting, the display window will back to the room temperature.</p>

 FLAME	<p>Flame Brightness Setting: The flame brightness is on the brightest mode by default. There are 5 flame brightness levels. If you need to adjust the flame brightness, press the "DIMMER" button, the brightness of the LED lamp will become dark, and the display window of digital tube will show the level of the brightness. (In the middle of the digital tube will show the brightness level (5-4-3-2-1)). Every time pressing the DIMMER button, the number will minus 1, when the flame is in the darkest, then you press the DIMMER button, it will be back to the brightest flame again.</p>
 COLOR MODE	<p>Flame Color Setting: The initial flame color is orange. Press the "COLOR MODE" button on the remote control, the display window will change from the temperature interface to the flame color setting interface. Each time you press, the flame color will change to: C-1 Orange; C-2 Green; C-3 Blue; C-4 White; C-5 Green + Orange; C-6 orange + blue; C-7 orange + white; C-8 Green + Blue; C-9 Green + White.</p>
 LOCK	<p>Child Lock Setting: The remote control and touch panel have child lock function. After finished all functions settings, press the "UP"and "Down" button together for 3 seconds, or press "child lock" button on remote control, you will hear the short buzzer sound, then the fireplace is in locked function, and all the buttons can not be operated. In the middle of the display window is in a flickering state and shows "L" . After 10 seconds, the display window will be back to the room temperature display. If you want to operate the keyboard and the remote control again, you need to press the "UP" and "DOWN" button together on keypad for 3 seconds or "child lock" button on remote control for one second, and you will hear the short buzzer sound, then the child lock function is unlocked.</p>

13. Room temperature display error correction function:

When in use the heater, if the heater display the room temperature with the actual room temperature have error, you can use the temperature display error correction function to change the display window room temperature, through long time press TIME key on the keypad by 3 seconds, then the display window of room temperature normally light change to temperature correction display, The digital display is in the flashing display mode. When the first time used the temperature error correction function, Press the TIME button for 3 seconds, and the display window will be displayed as 0. At this time, every time you press the up or down key of the remote control, the display window will be up +1 or down -1 accordingly, and the correction range is between -9 and 9. If on the temperature error correction mode, 10S no operate of the keypad or remote control, then the display window will be turned back to the room temperature display mode.

14. Screen protection function:

The heaters have a screen protection function, If the heaters after working without operation on the keypad or remote control after 30 seconds, the heater will be closed the keypad all display light expect the power on light. The heaters on normal work, if you need wake up the display again, then you only press any button on the keypad or on the remote control then it can be shown again.

15. NTC Error Alarm Function:

The temperature can be adjusted when NTC plugged in. Unplug the NTC, the display window will display "E-1", and the temperature touch button cannot be operated.

NOTICE

When the heater is first turned on, a slight odor may be odor may be present. This is normal and should not occur again unless the heater is not used for a long period of time.

NOTICE

To improve operation, aim the remote control at the front of the fireplace. DO NOT press the buttons too quickly. Give the unit time to respond to each command.

Temperature Limiting Control

This heater is equipped with a Temperature Limiting Control. Should the heater reach an unsafe temperature, the heater will automatically turn OFF. To reset:

1. Turn the ON/OFF switch on the CONTROL PANEL to OFF. Wait 5 minutes.
2. Unplug the power cord from the outlet.
3. Inspect the fireplace to make sure no vents are blocked, or clogged with dust or lint. If they are, use a vacuum to clean the vent areas.
4. With the POWER switch in the OFF position, plug the power cord back into the outlet.
5. If the problem continues, have your outlet and wiring inspected by a professional.

Remote Control Battery Information

Small remote control uses one CR2025 battery(included)

NOTICE

Remote control battery used depends on the remote control type which selected above.

NOTICE

Remote control battery used depends on the remote control type which selected above.



NEVER dispose of batteries in fire. Failure to observe this precaution may result in an explosion. Dispose of batteries at your local hazardous material processing center.

CARE AND MAINTENANCE

Cleaning



ALWAYS turn the heater **OFF** and **unplug the power cord from the outlet** before cleaning, performing maintenance, or moving this fireplace. Failure to do so could result in **electric shock, fire, or personal injury**.



NEVER immerse in water or spray with water. Doing so could result in **electric shock, fire, or personal injury**.

Metal

- Buff using a soft cloth, slightly dampened with a citrus oil-based product.
- **DO NOT** use brass polish or household cleaners as these products will damage the metal trim.

Glass:

- Use a good quality glass cleaner and dry thoroughly with a paper towel or lint-free cloth.
- **NEVER** use abrasive cleansers, liquid sprays, or any cleaner that could scratch the surface.

Vents:

- Use a vacuum or duster to remove dust and dirt from the heater and vent areas.
- Clean the exterior of the fireplace with a slightly damp cloth or duster.

Maintenance



Risk of electric shock! DO NOT OPEN! No user-serviceable parts inside!



ALWAYS turn the heater **OFF** and **unplug the power cord from the outlet** before cleaning, performing maintenance, or moving this fireplace. Failure to do so could result in **electric shock, fire, or personal injury**.

Electrical and Moving Parts:

- The fan motors are lubricated at the factory and will not require lubrication.
- Electrical components are integrated in the fireplace and are not serviceable by the consumer.

Storage:

- Store heater in a clean dry place when not in use.



WARNING! No other servicing should be performed by the consumer. Do not attempt to service the unit yourself.

Troubleshooting



WARNING



DISCONNECTED THE APPLIANCE COMPLETELY AND LET COOL PRIOR TO ANY SERVICE.

ONLY A QUALIFIED SERVICE PERSON SHOULD SERVICE AND REPAIR THIS ELECTRIC APPLIANCE.

Problem	Possible Cause	Solution
1.Fireplace turns off and will not turn on.	1.Fireplace has overheated and safety device has caused thermal switch to disconnect or home circuit breaker has opened.	1. Pull the plug, wait 5 minutes to plug it back in and turn it on.
2.Flame is not moving.	1.Loose wiring. 2.Flame motor defective. 3.Flame rod out of place.	1.Inspect wiring for loose connections. 2.Call a qualified service technician to replace flame motor. 3.“Flame Rod” out of place due to rough transit/handing of the product. This issue can be corrected as simple as removing the glass, flipping the fireplace upside and down, removing a set of screws that are holding the bottom frame plate and placing the flame rod back into place.
3.Flame is not visible.	1.Wiring is loose.	1.Disconnect from power source and inspect wiring for loose connections and repair or replace if necessary. 2.Push the flame button to high.
4.Log set and / or is not glowing.	1.Wiring is loose 2.Ember is off mode	1.Disconnect from power source and inspect wiring for loose connections and repair or replace if necessary.
5. Remote control does not work.	1.Low batteries. 2.Not aiming control correctly. 3.Defective remote control and / or sensor	1.Replace batteries in remote control. 2.Aim control at sensor located directly behind glass screen in center of unit just above logs. 3.Replace remote control and/or sensor.