



THREE SEAT SOFA

ASSEMBLY INSTRUCTIONS

IMPORTANT:

Please read all the instructions and warnings before assembling.

WARNING:


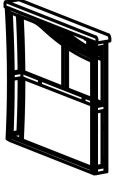
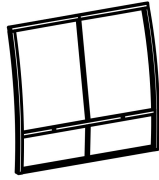
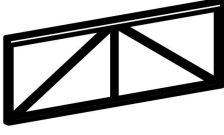

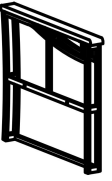
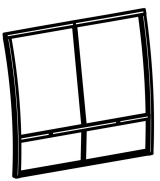
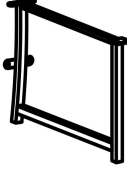
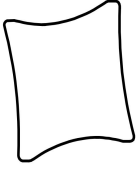

- **All bolts shouldn't be tightened until the complete piece is assembled (This will make the assembly process much easier). Once the piece is fully assembled, then go back and tighten all bolts with provided tool.**
- Keep all children and pets away from assembly area.
- Keep assembly area at least 6 feet from any obstruction such as a fence, garage, house, overhanging branches, laundry line or electrical wires.
- Some parts may contain sharp edges. When assembling and using this product, basic safety precautions should always be followed to reduce the risk of personal injury and damage to the product.
- The sofa is not to be used for standing purposes and will not function as a stool or step-ladder. Use on even surfaces only.
- **The sofa is not a toy. Proper use of the sofa is for three persons seating only. Sofa tested for use at weight of 750 lb. Improper use of this product or failure to use as directed may result in injury. Not intended for commercial use.**
- **Warranty:** One year limited warranty. Proof of purchase (dated register receipt) is required for warranty claims. It remains the customer's responsibility for freight and packing charges to and from the service center.

CARE & MAINTENANCE

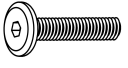
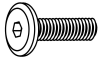

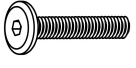

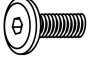





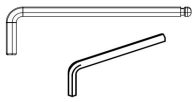
- **STAIN RESISTANT CUSHIONS CARE — KEEP THE CUSHIONS IN STORAGE ON RAINY DAYS.**
- **SPILLS:** Immediately wipe up the spill using a white damp cloth. Repeat process if necessary until stain is gone. Allow cushion to air dry.
- **FABRIC CARE:** Hand wash cold, non-chlorine bleach when needed, lay flat to dry. Cool iron if necessary. Do not dry clean.
- **ALL WEATHER WICKER PRODUCT CARE**

When not in use, wipe free of any dirt or loose objects, wash with a mild solution of soap and water, rinse thoroughly and dry completely. Do not use strong detergent or abrasive cleaners. Bolts can loosen over a period of usage, please check the bolts occasionally and re-tighten if necessary.

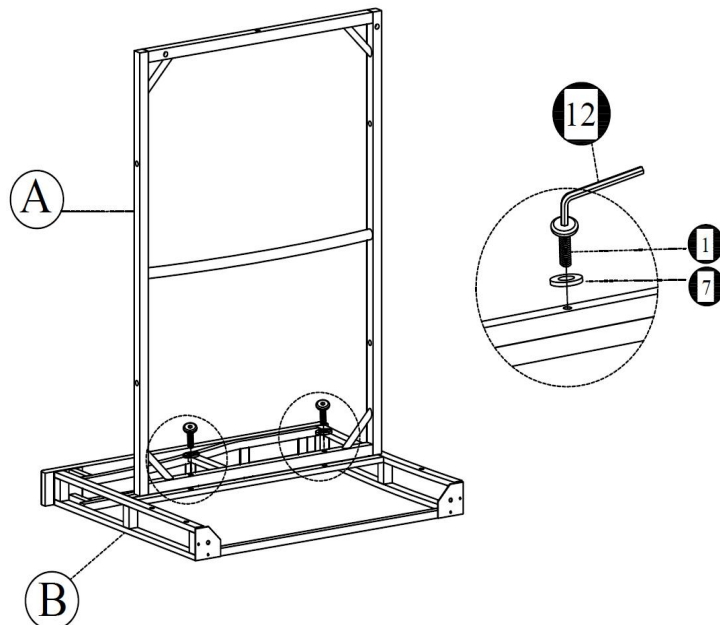
PARTS LIST FOR 1PC SOFA




A	B	C	D	E
				
1PC Right Seat Panel	1PC Right Arm	1PC Right Sofa Back	2PC Front Panel	1PC Left Seat Panel
F	G	H	K	L
				
1PC Left Arm	1PC Left Sofa Back	1PC Middle Foot	3PC Back Cushion	3PC Seat Cushion

HARDWARE FOR 1PC SOFA

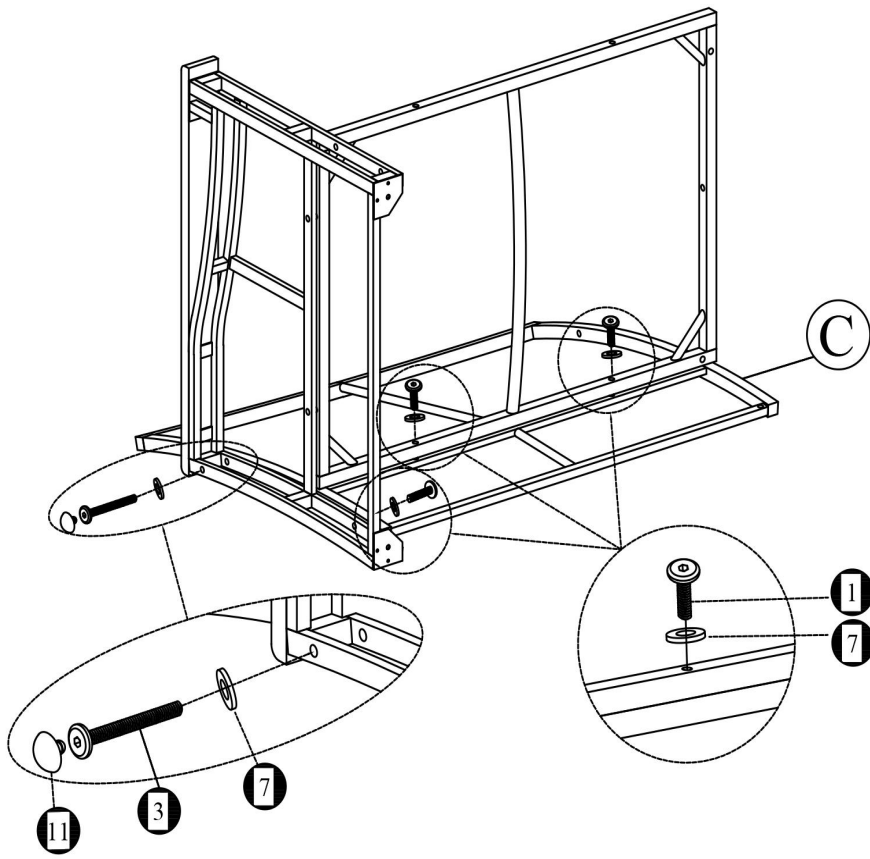
1	2	3	4	5
				
M6X40mm 20PC Bolt	M6X35mm 4PC Bolt	M6X90mm 2PC Bolt	M6X70mm 1PC Bolt	M6 1PC Steel Connector
6	7	8	9	10
				
M6X15mm 8PC Bolt	M6X14mm 31PC Washer	M6 3PC Nut	M10 1PC Open End Wrench	4PC Plastic Foot
11	12			
				
2PC Plastic Cap	M4 2PC Allen Wrench			


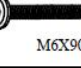

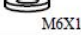
1. Keep the bolts loose.



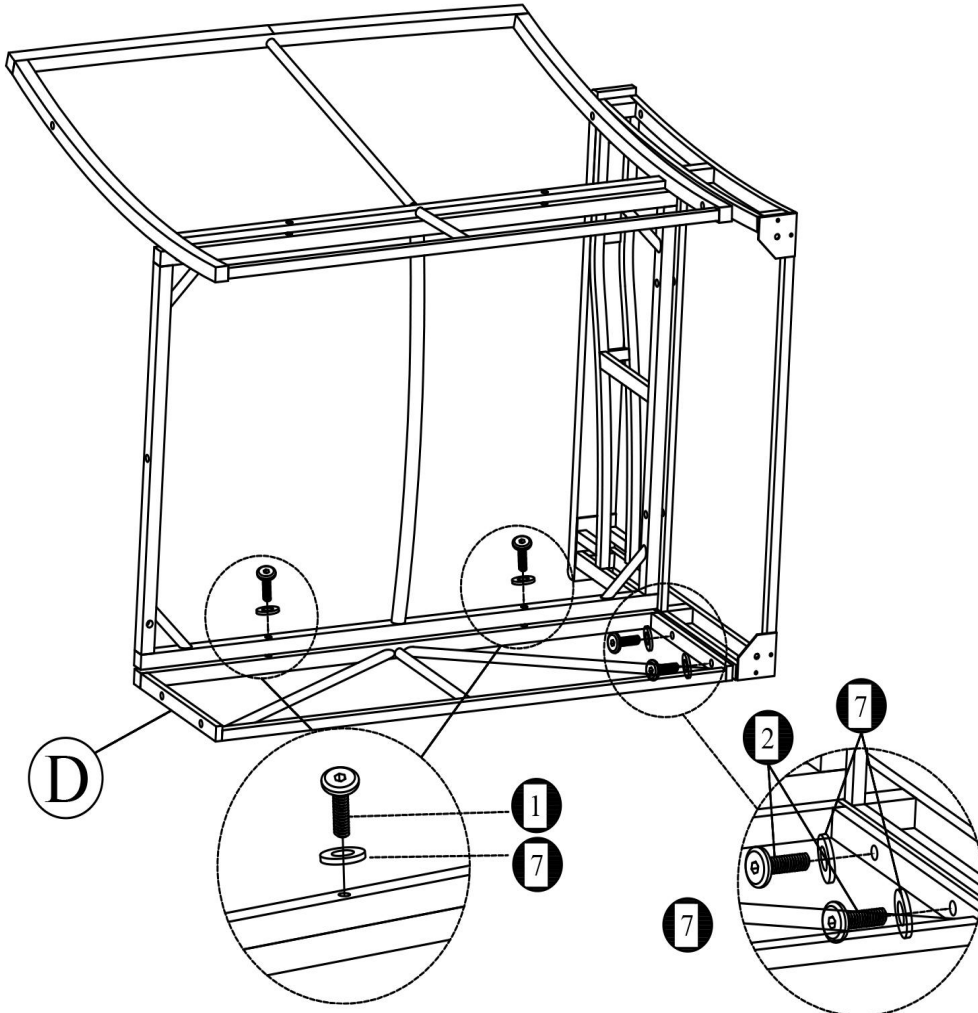
1		2
7		2
12		1


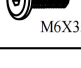
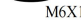
2. Keep the bolts loose.



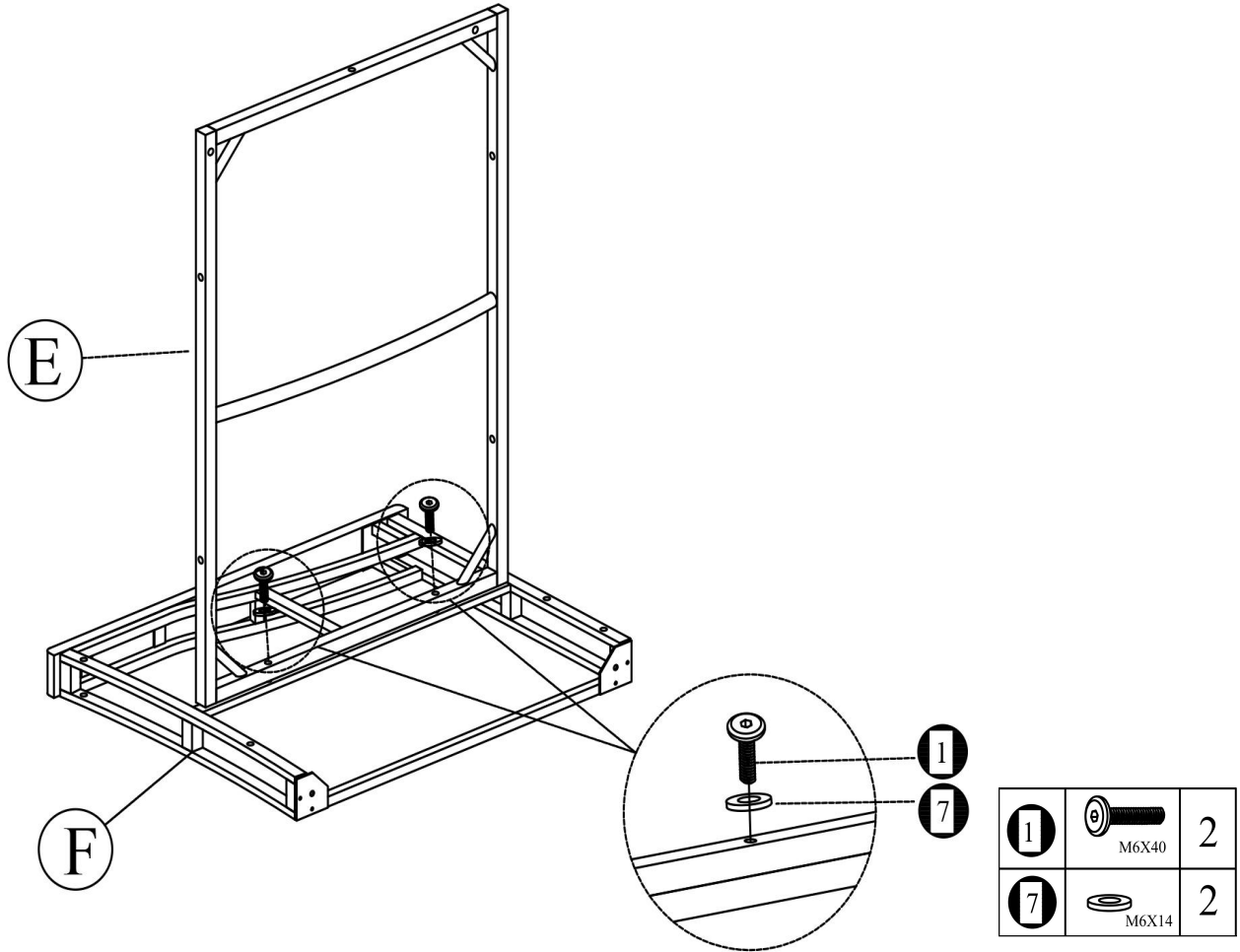
1	 M6X40	3
3	 M6X90	1
11		1
7	 M6X14	4

3. Keep the bolts loose.

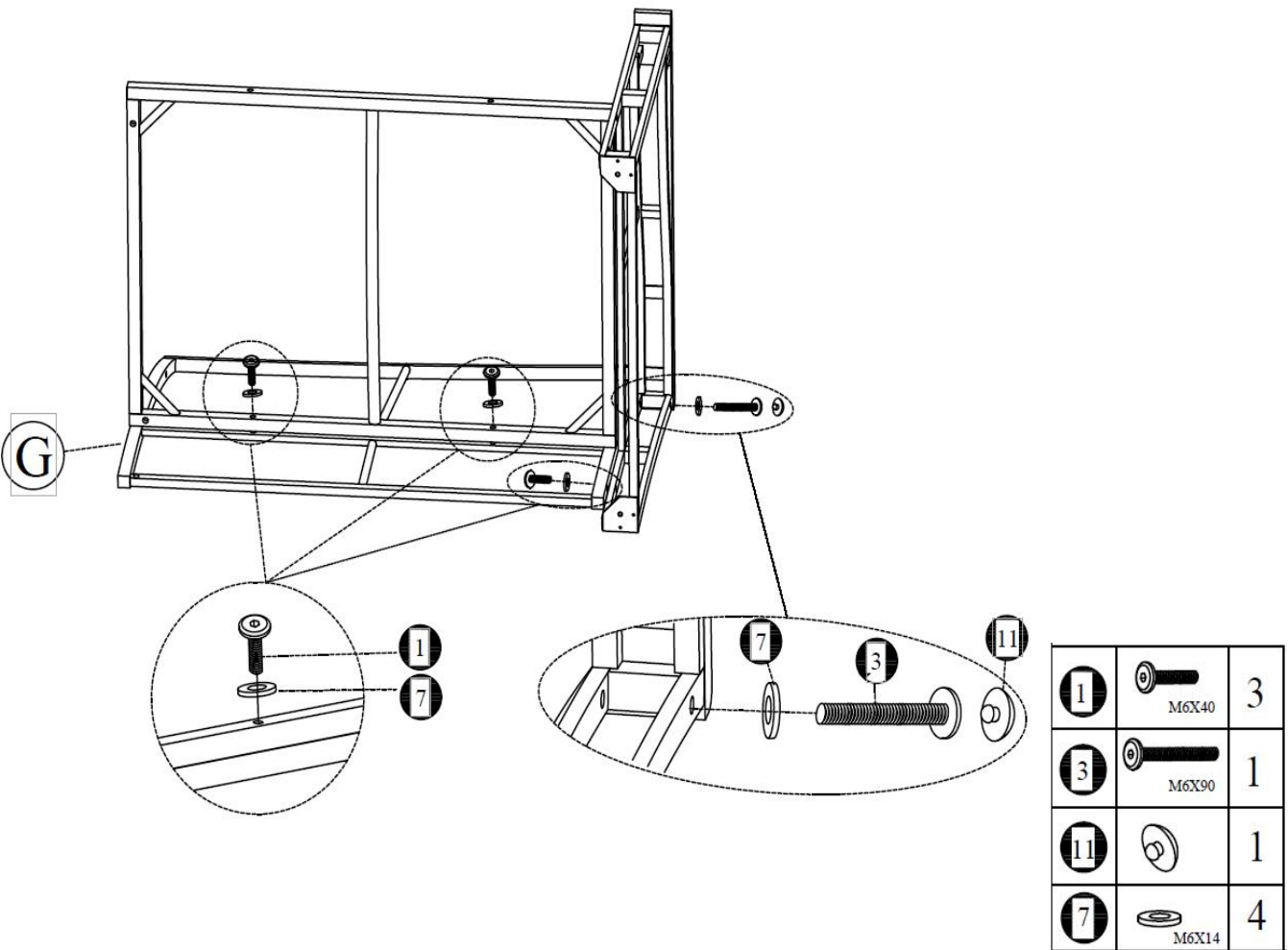


1	 M6X40	2
2	 M6X35	2
7	 M6X14	4

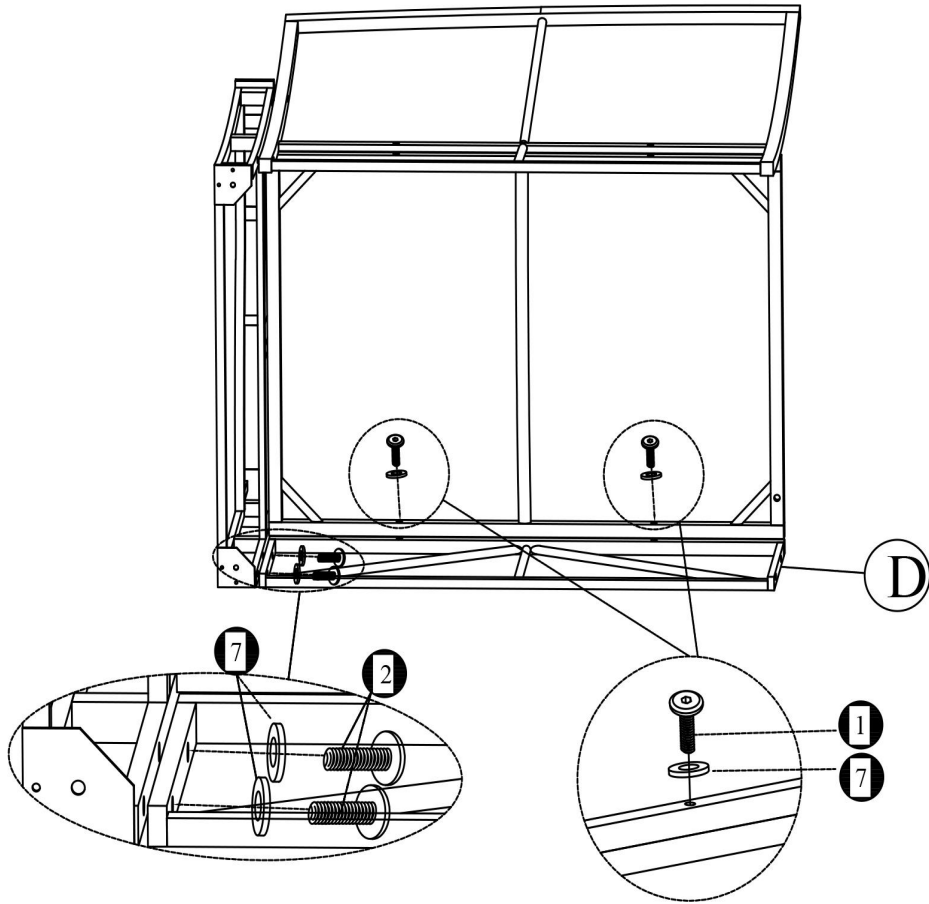
4. Keep the bolts loose.






5. Keep the bolts loose.

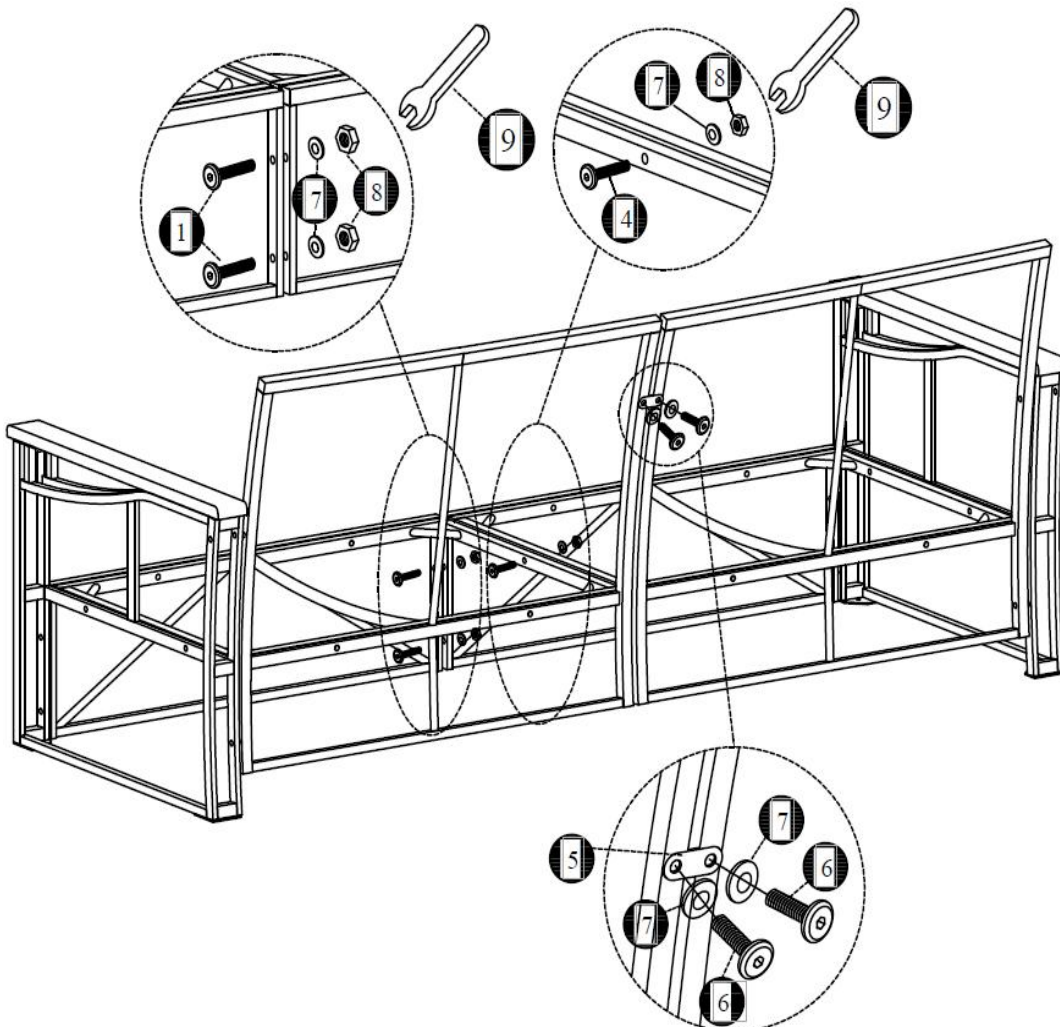








6. Keep the bolts loose.



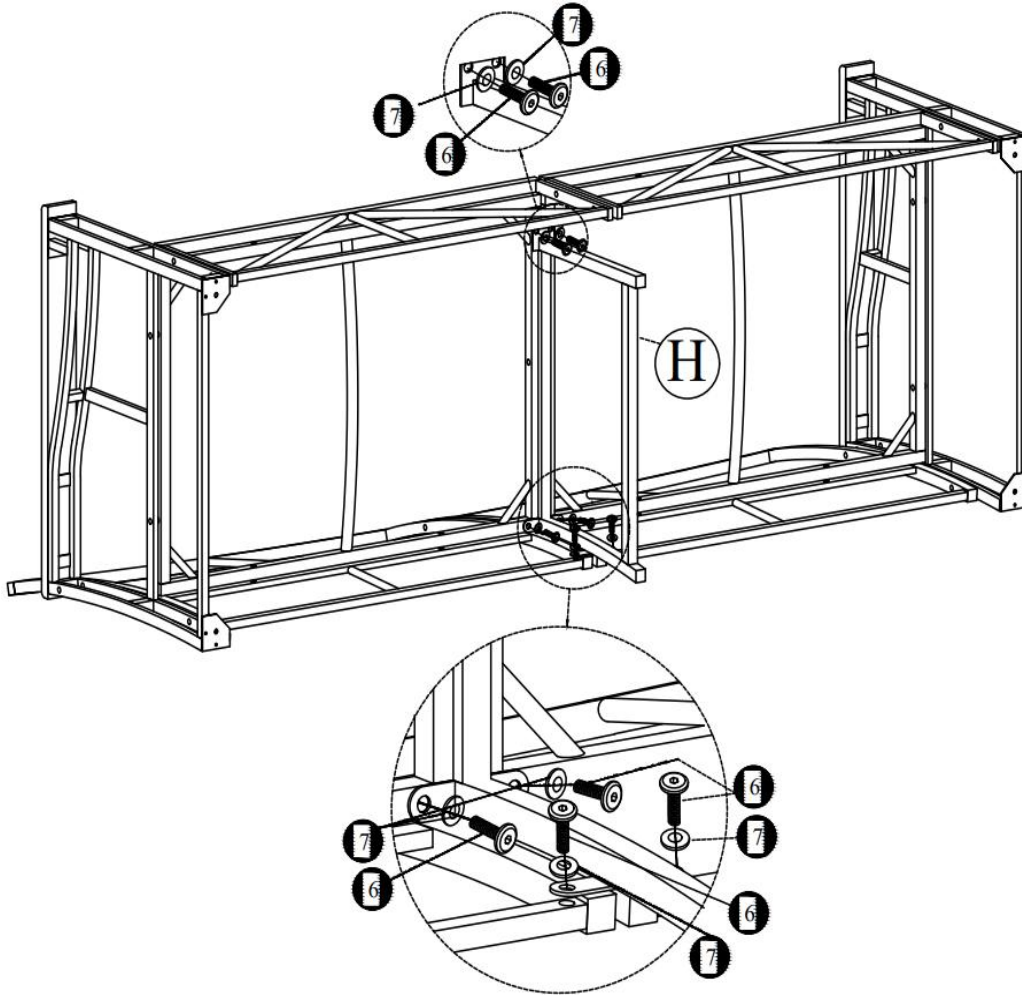
1	 M6X40	2
2	 M6X35	2
7	 M6X14	4



7. Keep the bolts loose.



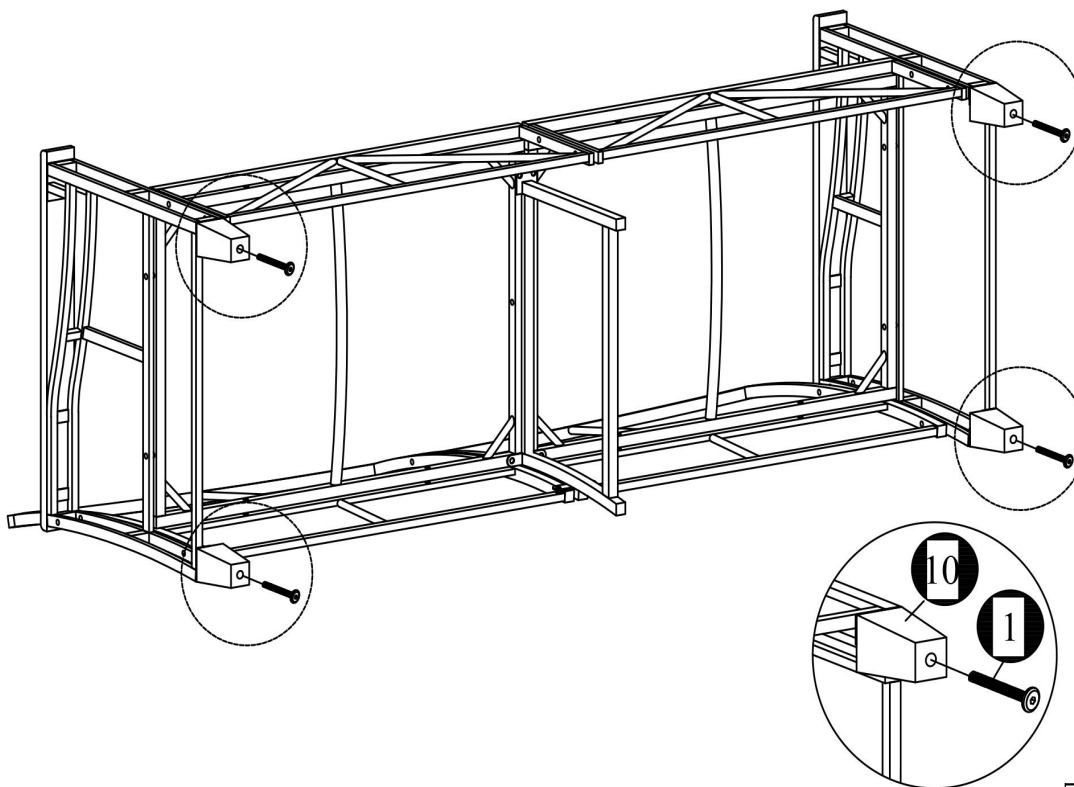
1	 M6X40	2
4	 M6X70	1
5		1
6	 M6X15	2
8	 M6	3
7	 M6X14	5

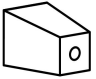

8. Keep the bolts loose.



6	 M6X15	6
7	 M6X14	6

9. Keep the bolts loose.



10		4
1	 M6X40	4

10. Tighten all bolts.



11. Put cushions onto the sofa.

