

artos[®]

FSC1018

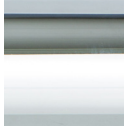
INSTRUCTION MANUAL

trova tub filler

BRUSHED NICKEL (BN)



CHROME (CH)



BLACK (BK)



SATIN BRASS (SB)



artos[®]

FSC1018

trova tub filler

OPERATING SPECIFICATIONS



FEATURES

All metal construction

OPERATING PRESSURE

Minimum: 15 psi

Maximum: 125 psi

Above 90psi it may be necessary to install a pressure reducer

OPERATING TEMPERATURE

Maximum: 176°

FLOW CAPACITY

6.3 USGPM

STANDARDS

ASSE 1016-2011 | ASME_A112.1016-2011 | CSA B125:16-11

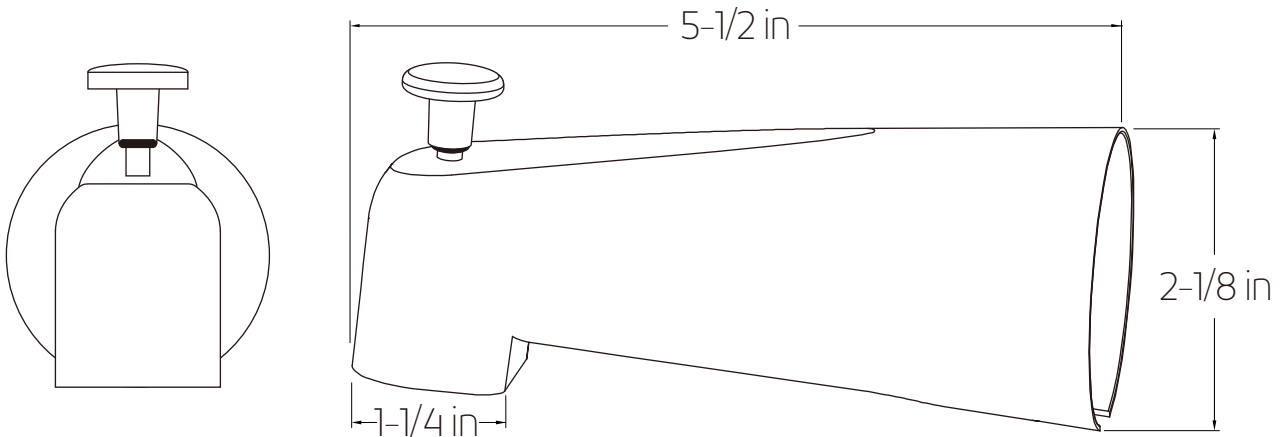


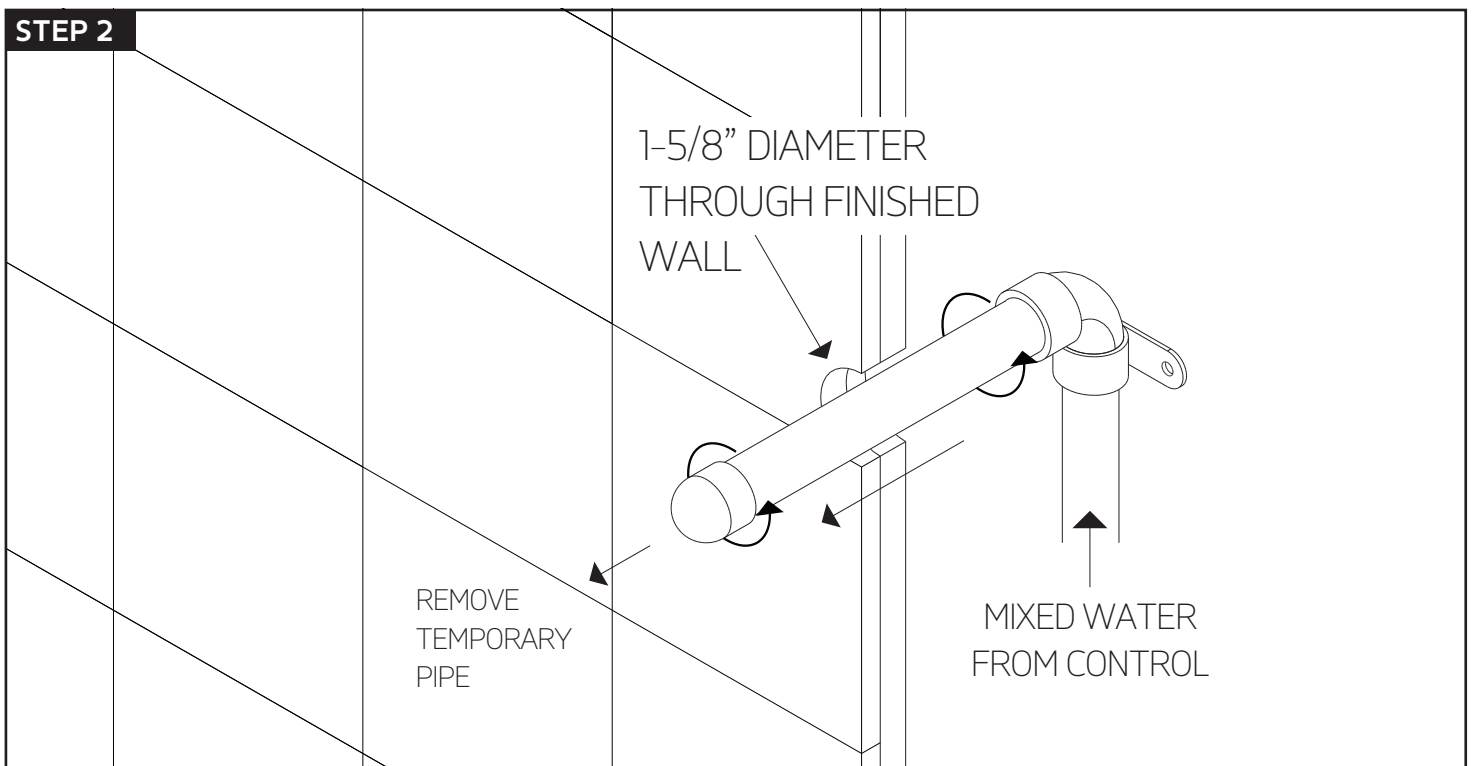
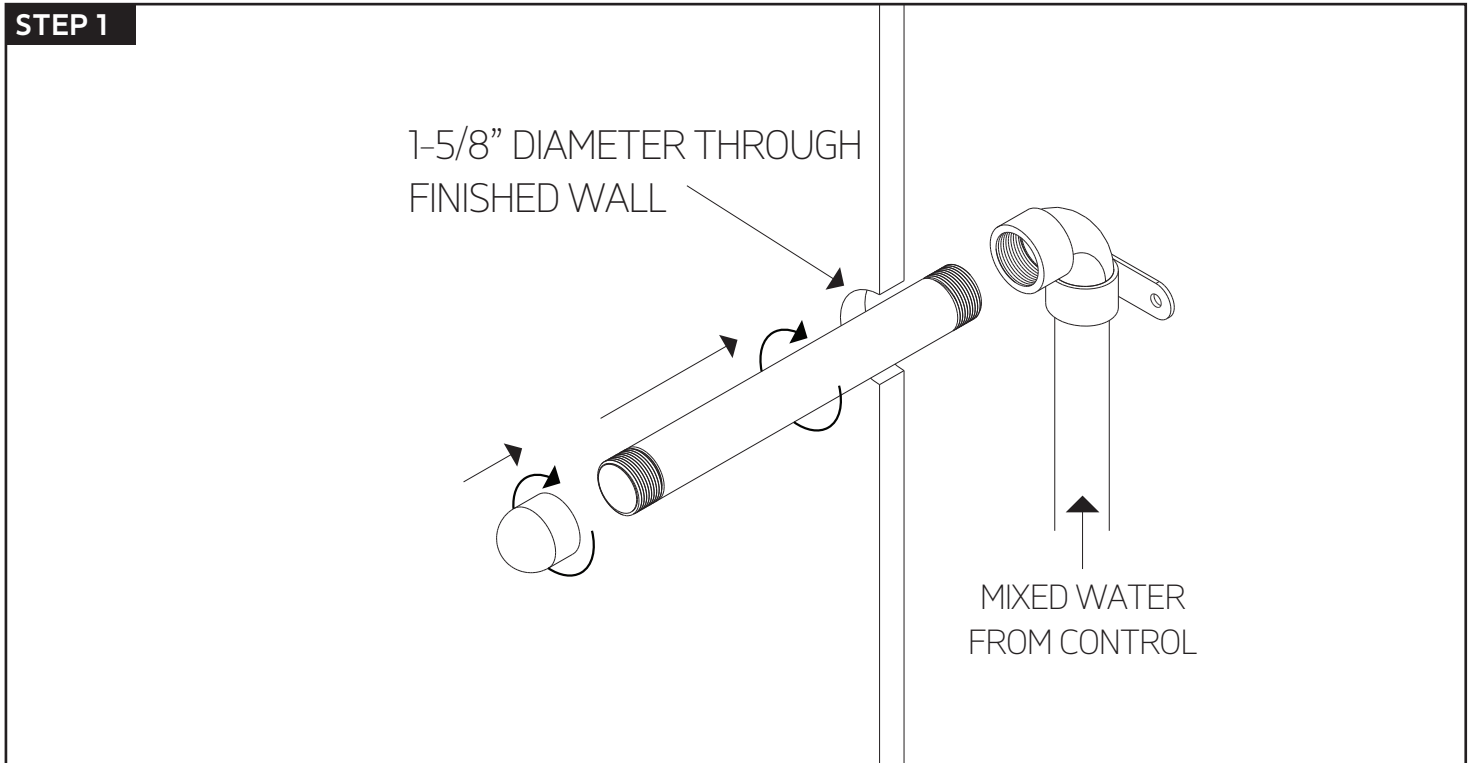
artos[®]

FSC1018

PRODUCT DIMENSIONS

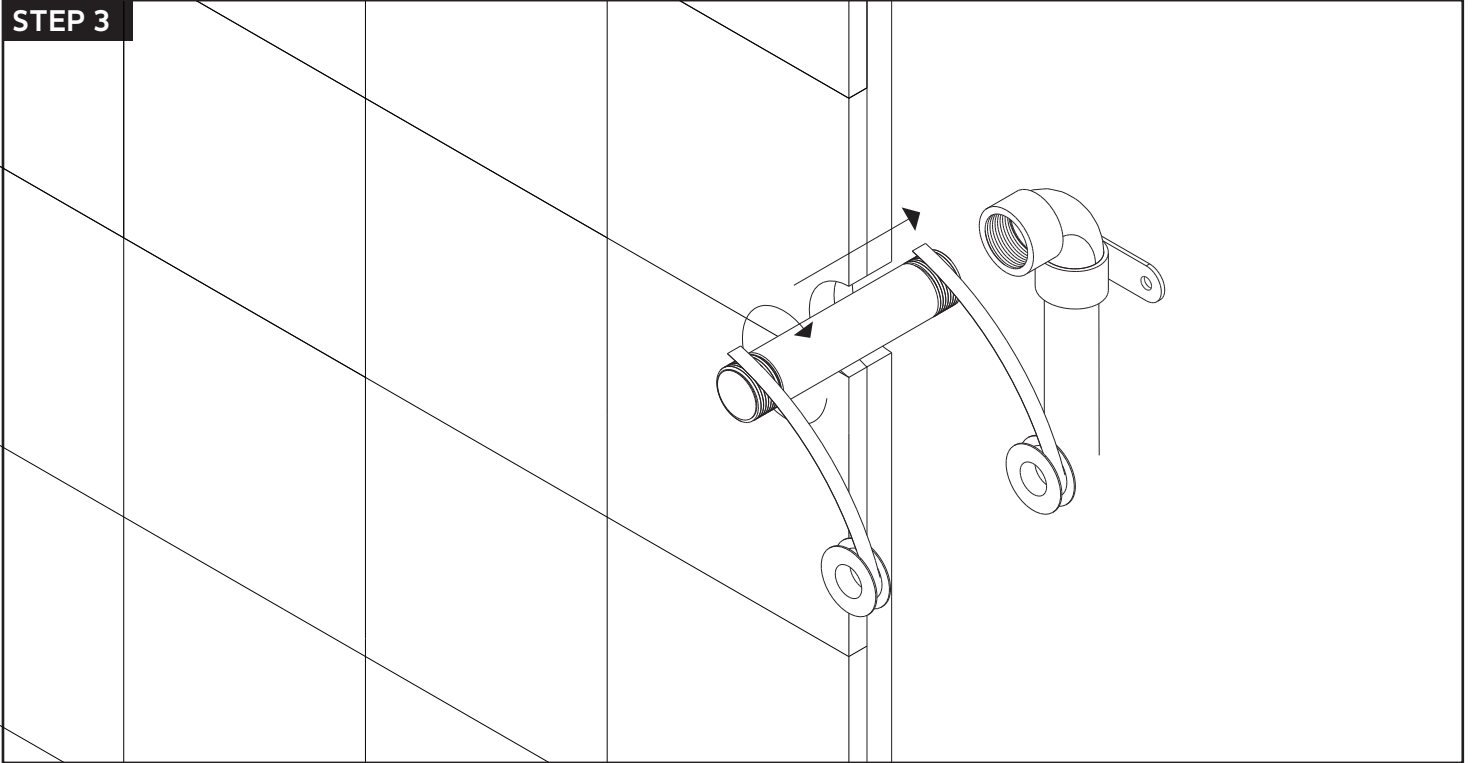
trova tub filler





INSTALLATION STEPS

STEP 3



STEP 4

