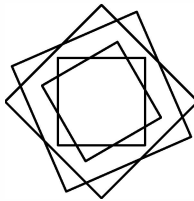
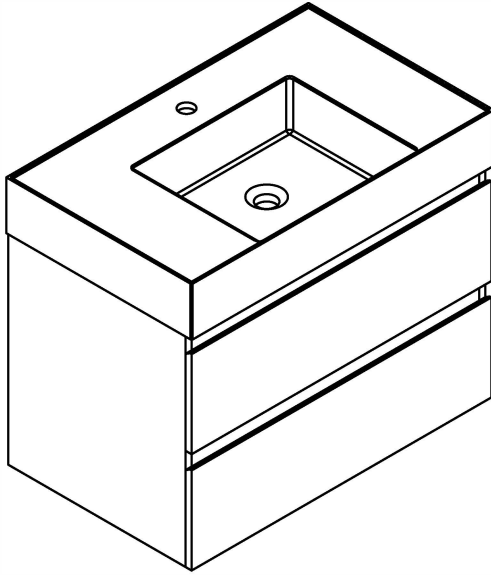


Installation Manual


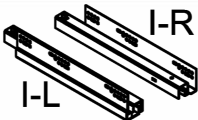
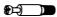
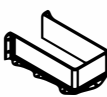










MOTIVATE
YOUR LIFE !



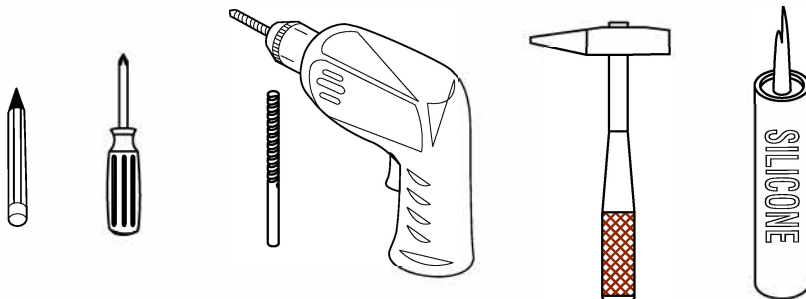
Thank you for shopping with us!

We encourage you to take a few minutes to go through this booklet. It contains important information on installation and care tips to keep your furniture looking as good as new.

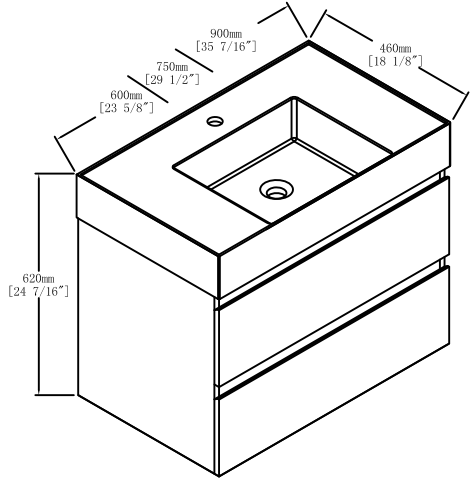
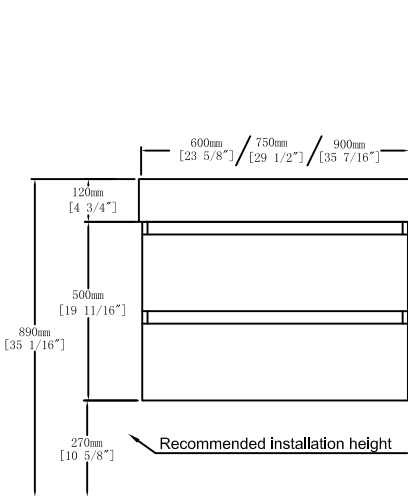
Hardware

NO.	Draw	QTY	NO.	Draw	QTY
A	 Screws Ø4x14mm	48	I	 Track	2
B	 Two-in-one connector	41	J	 U-Shaped plastic	2
C	 Two-in-one connector	41	K	 Screws Ø4x20mm	12
D	 Wood plug	2	L	 Screws Ø4x10mm	14
E	 Plastic anchor(Ø10mm)	4	M	 Anti-collision gasket	8
F	 Screws for fix on the wall	4	N	 Screwdriver	1
G	 Bracket (53x70x44mm)	2			
H	 Bracket (19x19x35mm)	2			

Recommended tools

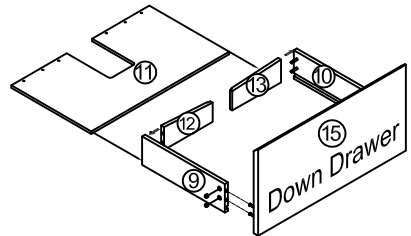
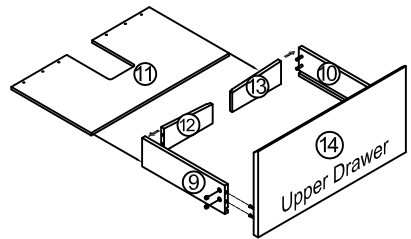
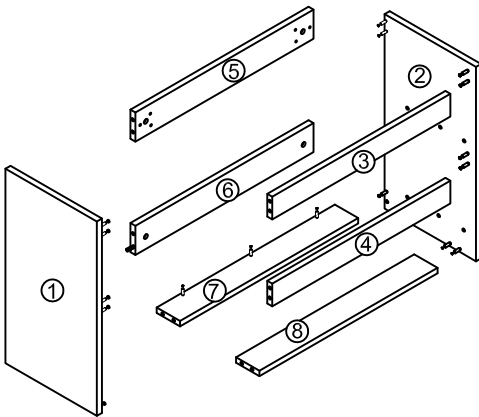


Dimensions



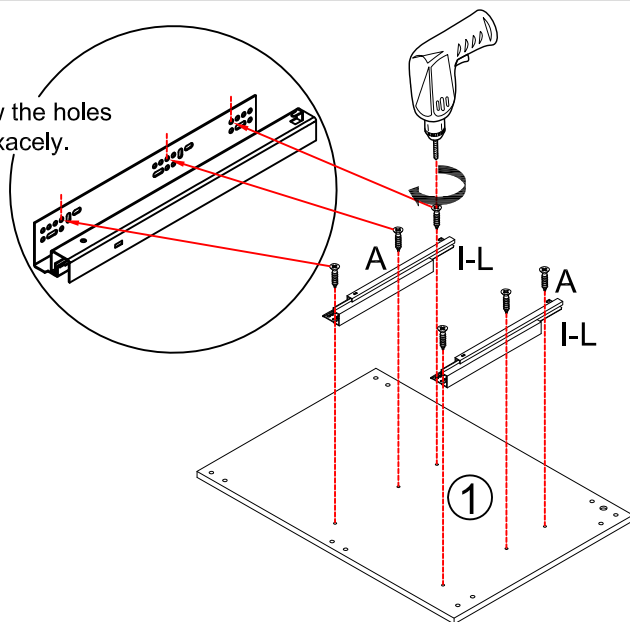
Floor

Components



Step 1

Note: Follow the holes positions exactly.



I
($\varnothing 4 \times 14\text{mm}$)



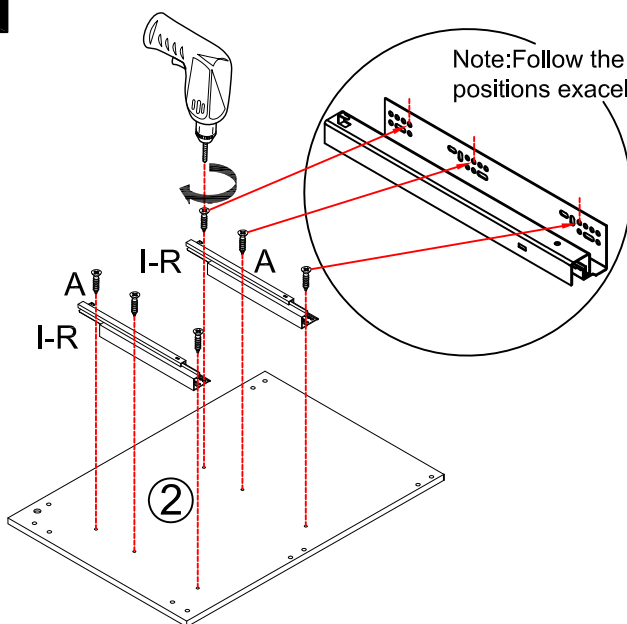
A



Tool

Step 2

Note: Follow the holes positions exactly.



I
($\varnothing 4 \times 14\text{mm}$)

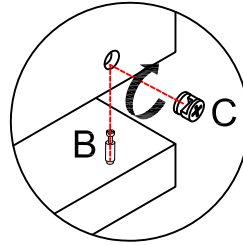
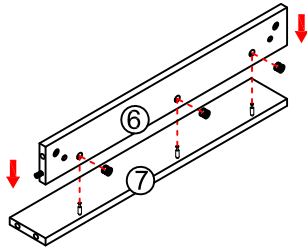


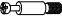


A

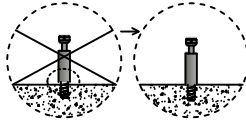
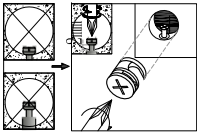


Tool

Step 3

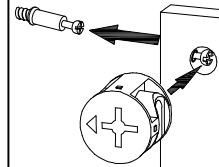


	x3
B	
	x3
C	
	
N	

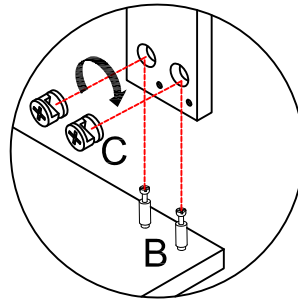
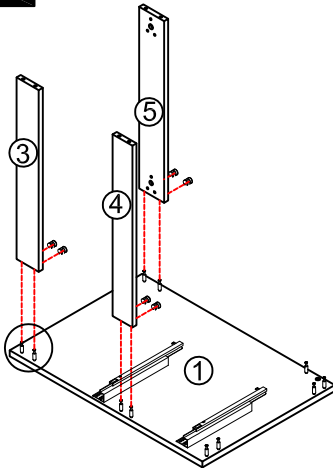


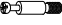


Notes: Screw installation depth as shown

Attention: The lock handle arrow points to the side face.

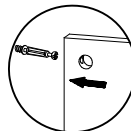


Step 4

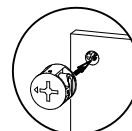


	x6
B	
	x6
C	
	
N	

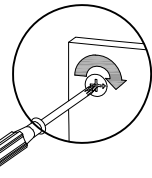
first step



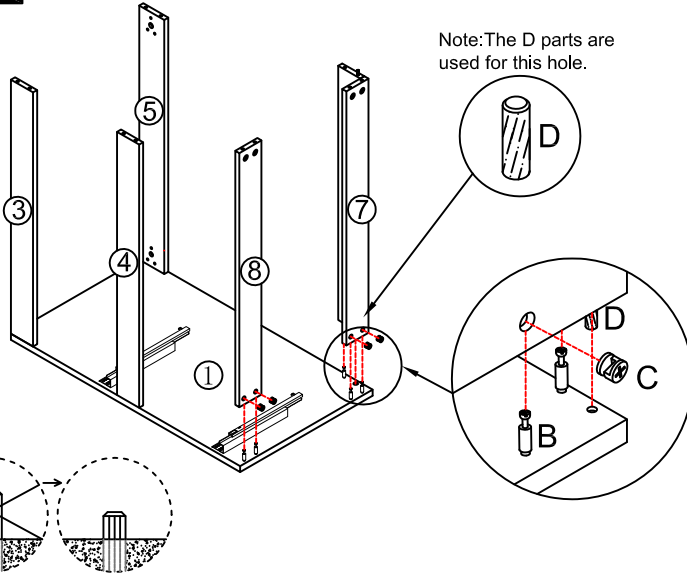
second step

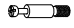


third step



Step 5



 x5

B



x5

C



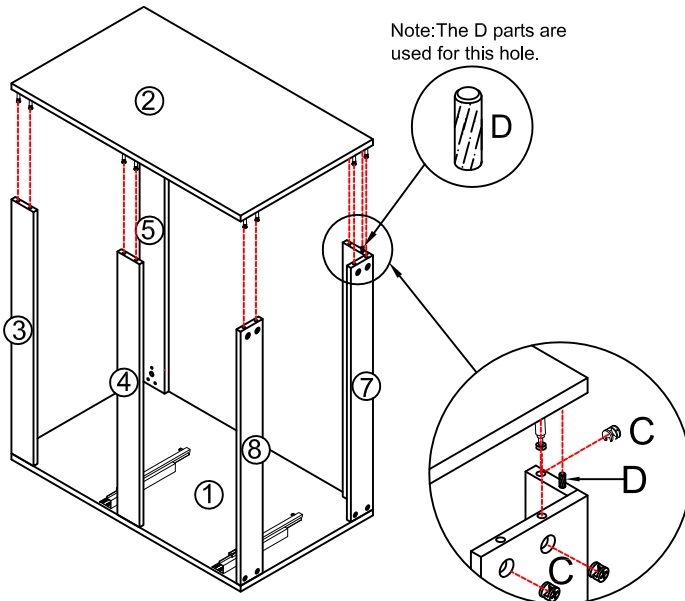
x1

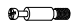
D



N

Step 6



 x11

B



x11

C



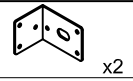
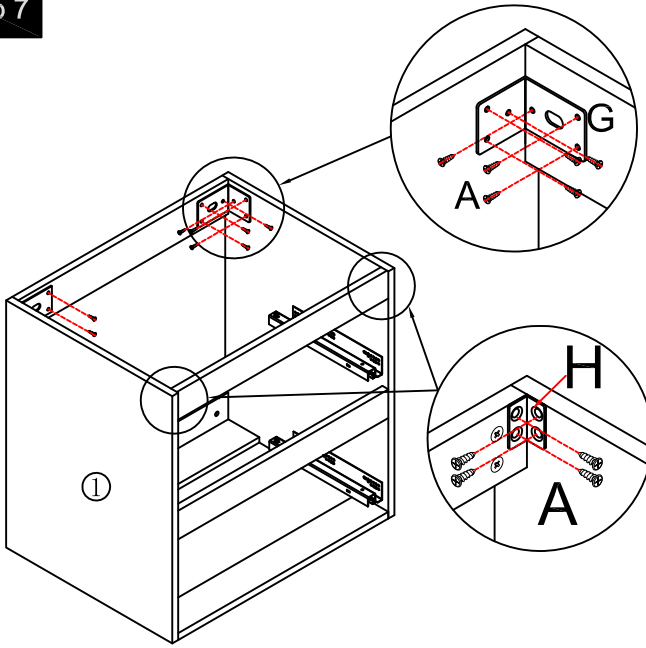
x1

D



N

Step 7



G



H

($\varnothing 4 \times 14\text{mm}$)

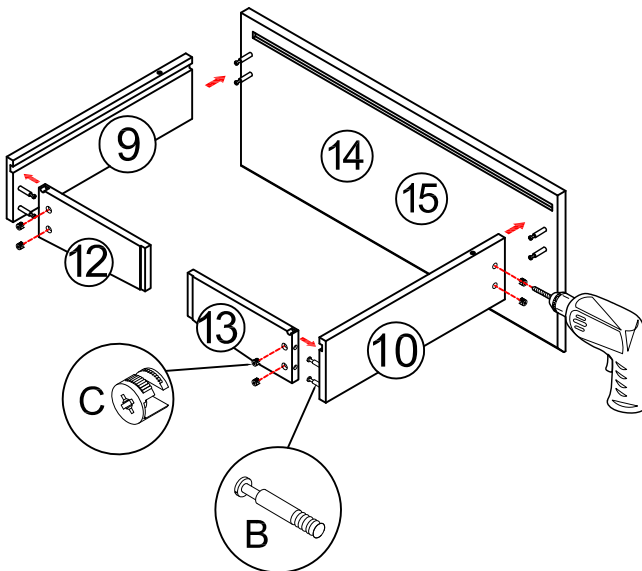


A



Tool

Step 8



B

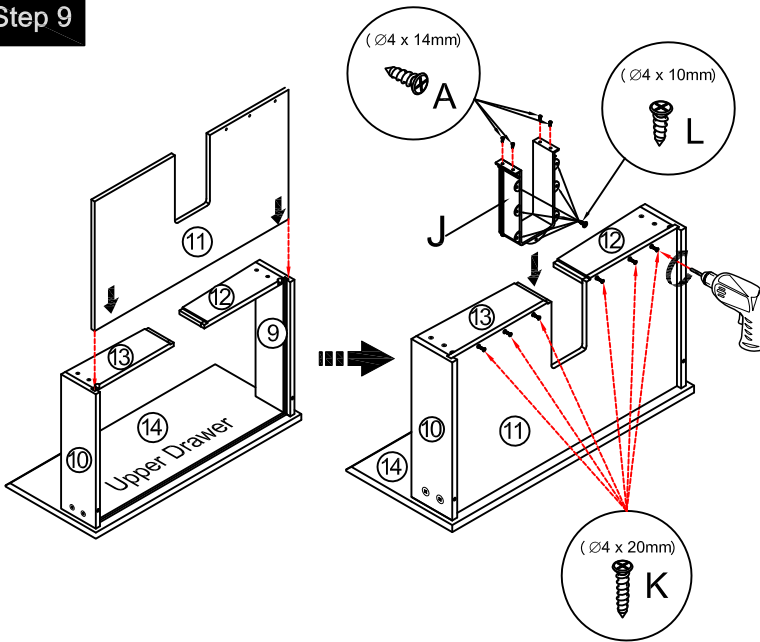


C



Tool

Step 9



(Ø4 x 14mm)

x4

A

(Ø4 x 20mm)

x6

K

(Ø4 x 10mm)

x7

L



x1

J

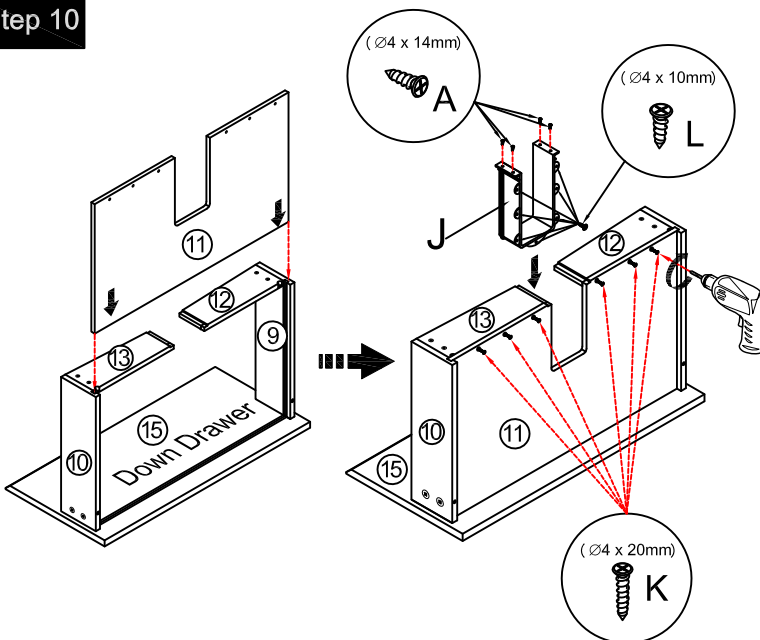


Tool

(Ø4 x 20mm)



Step 10



(Ø4 x 14mm)

x4

A

(Ø4 x 20mm)

x6

K

(Ø4 x 10mm)

x7

L



x1

J



Tool

(Ø4 x 20mm)



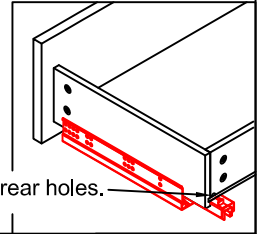
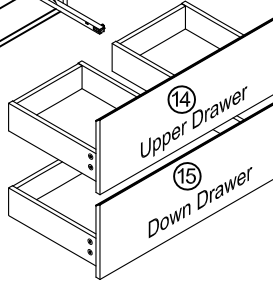
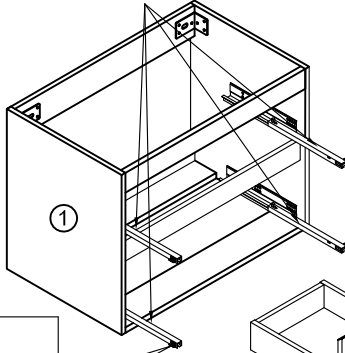
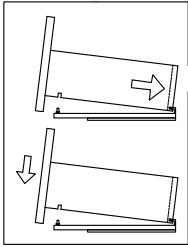
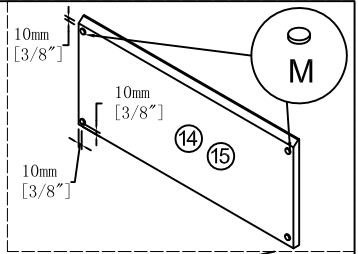
Step 11



x8

M

Note: Extend the sliding rail full .



Note: Stuck the rear holes.

Step 12

($\varnothing 4 \times 14\text{mm}$)

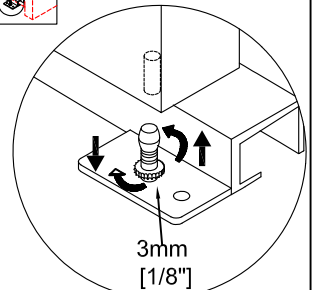
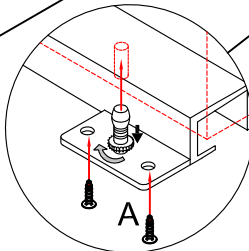
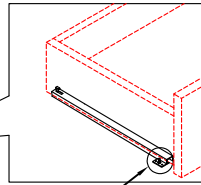
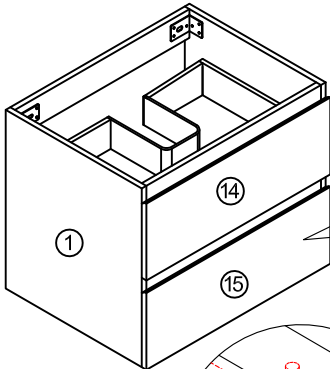


x8

A



Tool

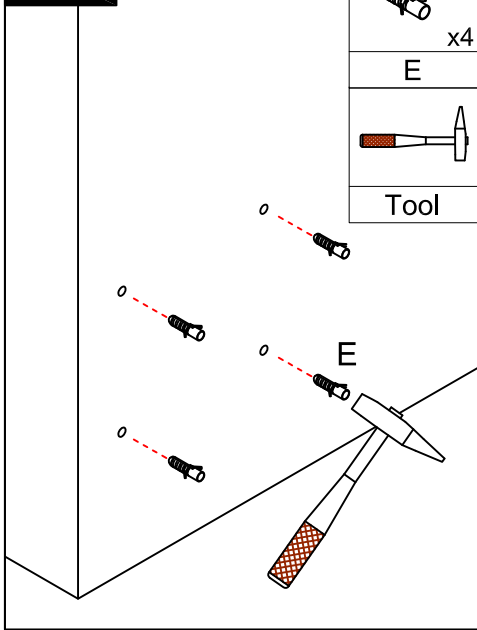


3mm
[1/8"]

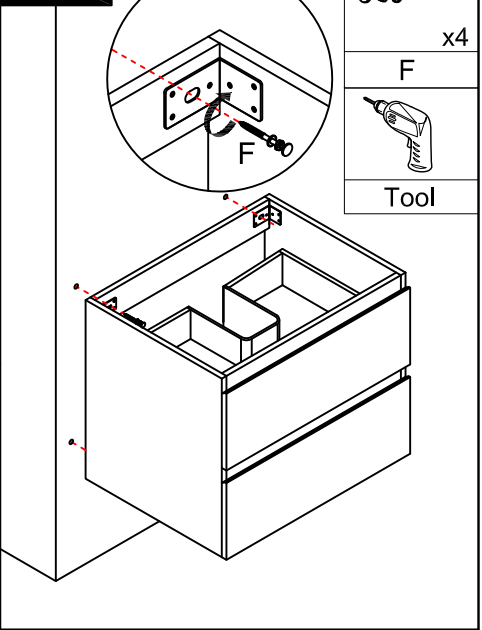
Note: The bottom of the rail is fixed with screw A

Note: The rails adjust their height 3mm.

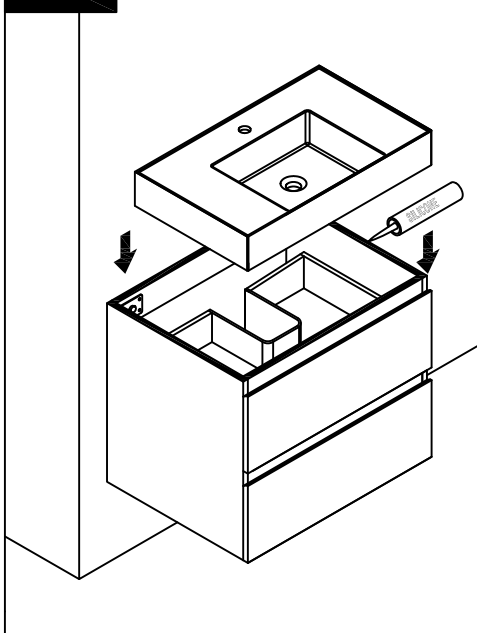
Step 13



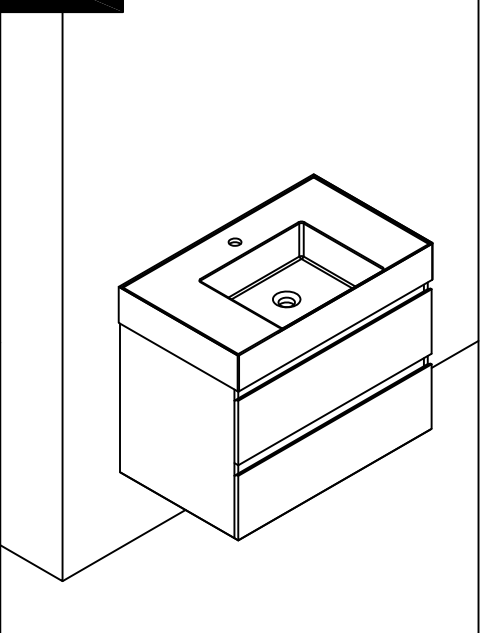
Step 14



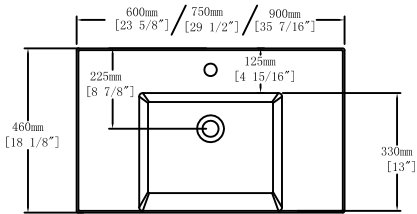
Step 15



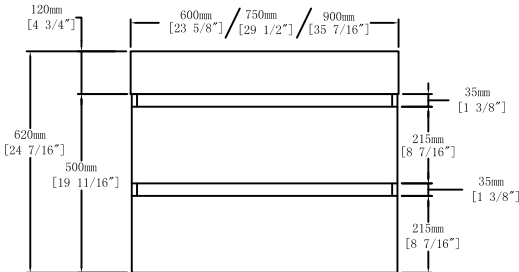
Finished



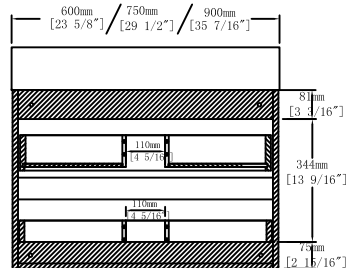
Dimensions



Top View



Front View



Back View

CARE CLEANING AND MAINTENANCE

1. Dust regularly with a soft , dry cloth.
2. Avoid the use of all chemicals household cleaners, abrasives, or cleaners that contain lemon, vinegar, or other acids that may damage the finish.
3. Excessive exposure to sunlight and extreme changes in temperature and moisture can damage wood furniture.
4. The sink top is resilient, but care needs to be taken to preserve its appearance.
5. Do not place hot appliances, such as curling irons and hot hair dryers directly on the countertop. Wipe spills immediately.

THANKS FOR WATCHING

Your feedback is invaluable to us and we would love to hear about your experience. Please take the time to leave us a review.