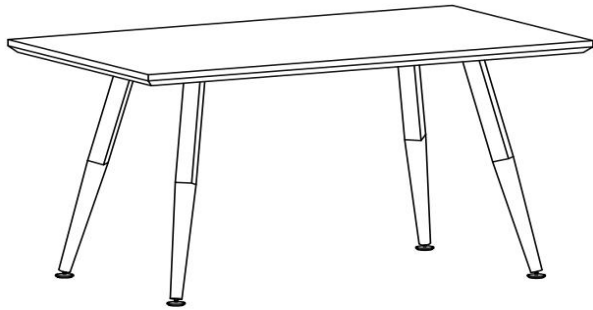


WARRANTY

We strive to offer high-quality products, and we also try our best to satisfy each and every customer that orders from us with product or service as needed. We provide 30 days warranty starting from the time you receive the item. Each customer must provide a record of their order such as the order number, or item receipt for any items that are out of the warranty period you may also still receive replacement parts by purchasing them with our company if they are available.



MAINTAINANCE AND WARNING

- Keep furniture away from heat.
- Do not clean furniture with harsh cleansers or polish. Do not use detergents, Solvents, abrasives, spray packs or leather cleaner. Use non-color mild soap with warm water clean spills(Mix 1:10 soap to water)
- Do not place furniture under direct sunlight, material will possibly fade over time.
- Do not use on site dry Cleaning machine.
- Children should not climb or jump on the furniture.
- Do not write on furniture without a padded barrier to protect the surface.
- Not for commercial use, For residential use only.

NOTE:

This brochure contains IMPORTANT safety info. Please read and keep for future reference.

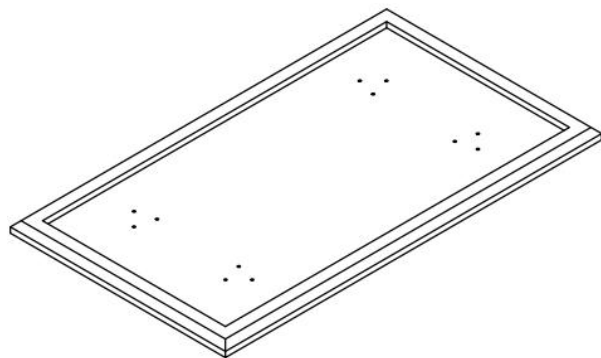


Weight Limitation

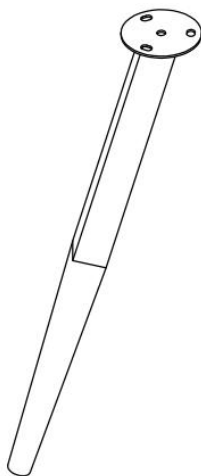
220LBS

PARTS LIST

A*1 top



B*4 legs



HARDWARE LIST

①*12

M8*20mm



②*12

Ø8*Ø18mm



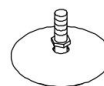
③*12

Ø8mm



④*4

M8*40mm



⑤*1

M5



SPARE

①*1

M8*20mm



②*1

Ø8*Ø18mm



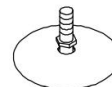
③*1

Ø8mm



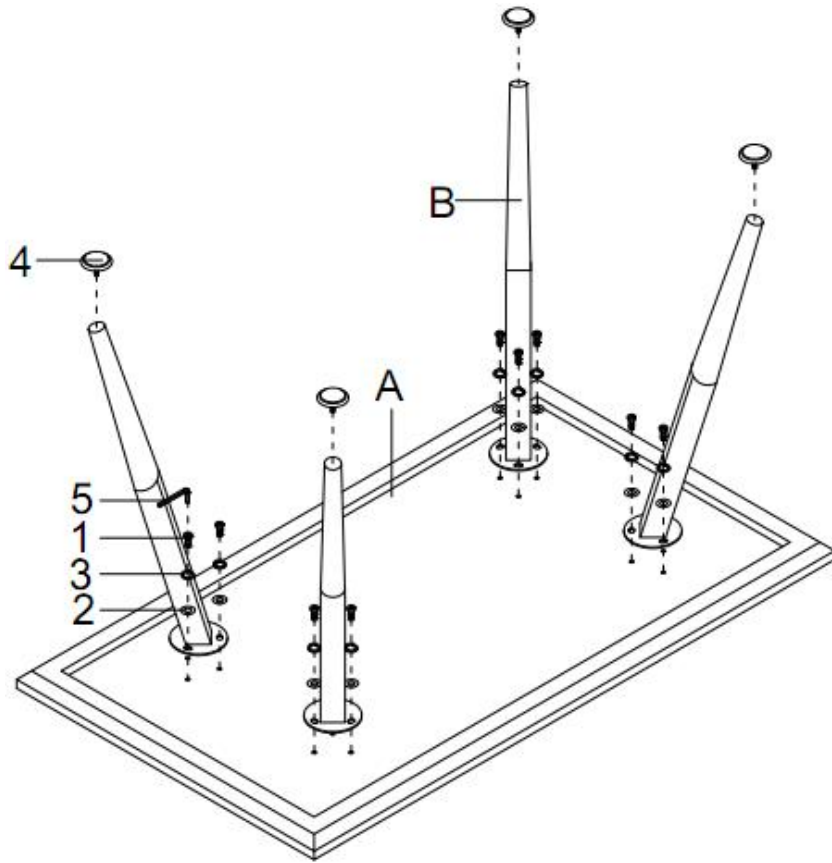
④*1

M8*40mm

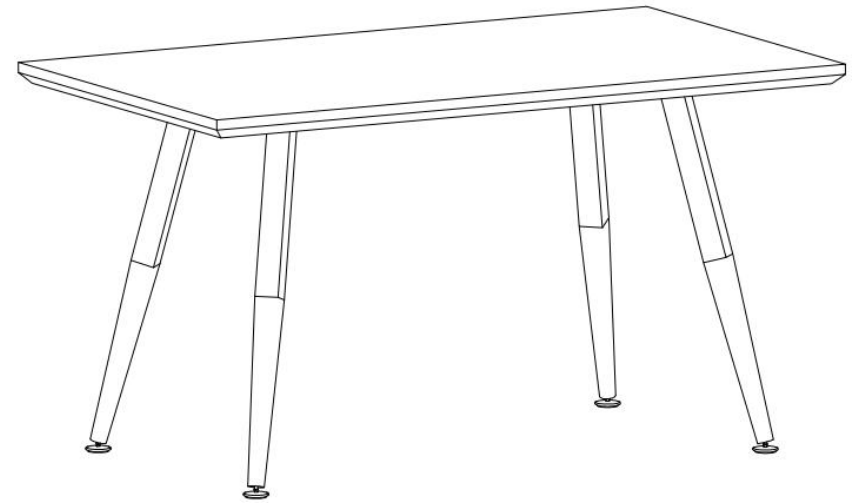


Be sure to check all packing material carefully for small parts, which may have come loose inside the carton during shipment.

ASSEMBLY INSTRUCTIONS



STEP 1:Place the top A upside down on clean padded surface. turn all the legs B outward,use bolt 1,flat washer 2 and spring washer 3,allen key 5 to connect the legs B with top A,place foot 4 on bottom of the legs B, make sure all holes aligned and fasten all bolts to secure.



STEP 2:Assembly completed