

# 16" Stand Fan

## Instruction Manual



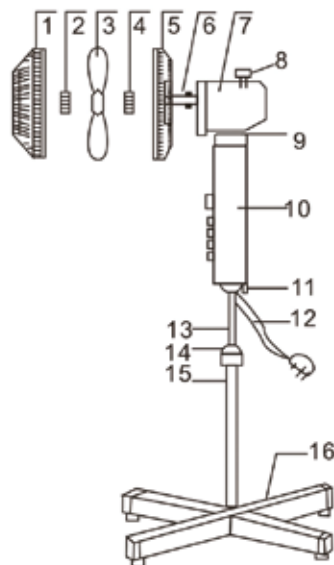
Item No. 915336  
920026

# USER MANUAL

## ● Components:

1. Front guard
2. Blade nut
3. Blade
4. Guard nut
5. Rear guard
6. Crankshaft
7. Motor
8. Oscillation knob
9. Pitching knob
10. Fan Body
11. Screw fixer for fan body
12. Power line
13. Adjustable pole
14. Cover for Adjustable pole
15. Master tube
16. Base

## 16" Stand Fan



## ● Technical Specification:

Rating voltage: 220/240V

Rating frequency: 50 Hz

## ● Attention:

1. Fan must be operated at rating voltage.
2. Only after assembling, can the fan be plugged in.
3. Nothing can be inserted into the fan that is working.
4. Unplug the fan before disassembling or cleaning.

## ● Installation:(refer to Iconography)

1. Installation of the master tube and the base:insert the tube into the hole on the base,and then fasten the screw on the base.
2. Installation of the fan: set the fan in the adjustable pole, and fasten the fan.
3. Installation of the rear guard: unscrew the blade nut and the guard nut, and fix the rear guard. After that, put back the rear guard, and fasten the guard nut.
4. Installation of the blade: to set the blade into the crankshaft, insert the blade from its back notch into the spacer pin of the motor, then fasten the blade nut anticlockwise.
5. Installation of the front guard: pinch the clip of the rear guard, and attach the front guard to the rear guard,then release the clip.

## ● Operation:

1. Press the buttons below to turn on or off the fan and to switch the fanning speed:0-stop,1-low speed,2-medium speed,3-high speed.
2. Oscination: To control the Oscination, press or lift the Oscination knob.
3. Pitching: To control the pitching, first unscrew the pitching knob, and adjust the fan to the desired angle,then screw the knob.

## ● Maintenance:

1. Unplug the fan before cleaning and use soft cloth with cleanser; do not use the cleanser harmful to the surface of the fan.
2. Clean the fan thoroughly after a long period of use; Drip some lubricant onto the joints of the fans, then keep it covered in the dry place.

## ● Warning:

1. If the supply cord is damaged, it must be replaced by the manufacturer, its service agent or similarly qualified persons in order to avoid a hazard.
2. This appliance does not prepare for the physical ability frailty, slow reaction or the barrier person (including child) uses, only if in has the safety resp on sibility to it under pers-onne`s instruction or help safety handling The child should supervise, guaranteed they do not play the appliance.

## ● IMPORTANT NOTE:

In use process, if the discovery power line damage, does not allow to repair voluntarily, in order to avoid has the accident, but must carries on the service or the replacement by the manufacturer either its agent`s specialists.

If this product does not reach you in an acceptable condition please contact our Customer Services Department.

Please have your delivery note to hand as details from it will be required.

If you wish to return this product please return it to the retailer from where it was purchased with your receipt (subject to their terms and conditions).

### **Guarantee**

This product is guaranteed for a period of 1 year from the date of purchase against mechanical and electrical defects.

This guarantee is only valid if the appliance is used solely for domestic purposes in accordance with the instructions and provided that it is not connected to an unsuitable electricity supply or dismantled or interfered with in any way or damaged through misuse. Under this guarantee we undertake to repair or replace free of charge any parts found to be defective. Reasonable proof of purchase must be provided.

Nothing in this guarantee or in the instructions relating to this product excludes, restricts or otherwise affects your statutory rights.

In line with our policy of continuous development we reserve the right to change this product, packaging and documentation specification without notice.

Consumables are not guaranteed i.e. plug and fuse.



## **Fancy-it Agencies Ltd**

**Importing Ideas | Distributing Assurance**

Tel. 02088399350 E-mail. [info@fancy-it.co.uk](mailto:info@fancy-it.co.uk) [www.fancy-it.co.uk](http://www.fancy-it.co.uk)

HA2 OGP

Please retain all instructions for future reference.