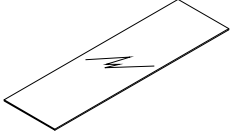
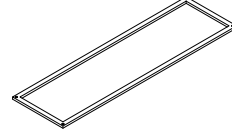
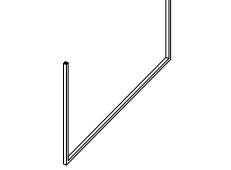
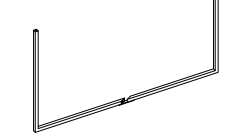



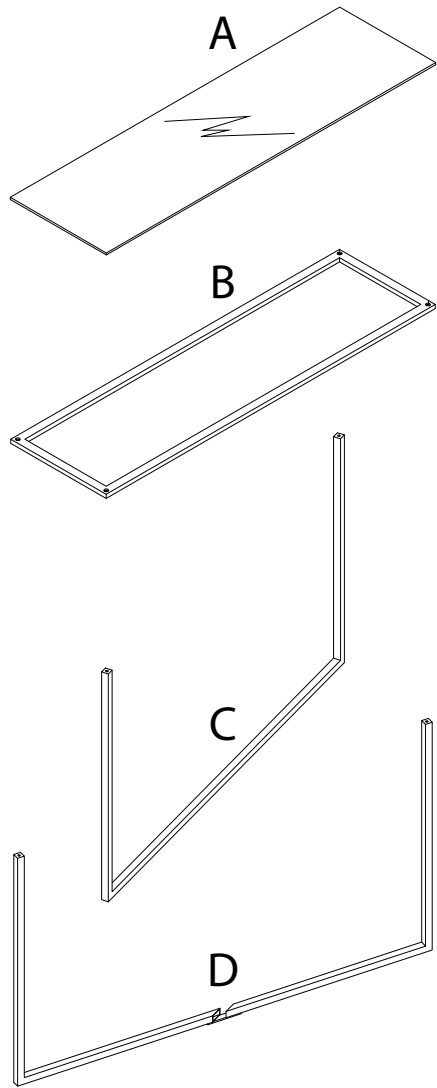
Diagram illustrating assembly steps and safety warnings:

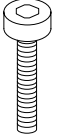

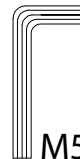
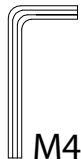
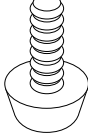
- Step 1:** Shows an L-shaped corner bracket being attached to the table frame. A power drill is shown with a diagonal line through it, indicating that a power drill should not be used for this step. A warning triangle with an exclamation mark is positioned to the right.
- Step 2:** Shows a rectangular panel being attached to the table. A power drill is shown with a diagonal line through it, indicating that a power drill should not be used for this step. A warning triangle with an exclamation mark is positioned to the right.

Additional information:

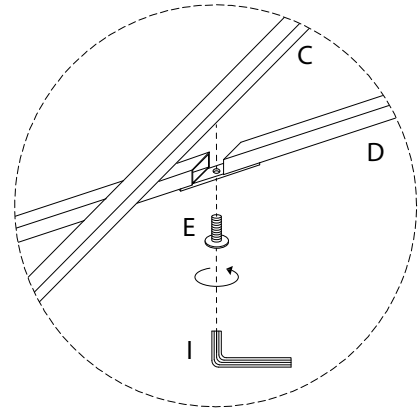
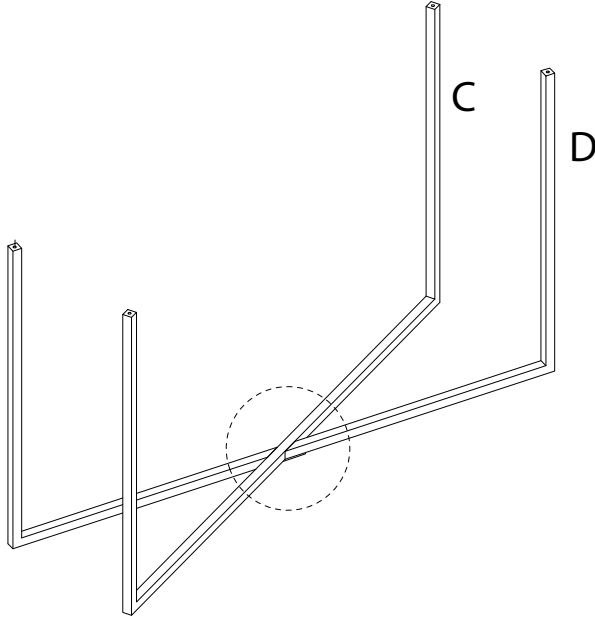
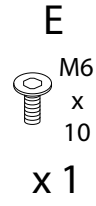
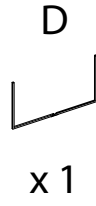
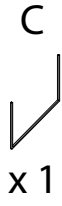
- A clock icon is shown next to the text **20'**, indicating a 20-minute assembly time.
- A person icon is shown next to the text **2**, indicating that 2 people are required for assembly.

<p>A</p>  <p>x 1</p>	<p>B</p>  <p>x 1</p>	<p>C</p>  <p>x 1</p>	<p>D</p>  <p>x 1</p>	<p>E</p>  <p>M6 x 10</p> <p>x 1</p>
---	---	---	--	--

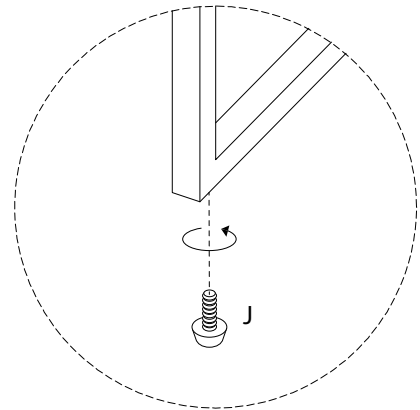
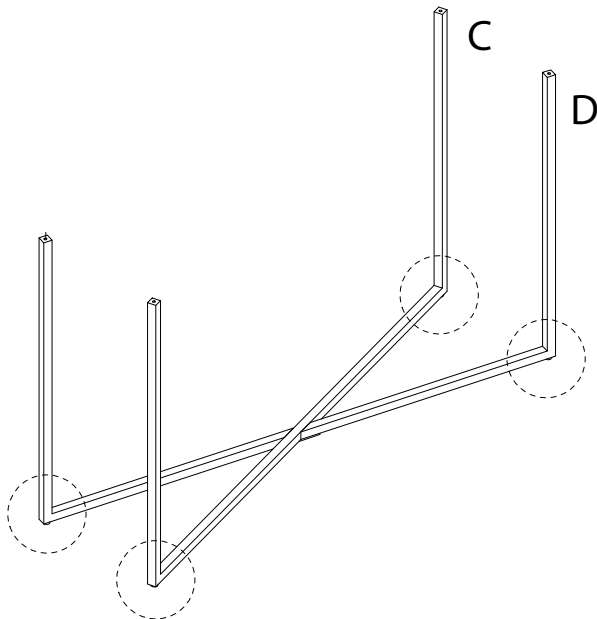
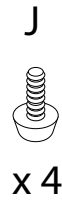


<p>F</p>  <p>M6 x 30</p> <p>x 4</p>	<p>G</p>  <p>x 6</p>	<p>H</p>  <p>M5</p> <p>x 1</p>	<p>I</p>  <p>M4</p> <p>x 1</p>	<p>J</p>  <p>x 4</p>
--	---	---	---	---

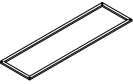
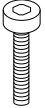
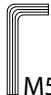
1

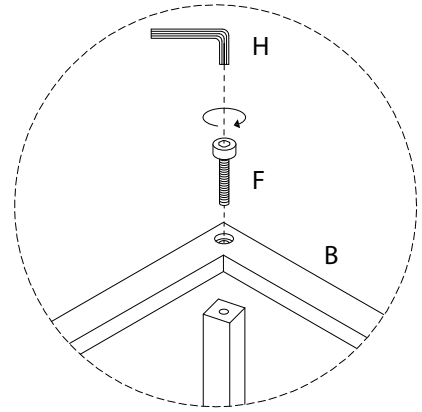
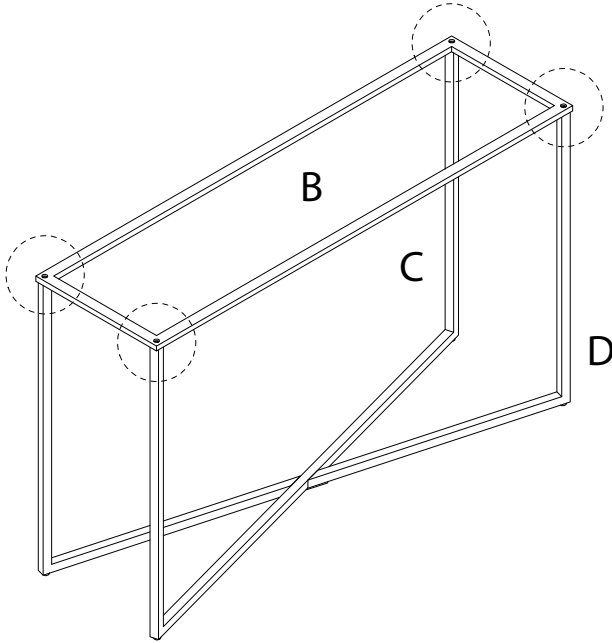


2




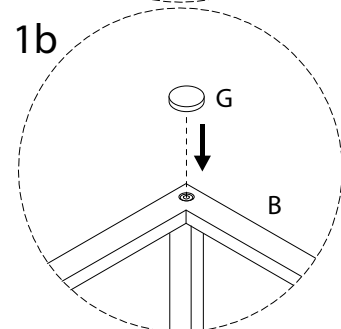
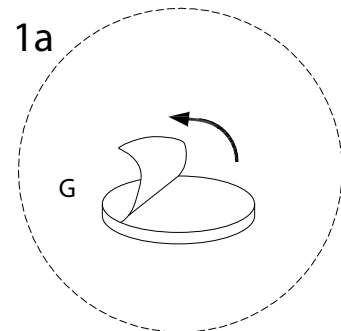
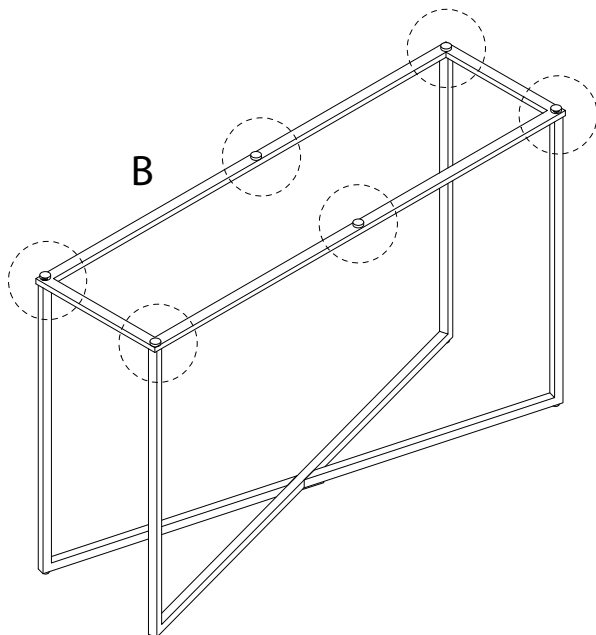
3

B  x 1	F  M6 x 30 x 4	H  M5 x 1
--	--	--



4

G  x 6
--



5

