



OUTPLAY THE ORDINARY

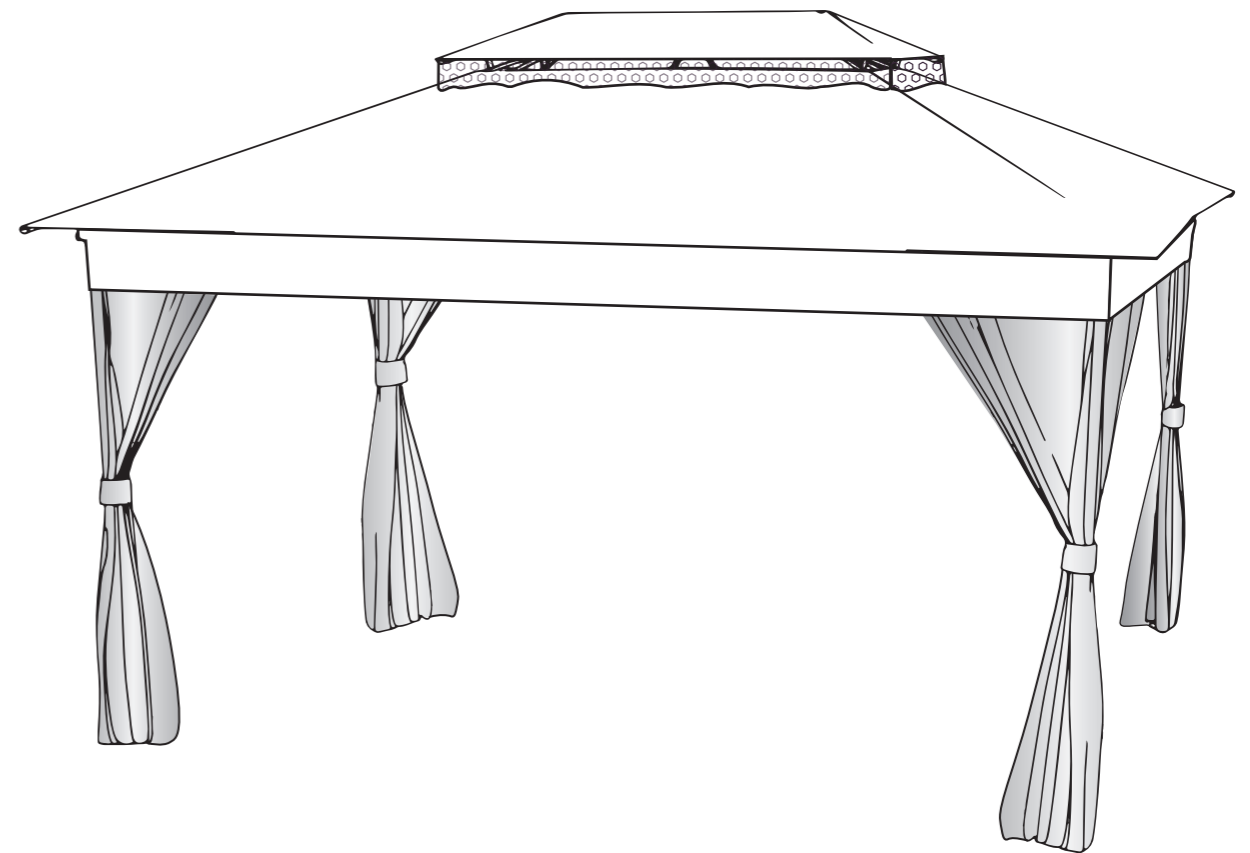
by Lausaint Home

V1.0



PERMANENT PATIO GAZEBO 10*13FT

OUTPLAY THE ORDINARY



customerservice@lausaint.com

INSTRUCTION BOOK



ATTENTION 02

COMPONENT LIST 04-06

BASE FRAME ASSEMBLY 08-15

TOP FRAME ASSEMBLY 16-23

CURTAINS ASSEMBLY 24-26

STRENGTHEN FRAME STABILITY 27-29

ATTENTION!

Thank you for choosing our product. We have meticulously crafted these user-friendly instructions to streamline your product setup process. For further assistance, please visit the "Contact Us" section on our official website at lausaint.com. You are also welcome to reach out to our dedicated customer service team via email at customerservice@lausaint.com. Your satisfaction is our priority.

PREPARATION

Please read and understand this entire manual before attempting to assemble, operate or install the product.

PREPARATION

The product is packed in one box to ship.

Before assembly, make sure all parts are present. Compare parts with package contents list and hardware contents list.

If any part is missing or damaged, do not attempt to assemble the product.

Estimated Assembly Time: 1 hour

WARNING!

- Tighten each bolt firmly and properly. Do not completely tighten the screws until all screws are started.
- Some parts may contain sharp edges. Wear protective gloves as necessary.
- Children under the age of 16 should not be engaged in the assembly, removal or disassembly of the product.
- Children under the age of 10 should be supervised by a competent adult while using this furniture.
- Please keep children out of the assembly area during assembly.
- This set is heavy, and may require two adults for safe assembly.
- Never use this product as support. Do not shake, lean, or climb on the product at any time.

CARE AND MAINTENANCE

- Before using, clean the product completely with a soft, dry towel.
- When not in use, wipe away dirt or loose objects, wash with a mild solution of soap and water, rinse and dry completely.
- Do not use strong detergents or abrasive cleaners.
- Store the product in a cool, dry location away from sunlight.

CAUTION














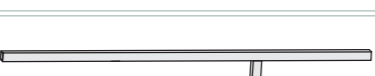
- Retain these instructions for future reference.
- Paint on this product might peel off if it is hit or used improperly.
- Use and carry this item with care and apply touch-up paint (not included) when necessary.
- This outdoor furniture is designed and made for personal non-commercial use.
- This item should not be used as a toy or a tool.
- Do not locate the product near any heat source.


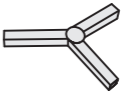
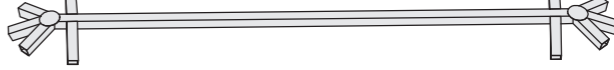
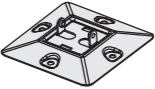
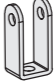

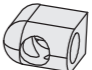
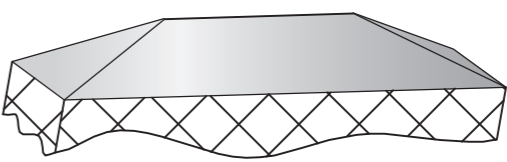
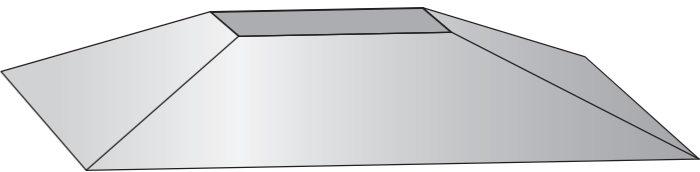
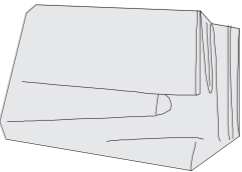
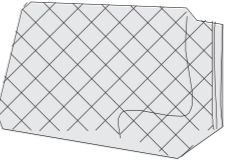
WARRANTY

This warranty is extended to the original purchaser and applies to defects in materials and workmanship of your patio furniture provided your furniture is maintained with care and used only for personal, residential purposes.

The frame is warranted to be free from defects in material or workmanship for one (1) year.




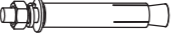
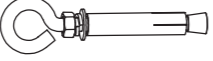





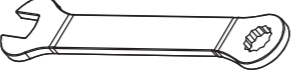
The fabric is insured for one (1) year against defects in material or workmanship.

PARTS #	QTY	DESCRIPTION
A	4	
B1	2	
B2	2	
B3	2	
B4	2	
C1	4	
C2	4	
D1	6	
D2	8	
E1	4	
E2	4	
E3	4	
E4	4	
F1	4	

PARTS #	QTY	DESCRIPTION
F2	1	
F3	2	
F4	1	
G	4	
H	10	
U	4	
J	32	
K	1	
L	1	
M	4	 Privacy Curtain
N	4	 Mosquito Mesh

WE HAVE PREPARED EXTRA SCREWS FOR YOU IN CASE OF LOSS OR DAMAGE.

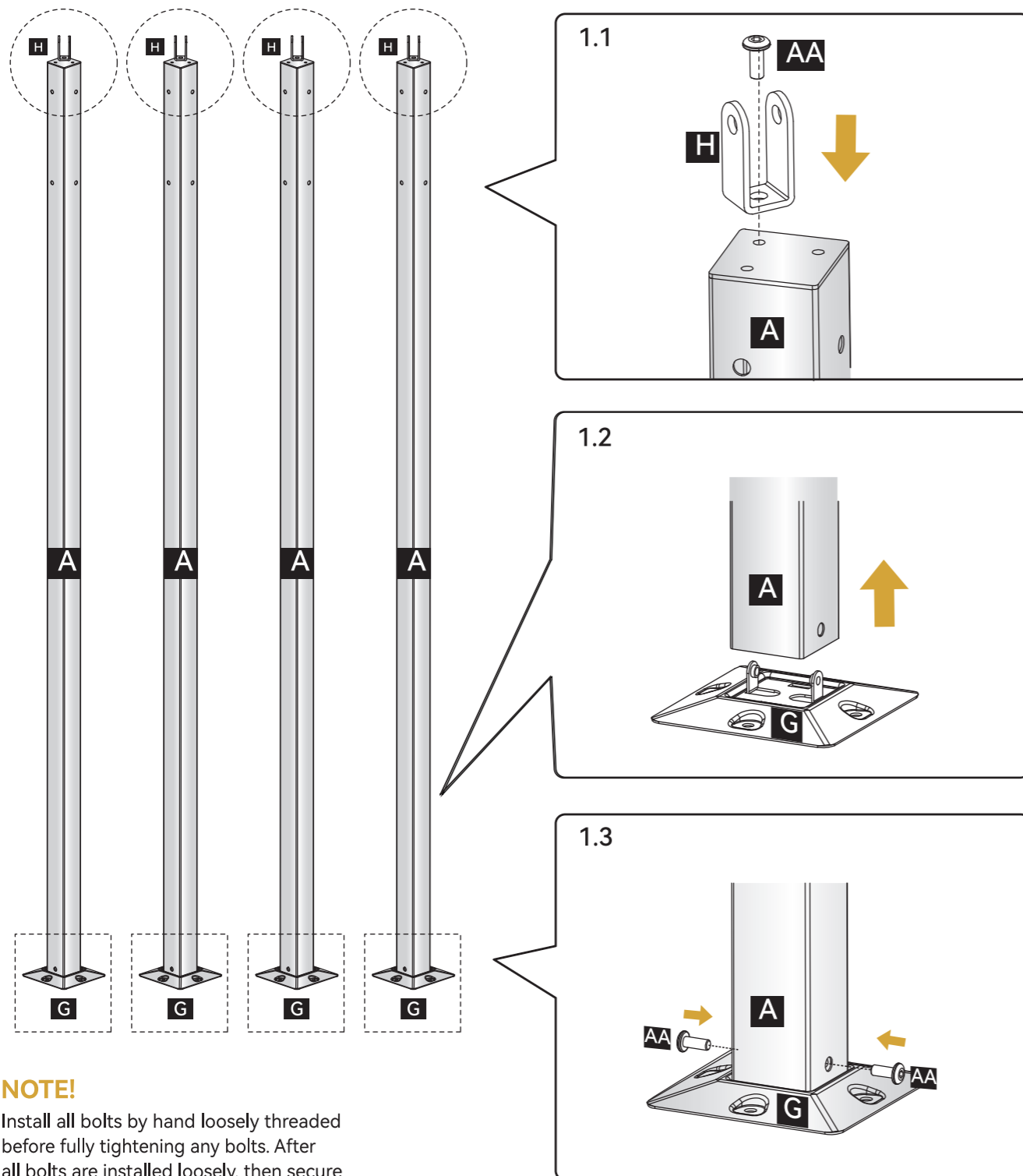
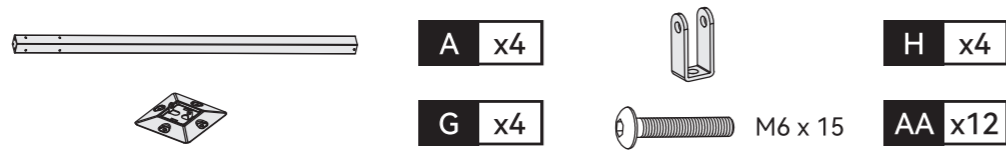
3

PARTS #	QTY	DESCRIPTION
P	4	
T	8	
V	2	
Q	8	
R	4	
S	4	
AA	58+1	 M6 x 15
BB	42+1	 M6 x 35
CC	10+1	 M6
DD	1	
EE	1	

STEP

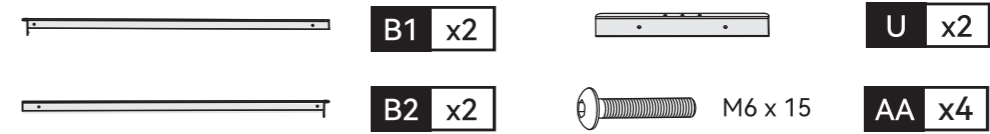
01

BASE FRAME INSTALLATION



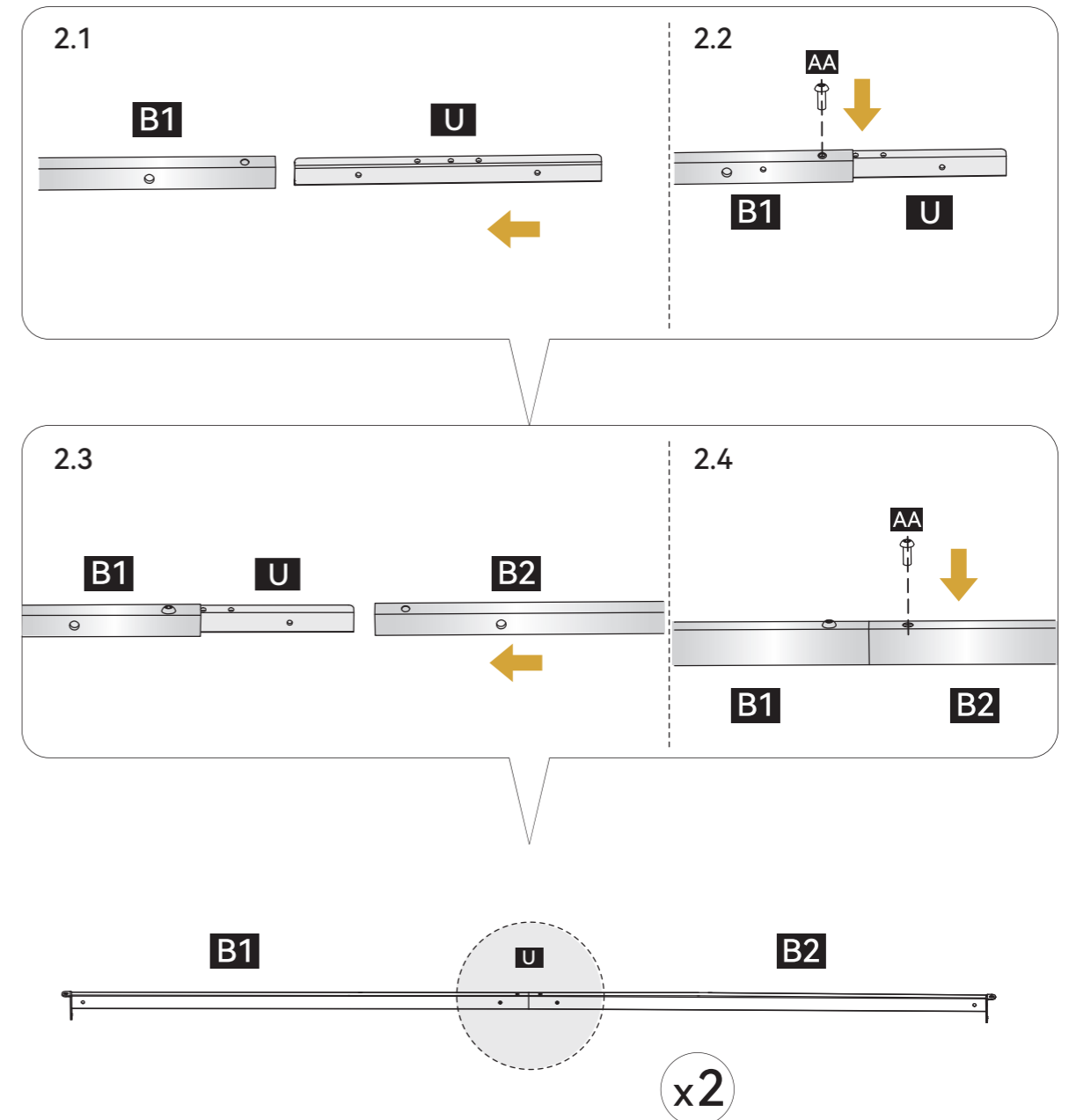
NOTE!
Install all bolts by hand loosely threaded before fully tightening any bolts. After all bolts are installed loosely, then secure the bolts before moving on to the next step.

BASE FRAME INSTALLATION



STEP

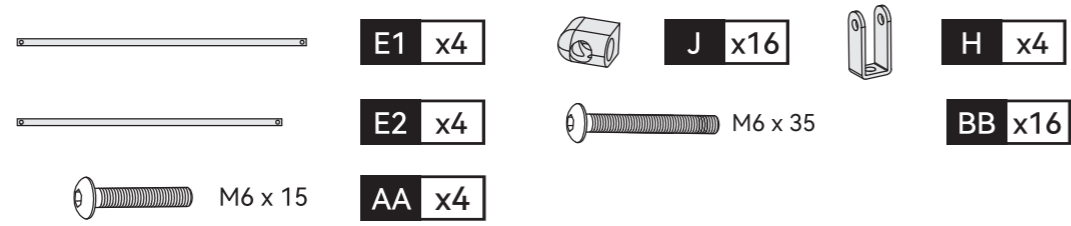
02



STEP

03

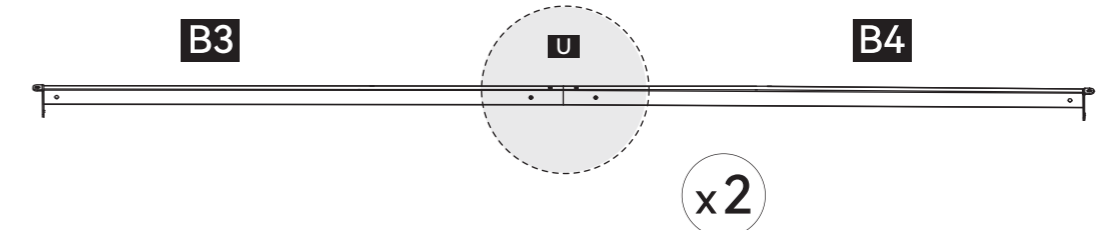
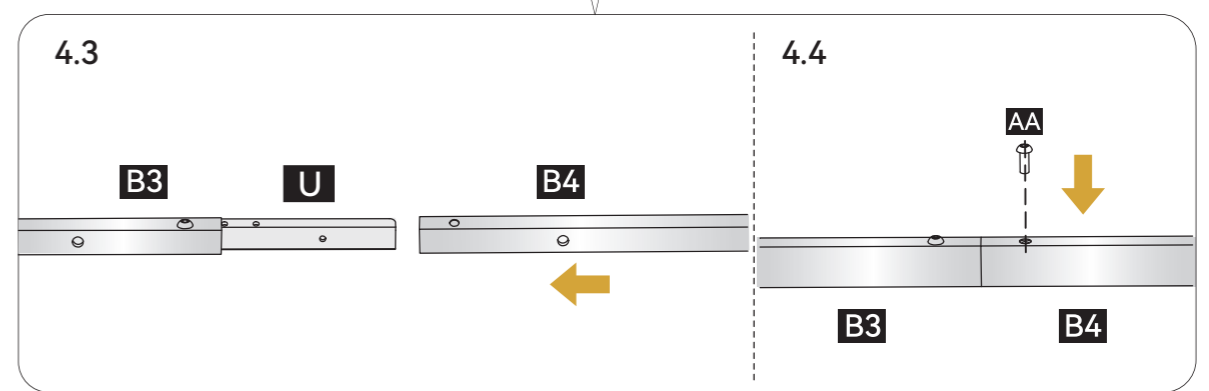
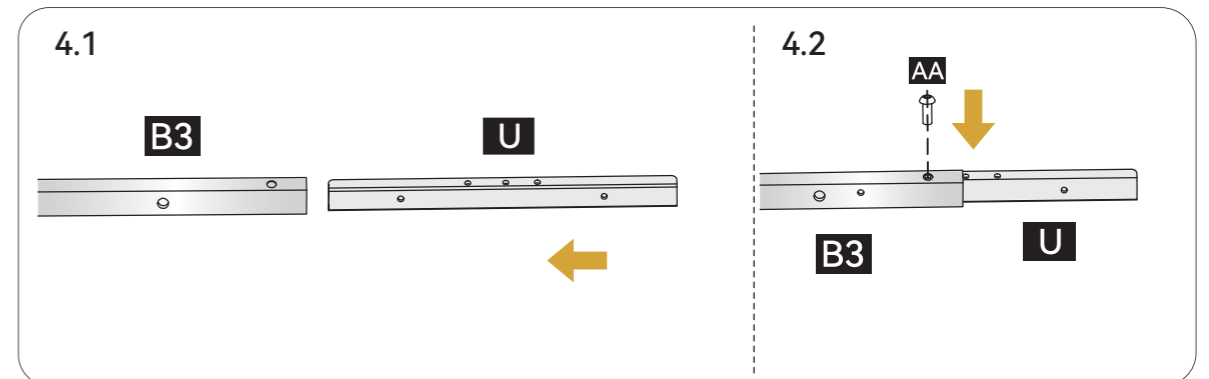
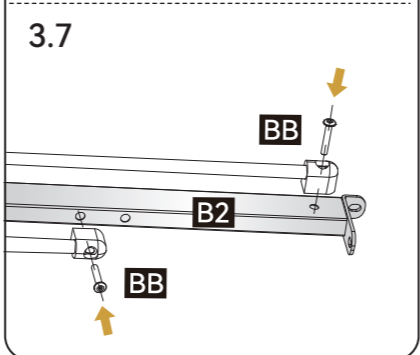
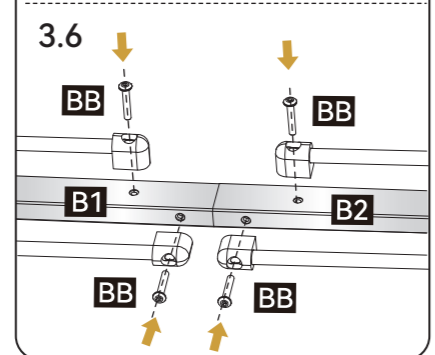
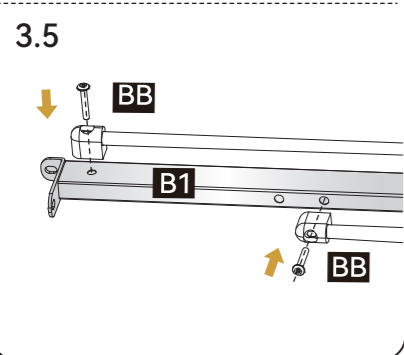
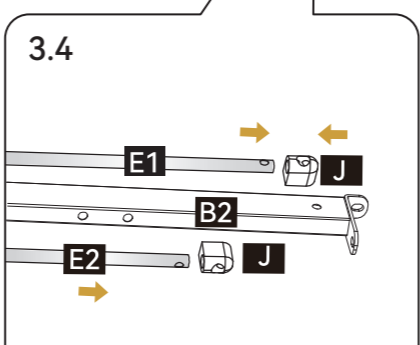
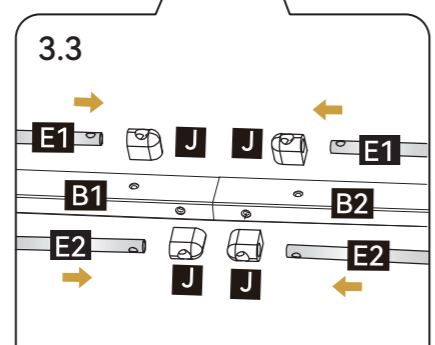
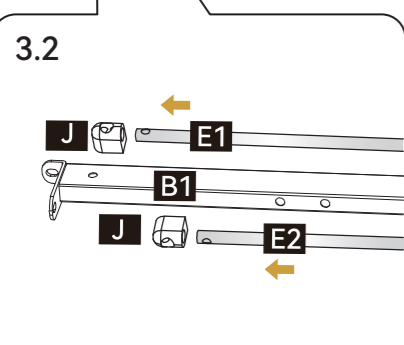
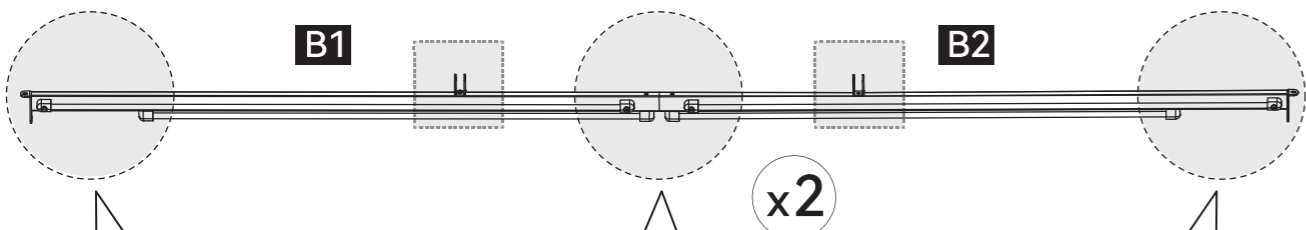
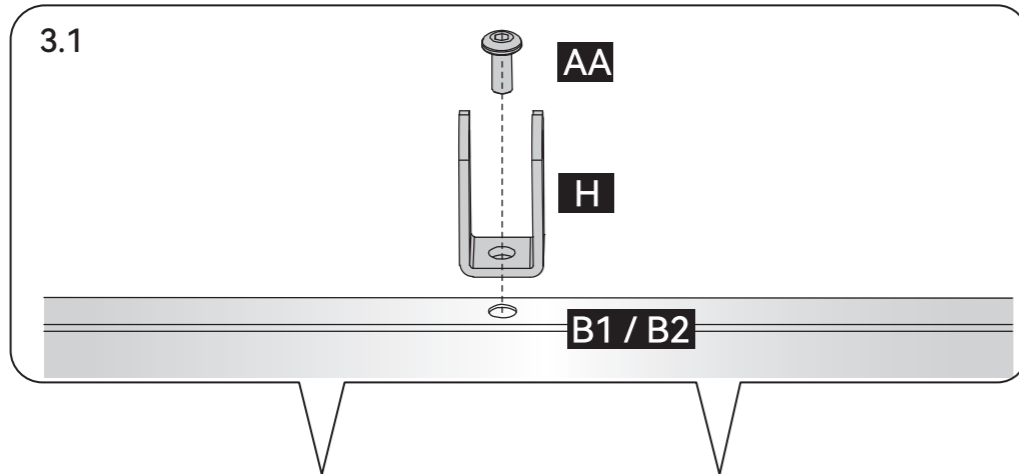
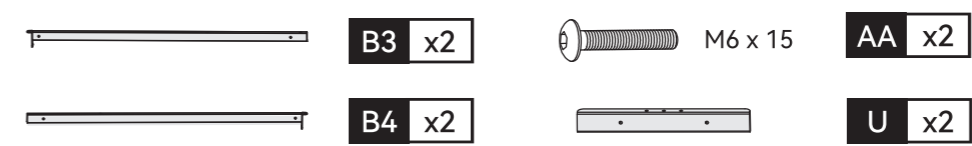
BASE FRAME INSTALLATION



STEP

04

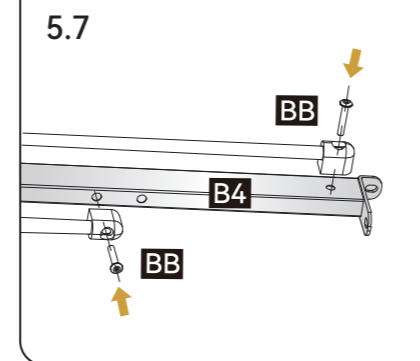
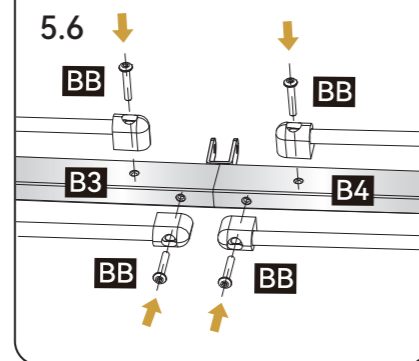
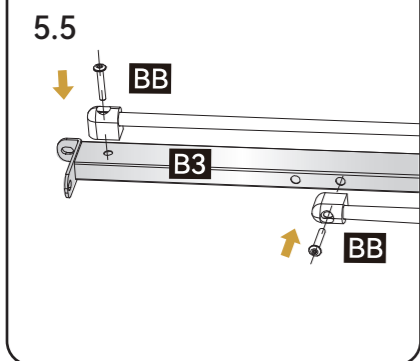
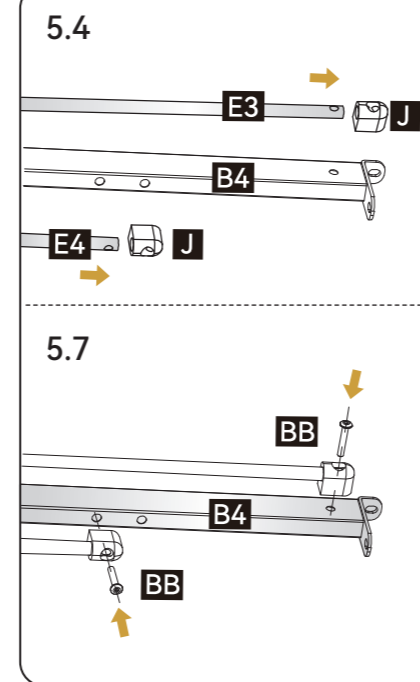
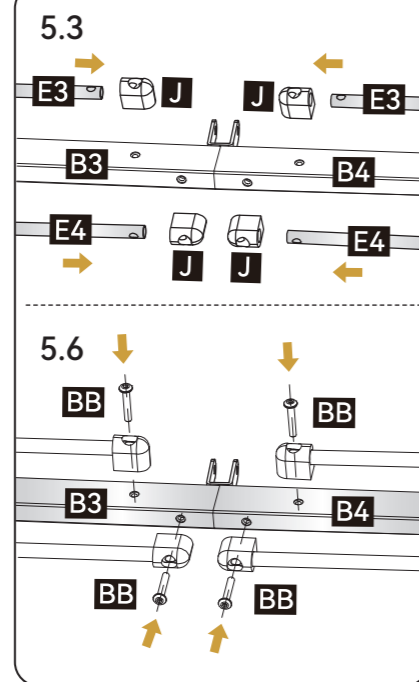
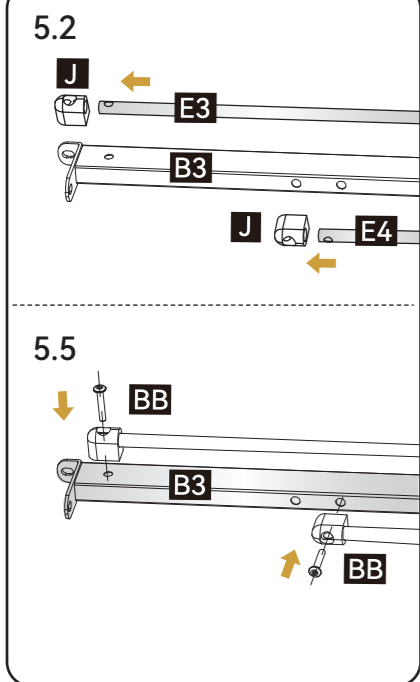
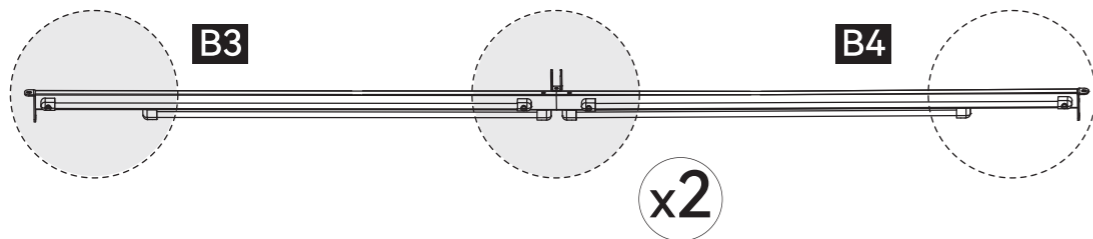
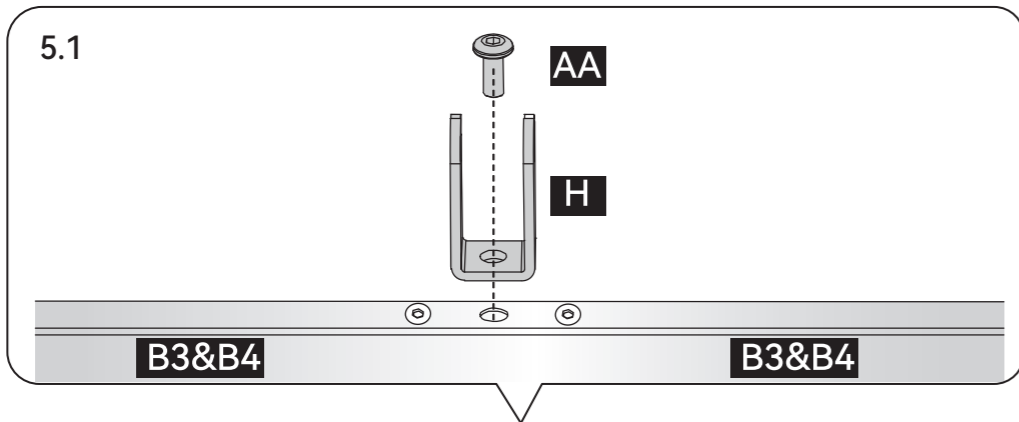
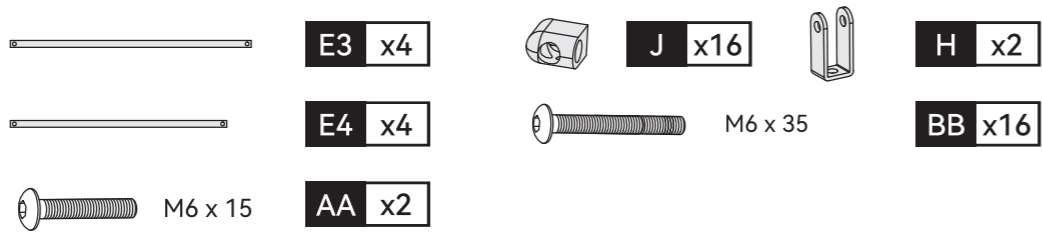
BASE FRAME INSTALLATION



STEP

05

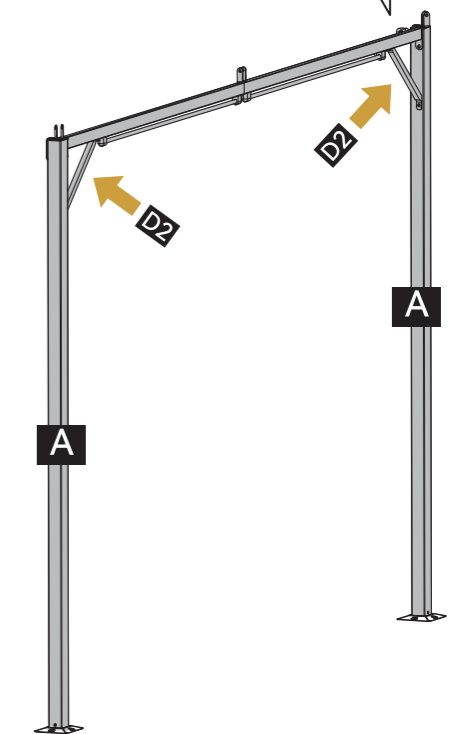
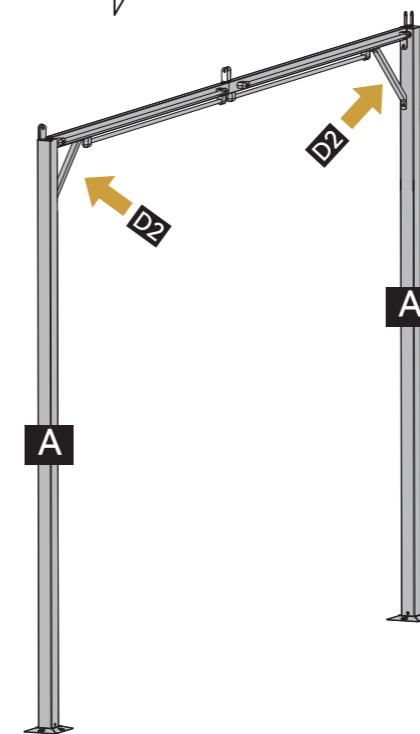
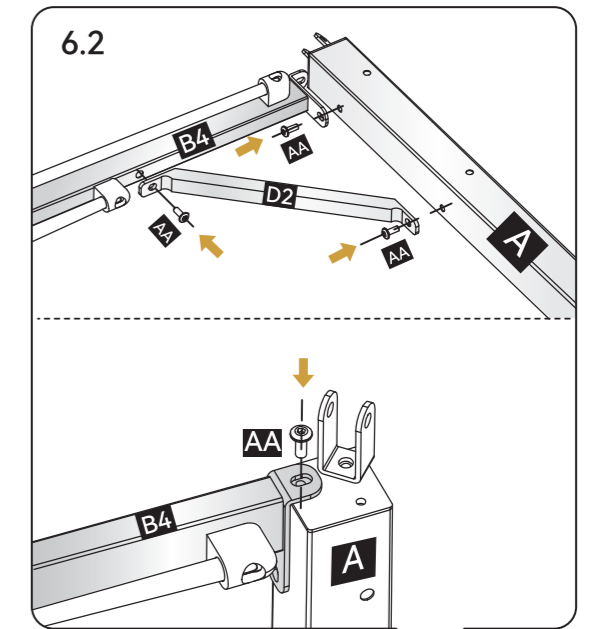
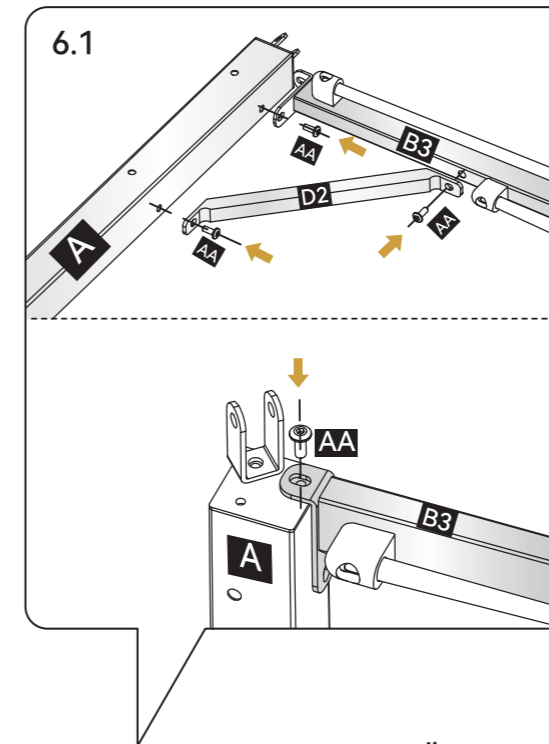
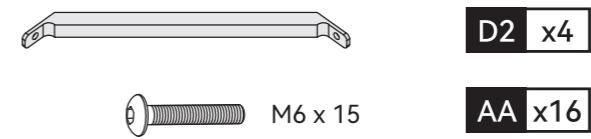
BASE FRAME INSTALLATION



BASE FRAME INSTALLATION

STEP

06



STEP

07

BASE FRAME INSTALLATION

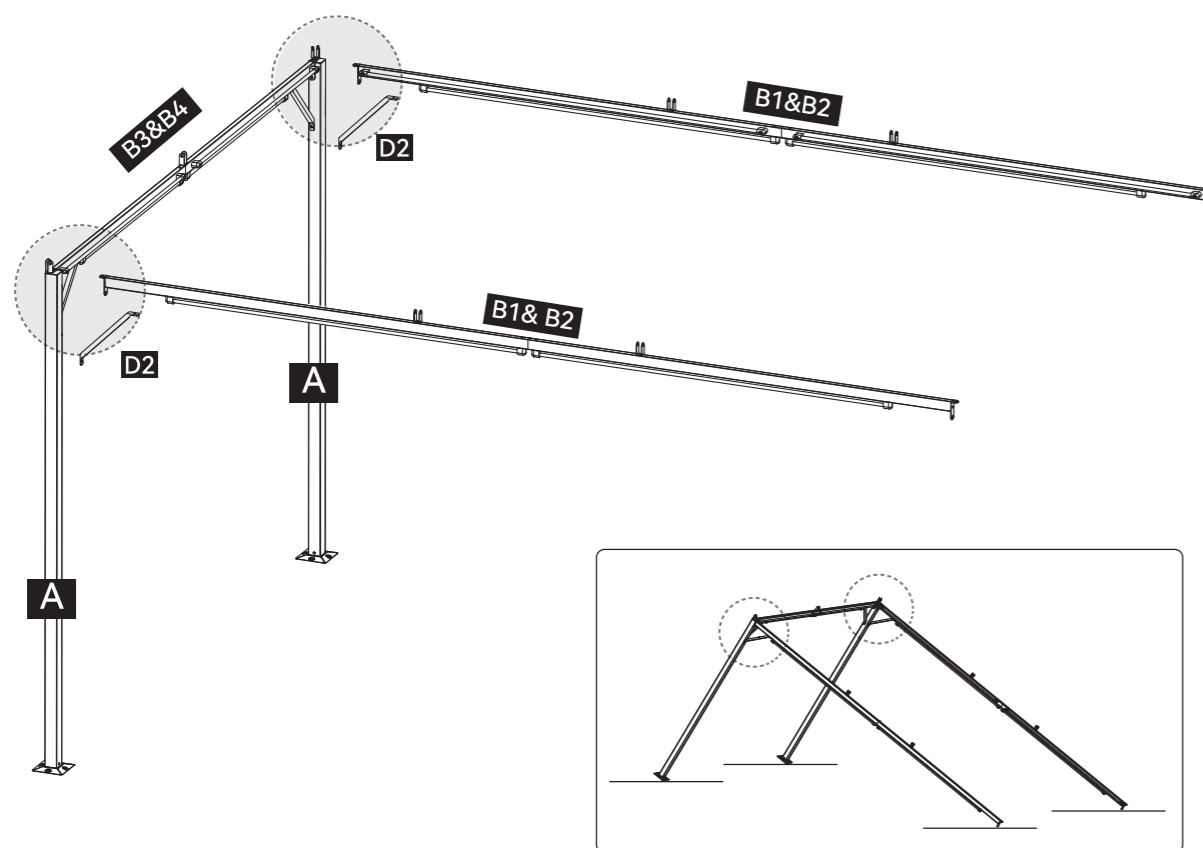
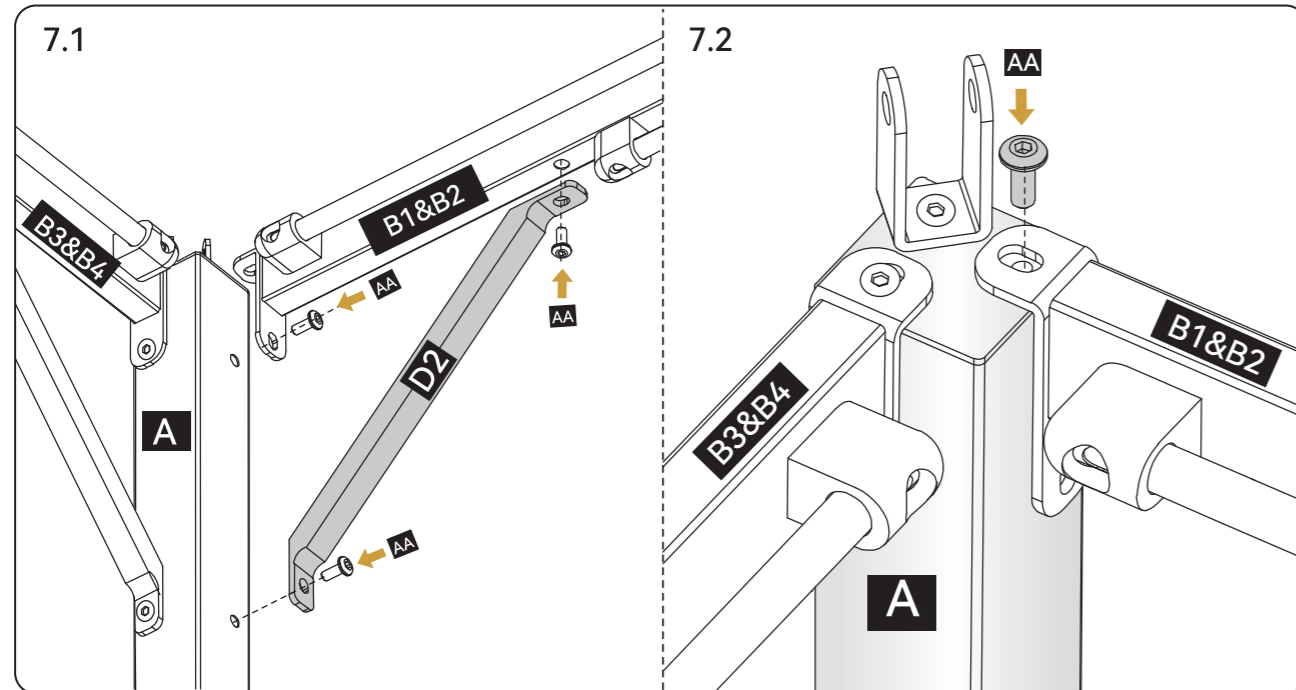


D2 x2



M6 x 15

AA x8



BASE FRAME INSTALLATION

STEP

08

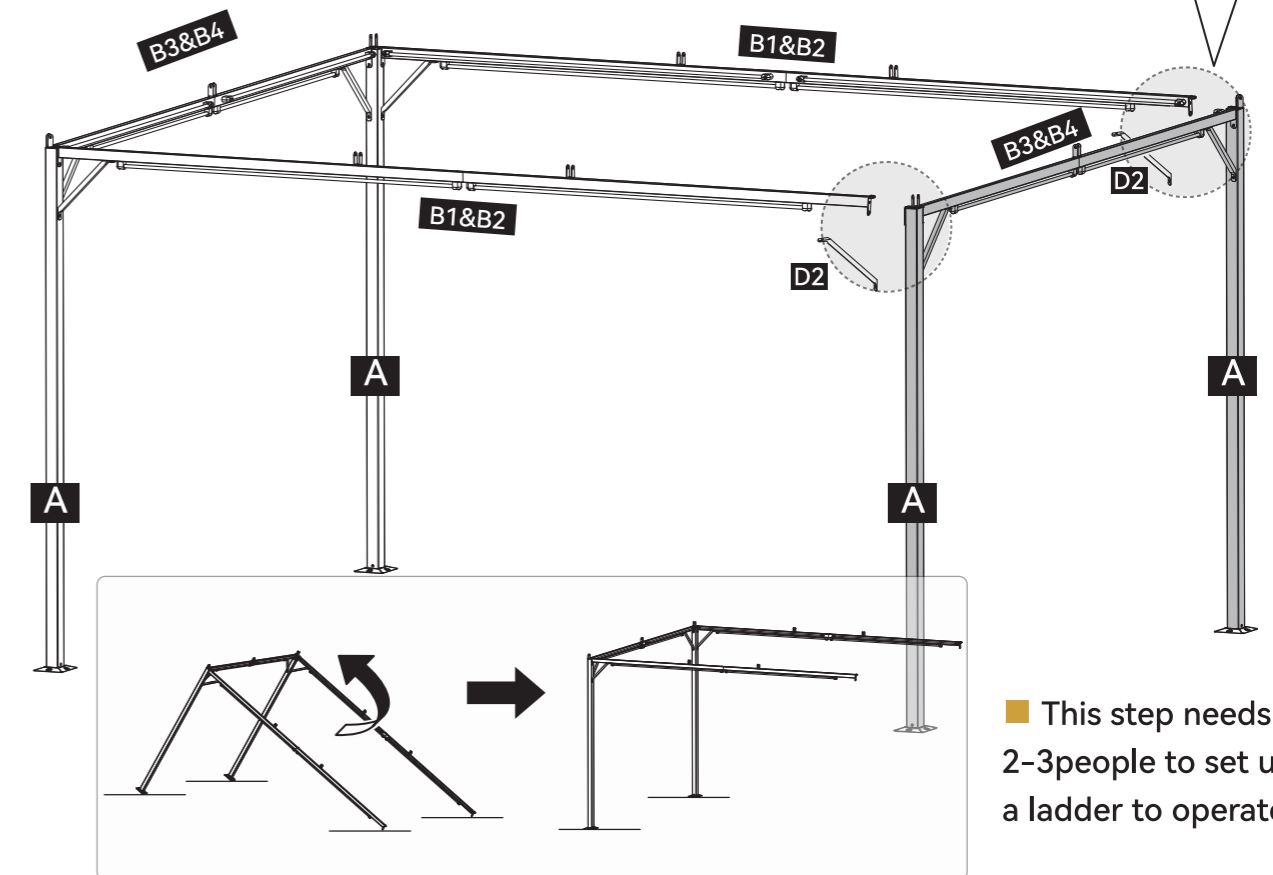
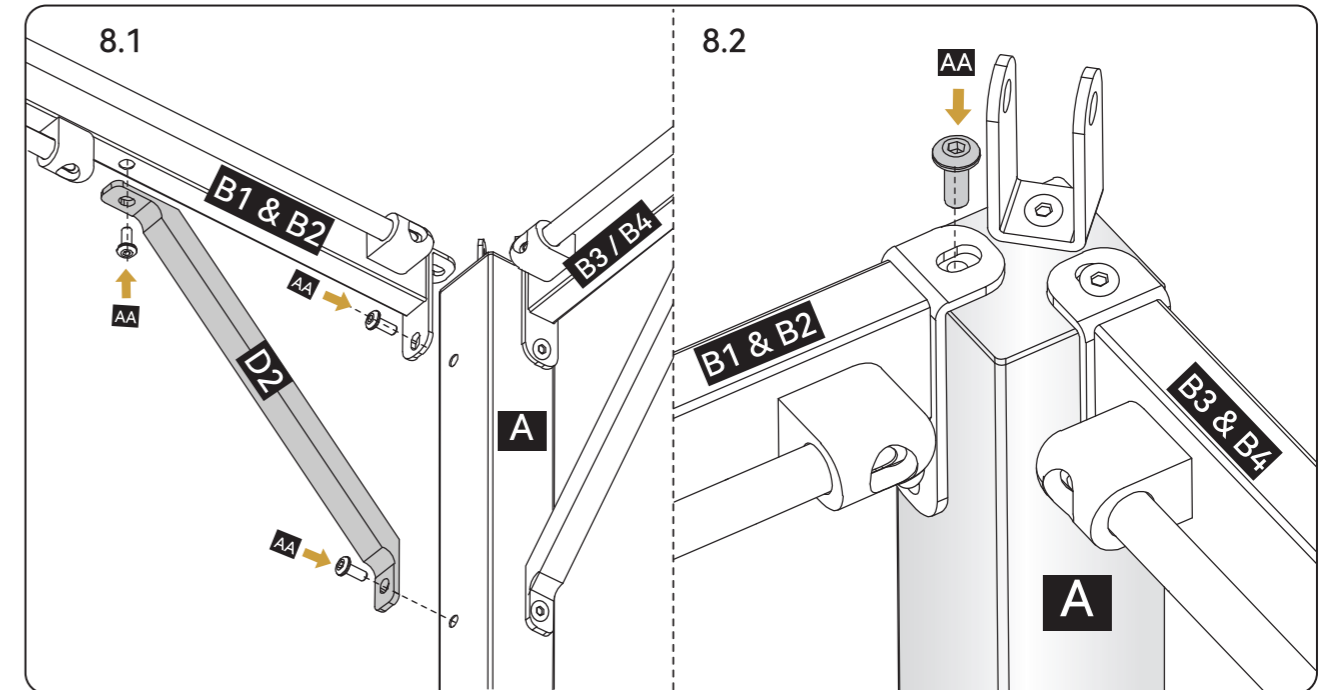


D2 x2



M6 x 15

AA x8

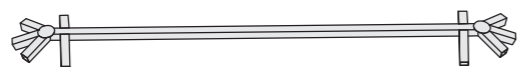


This step needs 2-3 people to set up a ladder to operate

STEP

09

TOP FRAME INSTALLATION



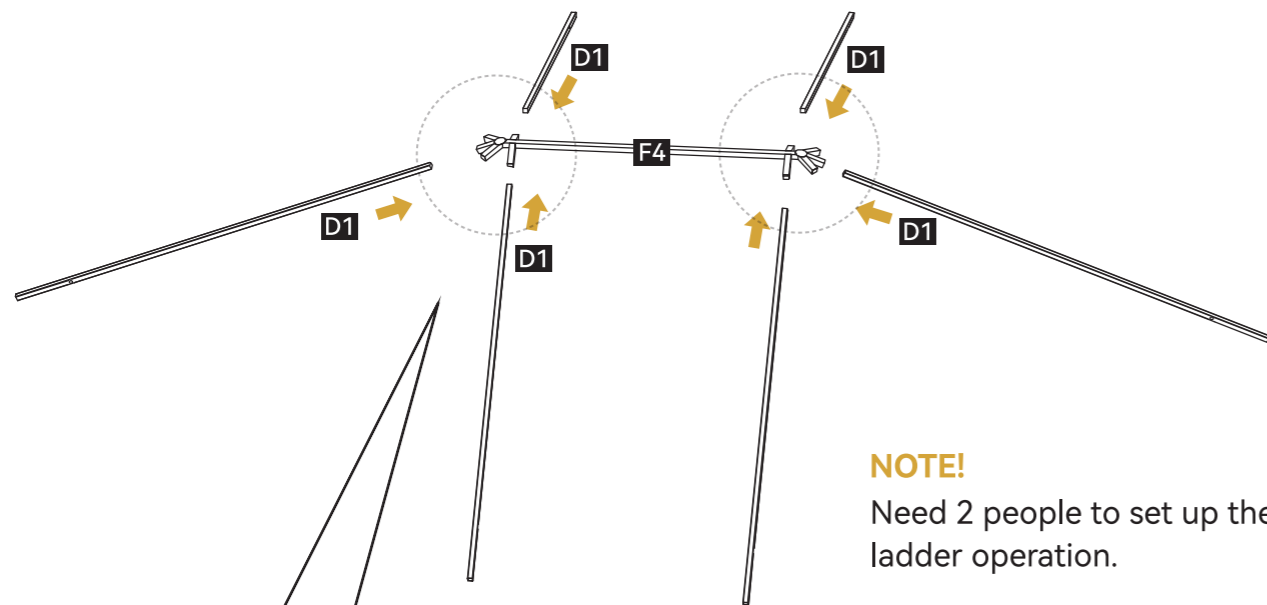
F4 x1



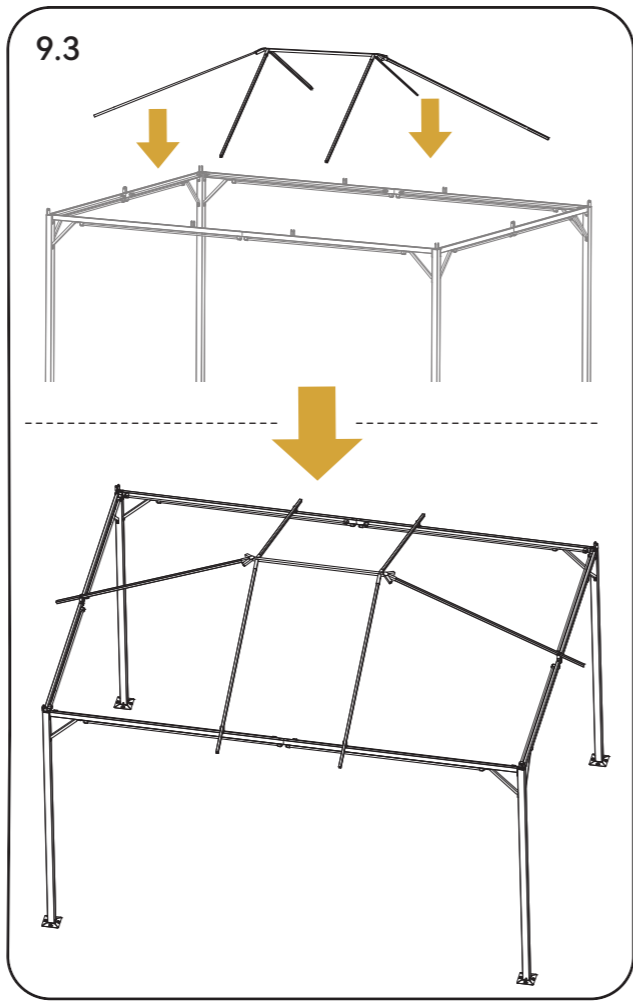
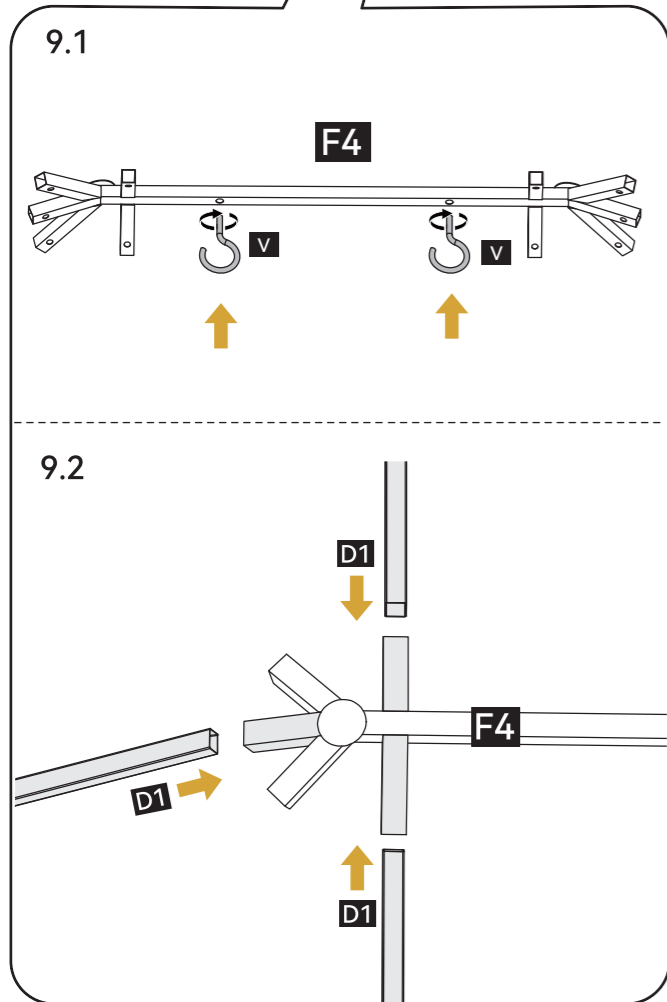
V x2



D1 x6



NOTE!
Need 2 people to set up the ladder operation.



TOP FRAME INSTALLATION

STEP

10

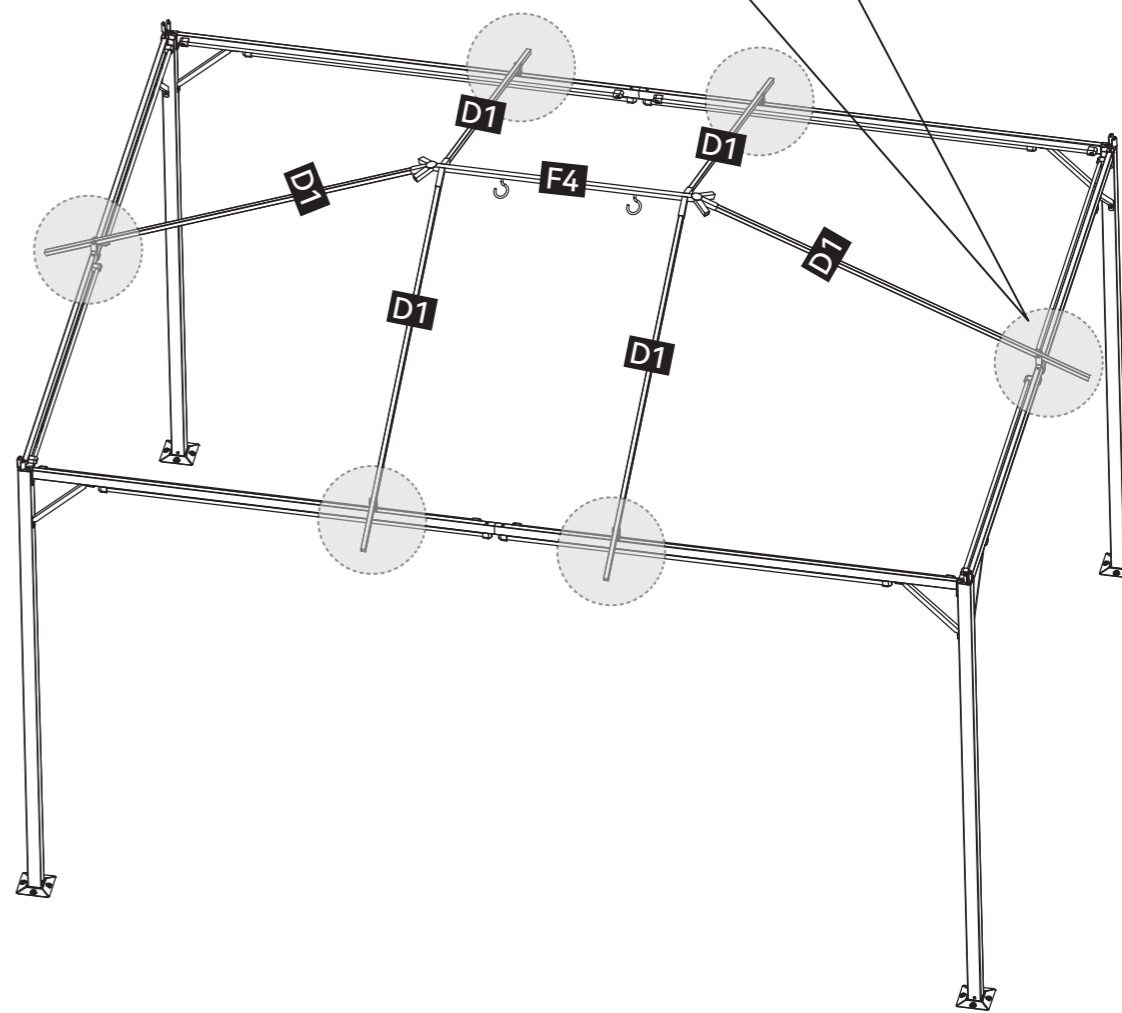
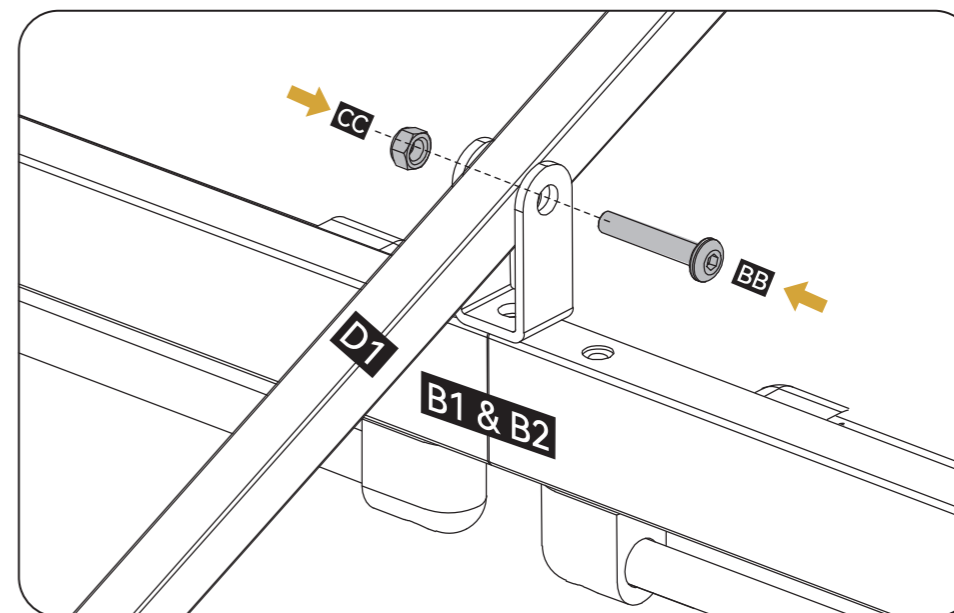


BB x6



M6

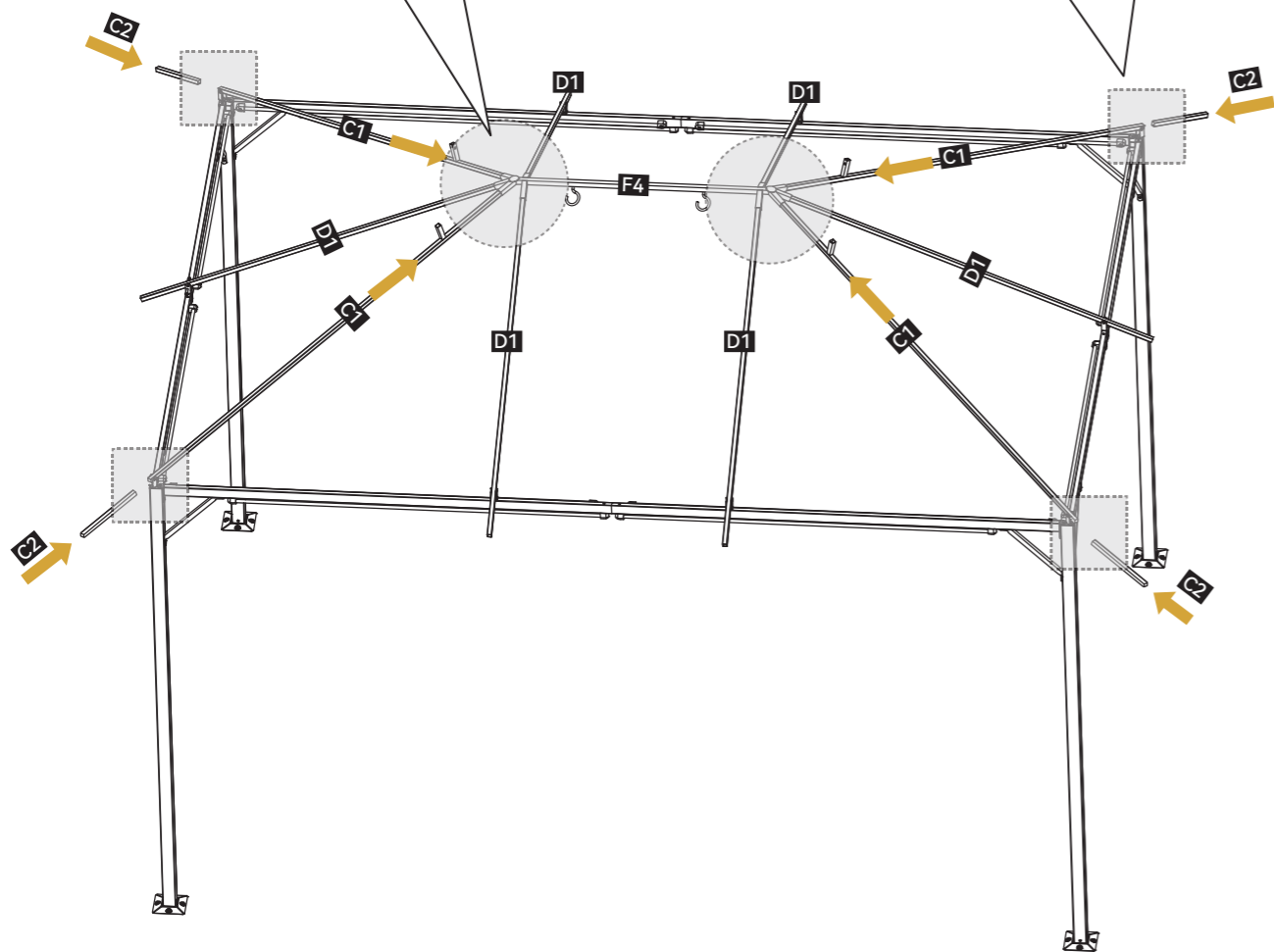
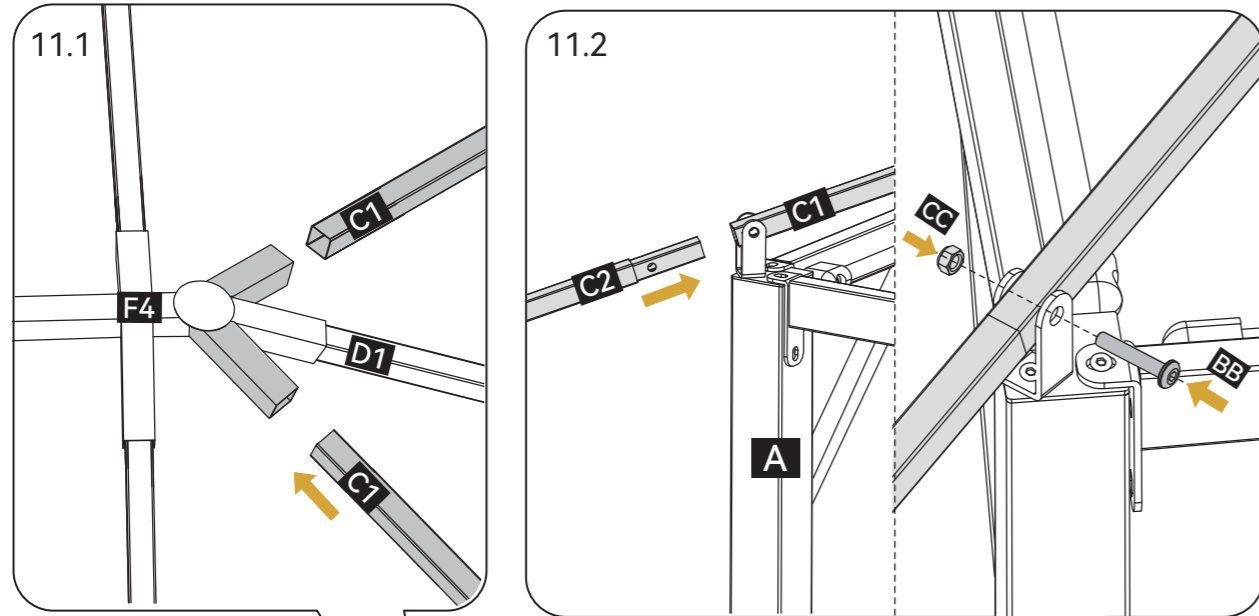
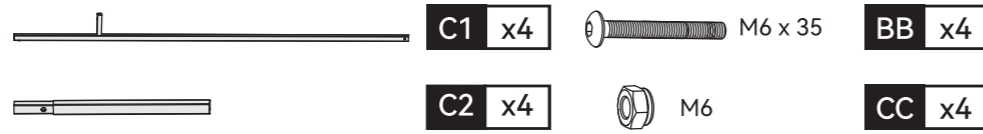
CC x6



STEP

11

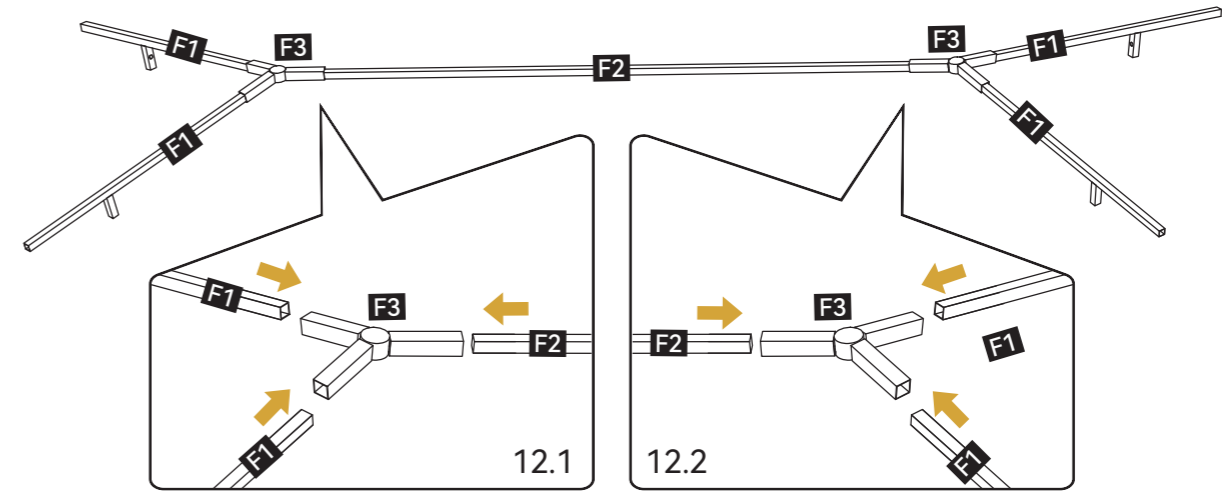
TOP FRAME INSTALLATION



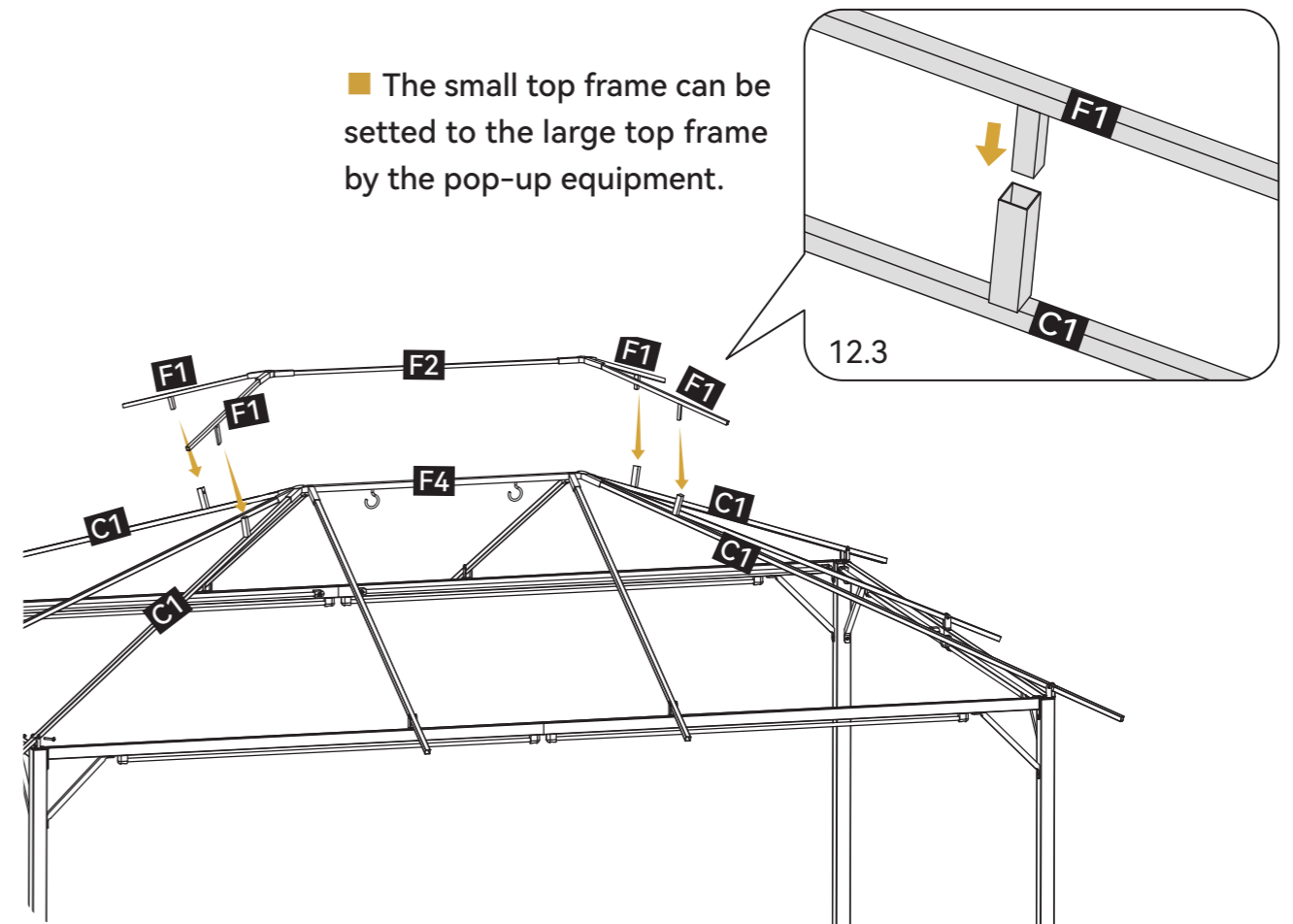
TOP FRAME INSTALLATION

STEP

12



■ The small top frame can be set to the large top frame by the pop-up equipment.



STEP

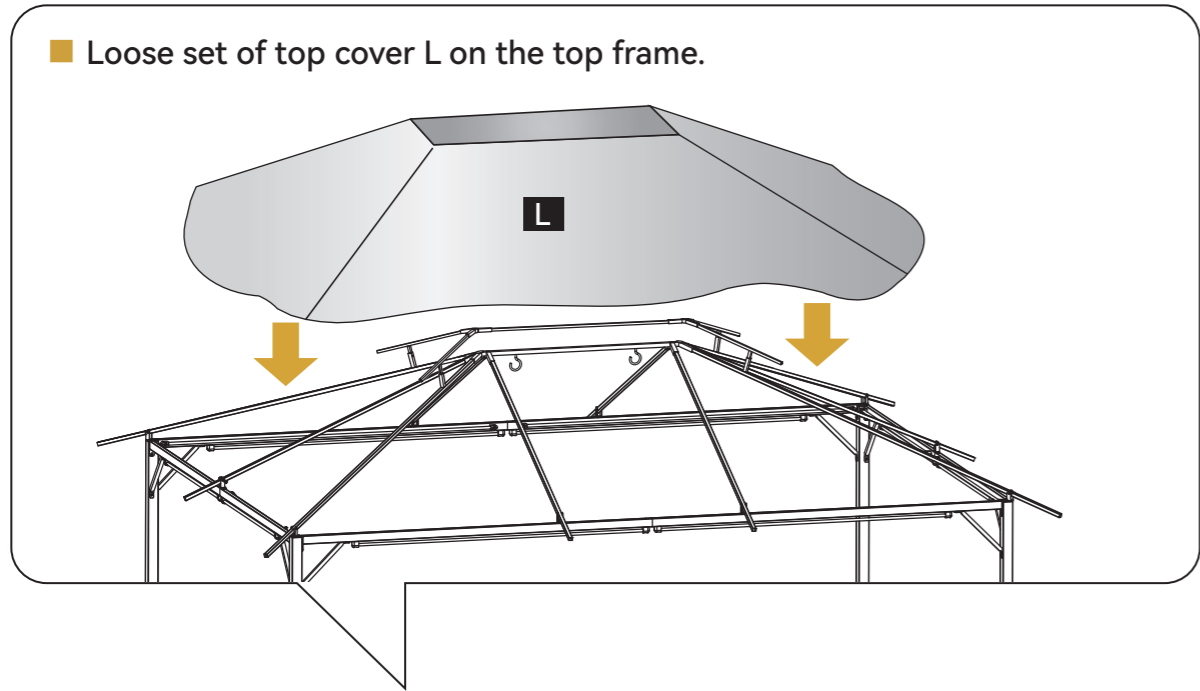
13

TOP FRAME INSTALLATION



L x1

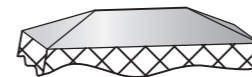
Loose set of top cover L on the top frame.



TOP FRAME INSTALLATION

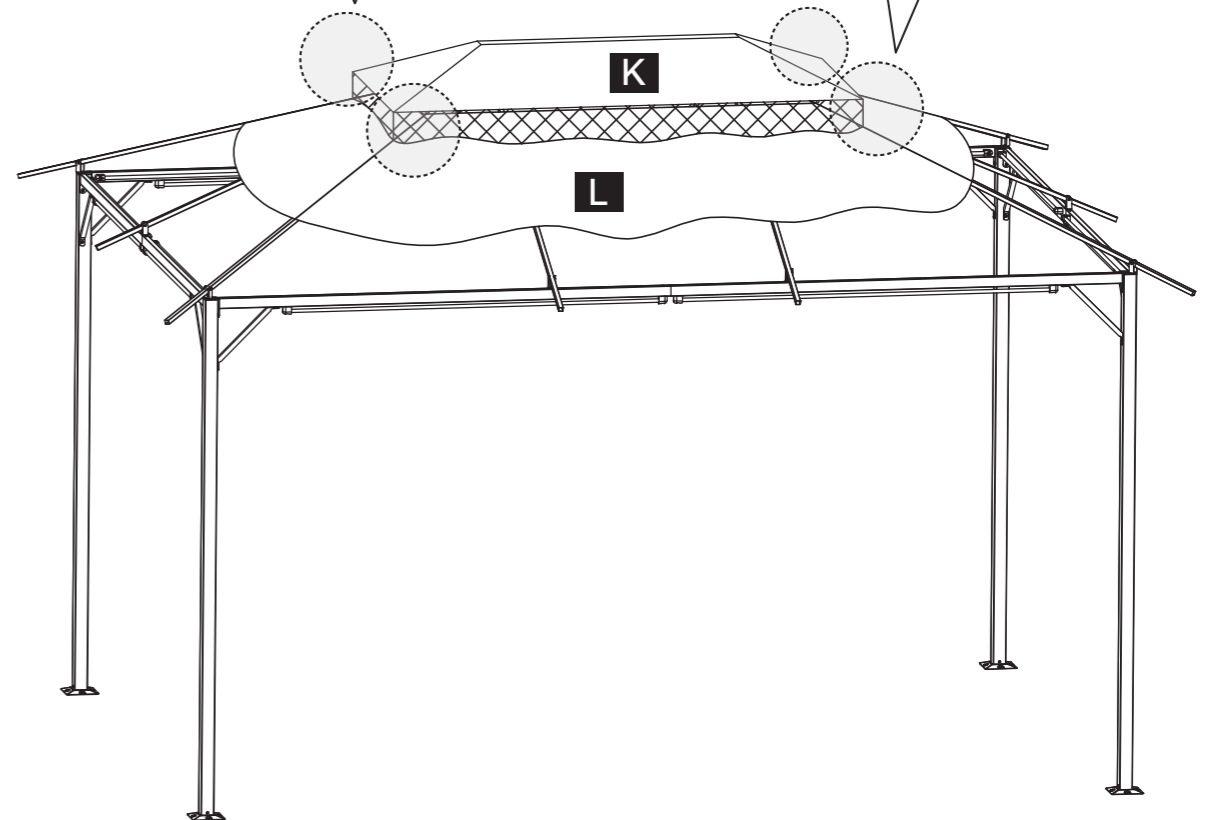
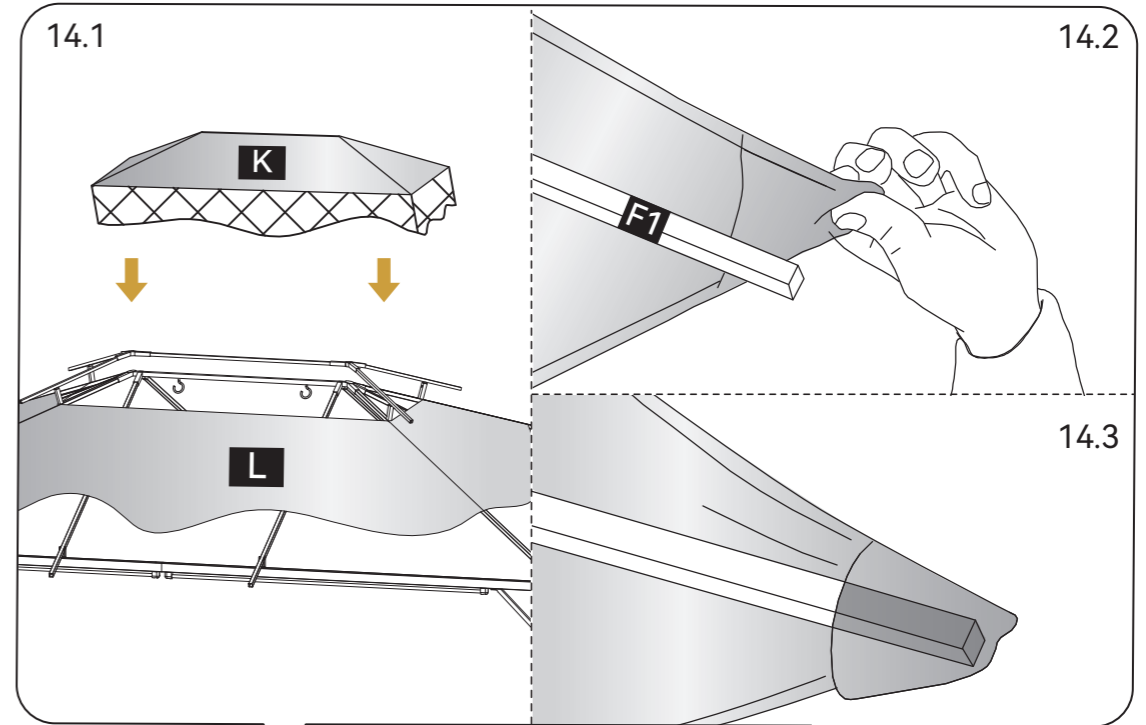
STEP

14



K x1

Set the small top cover K over the top frame.

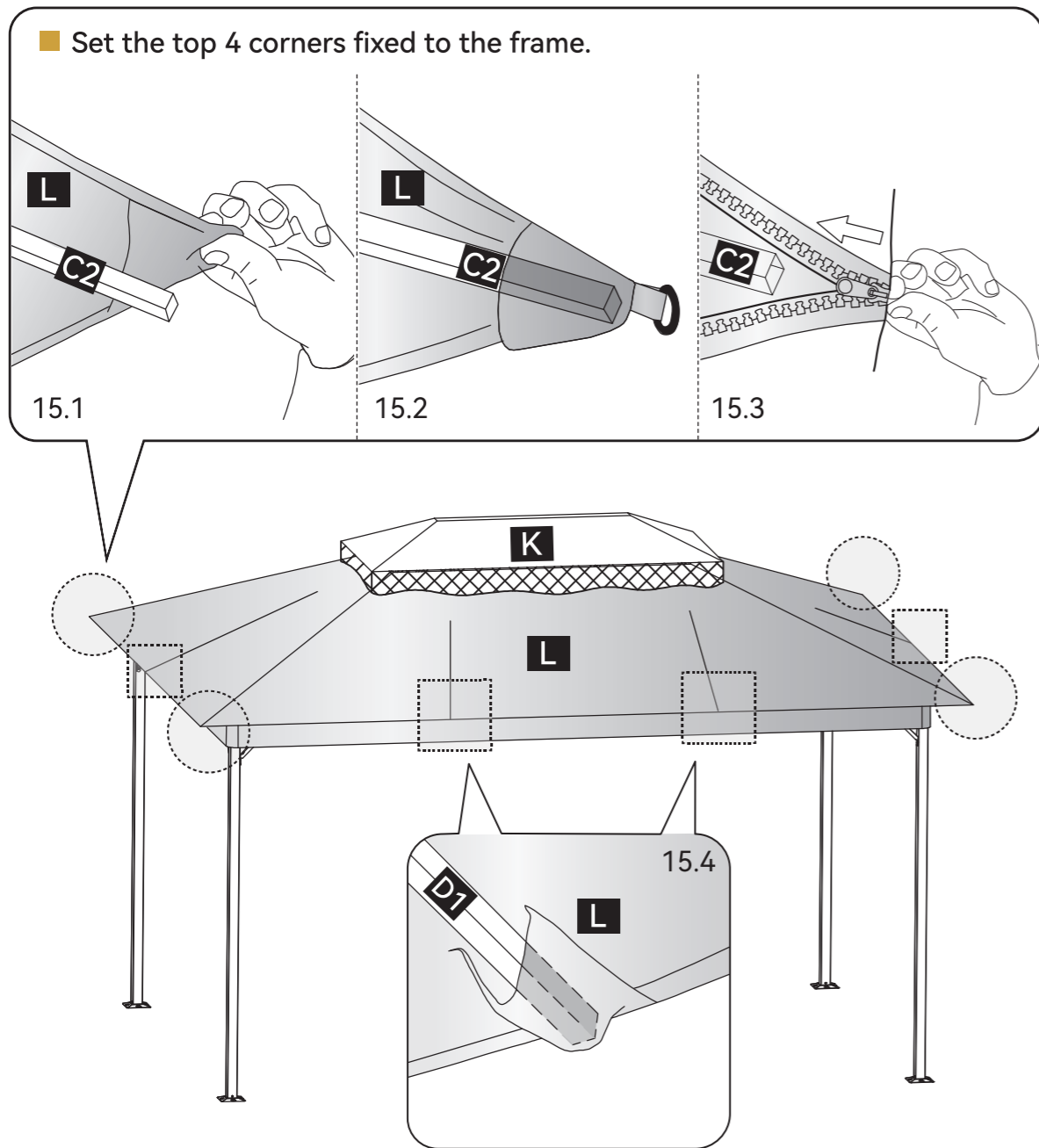


■ Assembly order:

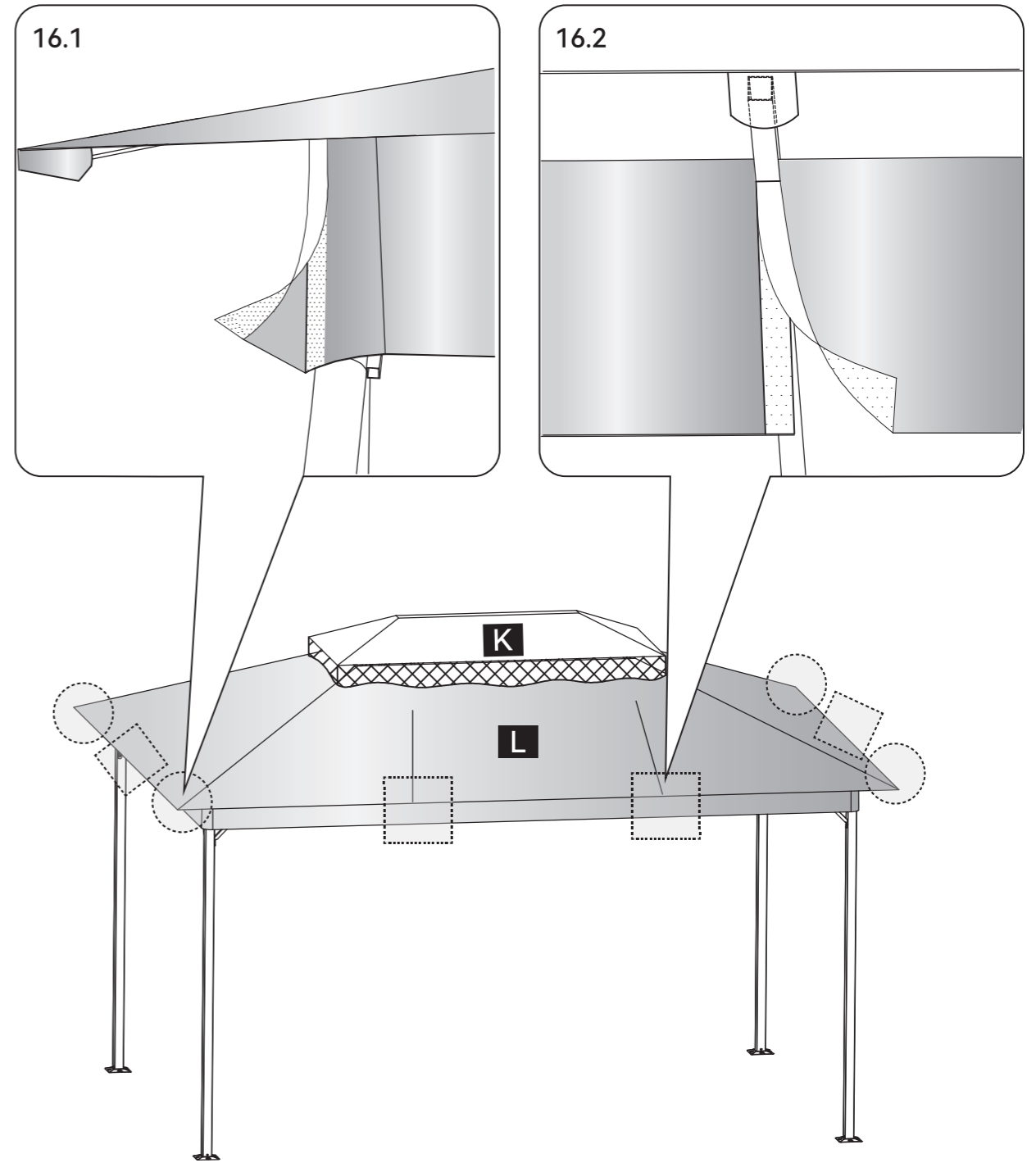
1. The three C2 pockets without zippers.
2. The remaining C2 pockets with zippers.
3. The four D1 pockets.

■ Note:

Following this order will make it easier to complete this part, and please do not glue the ruffles onto the pockets during this step.



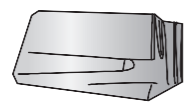
■ Set the top 4 sides fixed to the frame.



STEP

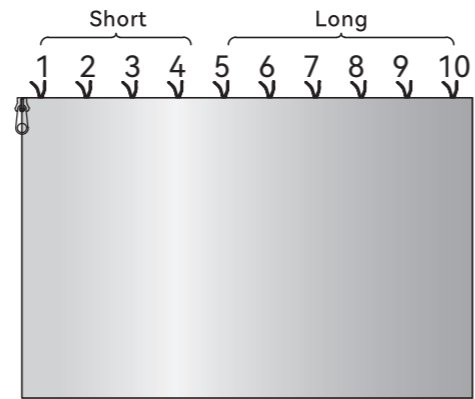
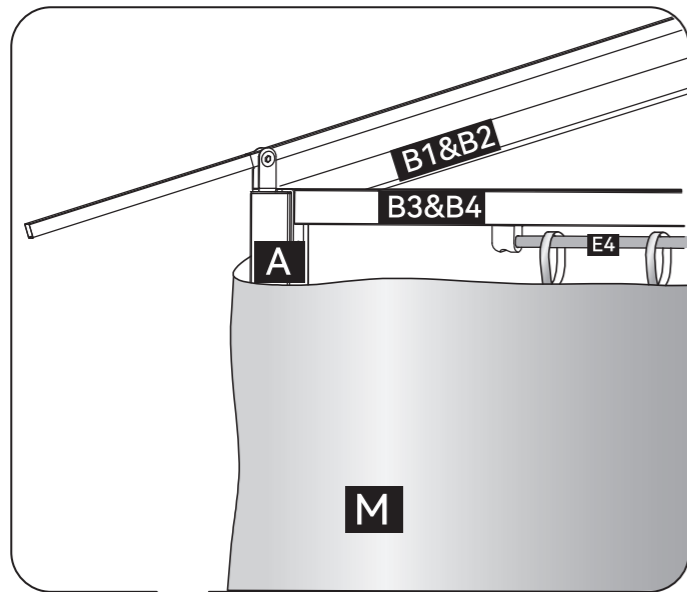
17

CURTAINS ASSEMBLY

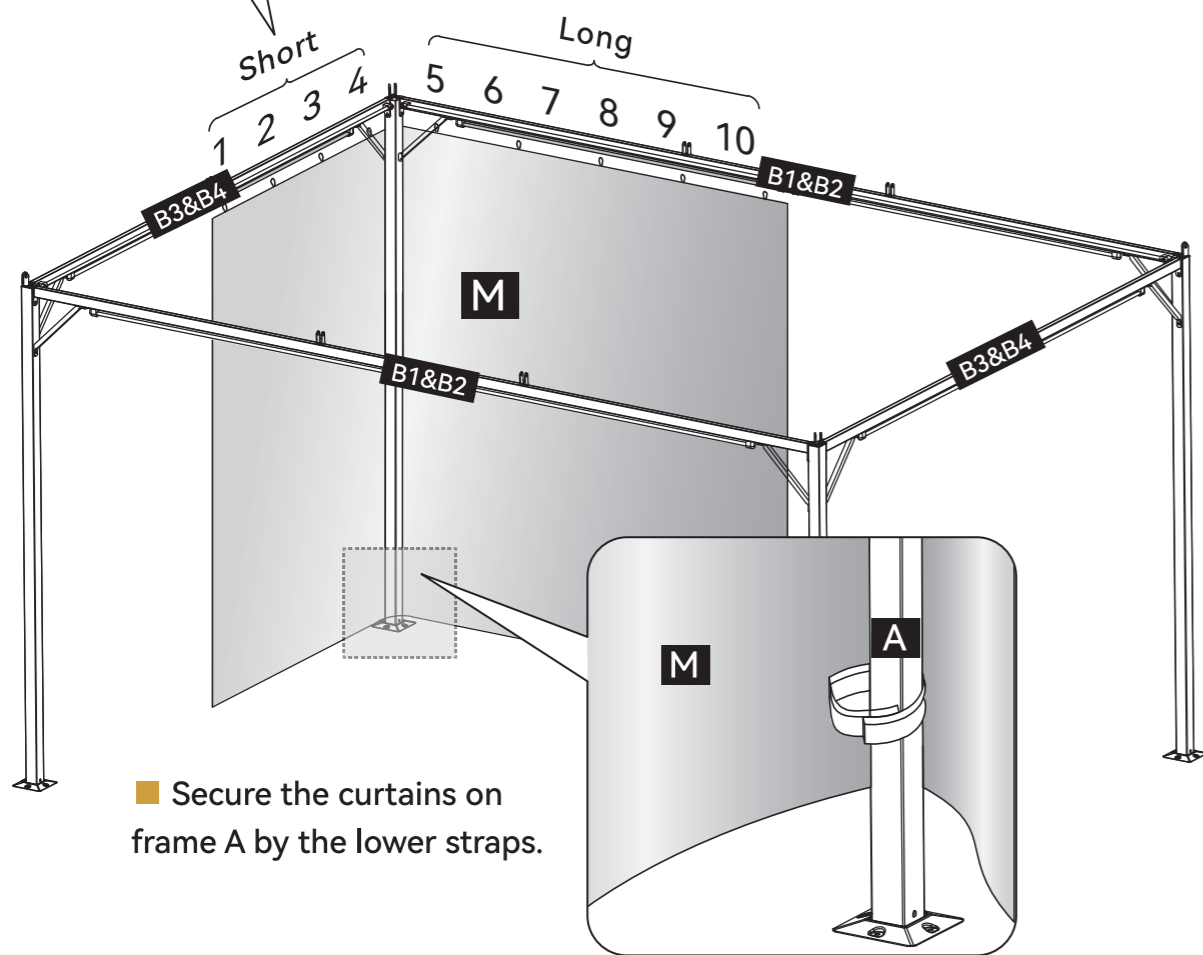


Privacy Curtain

M x4



■ Please distinguish the straps quantity of long and short sides.

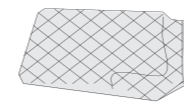


■ Secure the curtains on frame A by the lower straps.

CURTAINS ASSEMBLY

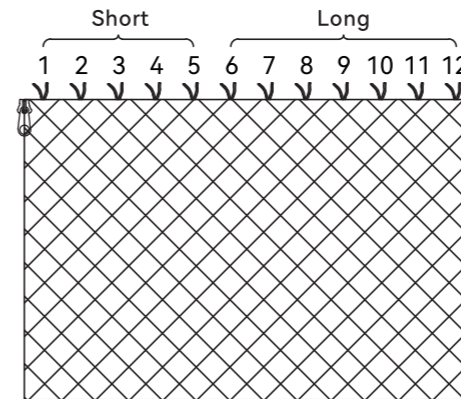
STEP

18

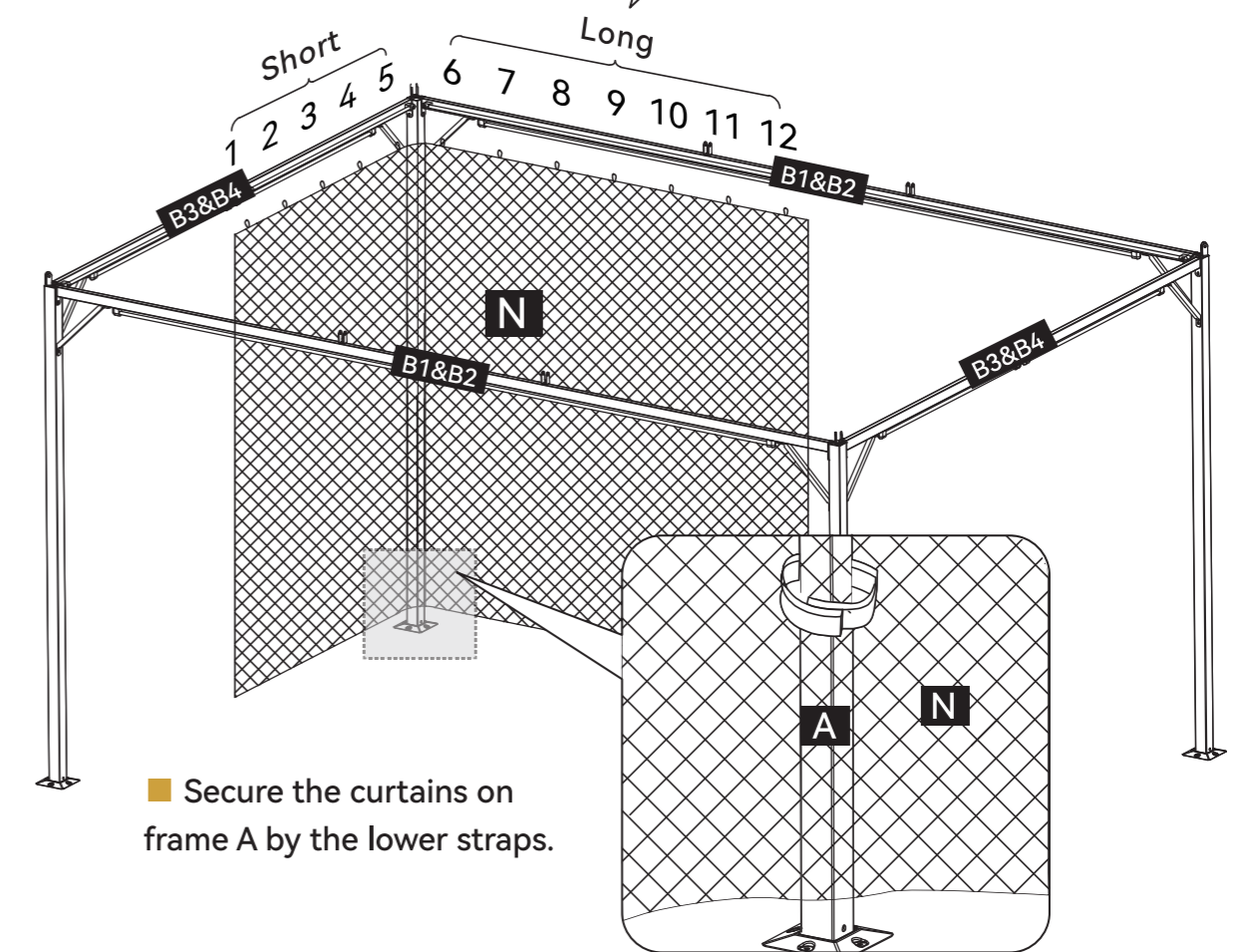
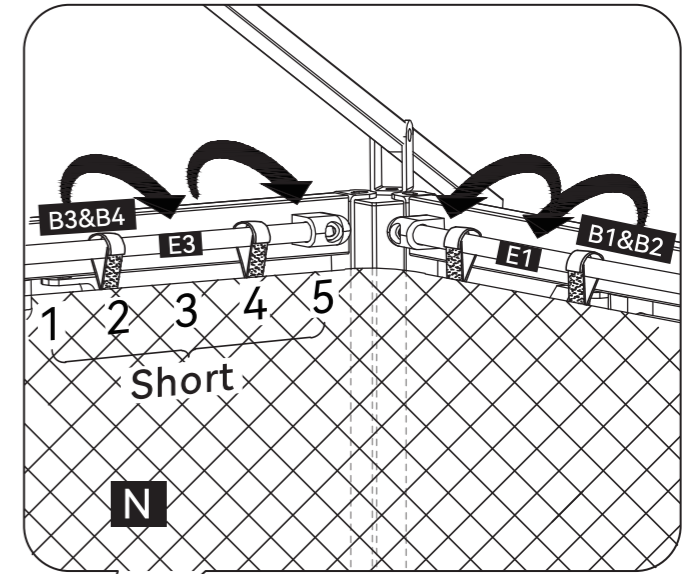


Mosquito Mesh

N x4



■ Please distinguish the straps quantity of long and short sides.



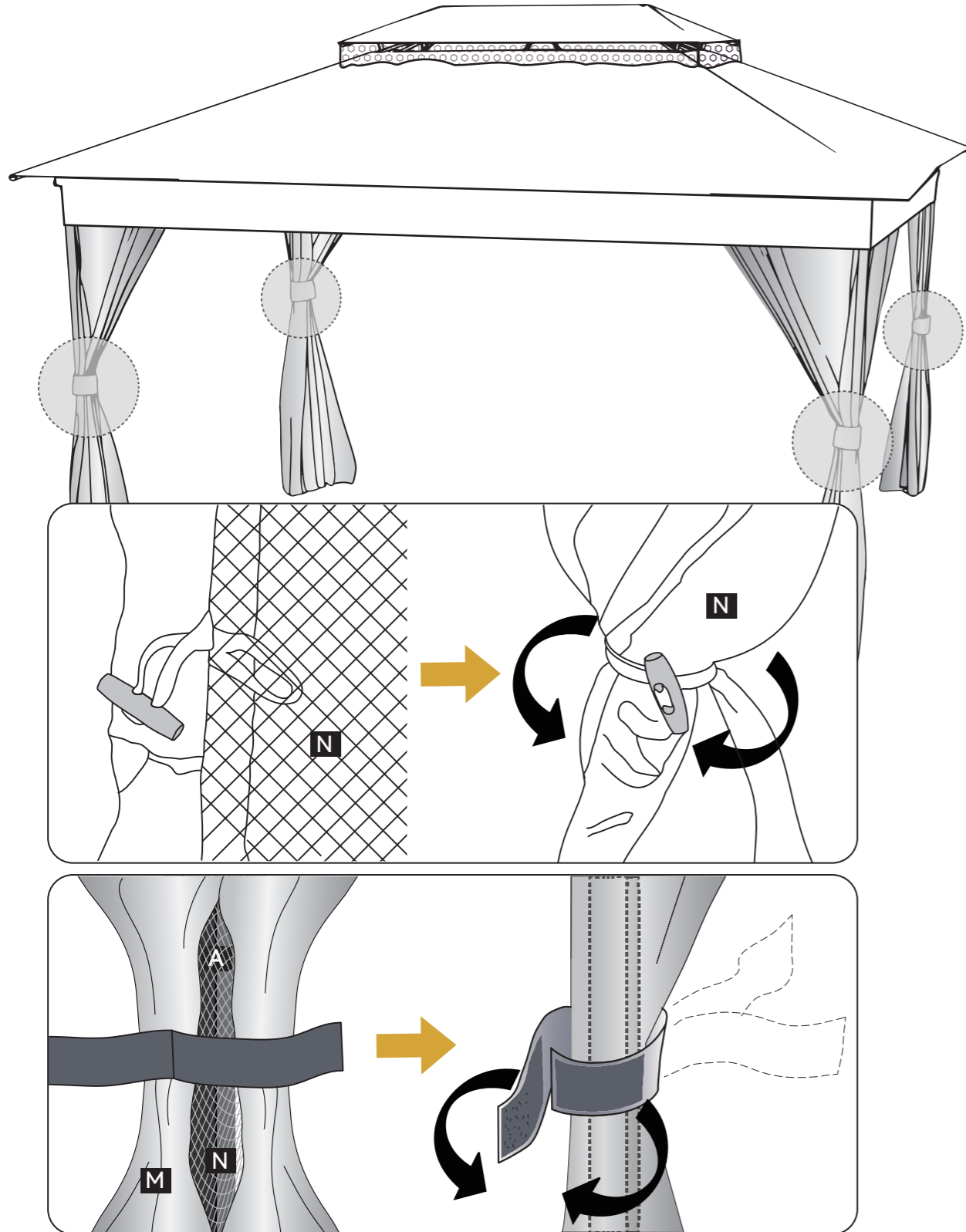
■ Secure the curtains on frame A by the lower straps.

STEP

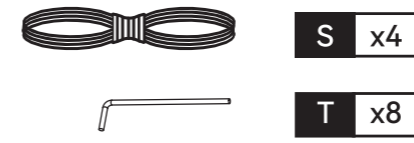
19

CURTAINS ASSEMBLY

■ The netting N and the curtains M can be fixed to the frame A by the straps when the net/curtains are not using.

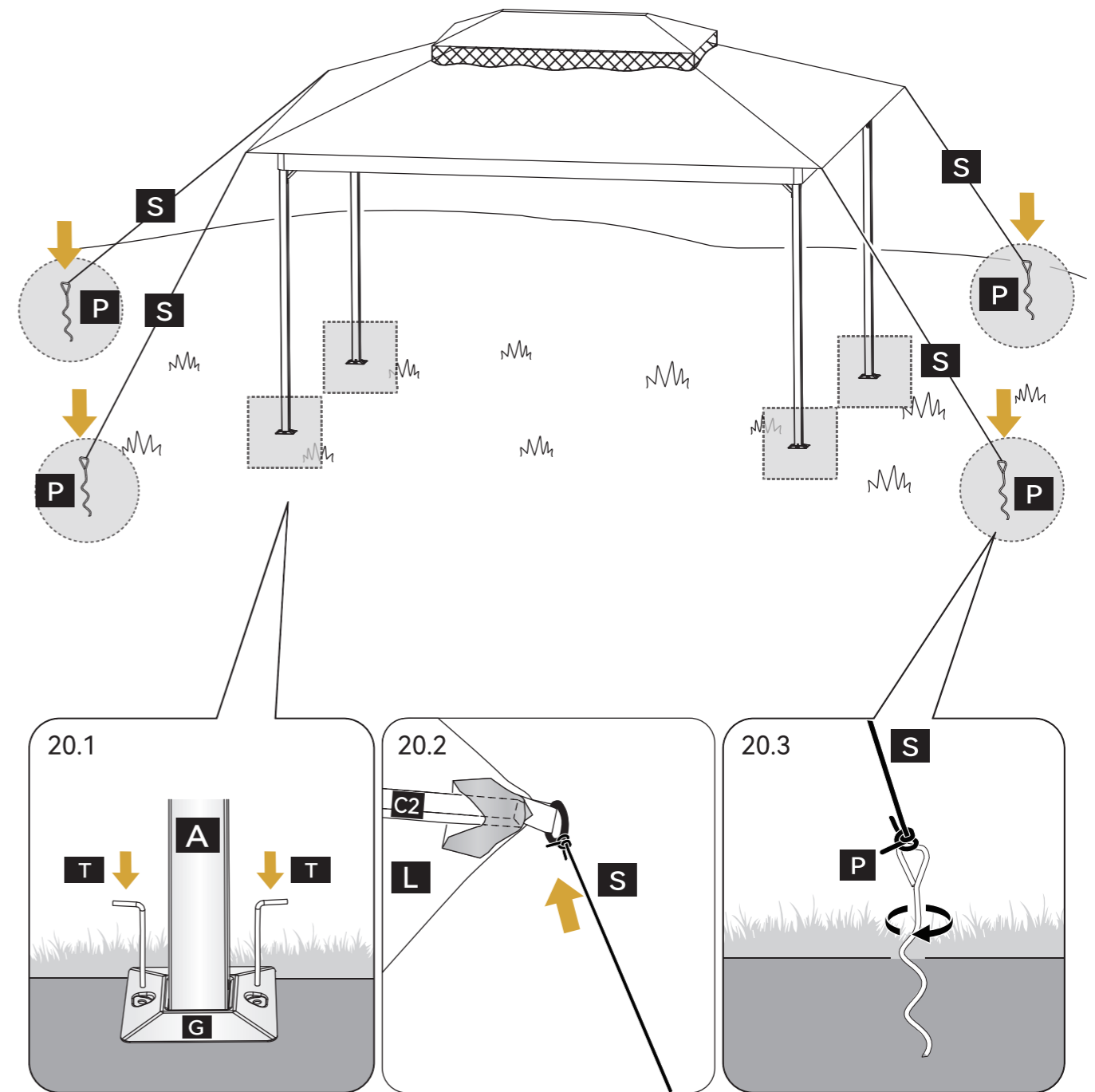


STRENGTHEN FRAME STABILITY



STEP

20

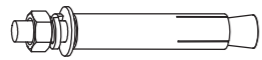


■ Suitable for soft ground such as grass.

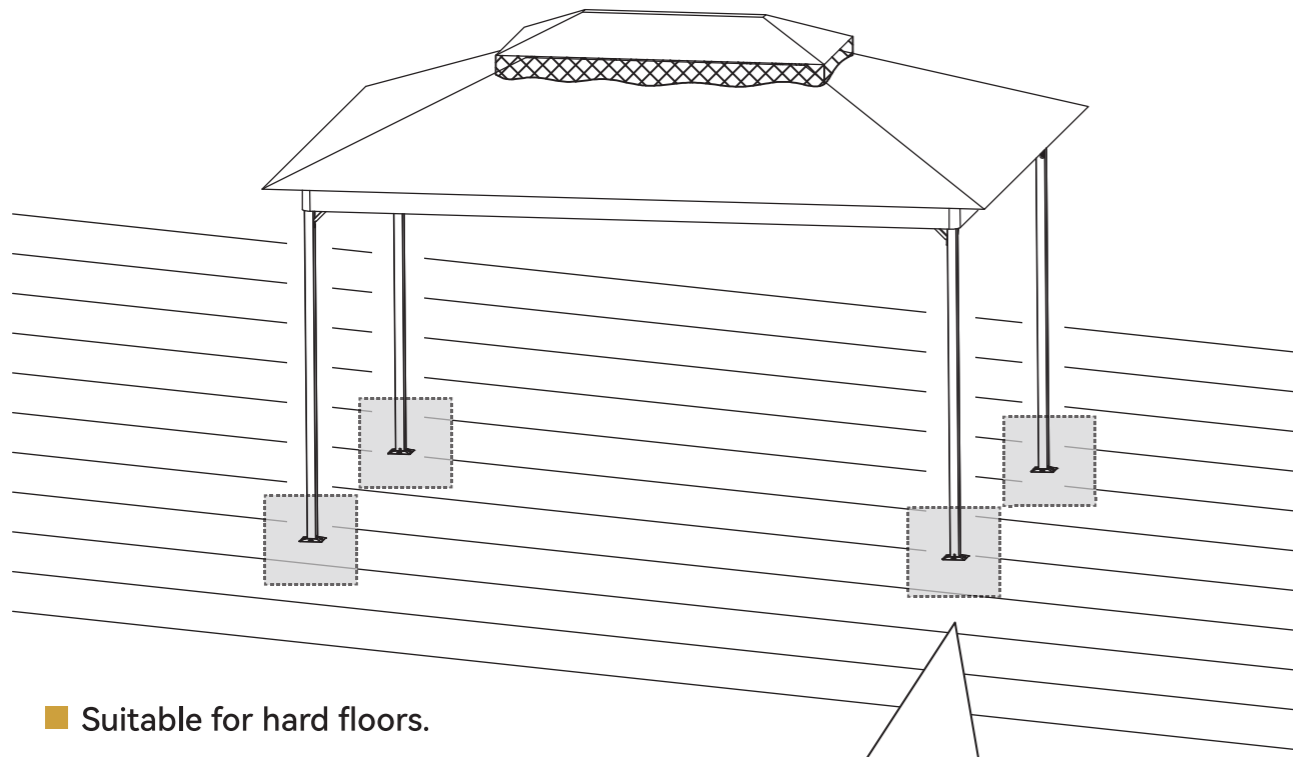
STEP

21

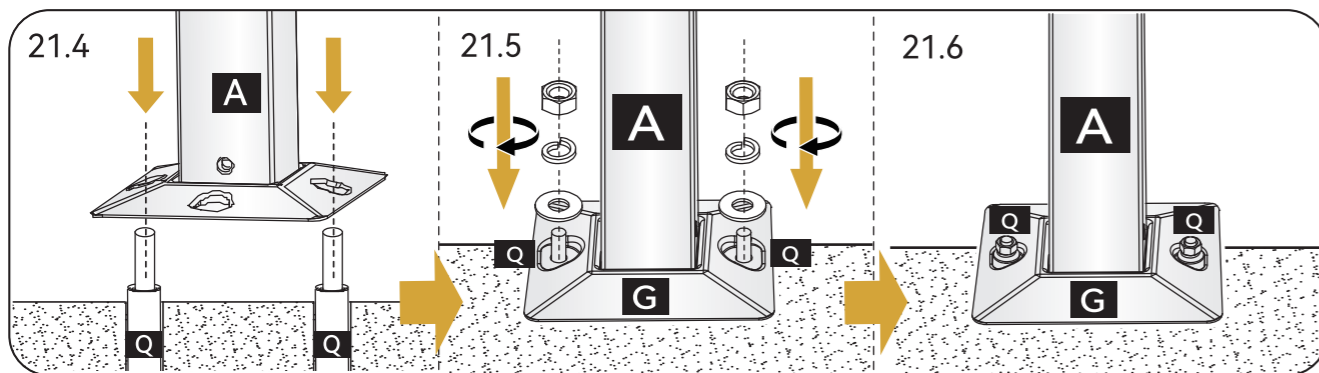
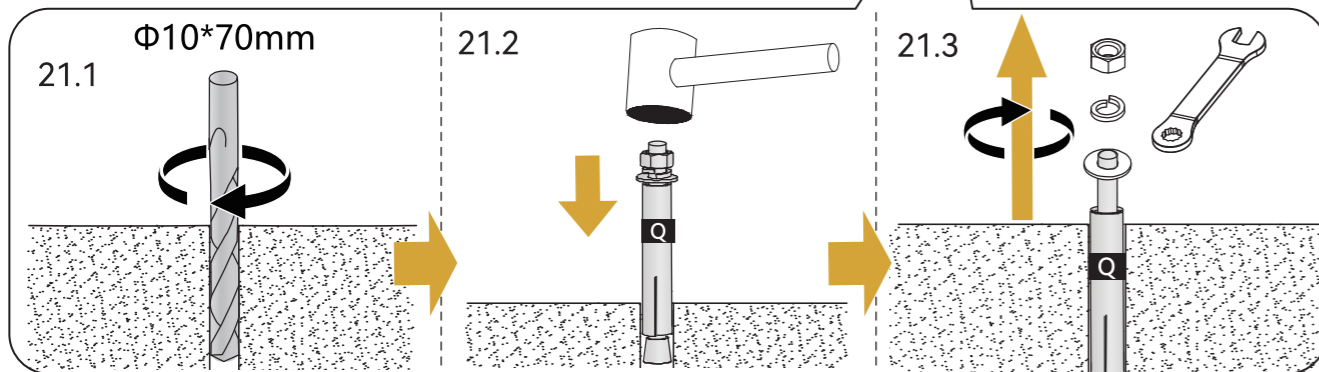
STRENGTHEN FRAME STABILITY



Q x8



■ Suitable for hard floors.



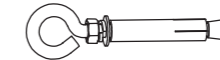
STRENGTHEN FRAME STABILITY

STEP

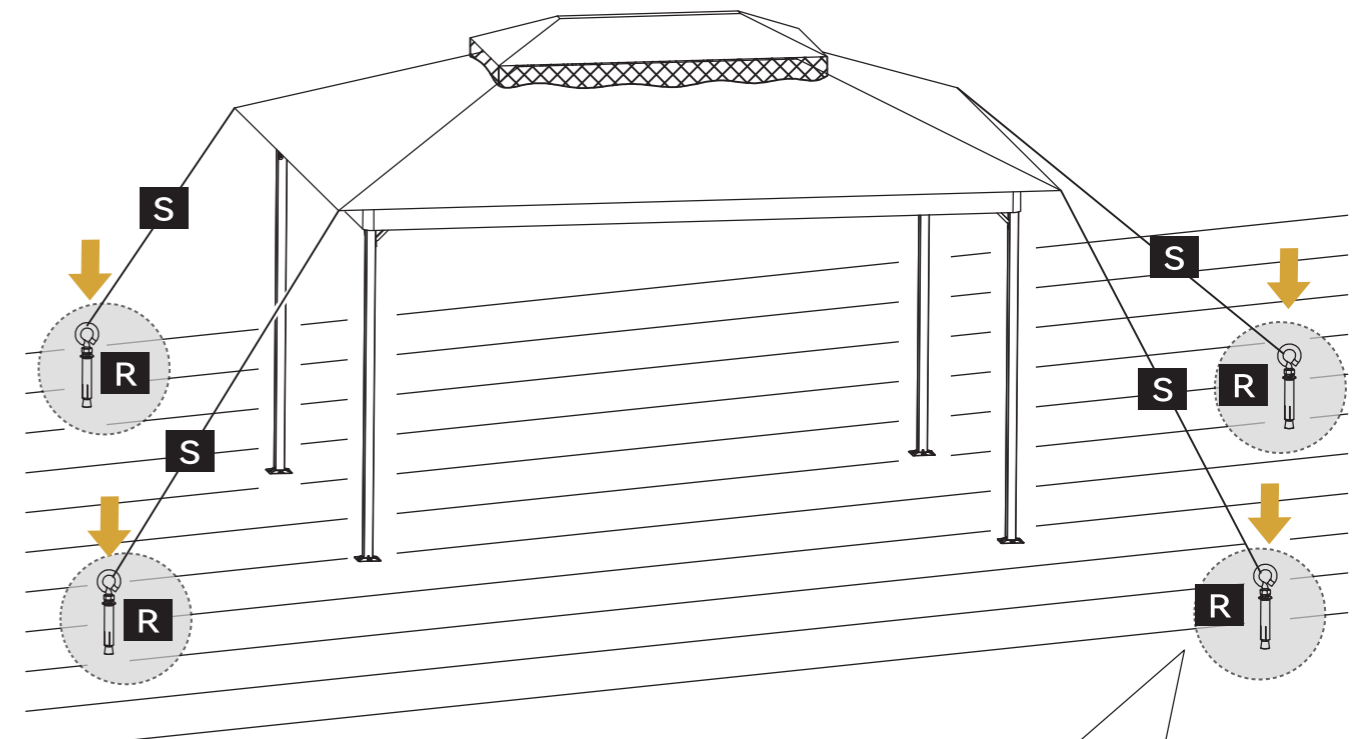
22



S x4



R x4



■ Suitable for hard floors.

