

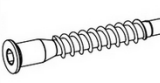




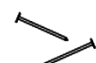
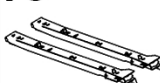



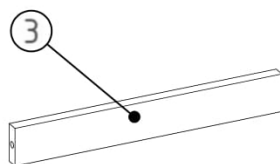
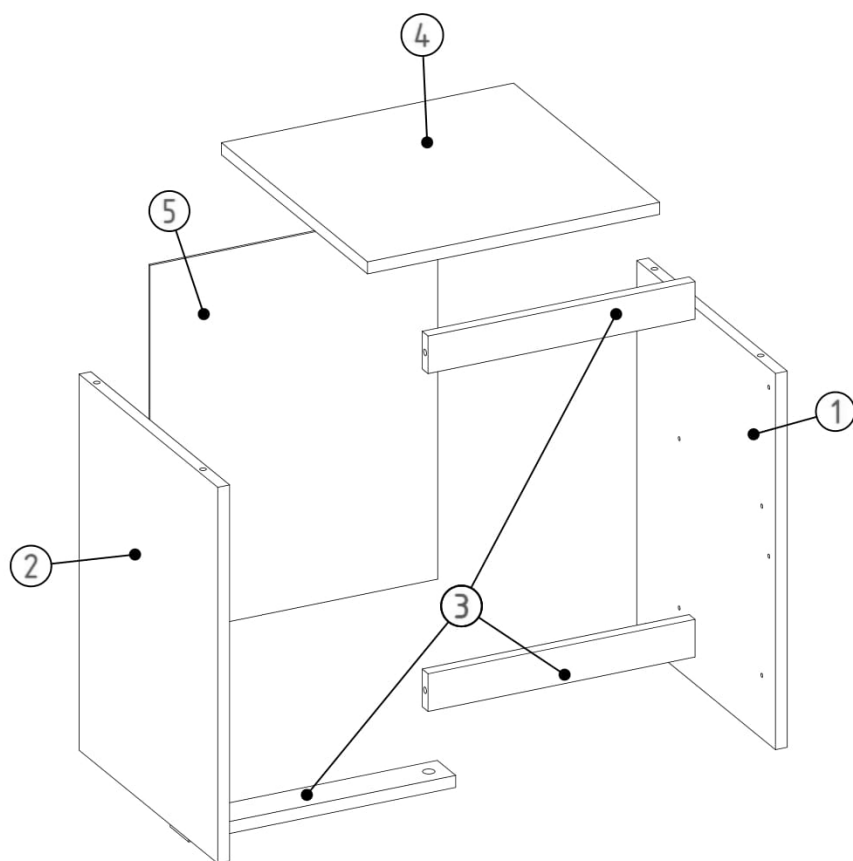
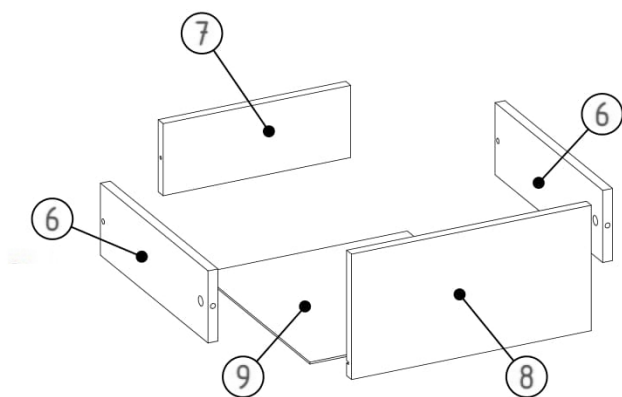







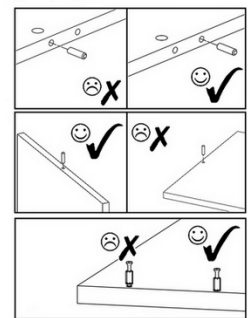
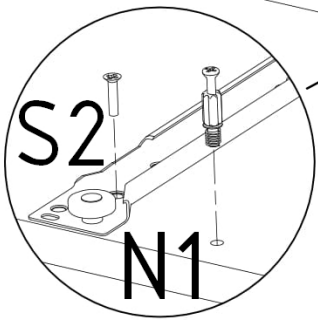
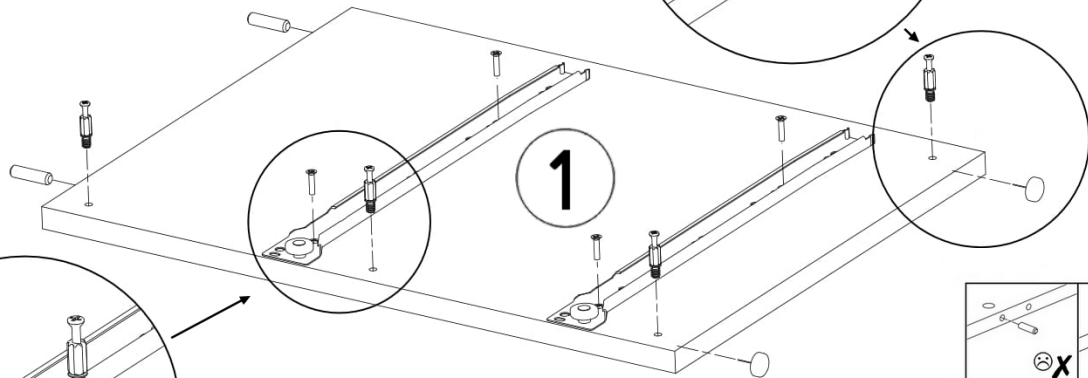
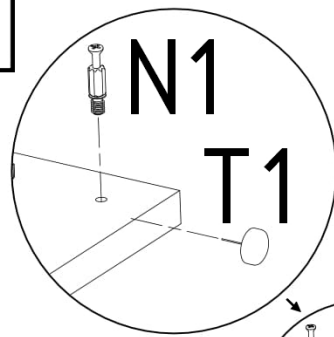
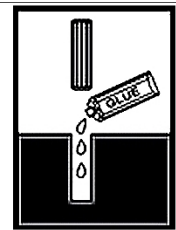
N1  L=35mm x12	M1  12x15 mm x12	F1  7x50mm x4	S1  3,5x16 mm x8	E1  8x30mm x4	 x1
T1  x4	Z1  x30	P3  L=350mm x 2	S2  6x9 mm x 8	M2  ø17 mm x 4	F3  x1








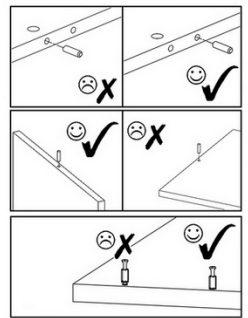
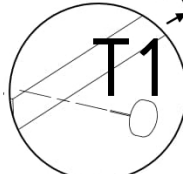
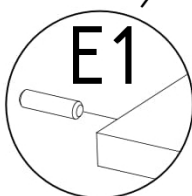
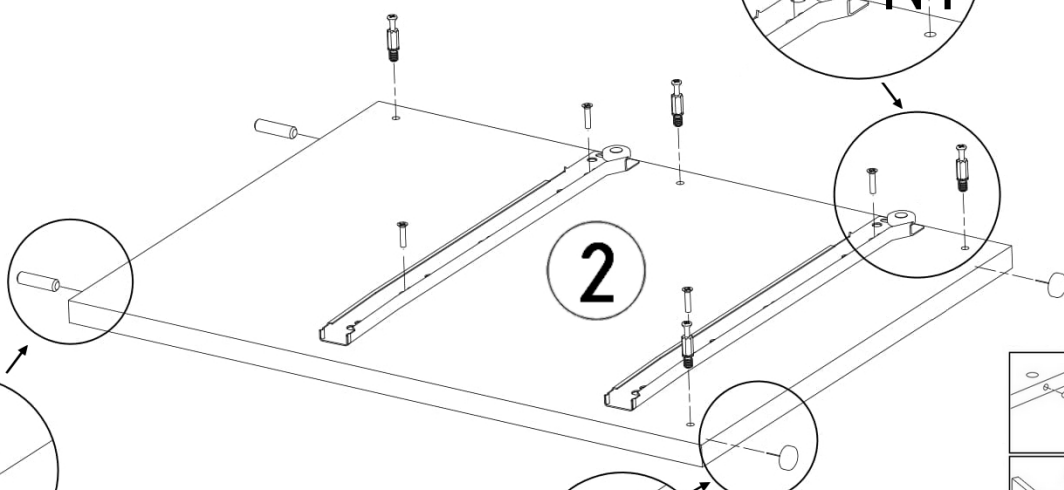
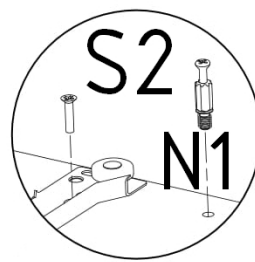
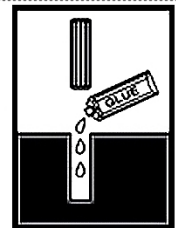
1	x	1
2	x	1
3	x	4
4	x	1
5	x	1
6	x	4
7	x	2
8	x	2
9	x	2




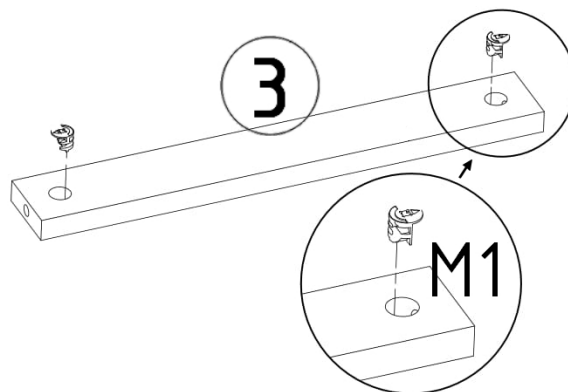
N1  L=35mm X4	T1  X2	S2  6x9 mm X4	E1  8x30mm X2	
--	---	---	--	--



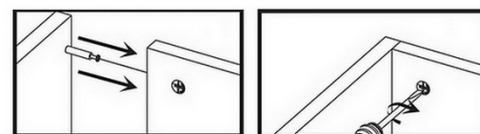
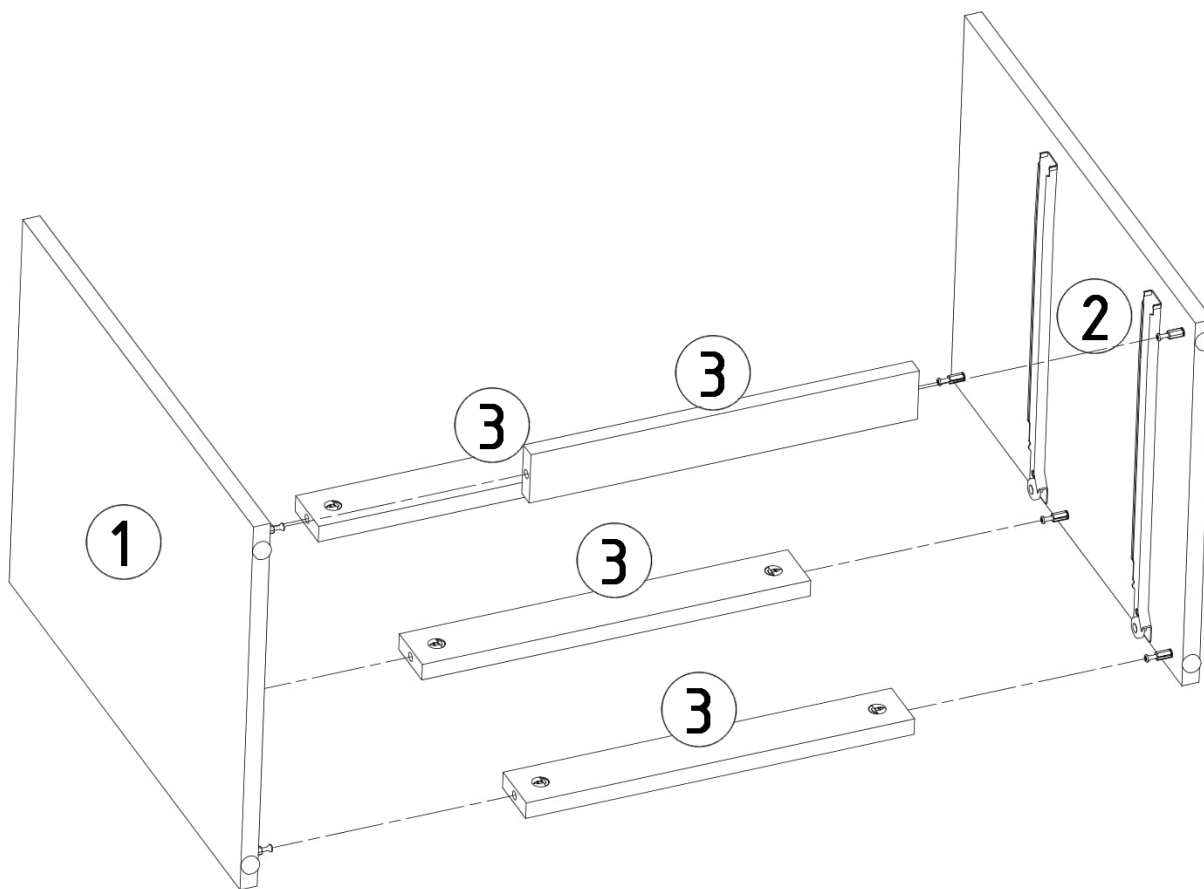
N1  L=35mm X4	T1  X2	S2  6x9 mm X4	E1  8x30mm X2	
---	--	---	---	---



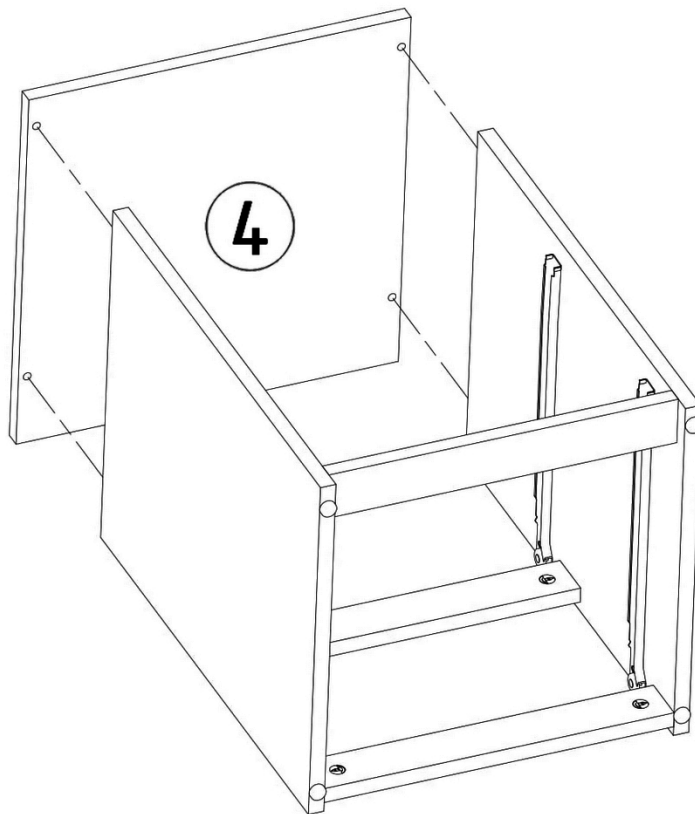
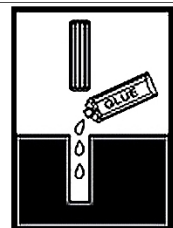
M1

12x15 mm x8



x4



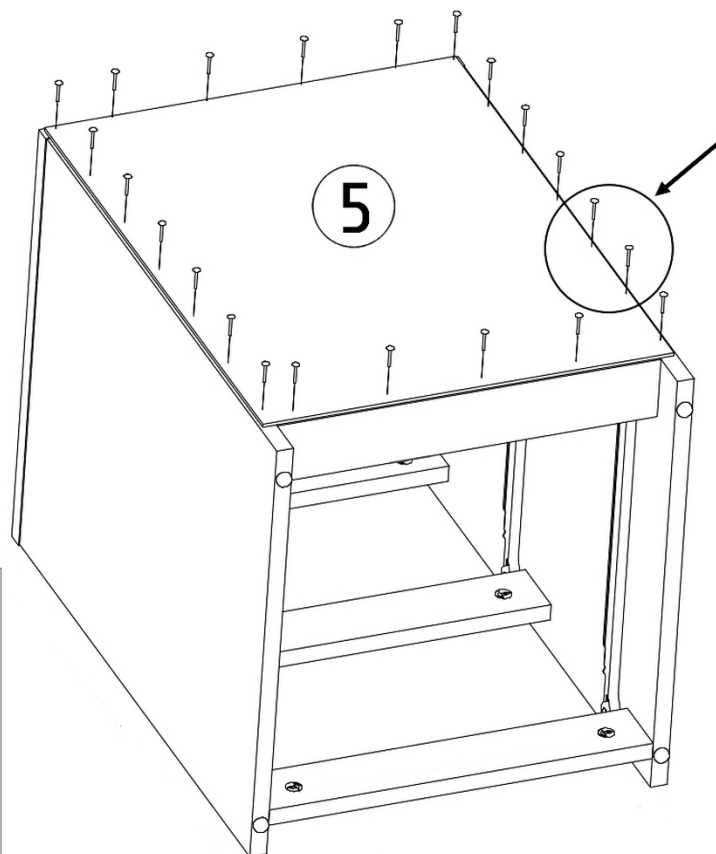
GLUE



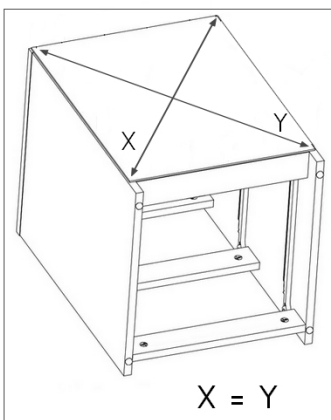
Z1

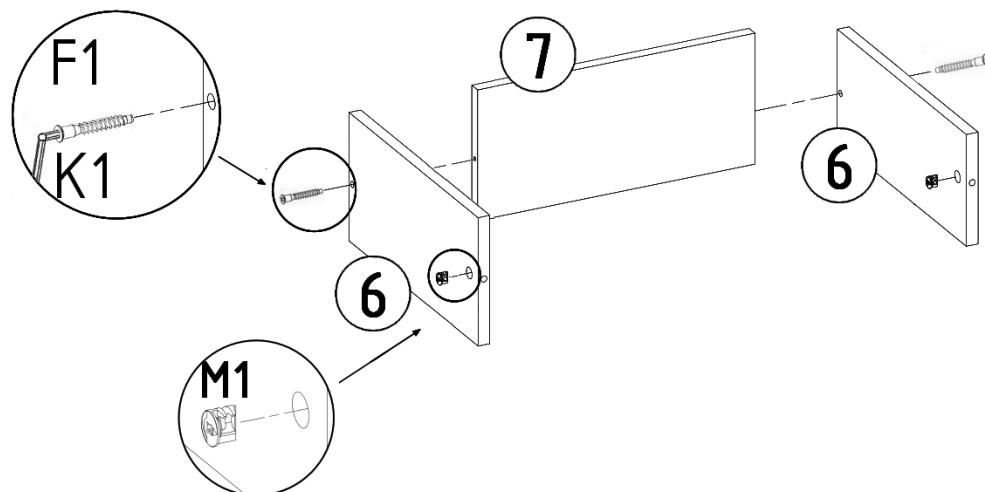
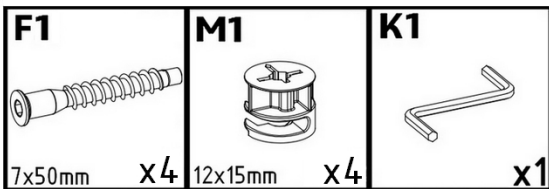


x24

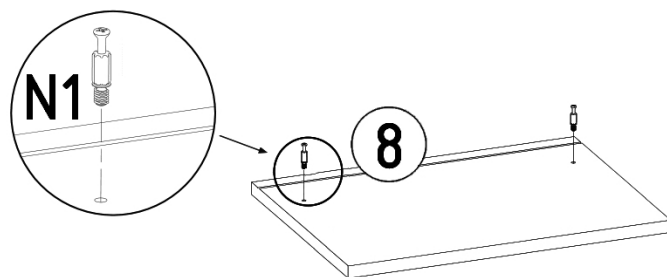


Z1

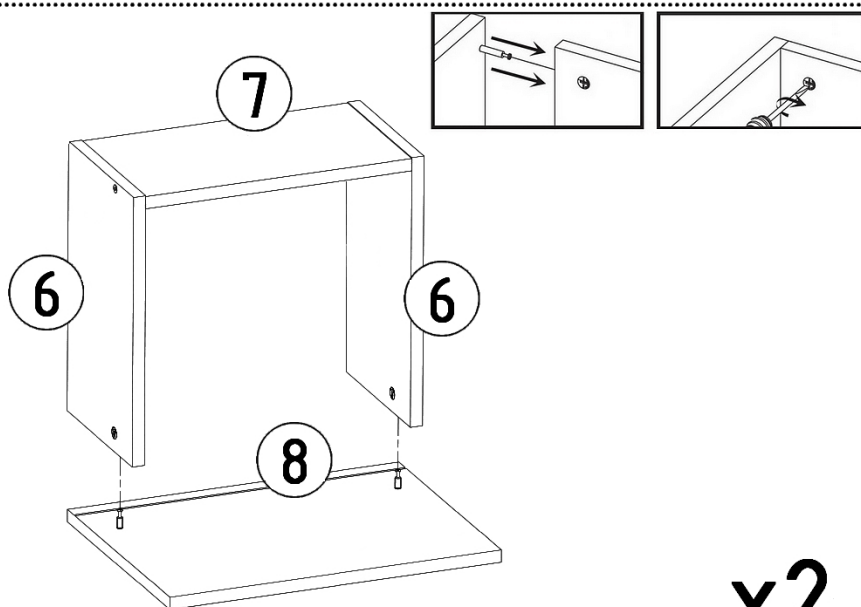




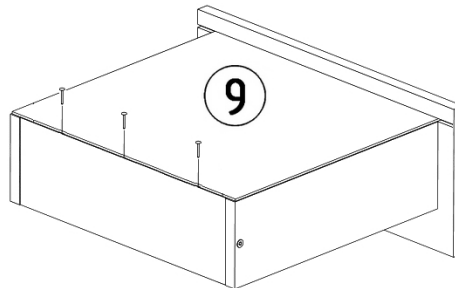
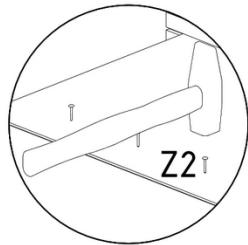
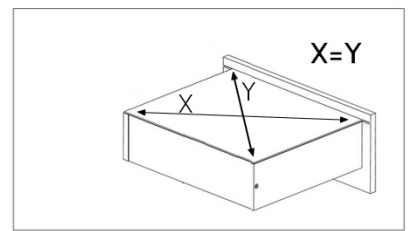
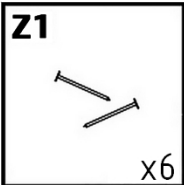
x2



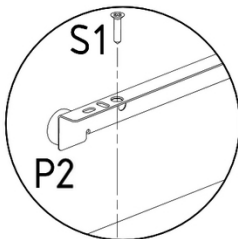
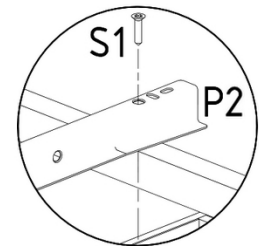
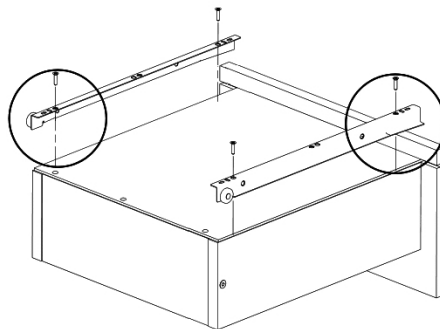
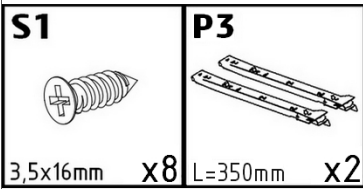
x2



x2



x2



x2

