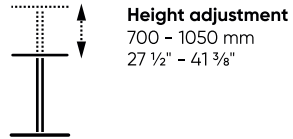
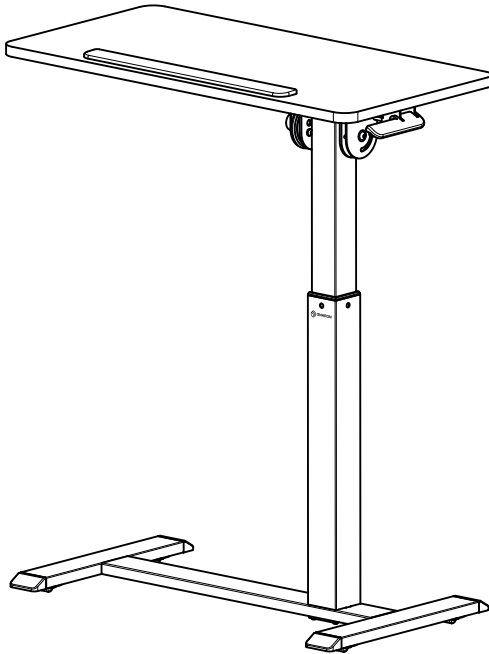


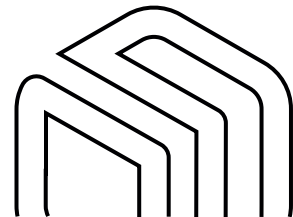
LMG8

Adjustable Desk

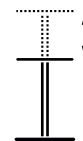
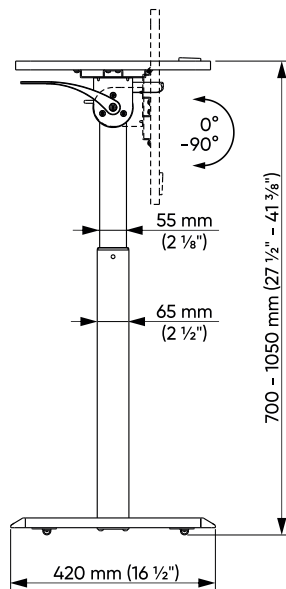
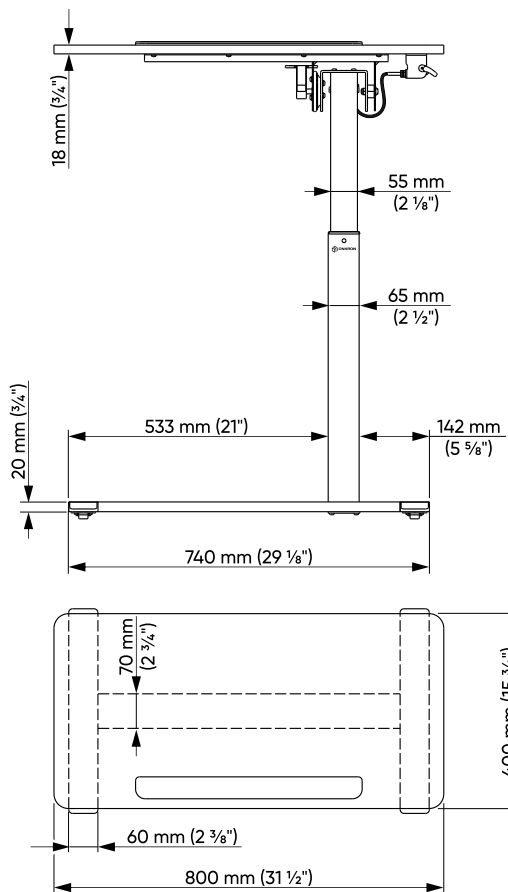


Load capacity
8 kg
17.6 lbs

User guide



LMG8



Height adjustment
700 - 1050 mm
27 1/2" - 41 3/8"



Tilt adjustment
0° ~ -90°



Load capacity
8 kg
17.6 lbs

EN Thank you for choosing ONKRON!

We want you to be completely satisfied with your new unit. If you have any questions, issues or safety concerns, please contact our sales team. We will respond promptly.

BECAUSE WE CARE

Share your thoughts or ideas about our products. Help us continue to deliver the highest quality designs. Please take a moment and leave us some feedback online. Thank you! Sincerely, ONKRON.

If you have any questions about the assembly and operation of the product, or if the product is damaged, please contact our customer service team:

USA: info@onkron.us / +13159682278

United Kingdom (UK): support@onkron.co.uk / +442045772866

Europe: info@onkron.de / +494029996807

IMPORTANT

BEFORE installation, use the checklist to verify that all components are included. If any parts are missing or appear defective, contact our customer service team for a replacement.

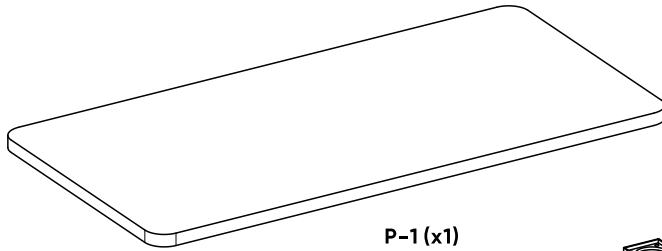
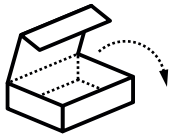
You may need specialist help to assemble it.

CAUTION

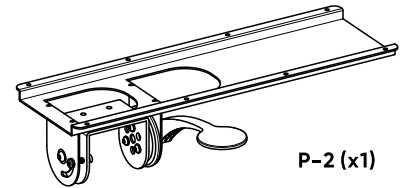
- Please read the entire instructions and safety guidelines prior to assembly. Failure to do so may cause injury, product damage, and additional material damage.
- Always wear suitable personal protective equipment and use the correct tools to perform the installation safely.
- **DO NOT** exceed the maximum permissible weight of the unit, make non-factory approved modifications, use the unit outside of its factory approved purpose, or **OVERTIGHTEN** any assembly screws used to join components.
- Use only the factory provided mounting screws as indicated in the instructions.
- Ensure the construction of attaching surfaces has structural integrity capable of supporting the total weight of the unit and all additional equipment and components. In addition, pay attention to the working environment around the unit, which may cause accidental damage, such as (but not limited to) foot traffic, shelves with objects that could fall and insufficient working space. The user must exercise due diligence.
- Keep children away from the assembly hardware. Small parts may cause choking if swallowed.

WARRANTY

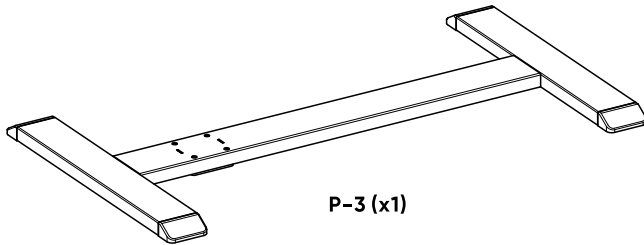
Unlimited lifespan. 12 MONTHS WARRANTY.



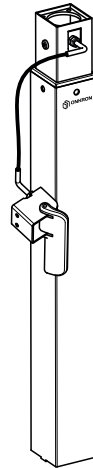
P-1 (x1)



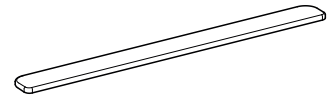
P-2 (x1)



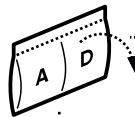
P-3 (x1)



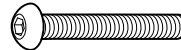
P-4 (x1)



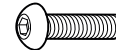
P-5 (x1)



A
M5x12 (x10)



B
M6x40 (x4)

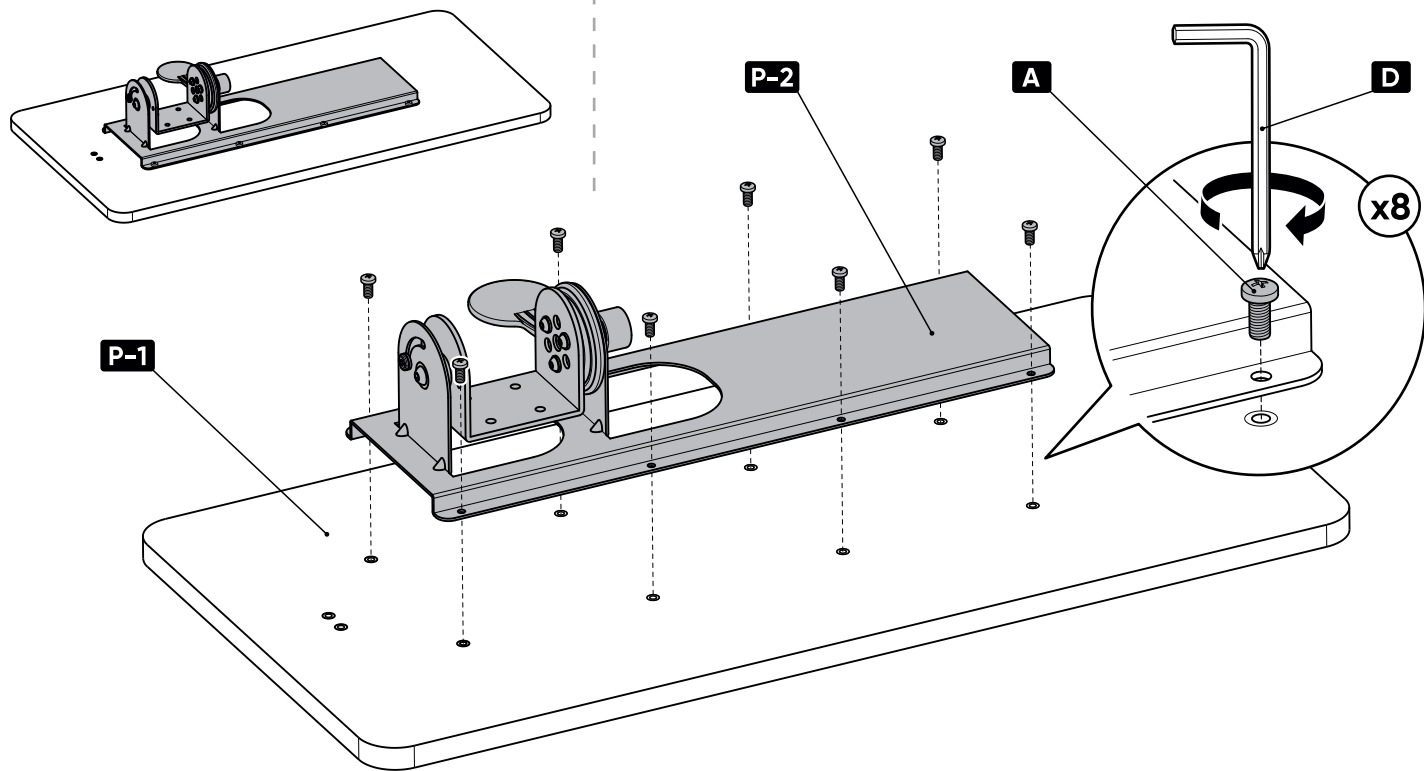
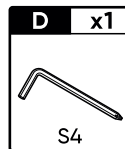
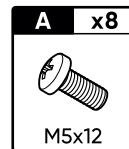
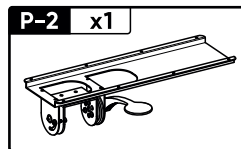
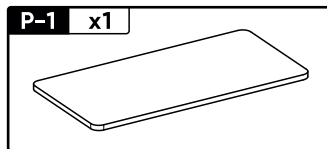


C
M6x20 (x4)

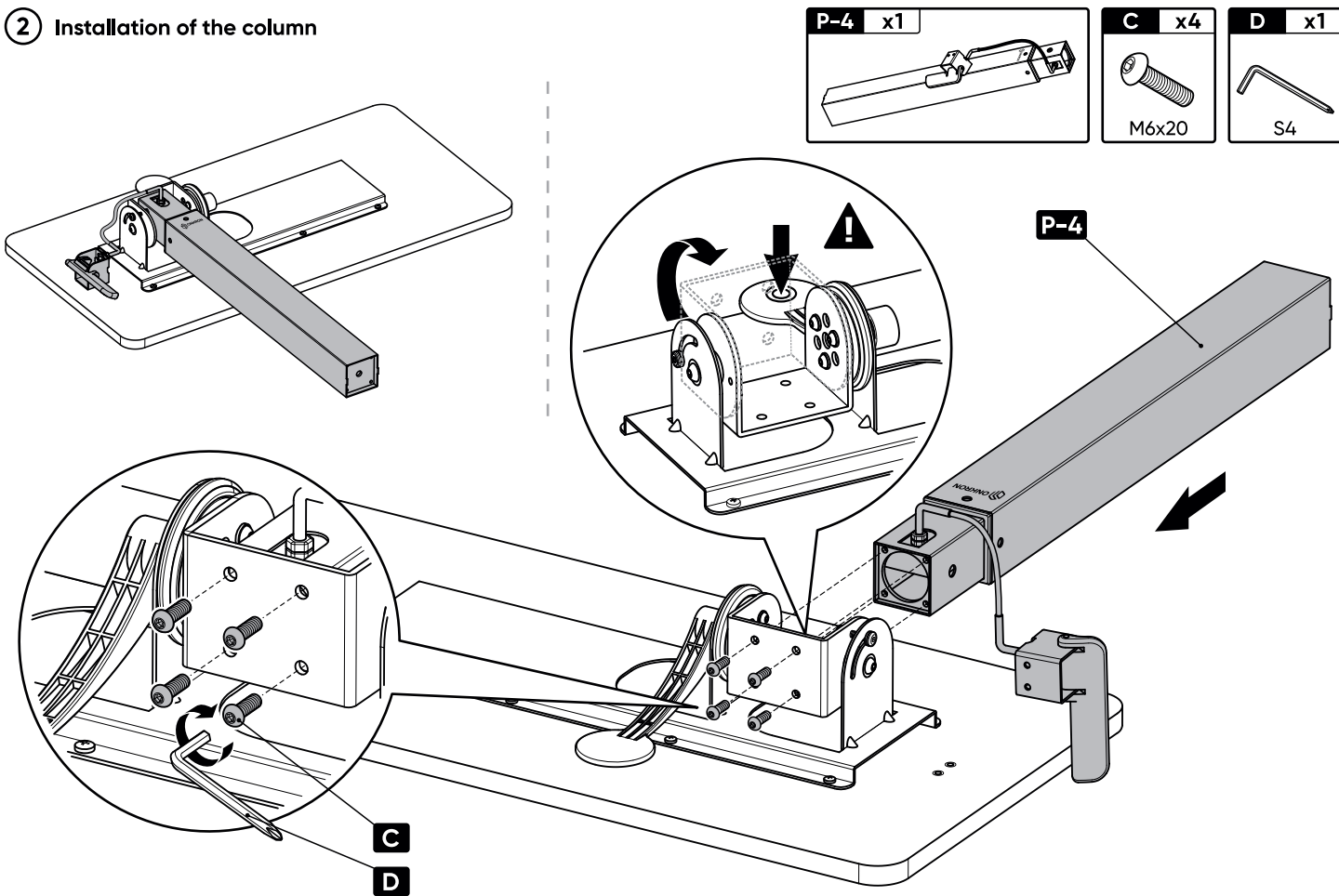


D
S4 (x1)

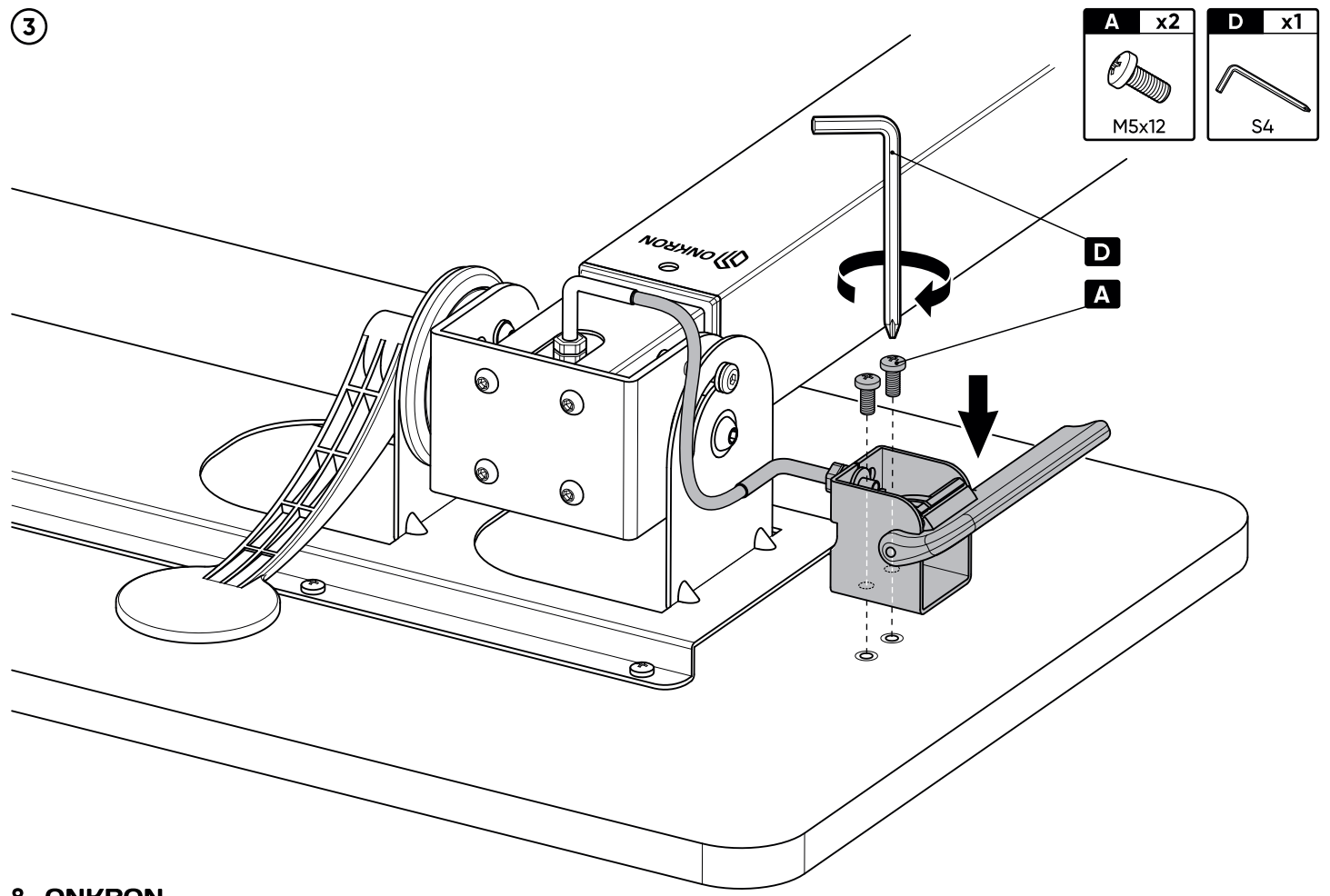
1 Assembly of the tabletop



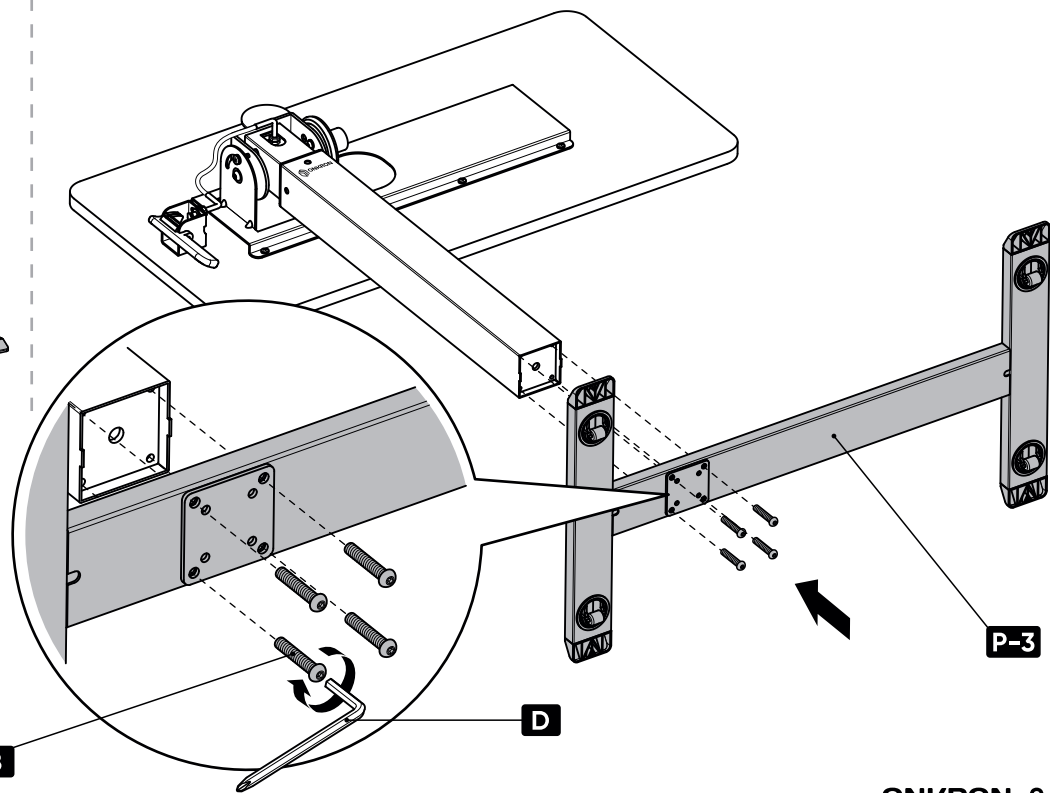
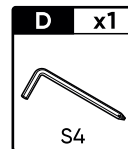
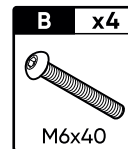
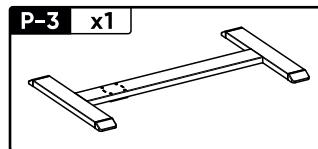
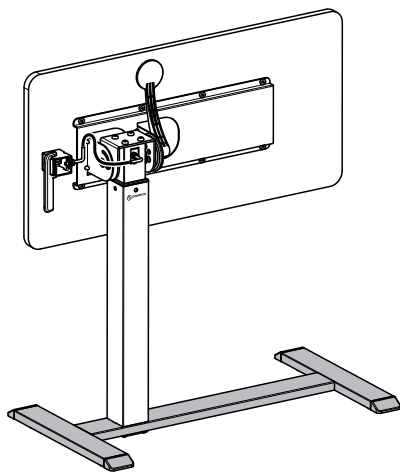
② Installation of the column



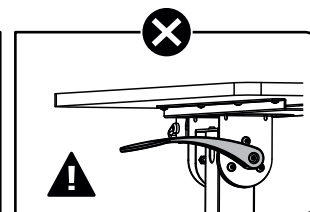
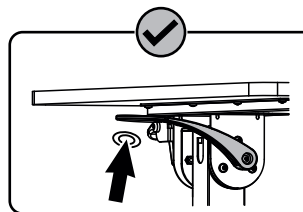
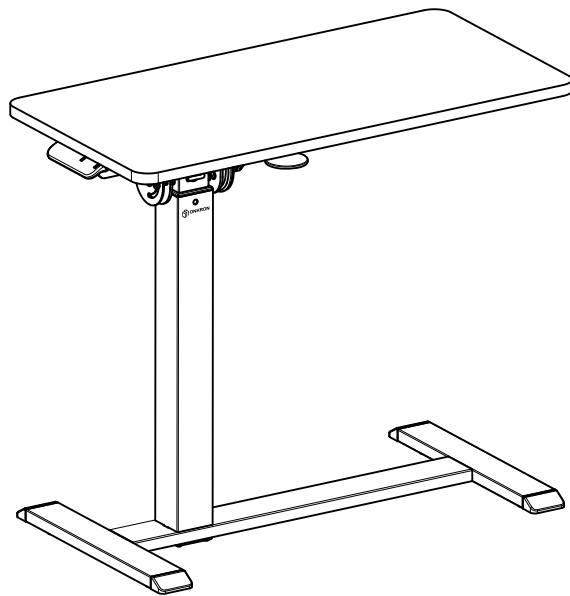
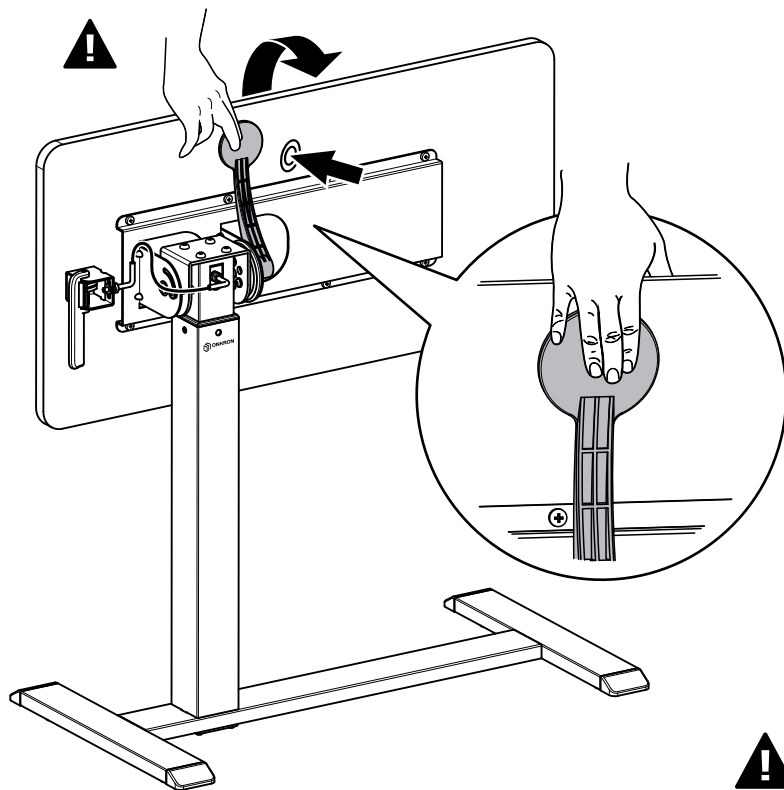
3



4 Base installation

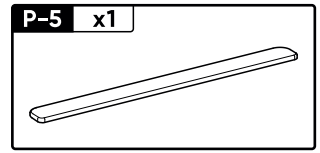
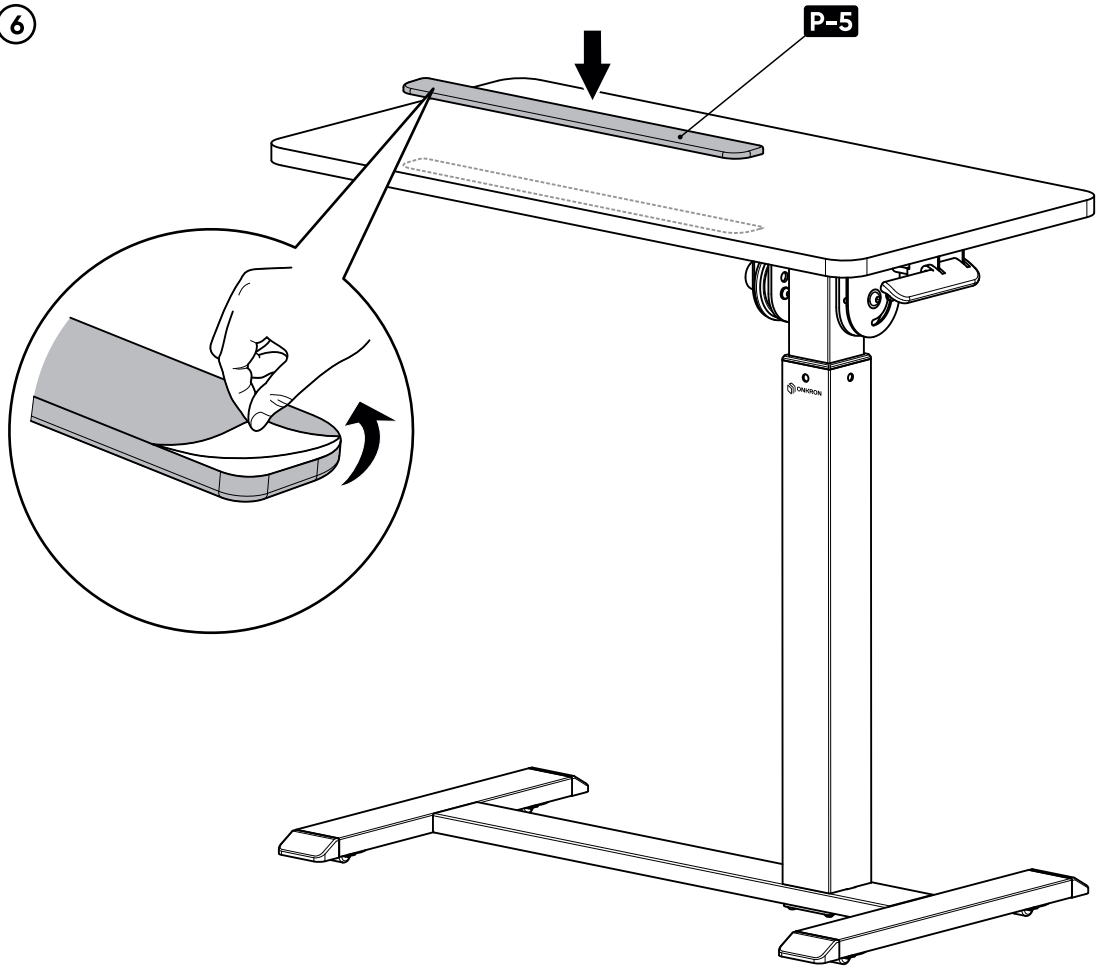


5 Setting the table to a horizontal position

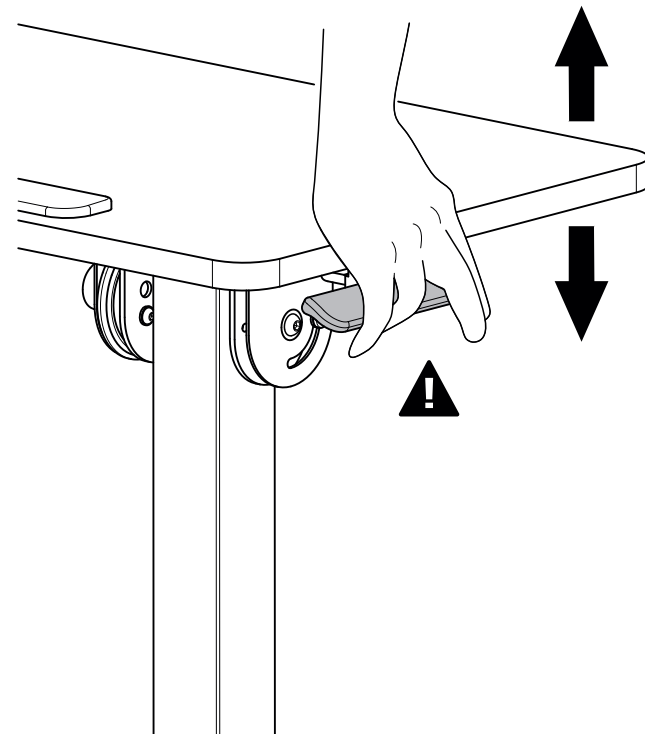
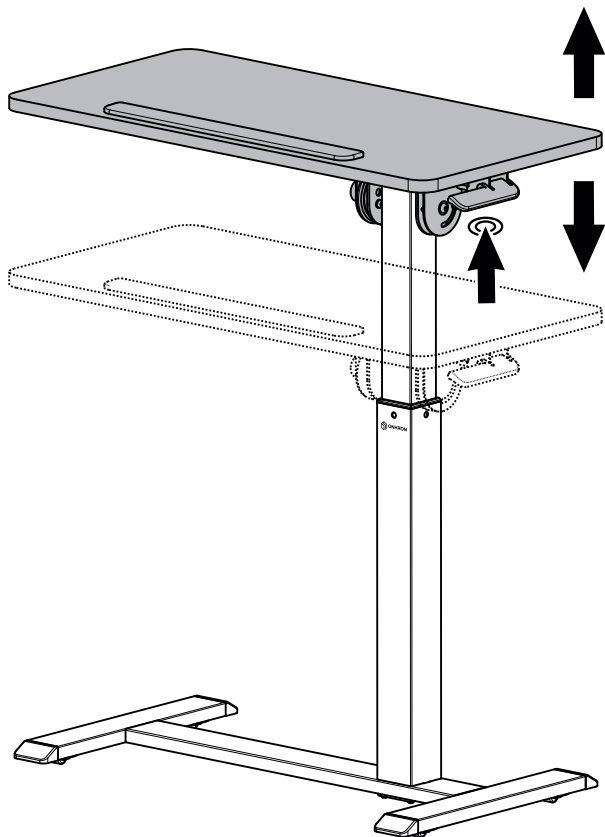


ATTENTION: Do not push the lever downward during adjustment!

6

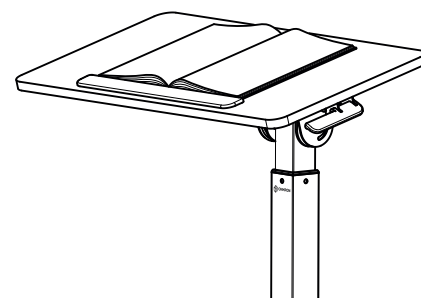
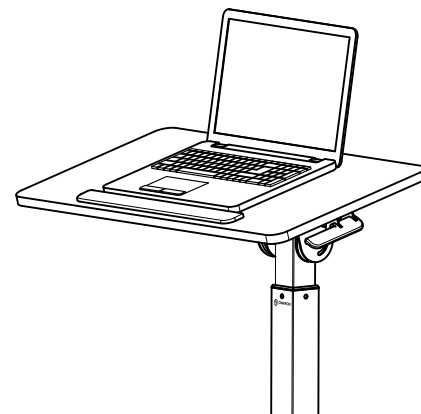
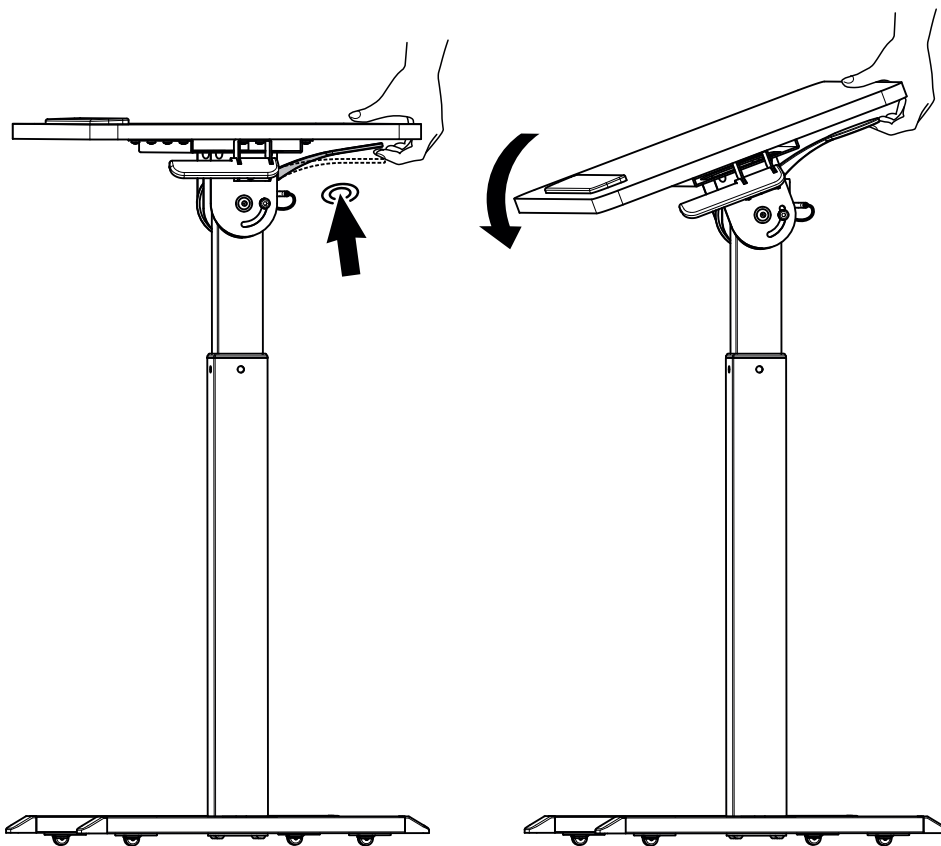


7 Height adjustment of the table



ATTENTION: Do not apply excessive force when pressing the lever!

8 Table tilt adjustment



ATTENTION:
Do not press the lever downward!

EN

OPERATING INSTRUCTIONS.

OPERATION AND STORAGE REQUIREMENTS:

- The air temperature during storage and operation should be from +5°C to +40°C.
- The relative humidity in the room should not exceed 80%. The room must be free of aggressive impurities (acid vapours, alkalis, other chemically active substances) which may cause corrosion.
- Direct sunlight exposure to the elements of the product is not allowed. Avoid dust, dirt, shock, moisture, fire and mechanical damage.
- It is not allowed to place the product closer than 1 m (3.2 ft) to heating elements, as well as near an open fire, in damp, unheated rooms.
- The product must be placed on a flat, horizontal surface with all the wheels in the locked position.
- When moving the product to another location, the wheels must be unlocked.
- It is forbidden to move the product by «dragging». It may cause mechanical damage.
- Do not allow children to unlock the wheels, as well as perform any other manipulations with the product. Do not allow children to play near the product.
- Do not push, pull or hang on the product with the TV as it may fall. Do not allow children to hang or swing the product with the TV. The product with TV installed may tip over and cause serious and even fatal injuries.
- Do not exert excessive force on the elements of the product, do not stand with your feet on the base of the product.
- If you notice any malfunction, you should immediately contact our customer service team.

TRANSPORT REGULATIONS:

- Recommended temperature range: from «-25°C» to «+40°C».
- Transportation of the product is allowed by any type of transport. The package should not be opened during transportation.
- After transporting the product at temperature below zero, it is necessary to keep the product in a room with acceptable conditions for at least two hours before the start of operation.

MAINTENANCE:

Dry or wet cleaning should be carried out using only neutral detergents. Avoid using abrasive detergents and sharp objects. Avoid moving on dusty, sandy surfaces and puddles.

DISPOSAL:

The product does not contain expensive and toxic materials, and can be disposed in the usual way.

WARRANTY:

The warranty period is 12 months from the date of purchase.

The manufacturer guarantees smooth operation of the product during the whole warranty period. The warranty service includes free repair or replacement of components that have failed through no fault of the consumer, if the product is operated according to the user manual.

WARNING:

Violation of these rules leads to acceleration of natural aging of the product material. Outdoor operation of the product also reduces its service life.

The manufacturer reserves the right to make any changes to its products without prior notice.

Learn more
www.onkron.us

20241128

