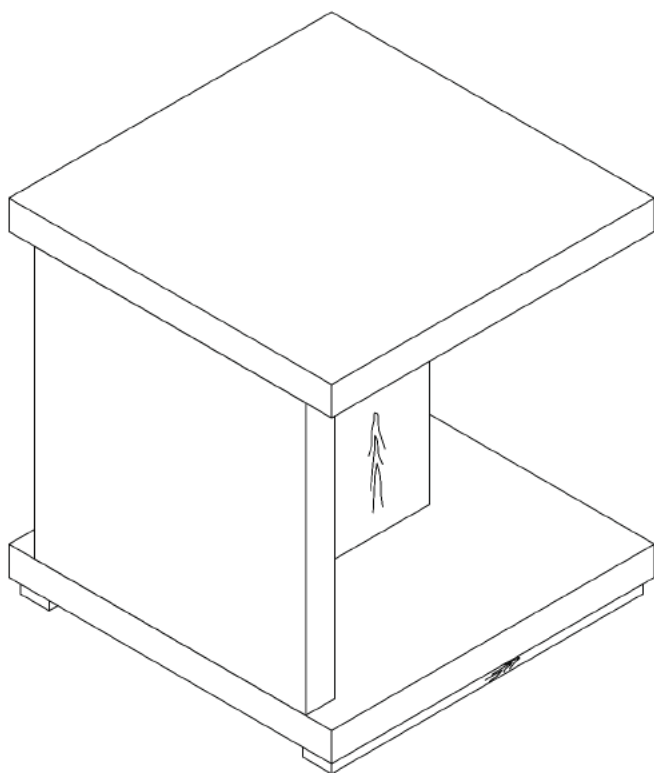
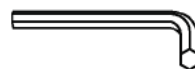


# ASSEMBLY INSTRUCTIONS

---



## TOOLS REQUIRED



Allen Wrench

(Included)



2 - Persons  
Recommended

## ASSEMBLY RATING



EASY ————— DIFFICULT

The Assembly Rating is a 5-point system showing the level of effort needed to assemble a specific product.



## **CHECK BEFORE STARTING**

### **Are you missing anything?**

Double-check all parts, hardware and accessories listed on Page 6 are accounted for.

### **Check out our Quick Tips!**

We recommend reviewing the pre-assembly handouts. Even experts need a refresher now and then!

### **Should we send any replacements?**

Are there any irregularities or flaws in the parts? We can send replacements!

### **Prep Time!**

Please review the assembly instructions and all diagrams prior to assembling. Arrange parts as recommended on Page 7 and group identical hardware together to make assembling easier.

# PRE ASSEMBLY INTRODUCTION

We understand building ready-to-assemble furniture can be a challenging experience for some. To help avoid confusion, we have provided some helpful tips that may speed up the process.



## Teamwork

ALWAYS have at least two people to help with transporting and assembling the product to avoid potential injury and/or damage.



## Suitable Location

Assembling near the area of the intended location is highly recommended.



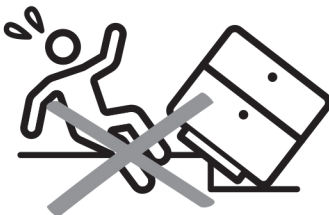
## Sufficient Space

Make sure you have enough space to move around during the assembly.



## Avoid Scratches

Use cardboard, blankets or a carpeted area while assembling furniture to prevent scratches.



## Flat Surface

Make sure the furniture rests on a flat and level surface with each leg evenly touching the floor.

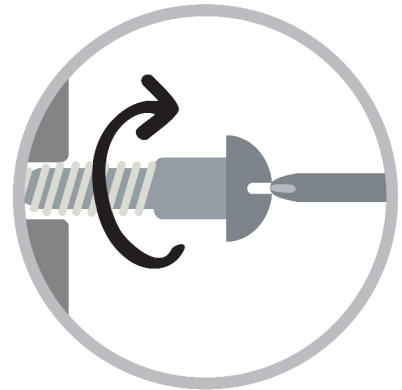
# ASSEMBLY AND CARE ADVICE



**FAILURE TO FOLLOW THE GUIDELINES BELOW MAY RESULT IN INJURY AND/OR PROPERTY DAMAGE.**



Position each part correctly and insert screws or bolts into their respective holes.



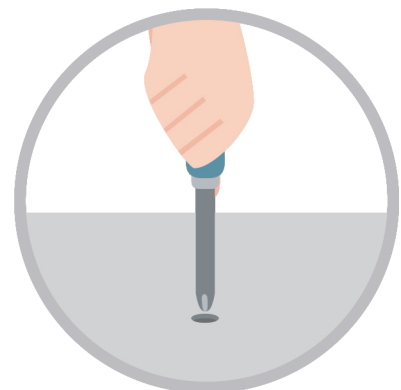
Turn clockwise to tighten and only tighten when step is completed or when instructed to do so.



Use the appropriate hand tools or power tools for assembly. Select steps, such as tightening screws and/or bolts, may require hand tools to avoid causing damage during assembly.



Save the instructions and store any supplied tools for later maintenance.



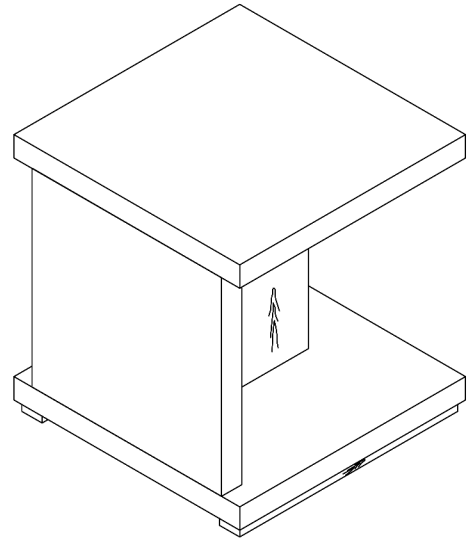
After two weeks, check and tighten any loose hardware and repeat again every six months thereafter.

**IT IS THE USER'S RESPONSIBILITY TO MAINTAIN THE FURNITURE. THE HARDWARE MAY LOOSEN OVER TIME AND MAY CAUSE THE FURNITURE TO BE WOBBLY AND UNABLE TO SUPPORT ITS INTENDED WEIGHT CAPACITY. THIS MAY LEAD TO COLLAPSE AND MAY CAUSE SERIOUS INJURY.**

# END TABLE

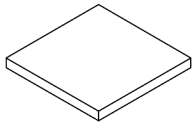


- Please keep instructions for future reference.
- Check the quantity and irregularity of parts and hardware before you start.



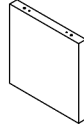
## PARTS

#1 1pc



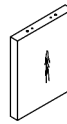
Wooden Top

#2 1pc



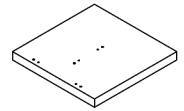
Post board-  
white

#3 1pc



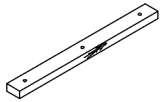
Post board-  
paper

#4 1pc



Bottom board

#5 2pcs



Supporting batten

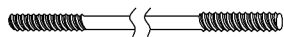
## HARDWARE

#A 6pcs



Bolt 1/4" X 1-5/8"

#B 4pcs



Rod 1/4"x21-5/8"

#C 4pcs



Washer

#D 4pcs



Nut M6

#E 8pcs



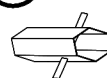
Wood Dowel  
Ø6x30

#F 4pcs



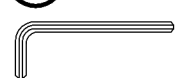
Adjustable Foot  
M6 x 16

#G 1pc



Socket Wrench M6

#H 1pc

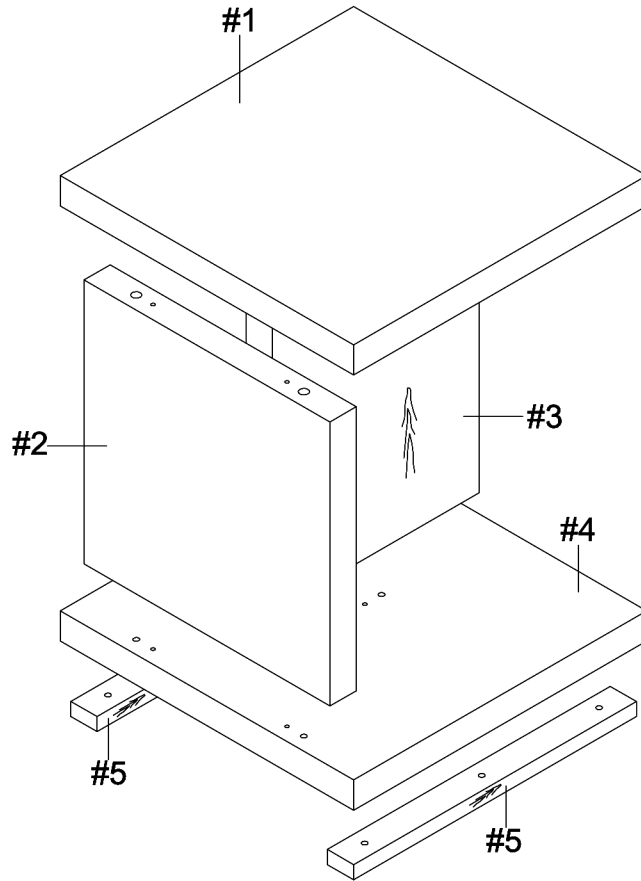


Allen Wrench M4

# ASSEMBLY INSTRUCTIONS

1

## Exploded View



2

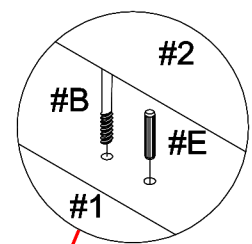
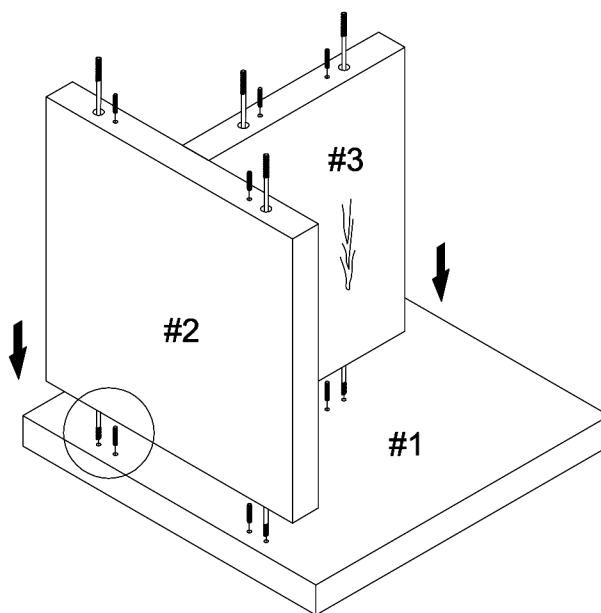
Part #1 x 1pc

Part #2 x 1pc

Part #3 x 1pc

Hardware #B x 4pcs

Hardware #E x 8pcs

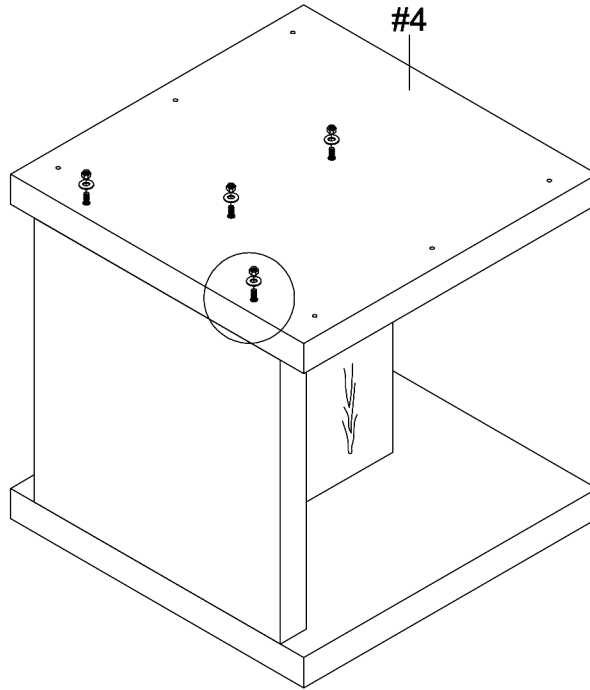


Attach dowels (#E) and rods (#B) to top (#1), then align post boards (#2,3) to top (#1). Attach dowels (#E) to post boards (#2,3).

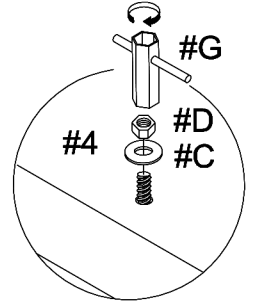
# ASSEMBLY INSTRUCTIONS

## 3

- Part #2 x 1pc
- Part #3 x 1pc
- Part #4 x 1pc
- Hardware #C x 4pcs
- Hardware #D x 4pcs

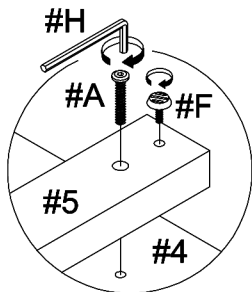
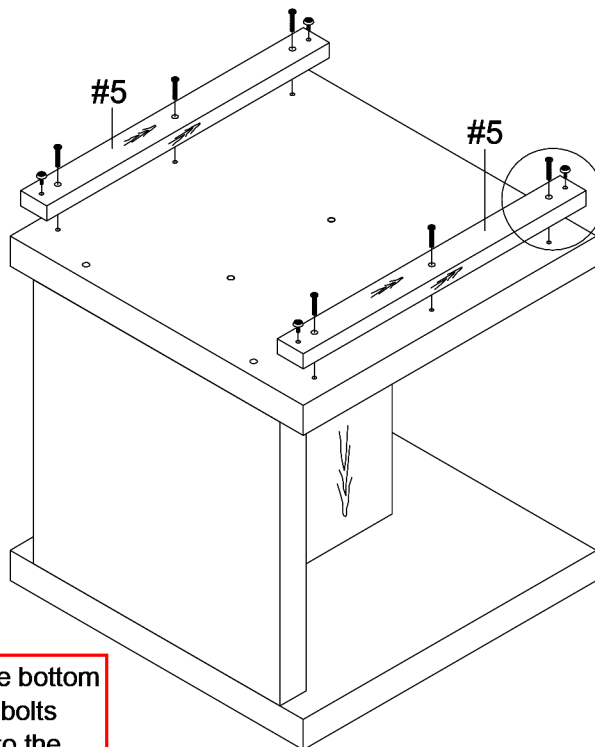


Align bottom board (#4) to the post boards (#2,3), then secure by using hex nuts (#D) with washers (#C).



## 4

- Part #4 x 1pc
- Part #5 x 2pcs
- Hardware #A x 6pcs
- Hardware #F x 4pcs



Align supporting batten (#5) to the bottom board (#4), then secure by using bolts (#A). Attach adjustable feet (#F) to the supporting batten (#5), then adjust feet based off of ground level.

## ASSEMBLY COMPLETED



Please ensure the furniture rests on an even and flat surface. If the product wobbles or feels loose, double-check all bolts and/or screws are properly tightened and secured.



### Keep this handy!

Please retain this instruction manual and any order-related information for future reference.