





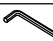


# INSTRUCTION MANUAL

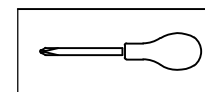
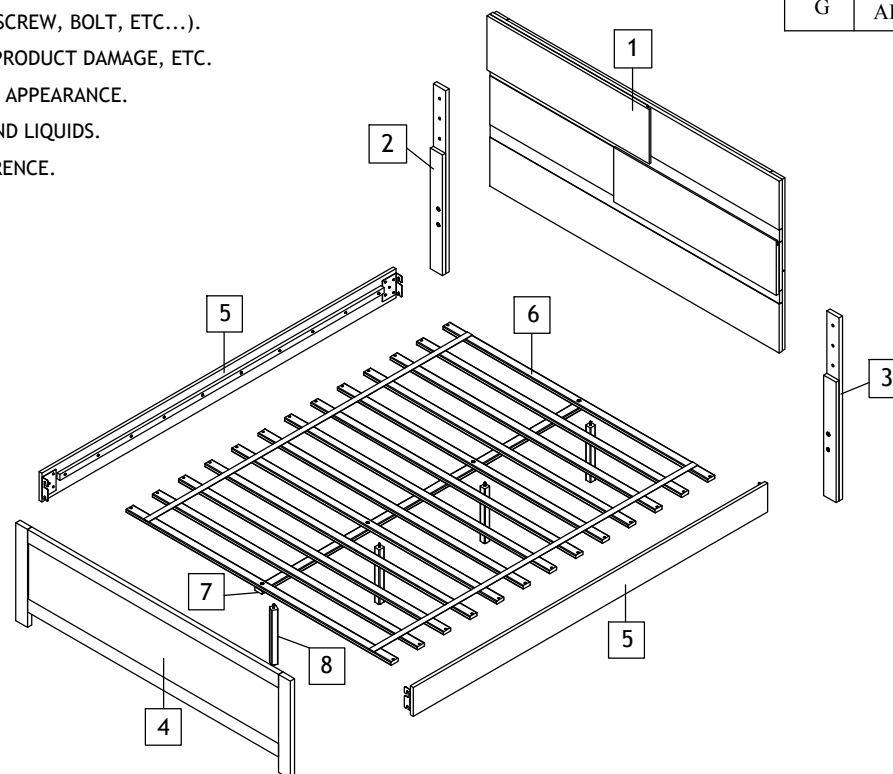
PLEASE SAVE THIS MANUAL FOR FUTURE REFERENCE

## PRODUCT NAME : PANEL QUEEN BED HEADBOARD AND FOOTBOARD SET WITH LIGHTS

### PRODUCT CARE INFORMATION

1. BEFORE ASSEMBLY, PLEASE DETERMINE THE LOCATION OF THE PRODUCT.
2. PLEASE ENSURE ALL PARTS AND HARDWARE ARE INCLUDED.
3. ALL ASSEMBLY WORK SHOULD PERFORM ON A SOFT SURFACE TO PREVENT DAMAGE.
4. FOLLOW THE ASSEMBLY STEPS, DO NOT SKIP ANY STEP.
5. WHEN MOVING THE PRODUCT, LIFT IT CAREFULLY WITH AT LEAST TWO PEOPLE AND CARRY IT TO THE NEW LOCATION.
6. NEVER PUSH, DRAG, OR PULL YOUR PRODUCT.
7. PERIODICALLY CHECK THAT ALL THE CONNECTIONS ARE TIGHT. TIGHTEN (SCREW, BOLT, ETC...). LOOSE CONNECTIONS AS NEEDED. LOOSE CONNECTIONS CAN CAUSE INJURY, PRODUCT DAMAGE, ETC.
8. WIPE THE PRODUCT WITH A CLEAN, DRY CLOTH WEEKLY TO MAINTAIN THE APPEARANCE.
9. TO PREVENT DAMAGE, AVOID DIRECT CONTACT BETWEEN THE PRODUCT AND LIQUIDS.
10. KEEP THIS PRODUCT CARE & ASSEMBLY INSTRUCTIONS FOR FUTURE REFERENCE.

NO.	PART		QTY
A	JCBB SCREW (M8 x 35mm)		6
B	JCBB SCREW (M8 x 20mm)		8
C	SPRING WASHER (M8)		6
D	FLAT WASHER (M8 x 18mm)		14
E	ALLEN KEY (M5)		1
F	PANHEAD SCREW (M4 x 30mm)		26
G	ADAPTER		1



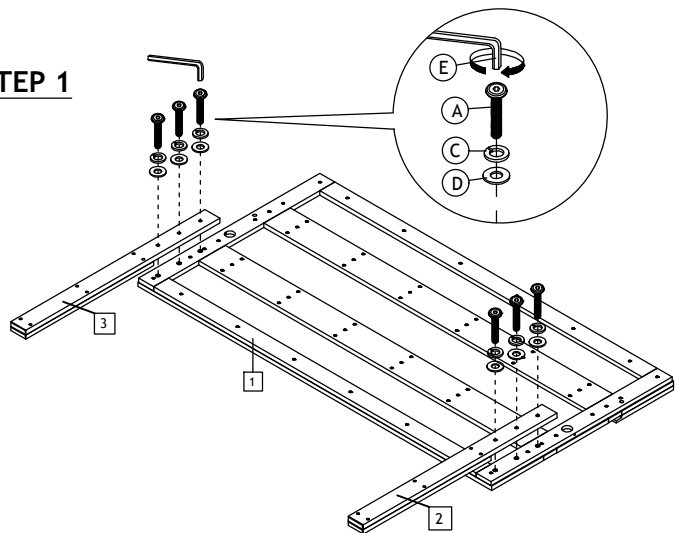
\*TOOLS ABOVE ARE NOT PROVIDED

# INSTRUCTION MANUAL

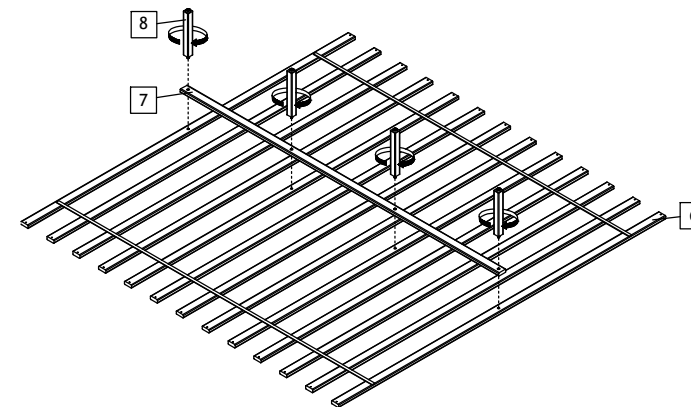
PLEASE SAVE THIS MANUAL FOR FUTURE REFERENCE

PRODUCT NAME : PANEL QUEEN BED HEADBOARD AND FOOTBOARD SET WITH LIGHTS

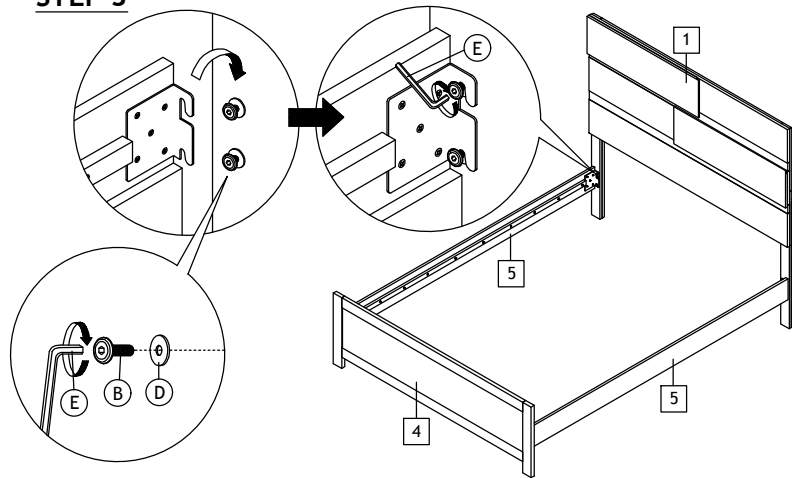
## STEP 1



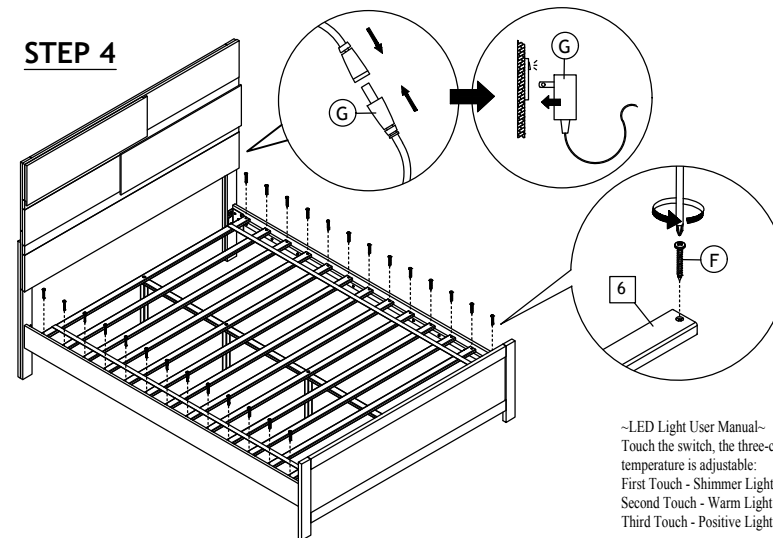
## STEP 2



## STEP 3



## STEP 4



~LED Light User Manual~  
Touch the switch, the three-color  
temperature is adjustable:  
First Touch - Shimmer Light  
Second Touch - Warm Light  
Third Touch - Positive Light