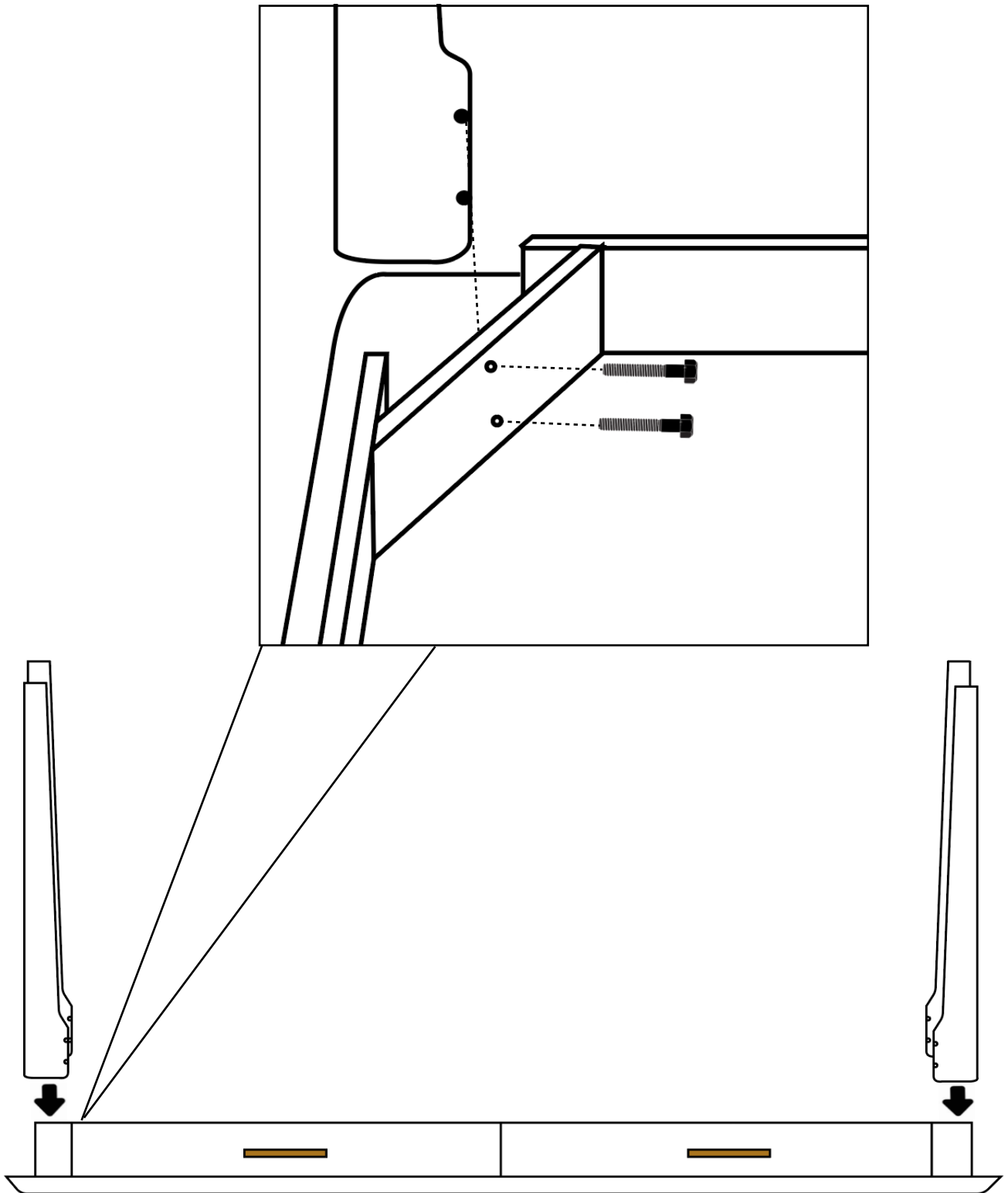


Installation guide



Disassemble the table top and legs, align the legs with the four corners according to the position in the picture, and fasten them with screws