

# CHERY

— L I F E —

Plastic Storage Sheds  
10\*7ft



Thank you for choosing us!

Please let us know if you have any concerns.

CHERY INDUSTRIAL  
www.cherylif.com  
T: 888-473-8388  
E: info@cherylif.com

Scan for installation video



**The product comes in three boxes. Please install in a leveled place. Make sure bolt the expansion screws into the ground to prevent the wind from collapsing.**



1. Please check the quantity of all parts before installation (refer to the Parts Lists) and the appearance of the products. Make sure the product is correct before installation.
2. Protect spare parts carefully in case any losing, scratch or damage occurred during installation. Manufacturer and seller expressly disclaim any and all liability for personal injury, property damage or loss, whether direct, indirect, or incidental, resulting from the incorrect attachment, improper use, inadequate maintenance, unapproved modification, or **neglect** of this product.

## CARE AND SAFETY GUIDELINES

- The shed is intended for storage purposes only. It is not designed for habitation.
- It is strongly recommended to secure the shed to an immovable object or anchor to the ground by drilling holes in the shed floor (at the pre-marked locations) and inserting proper screws into the ground (screws are not included).
- Do not attempt assembly on windy or cold days.
- Periodically check the shed to ensure that it is stable and that the site is level.
- Be careful when handling parts with steel edges.
- When assembling or handling the shed, use only those tools listed in the user manual.
- Always wear work gloves, safety goggles and long sleeves when assembling or performing any maintenance on your shed.
- Avoid using a lawnmower or mechanical scythe near the shed.
- Wear safety goggles and always follow the manufacturer's instructions when using power tools.
- Wash the shed with a garden hose or a mild detergent solution. Do not use a metal brush or abrasive cleaners, including degreasers and oil- or acetone-based cleaning materials, as these may stain or damage the shed.
- Do not store hot items, such as recently used grills and blowtorches, and volatile chemicals in the shed.
- Avoid placing heavy items against the walls, as this may cause distortion.
- Avoid placing sharp items directly on floor which may cause broken.
- Keep the roof clear of accumulated snow and leaves. Large amounts of snow on the roof can damage the shed, making it unsafe to enter.
- Wind direction is an important factor to consider when determining the location of the shed. Reduce exposure to the wind, in general, and of the door side in particular. Keep doors closed and locked when the shed is not in use to prevent wind damage.
- Do not stand on the roof.
- Consult your local authorities to check if permits are required to erect the shed.



## Safety Precautions

We recommend **two adults** to complete the installation.

Two adults installed together will make the installation process easier and safer. The gloves must be carried to prevent hand cuts during installation.

Take care when using power tools near water the use of a residual current device (RCD) is advised.

Please use the electric driver carefully during screwing to prevent the screw from slipping and hurting your hand.

Be careful not to fall when installing the roof. Please steady the ladder and make sure the product placed on a flat ground.

**PLEASE KEEP THIS INSTRUCTION FOR FUTURE REFERENCE.**

## Installation precautions

### 1. Site preparation

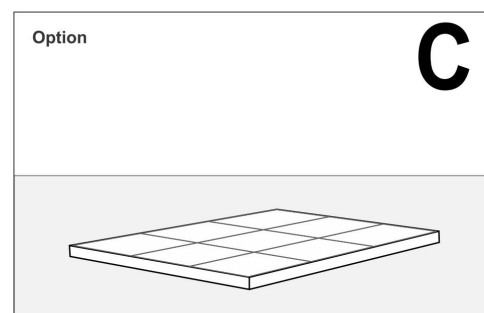
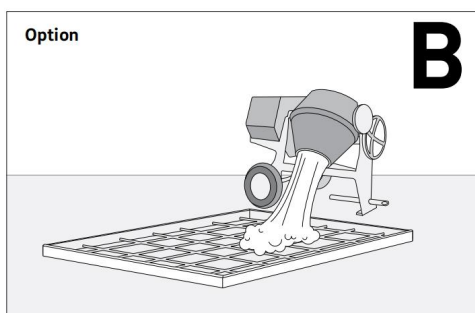
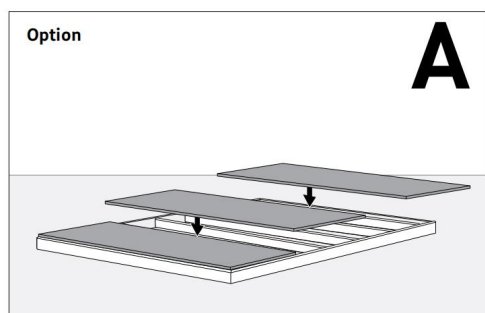
#### Leveling the ground.

Please place the product on a flat ground to prevent leaning and collapse. If the ground is uneven, the door may can't be closed.



### 2. Set up the base

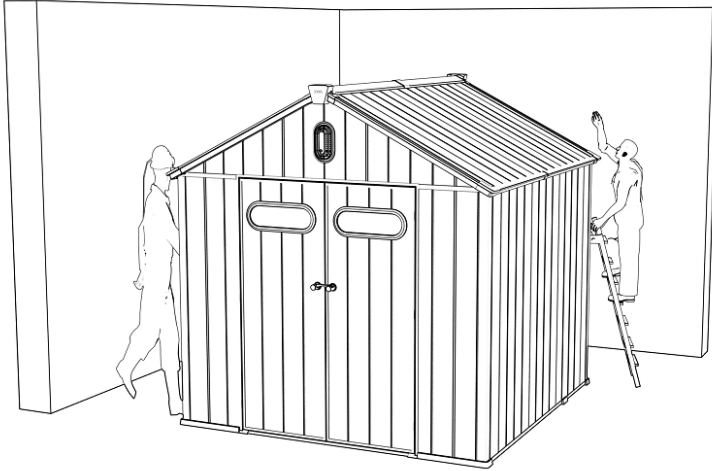
It is recommended to build a wooden base or concrete base.



# ASSEMBLY INSTRUCTIONS

## 3. Leave enough space

Operating space shall be reserved for external installation work.



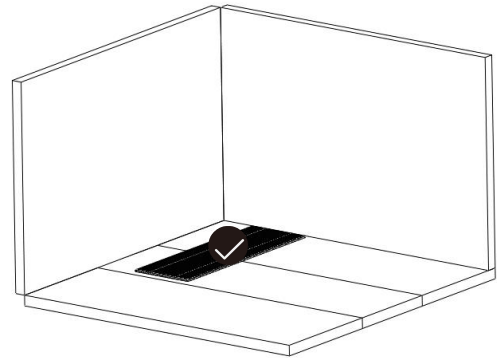
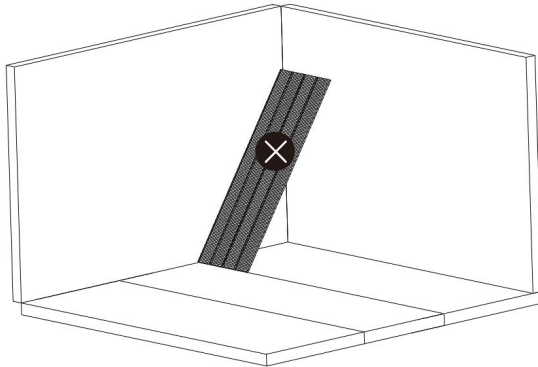
## 4. Tools required for installation

(**Note:** Installation requires two people to work together.)



## 5. Parts are placed after unpacking

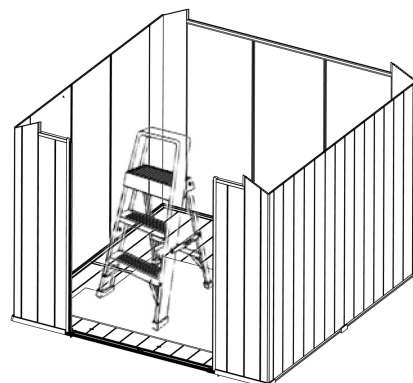
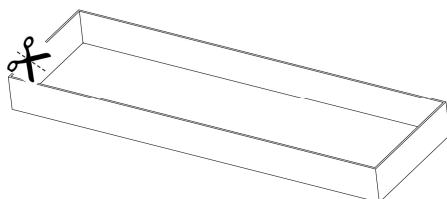
Don't lean the panels to avoid distortion.



## 6. Protect The Floor

Disassemble the packaging cardboard box, unfold it and lay it on the floor to protect.

**Directly use the ladder may cause floor damage.**



# I . 【10x7ft Product Introduction】



**Model:** DBB\_SSP\_KC\_SP05\_1007DB  
Intelligent Plastic Storage Shed

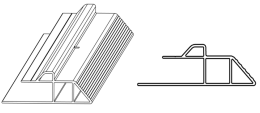
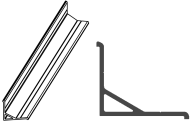
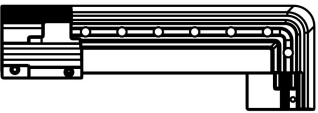
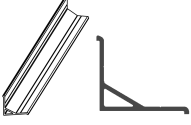

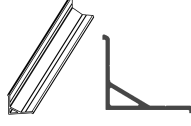
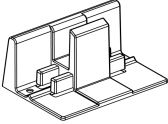
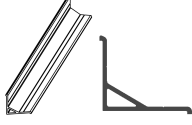
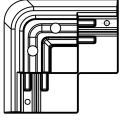
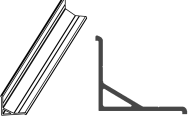
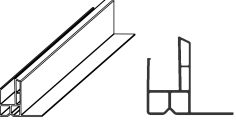
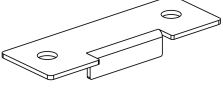
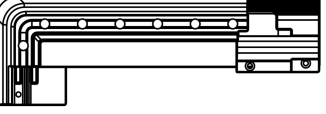
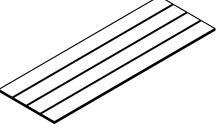
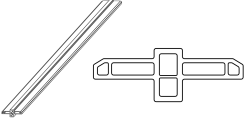
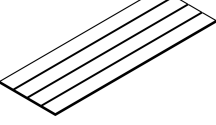
**Size:** 120.3\*81.3\*88.9 in  
**Color:** Grey

**Base size:** 117\*81.8 in  
**Area covered:** 66.4 saquare feet

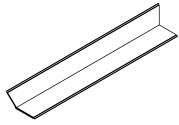

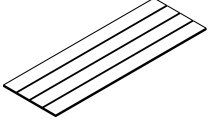
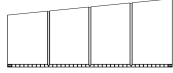
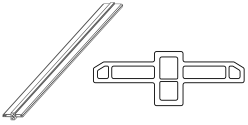
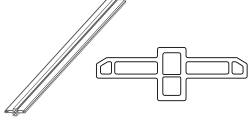
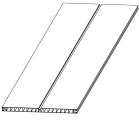

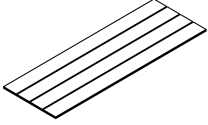
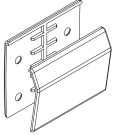
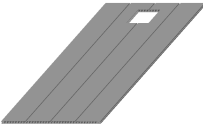
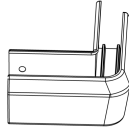
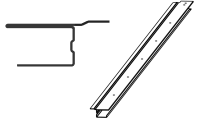

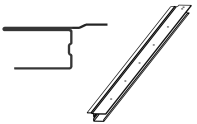

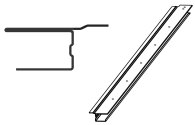
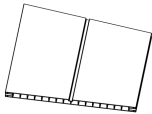
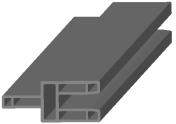
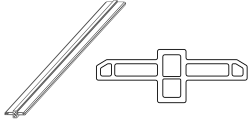
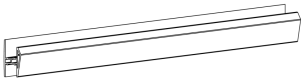
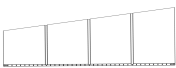
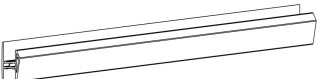
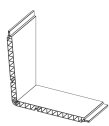
【 Plastic Storage Shed 10x7ft】

## II .Accessory & Parts (1)



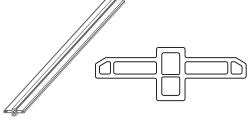


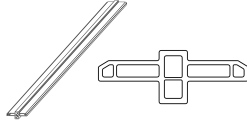
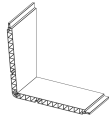
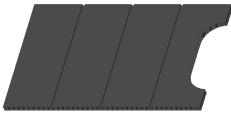
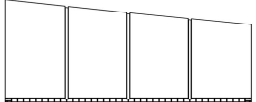

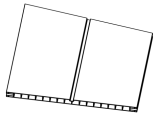
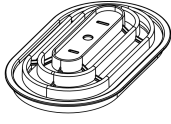
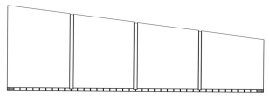

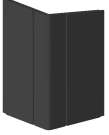
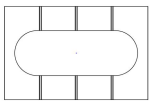
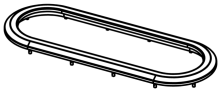

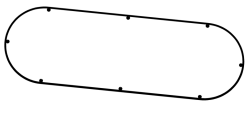
### FLOOR

Item no.	Reference Image	Qty.	Item no.	Reference Image	Qty.
F.1(kc)		X1	F.11(kp)		X2
KCFFB.L10		X1	F.12(kp)		X1
F.3(kp)		X2	F.13(kp)		X1
KCFBC		X1	F.14(kp)		X1
KCFRC		X2	F.15(kp)		X1
F.6(kc)		X2	F.19(kc)		X1
KCFFB.R10		X1			
F.8(kp)		X4			
F.9(kp)		X4			
F.10(kp)		X1			

# WALL

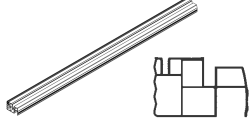


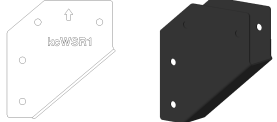
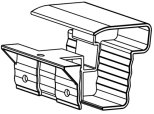
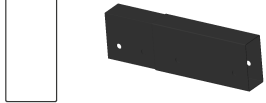
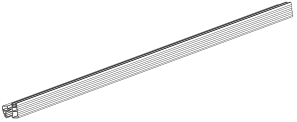
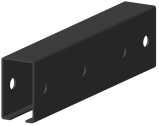
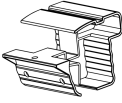
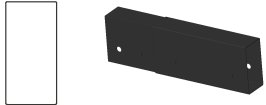
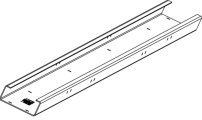



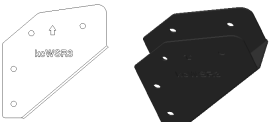


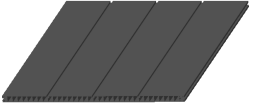
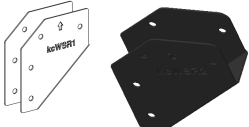

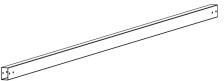
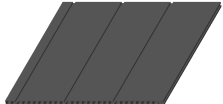
Item no.	Reference Image	Qty.	Item no.	Reference Image	Qty.
W.1(kp)		X4	W.16(kp)		X1
W.2(kp)		X6	W.17(kp)		X1
W.3(kp)		X7	W.18(kp)		X2
W.4(kp)		X2	HD.1(kc)		X2
W.5(kp)		X2	KCSHC2		X2
W.6(kp)		X2	KCPCHC		X4
W.8(kc)		X1	VNR4.OUT		X2
W.9(kc)		X1	VNR4.IN		X2
W.10(kp)		X1	W.19(kp)		X1
W.11(kp)		X1	W.20(kp)		X2
W.12(kp)		X4	W.21(kp)		X1
W.15(kp)		X2	W.22(kp)		X1

# WALL

Item no.	Reference Image	Qty.	Item no.	Reference Image	Qty.
W.23(kp)		X2	Rubber sealing stripe 2mm*12mm		X2
W.24(kp)		X3	Rubber sealing stripe 2mm*5mm		X2
W.25(kp)		X2	W.32(kp)		X2
W.26(kp)		X1	W.33(kp)		X2
W.27(kp)		X1	W.34(kp)		X2
W.28(kp)		X1	VNR2.OUT		X1
W.29(kp)		X1	VNR2.IN		X1
W.30(kp)		X1			
W.31(kp)		X2			
WIR2.OUT		X2			
WIR2.IN		X2			
WIR2.PC		X2			

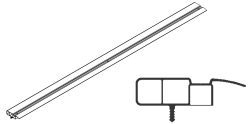
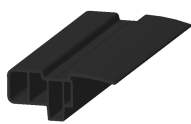
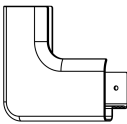
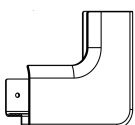
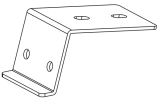

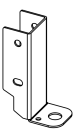
## II .Accessory & Parts (2)

### ROOF

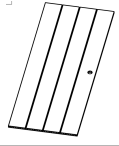
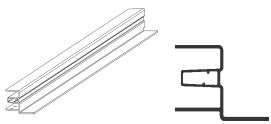
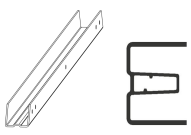
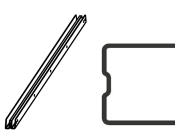

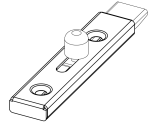


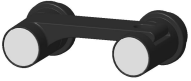
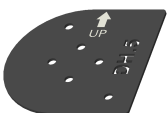
Item no.	Reference Image	Qty.	Item no.	Reference Image	Qty.
R.1(kp)		X2	FR.7(kp)		X2
R.2(kp)		X2	FR.8(kp)		X4
KCRBLC2		X1	FR.9(kp)		X2
R.4(kp)		X2	FR.10(kp)		X4
KCRBLC3		X1	FR.11(kp)		X4
FR.1(kp)		X2	FR.12(kp)		X2
FR.2(kp)		X2	FR.13(kp)		X2
FR.3(kp)		X2	HD.2(kp)		X4
FR.4(kp)		X2	R.6(kp)		X4
FR.5(kp)		X2	R.7(kp)		X4
FR.6(kp)		X2	R.8(kp)		X1

## II .Accessory & Parts (2)

### ROOF

Item no.	Reference Image	Qty.
R.9(kp)		X2
R.10(kp)		X2
KCRBC.L		X2
KCRBC.R		X2
HD.3(kp)		X8
HD.4(kp)		X8
FR.14(kc)		X8

### DOOR

Item no.	Reference Image	Qty.
D.1(kc6)		X2
D.2(kc)		X1
D.3(kc)		X3
D.4(kc)		X4
HD.7(kc)		X4
HD.8(kc)		X2
HD.9(kc)		X1
HD.10(kc)		X1
DH		X1
DH.5		X2



# ASSEMBLY INSTRUCTIONS

1



kcFRC  
2pcs



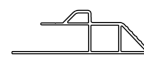
F.3(kp)  
2pcs



kcFFB.L10  
1pcs



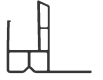
kcFFB.R10  
1pcs



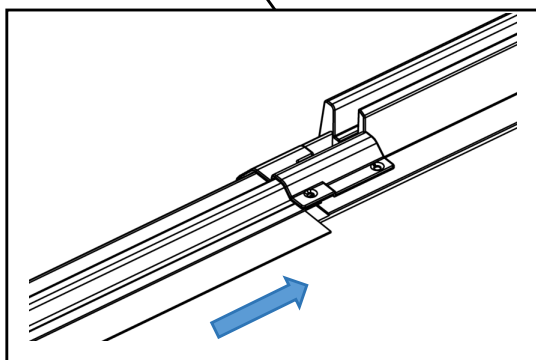
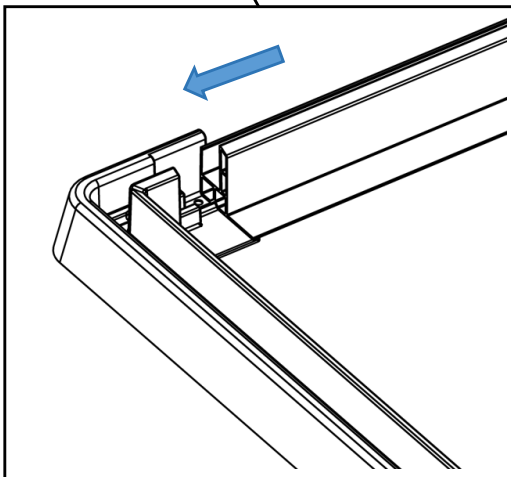
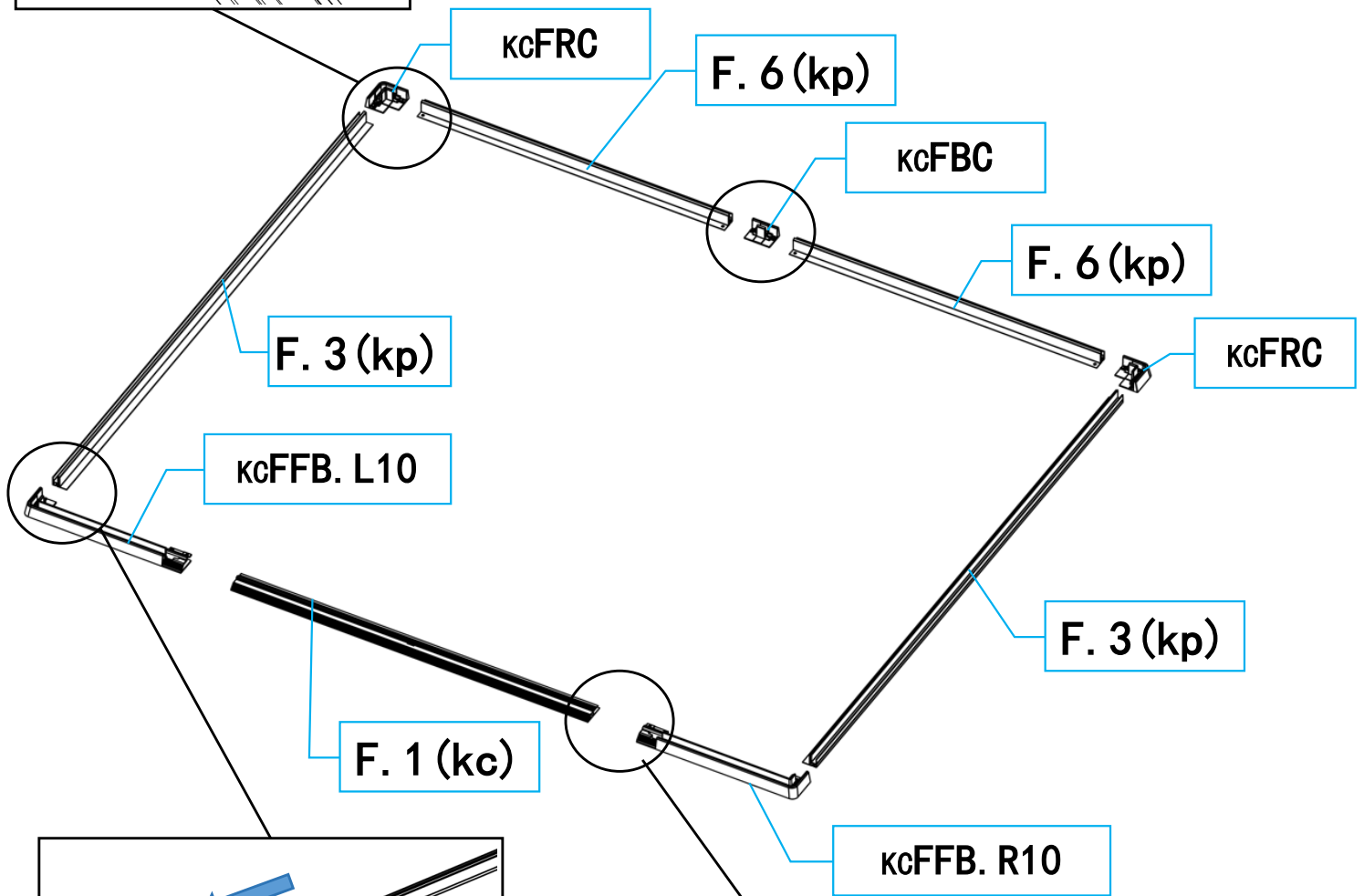
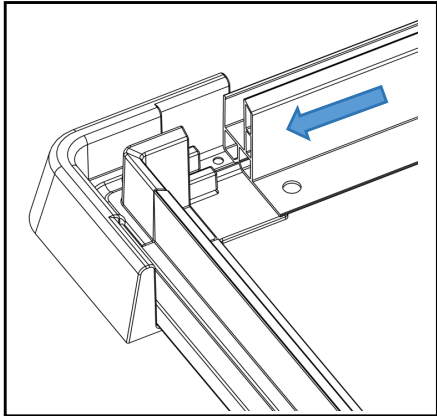
F.1(kc)  
1pcs



kcFBC  
1pcs

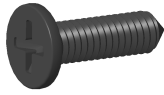


F.6(kp)  
2pcs



# ASSEMBLY INSTRUCTIONS

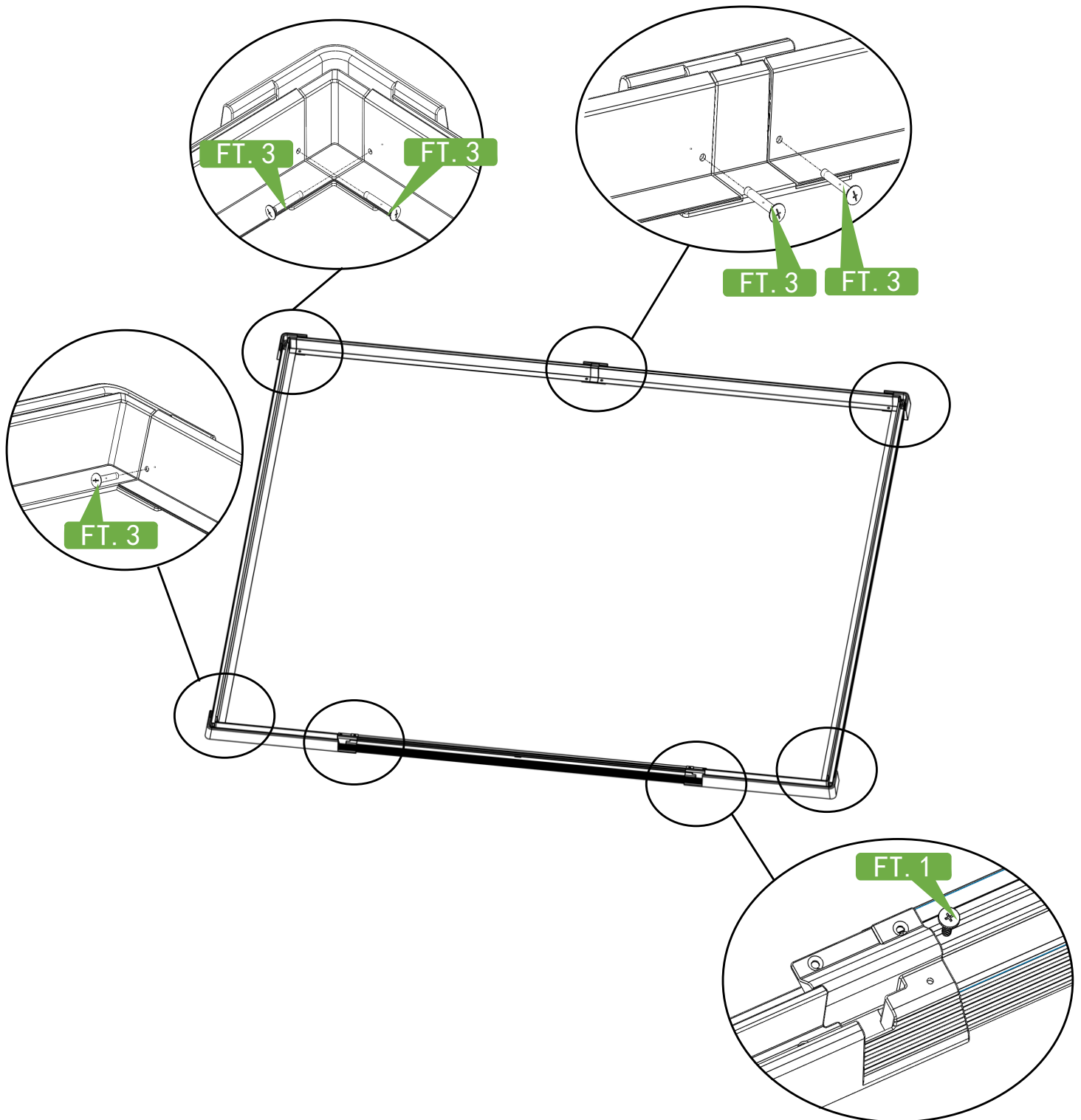
2



FT.1  
4pcs

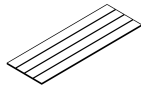


FT.3  
8pcs

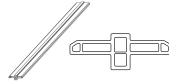


# ASSEMBLY INSTRUCTIONS

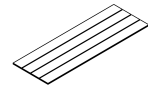
3



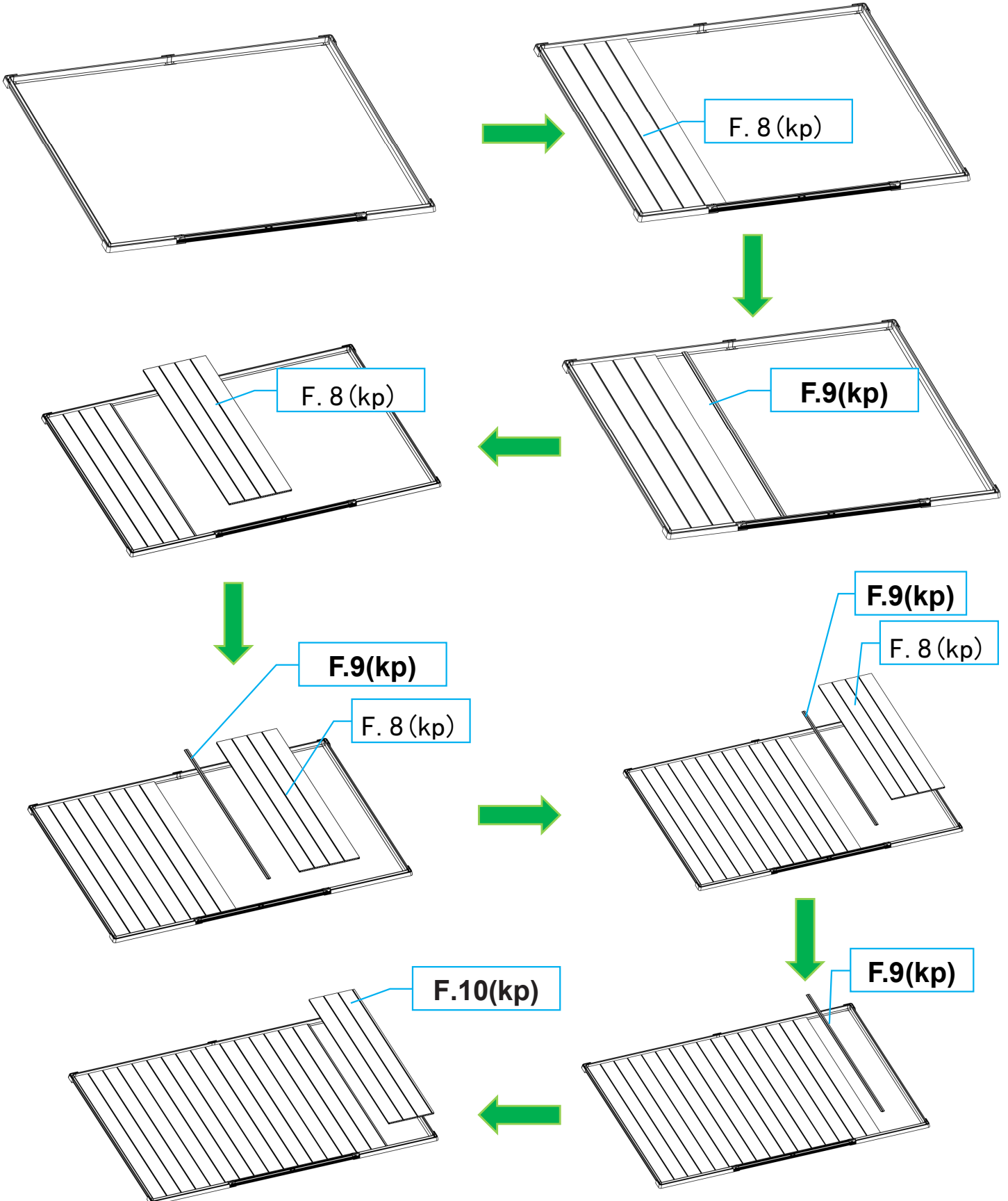
F.8(kp)  
4pcs



F.9(kp)  
4pcs



F.10(kp)  
1pcs



# ASSEMBLY INSTRUCTIONS

4

F.12(kp)  
1pcs

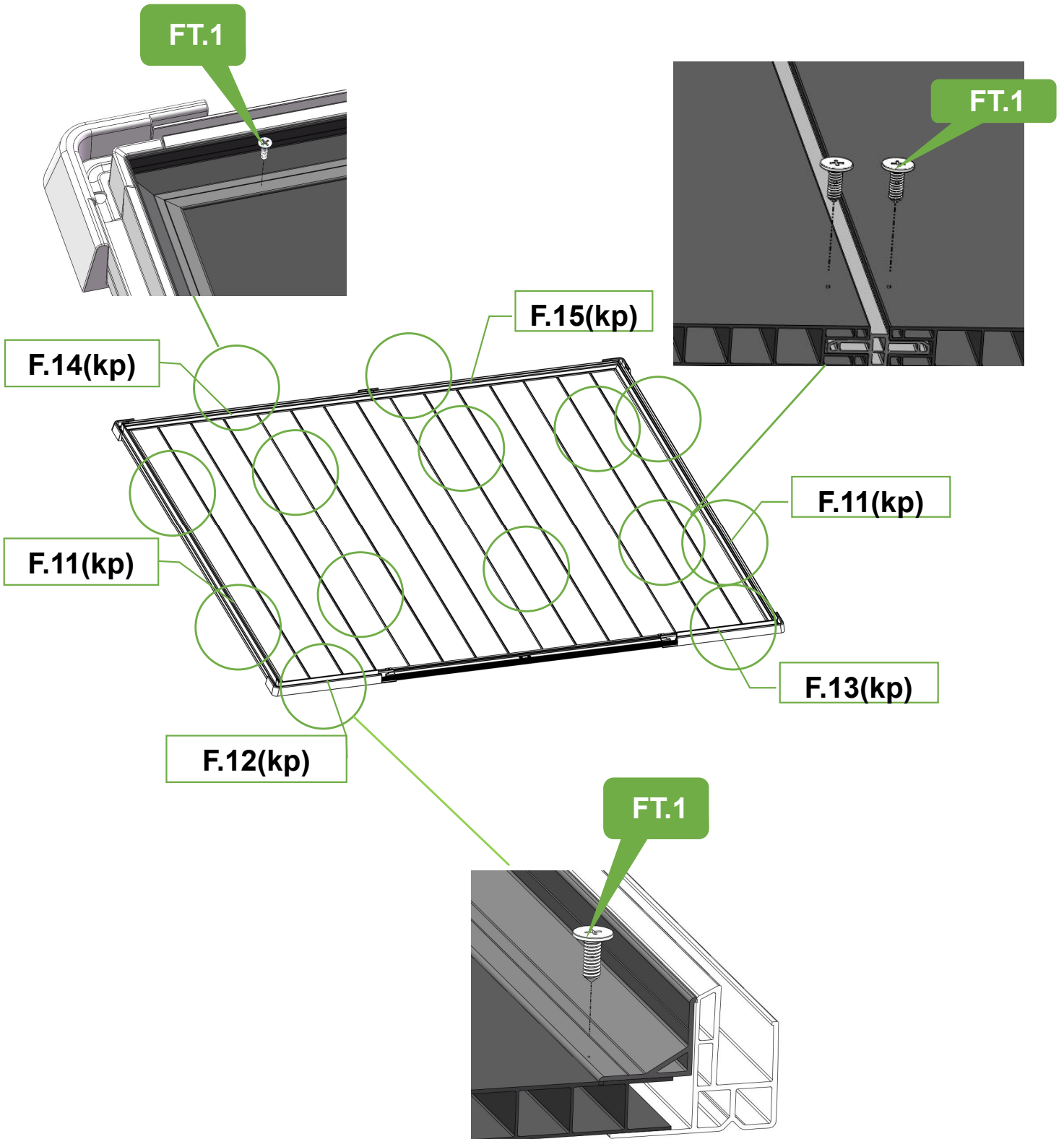
F.13(kp)  
1pcs

F.11(kp)  
2pcs

F.14(kp)  
1pcs

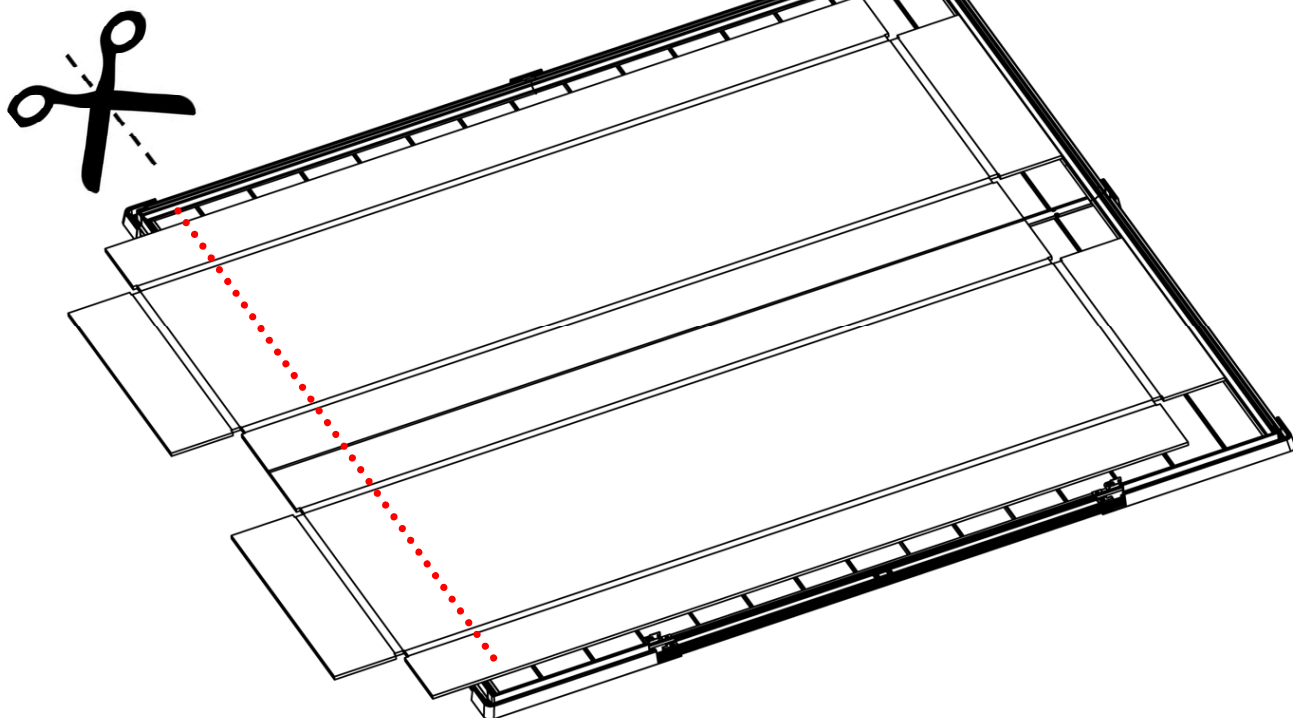
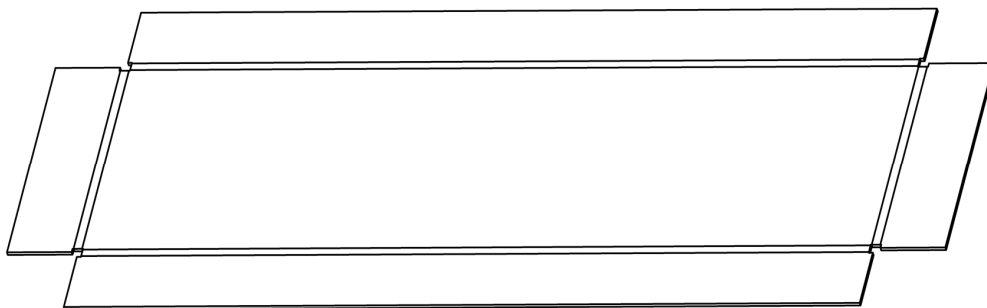
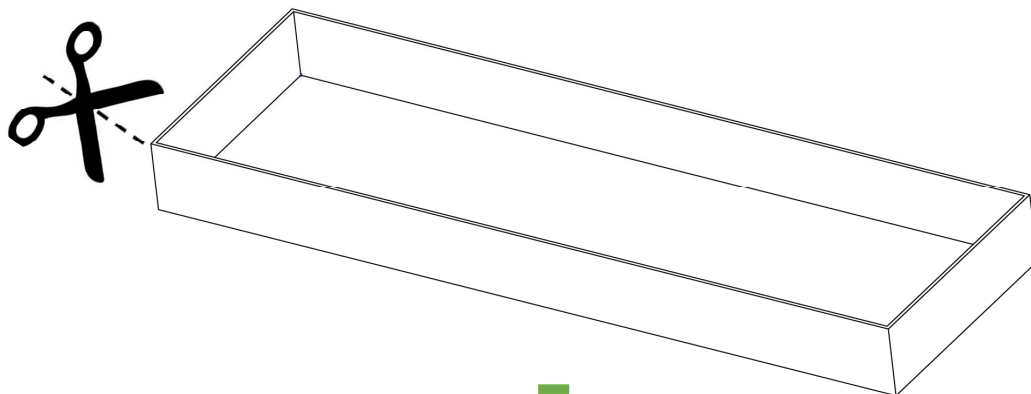
F.15(kp)  
1pcs

FT.1  
28pcs

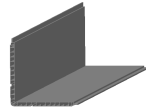


5

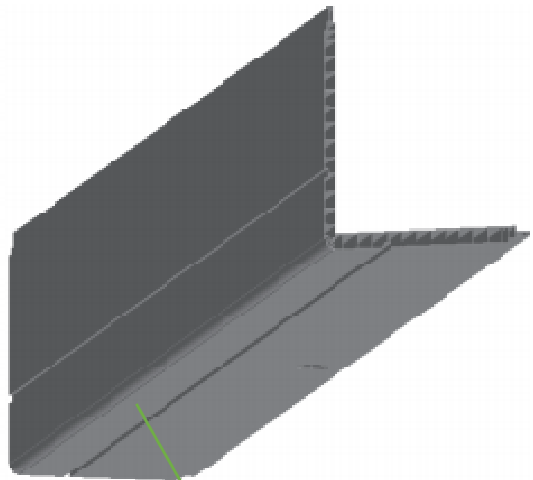
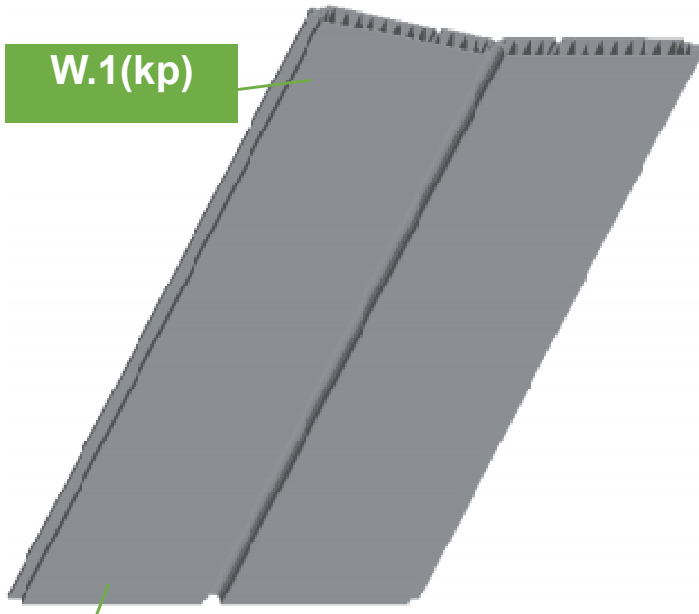
Disassemble the packaging cardboard box, unfold it and lay it on the floor to protect the floor.



6



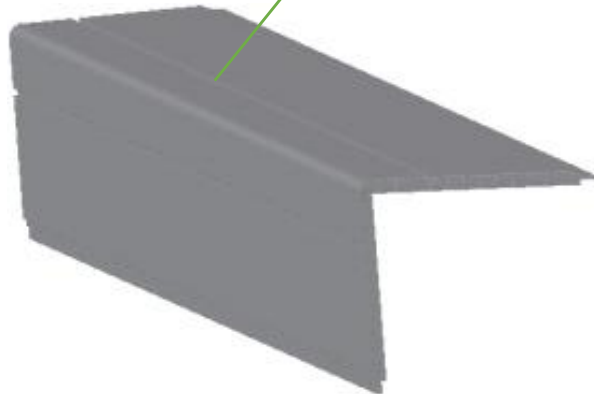
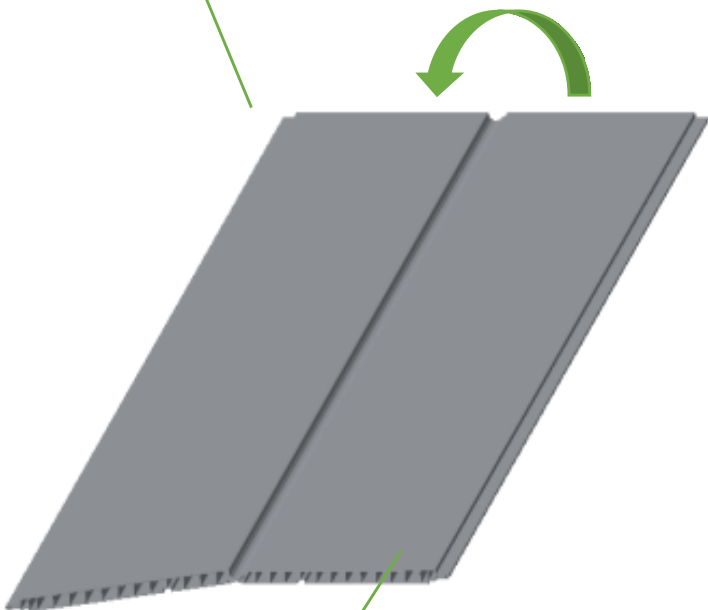
W.1(kp)  
4pcs



x2

Inside without wooden surface

Wooden surface outside



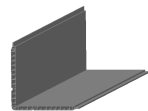
x2

W.1(kp)

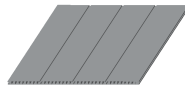
Corner Panel

# ASSEMBLY INSTRUCTIONS

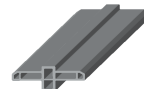
7



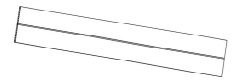
W.1(kp)  
1pcs



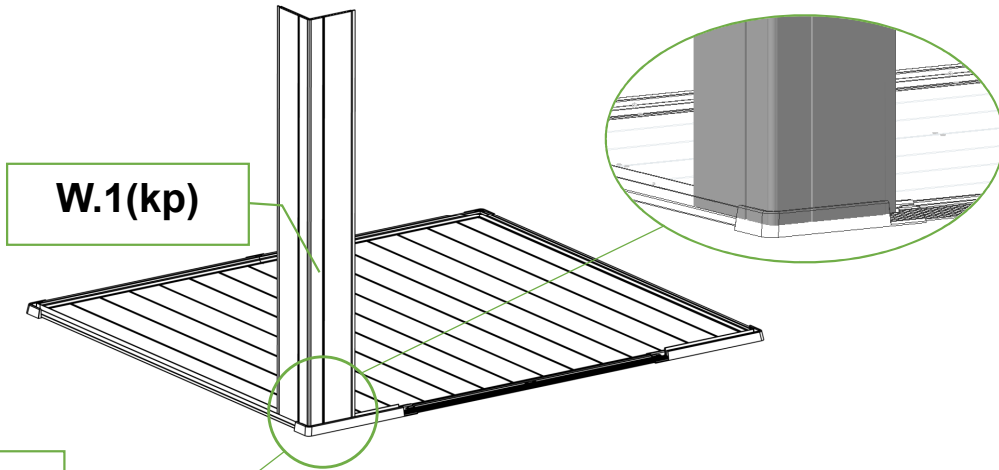
W.2(kp)  
1pcs



W.3(kp)  
1pcs

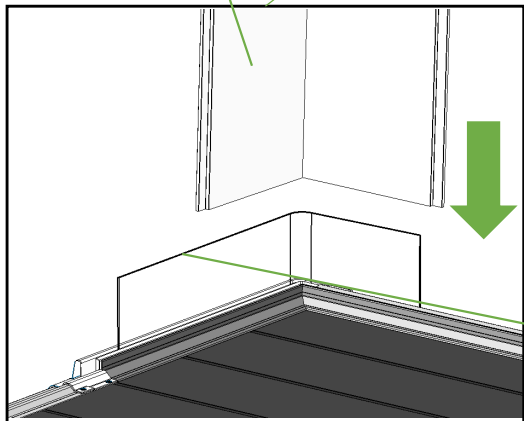


W.4(kp)  
1pcs

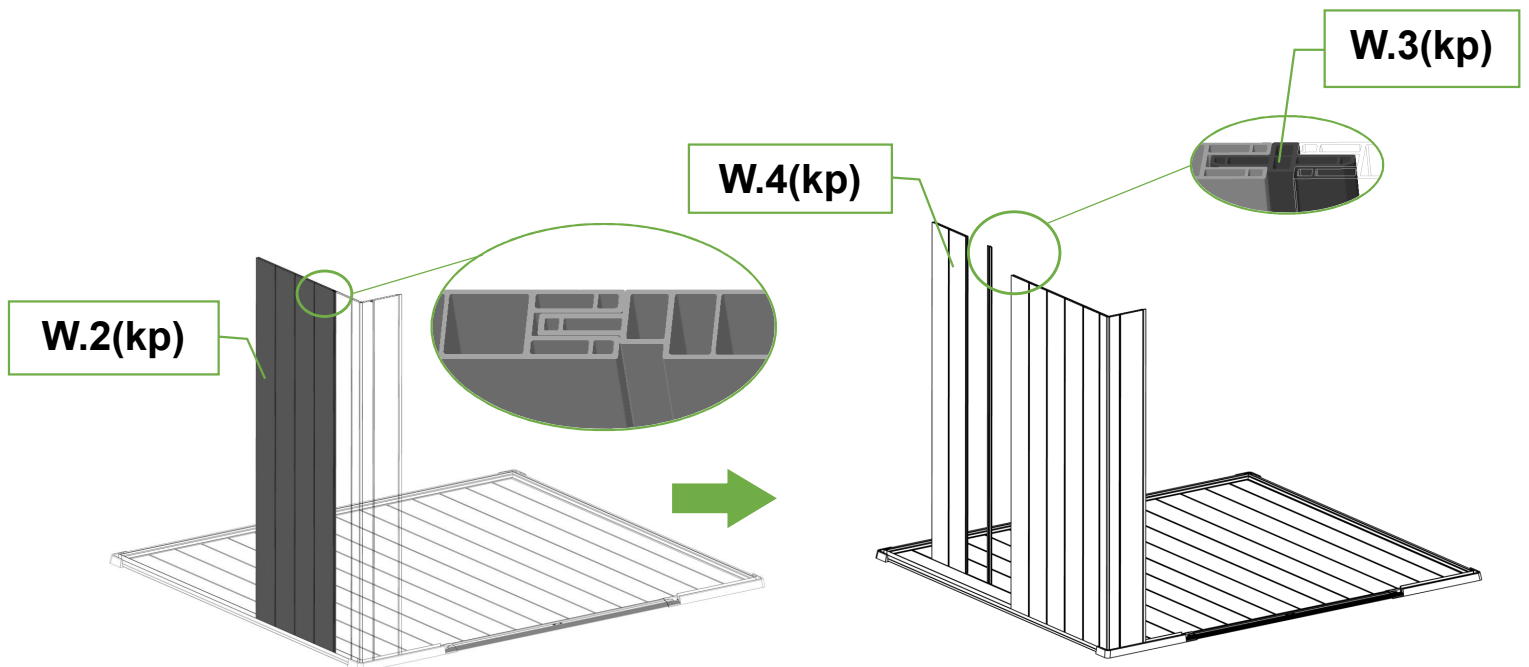


W.1(kp)

W.1(kc6)



Install the guide piece which help corner panel insert easily.



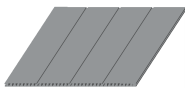
W.2(kp)

W.4(kp)

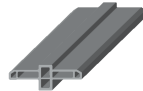
W.3(kp)

# ASSEMBLY INSTRUCTIONS

8



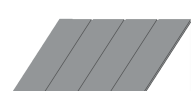
W.2(kp)  
3pcs



W.3(kp)  
4pcs

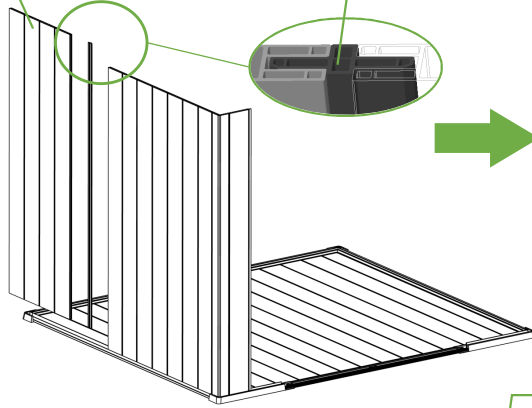


W.1(kp)  
1pcs

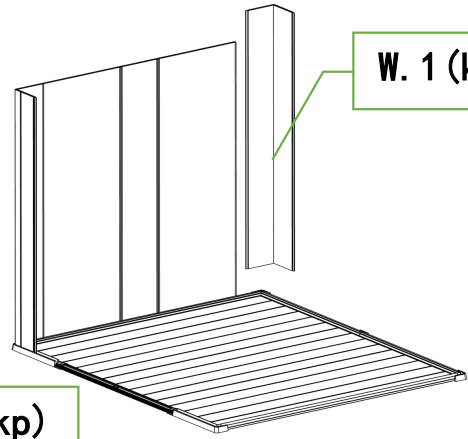
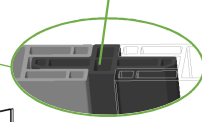


W.5(kp)  
2pcs

W. 2 (kp)

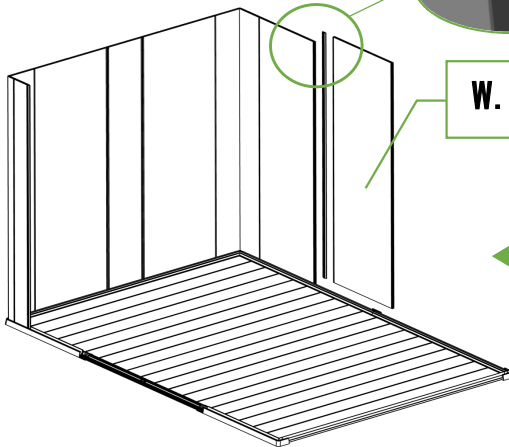
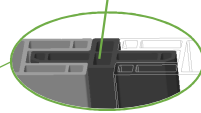


W. 3 (kp)



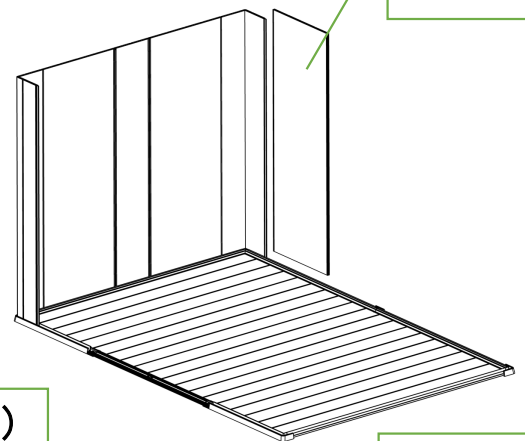
W. 1 (kp)

W. 3 (kp)

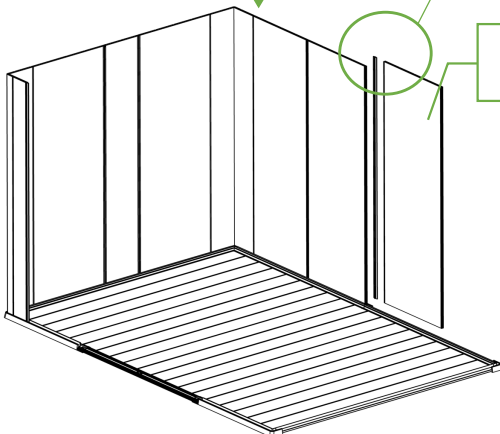
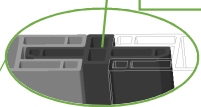


W. 2 (kp)

W. 5 (kp)

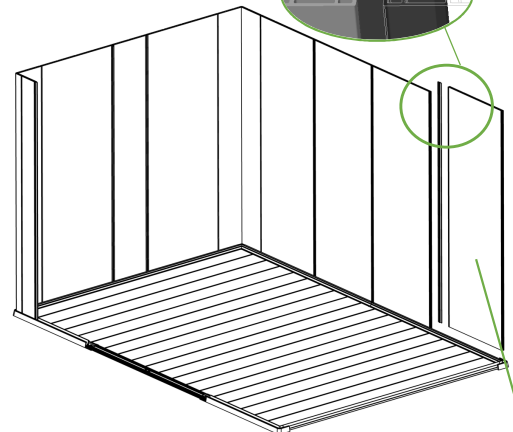
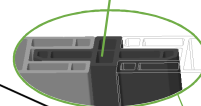


W. 3 (kp)



W. 2 (kp)

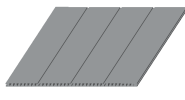
W. 3 (kp)



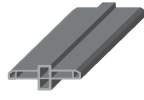
W. 5 (kp)

# ASSEMBLY INSTRUCTIONS

9



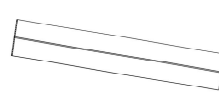
W.2(kp)  
2pcs



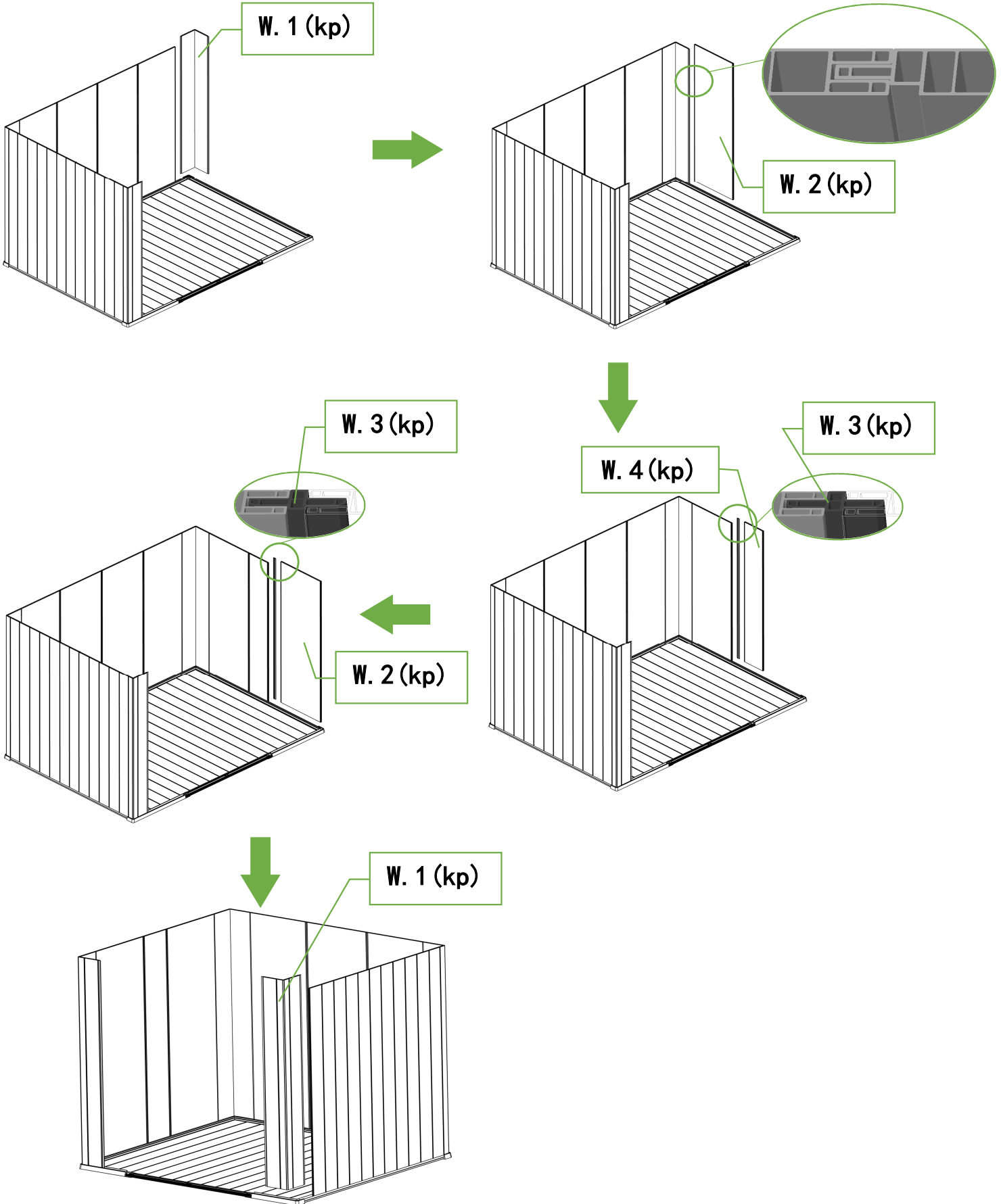
W.3(kp)  
2pcs



W.1(kp)  
2pcs

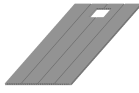


W.4(kp)  
1pcs



# ASSEMBLY INSTRUCTIONS

10



W.6(kp)  
2pcs



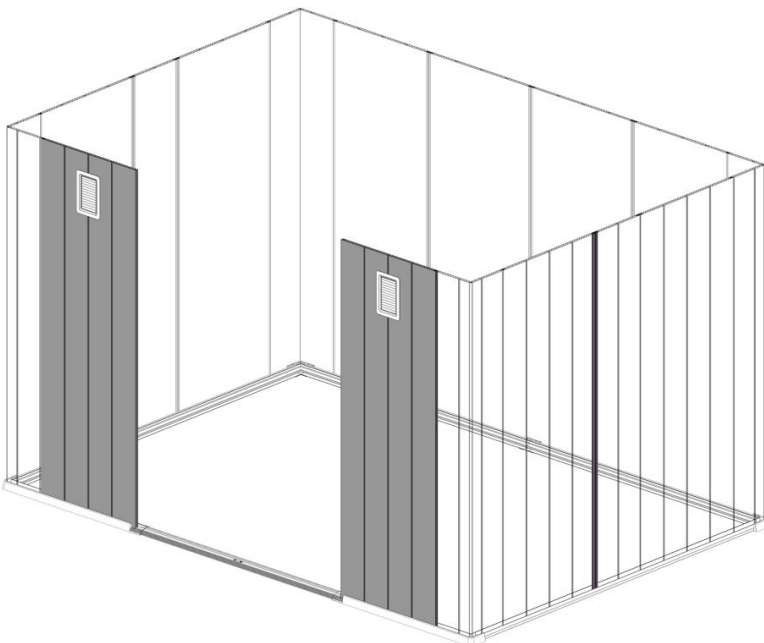
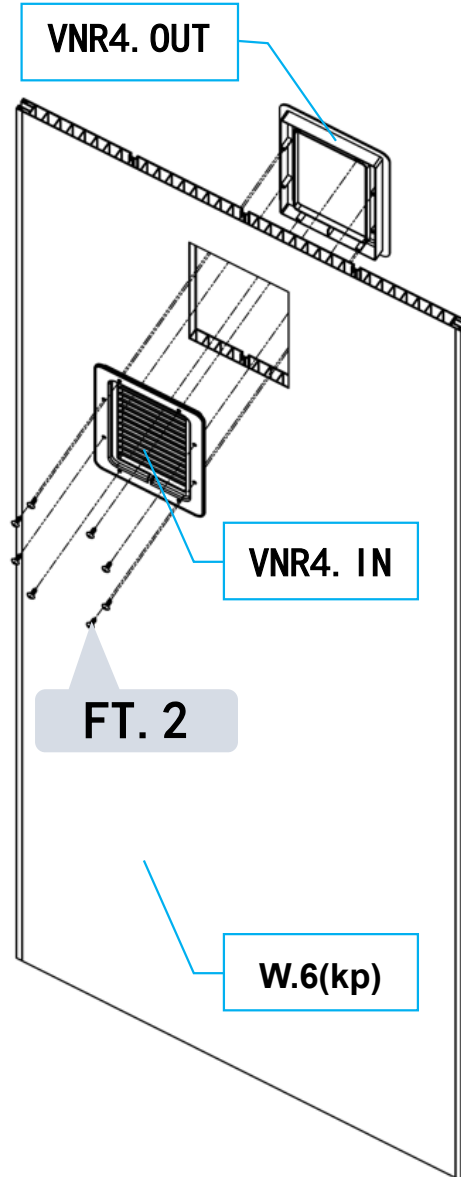
VNR4.OUT  
2pcs



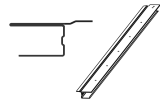
VNR4.IN  
2pcs



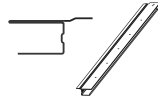
FT.2  
16pcs



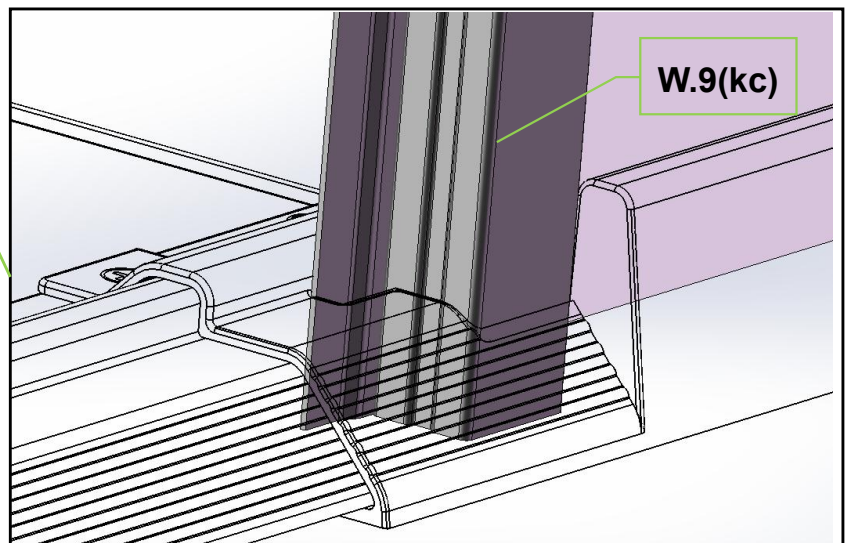
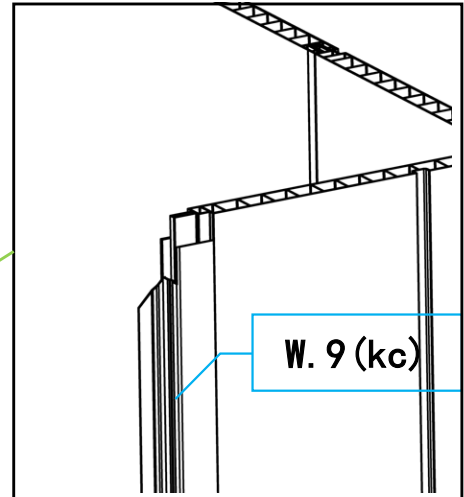
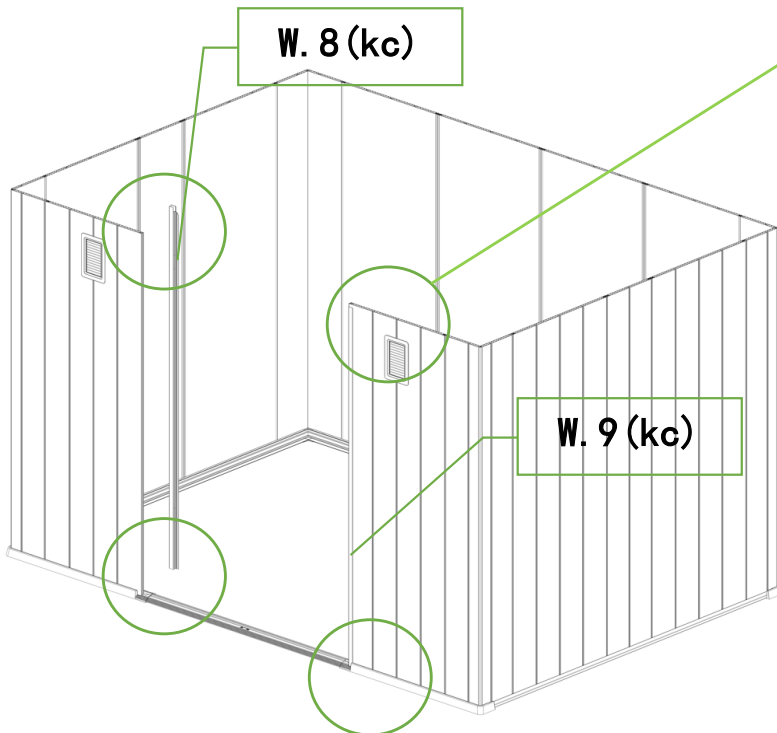
11



W.8(kc)  
1pcs

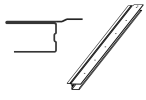


W.9(kc)  
1pcs

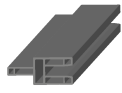


# ASSEMBLY INSTRUCTIONS

12



W.10(kp)  
1pcs



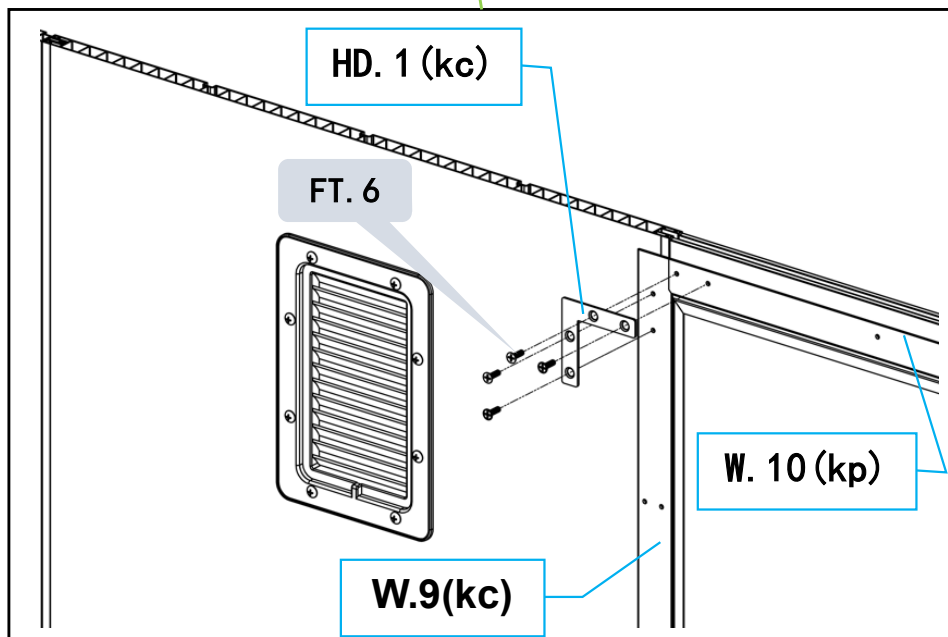
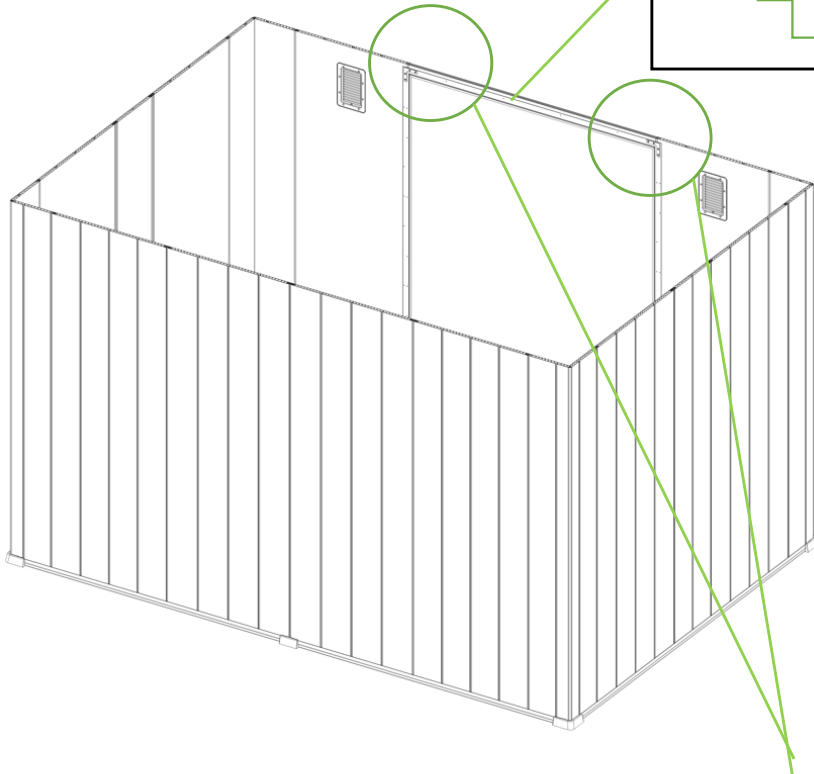
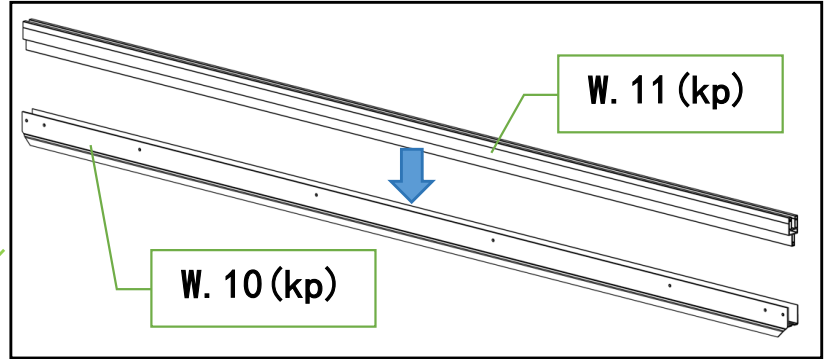
W.11(kp)  
1pcs



HD.1(kp)  
2pcs



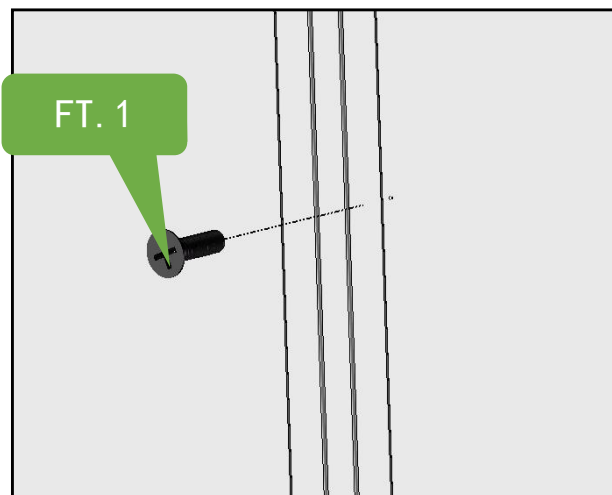
FT.6  
8pcs



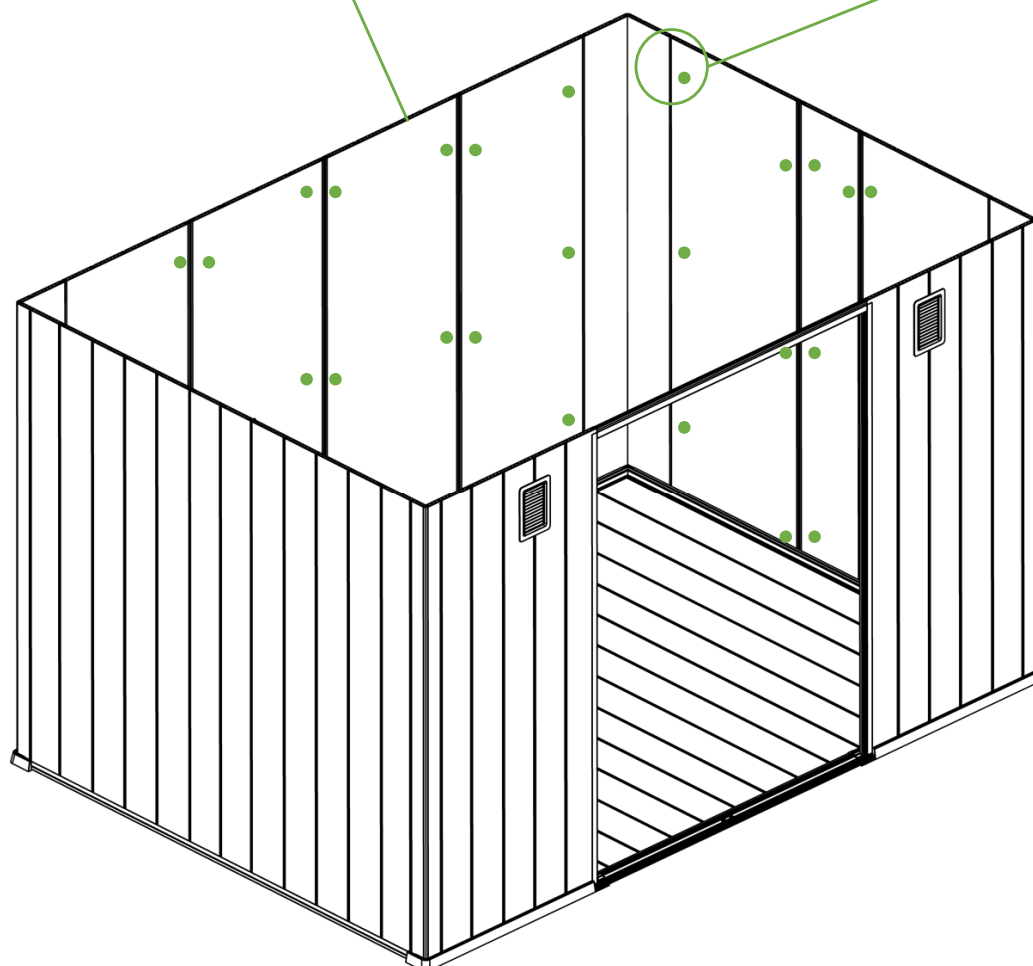
# 13



FT.1  
66pcs



The top should be flush




Ensure that all connections are in place then use screws to fix adjacent wall panels. You can also fix screws in last step too.

# ASSEMBLY INSTRUCTIONS

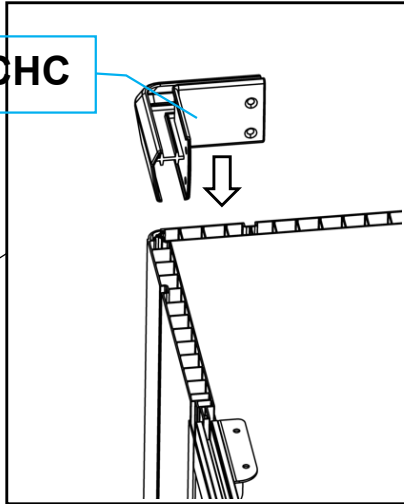
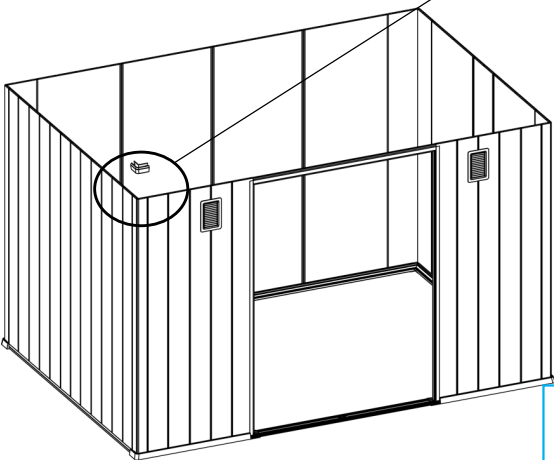
14

  
KCPCHC  
2pcs

  
W.12(kp)  
2pcs

  
KCSHC2  
1pcs

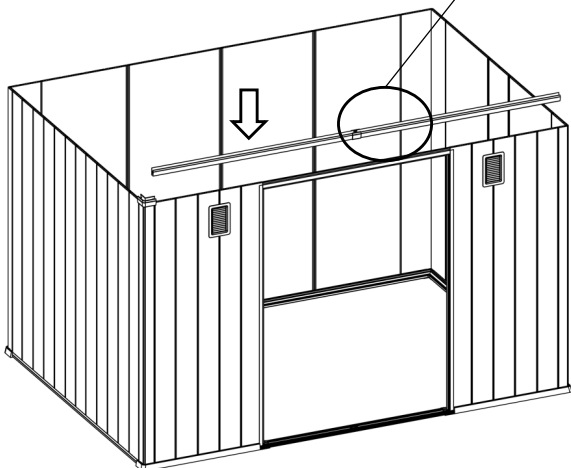
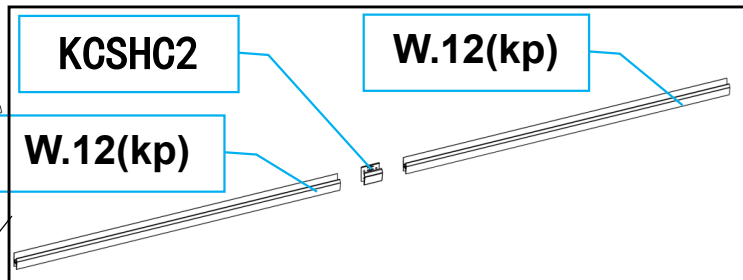
KCPCHC



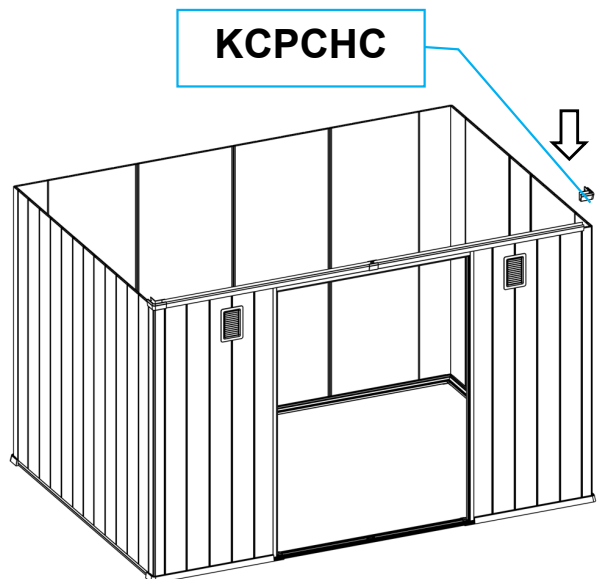
KCSHC2

W.12(kp)

W.12(kp)

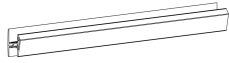


KCPCHC



# ASSEMBLY INSTRUCTIONS

15



W.15(kp)  
1pcs



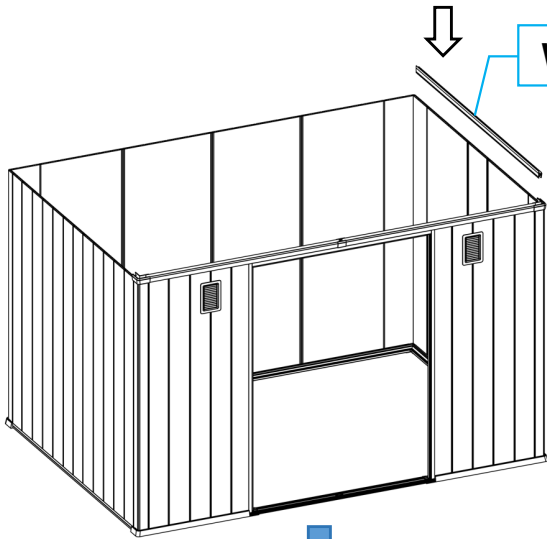
W.12(kp)  
2pcs



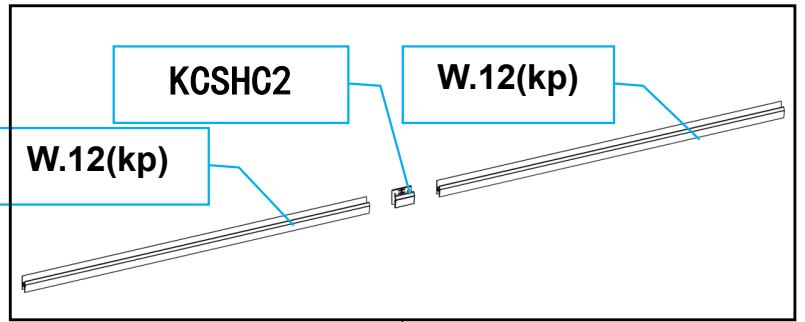
KCPCHC  
1pcs



KCSHC2  
1pcs



W.15(kp)

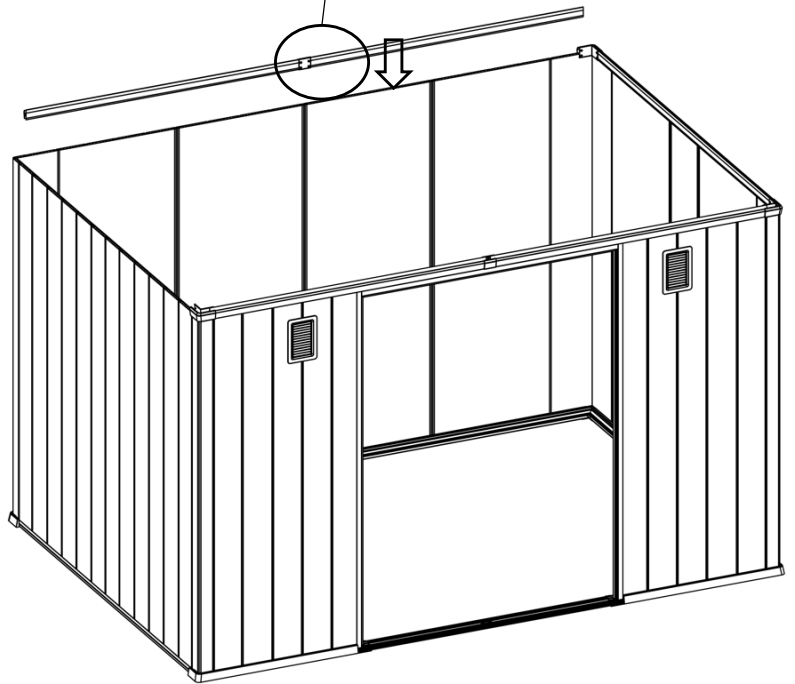
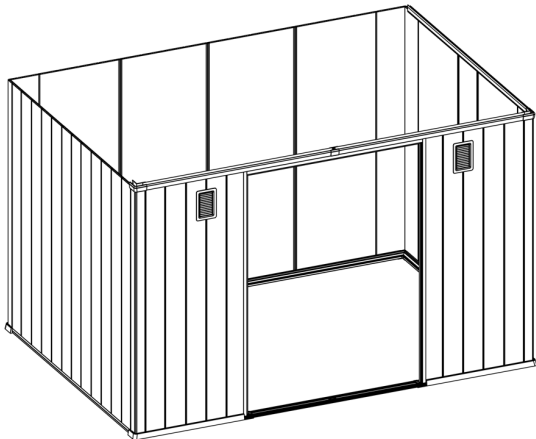


KCSHC2

W.12(kp)

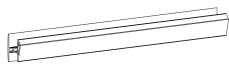
W.12(kp)

KCPCHC



# ASSEMBLY INSTRUCTIONS

# 16



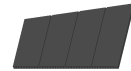
W.15(kp)  
1pcs



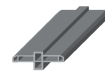
KCPCHC  
1pcs



W.16(kp)  
1pcs



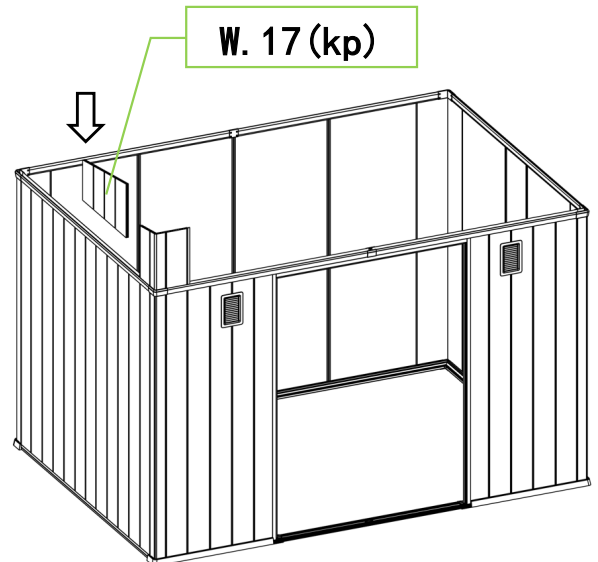
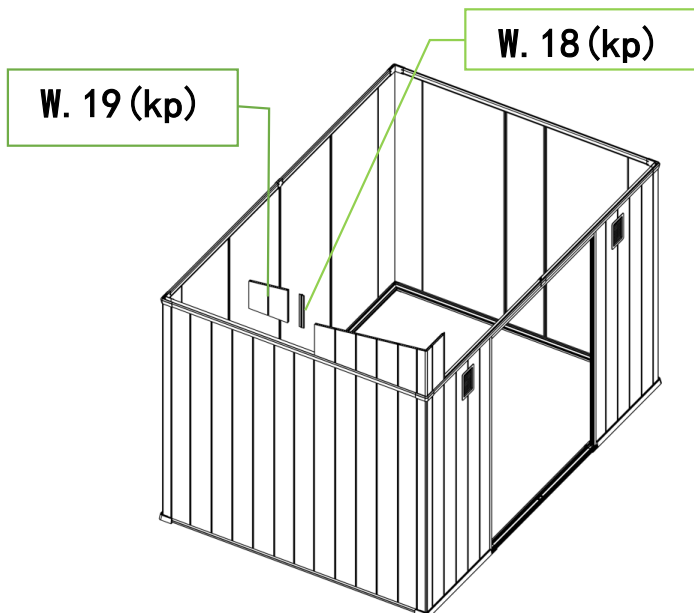
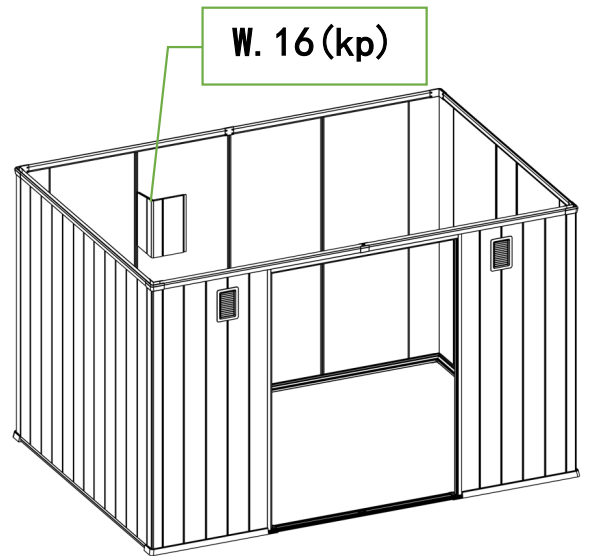
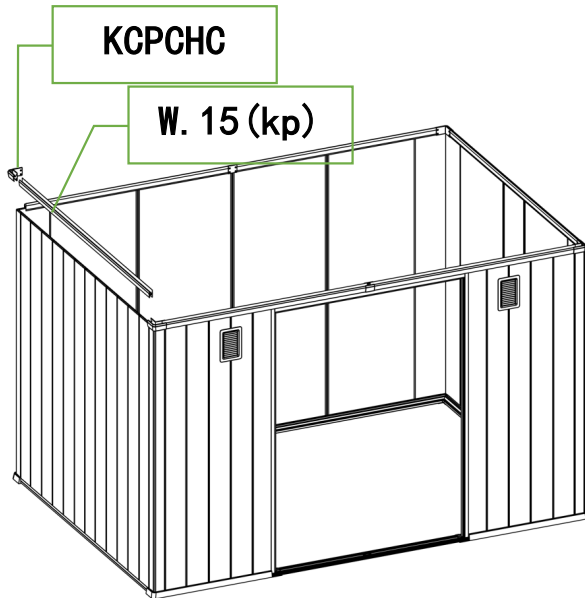
W.17(kp)  
1pcs



W.18(kp)  
2pcs

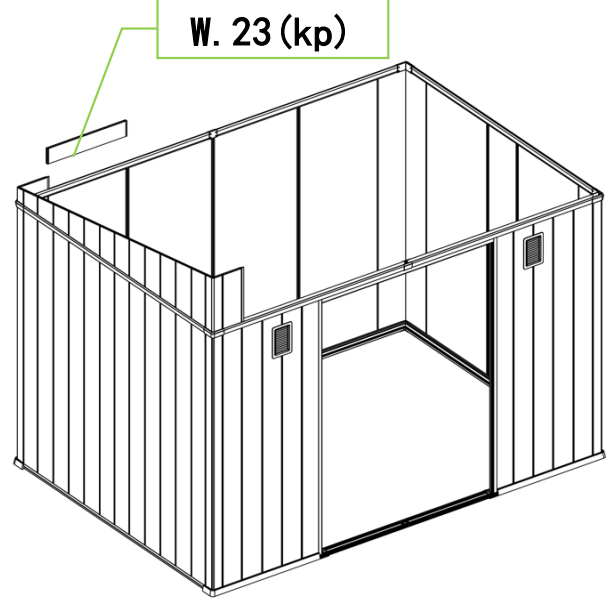
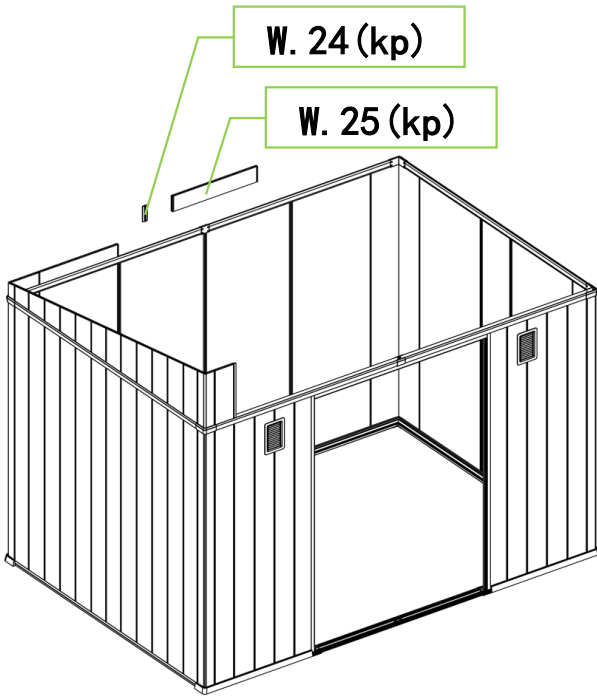
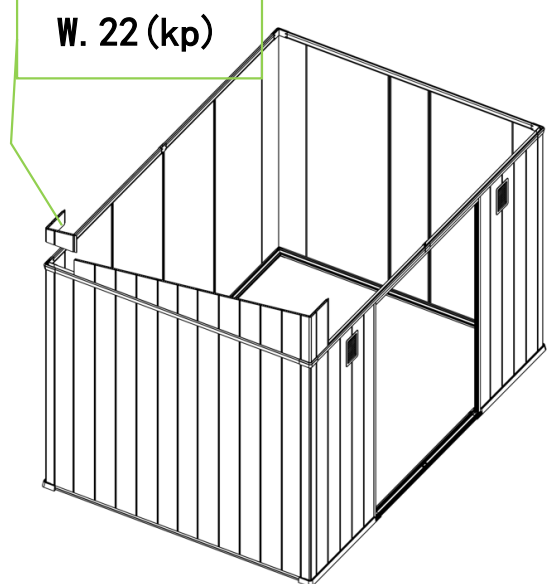
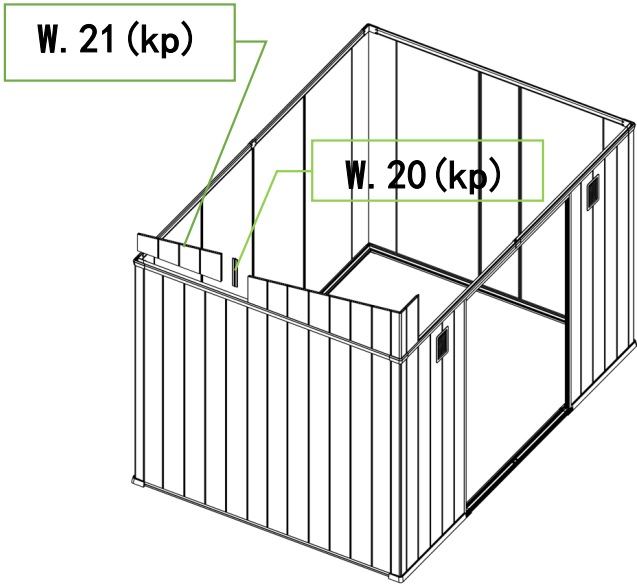
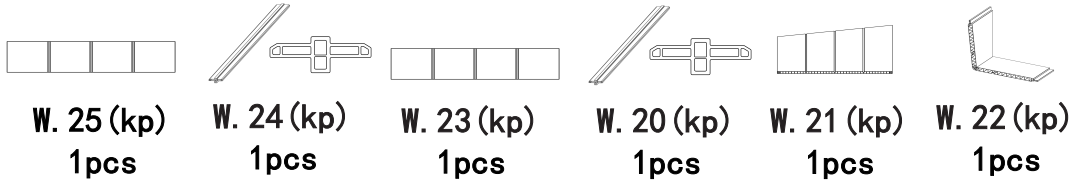


W.19(kp)  
1pcs




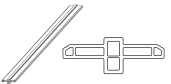

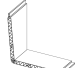
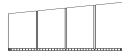
# ASSEMBLY INSTRUCTIONS

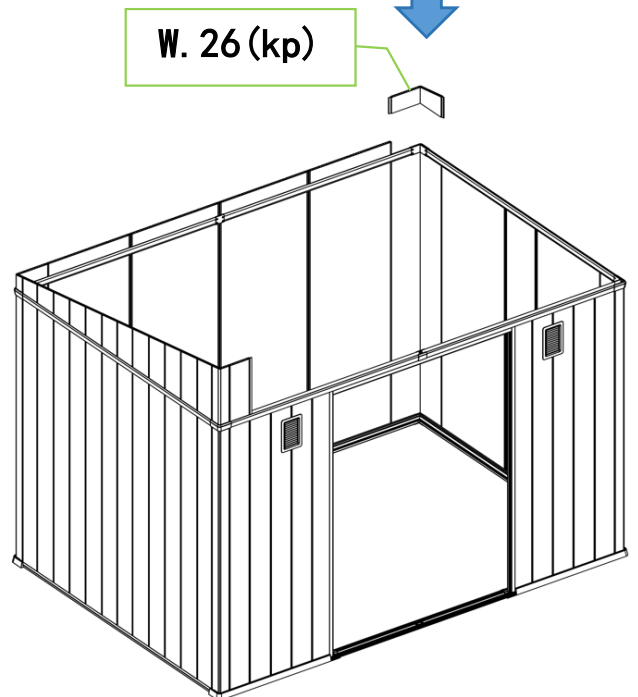
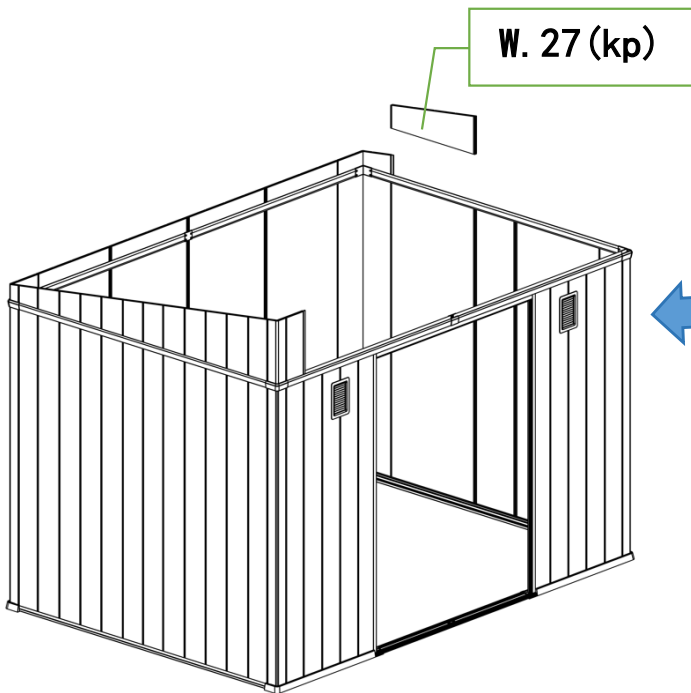
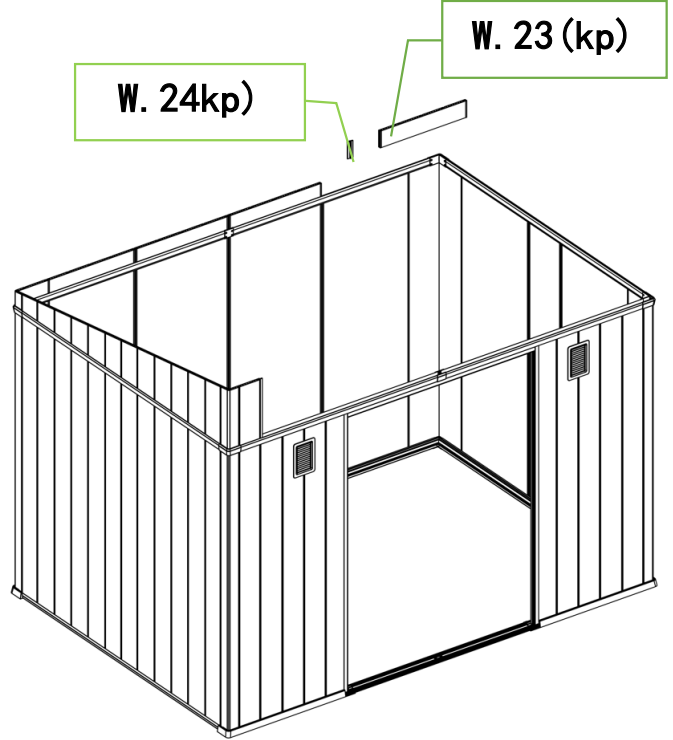
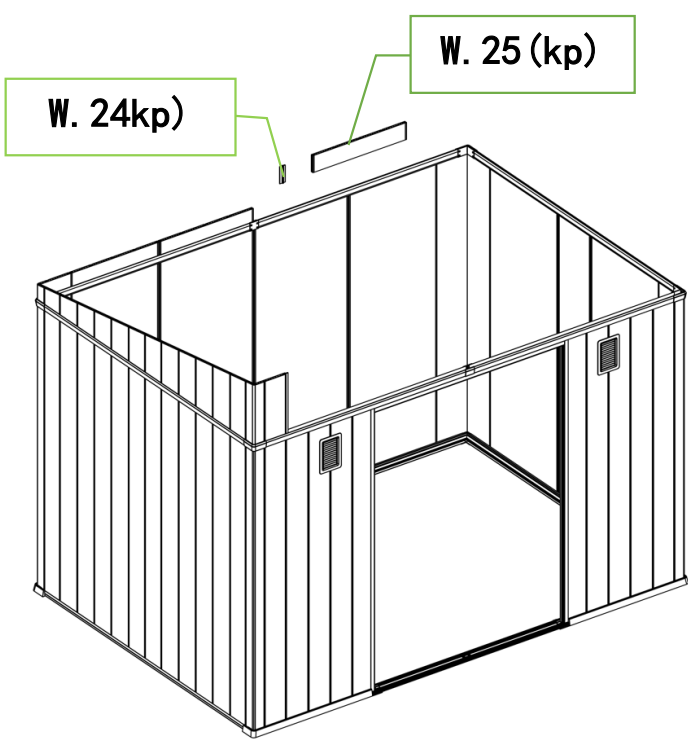
17



# ASSEMBLY INSTRUCTIONS

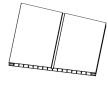
18

- |   |   |   |  |   |
|---|---|---|--|---|
|  |  |  |  |  |
| W.23(kp)<br>1pcs  | W.24(kp)<br>2pcs  | W.25(kp)<br>1pcs  | W.26(kp)<br>1pcs   | W.27(kp)<br>1pcs  |

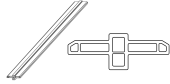


# ASSEMBLY INSTRUCTIONS

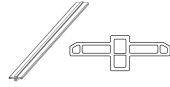
19



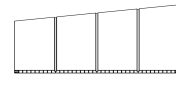
W.28(kp)  
1pcs



W.20(kp)  
1pcs



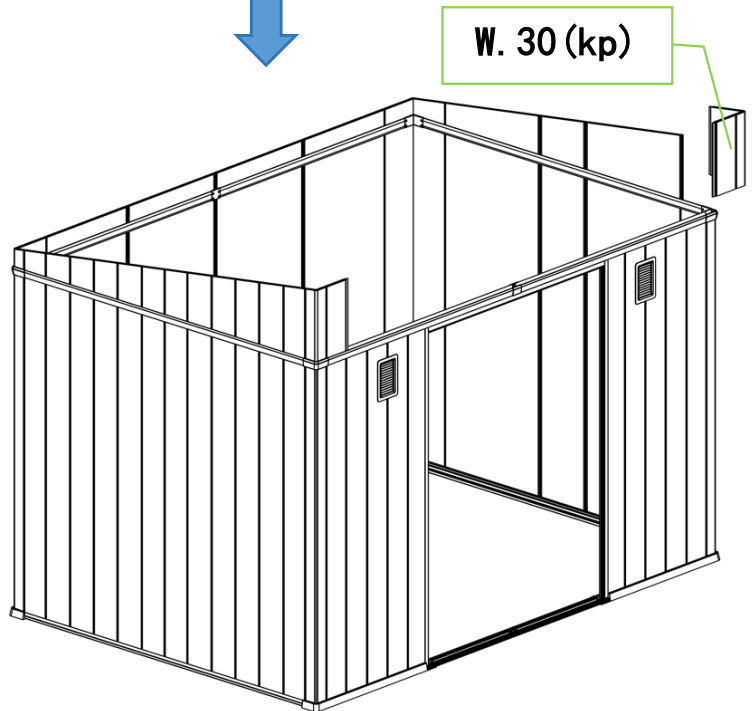
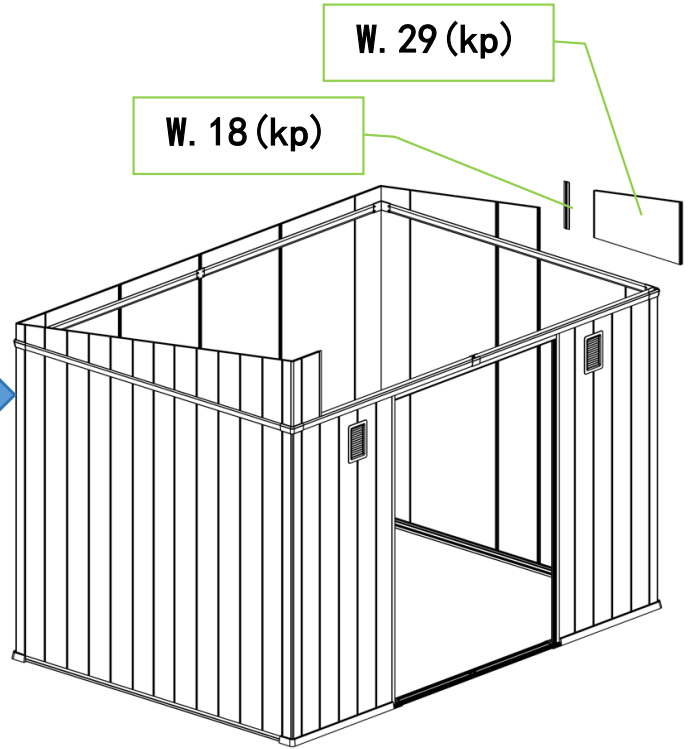
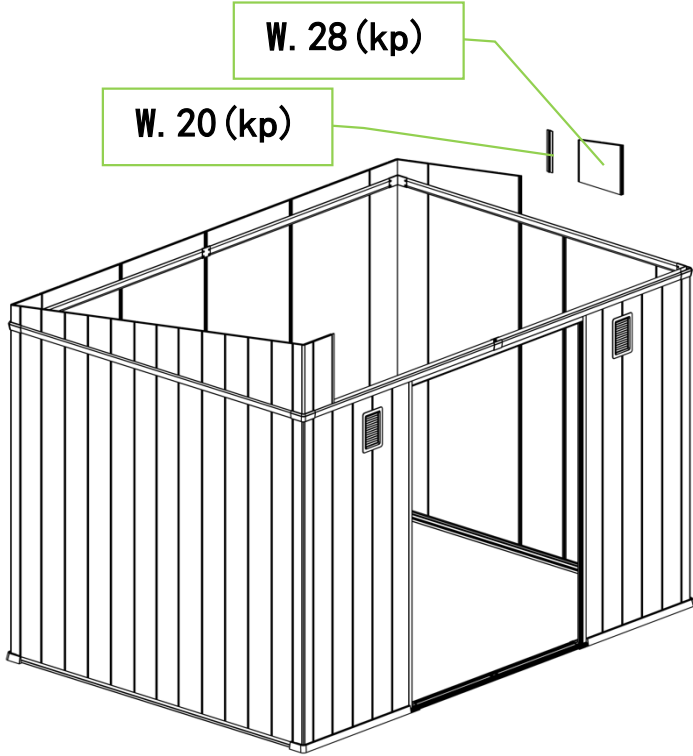
W.18(kp)  
1pcs



W.29(kp)  
1pcs

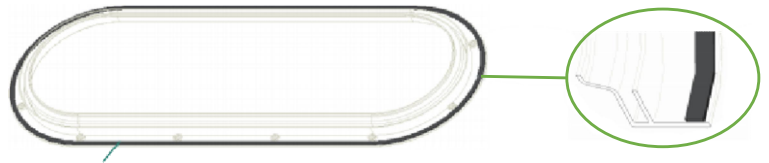
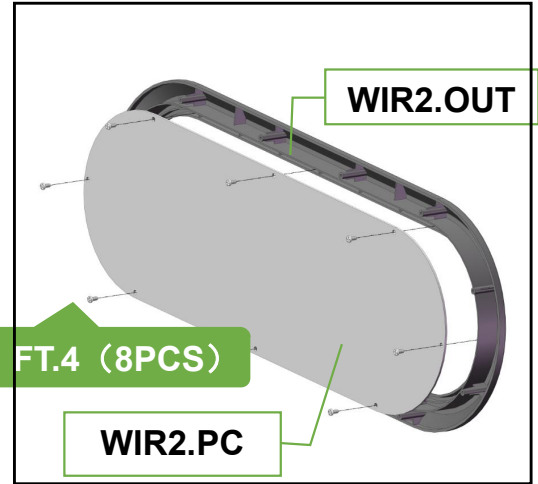
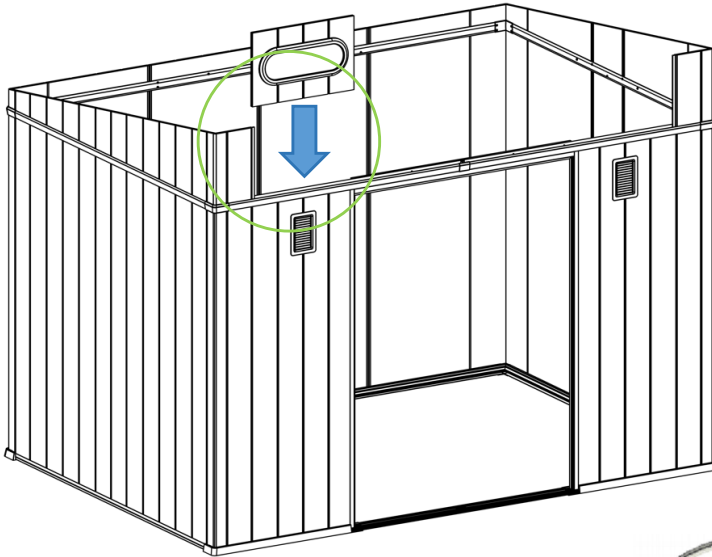
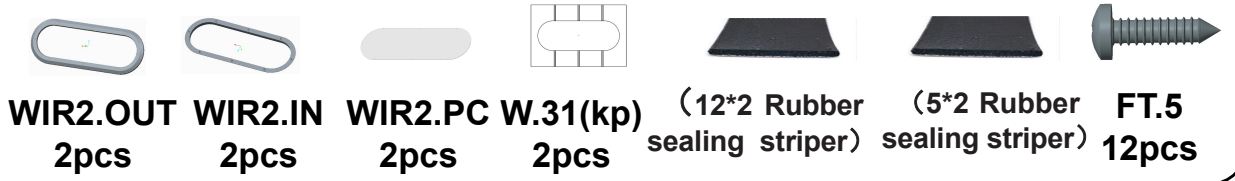


W.30(kp)  
1pcs

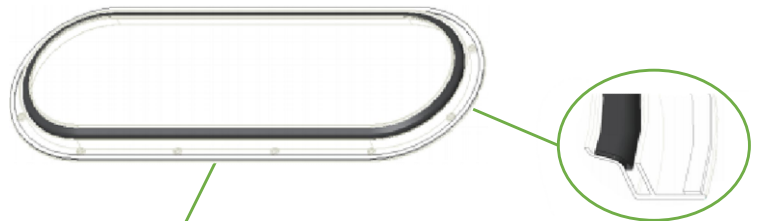


# ASSEMBLY INSTRUCTIONS

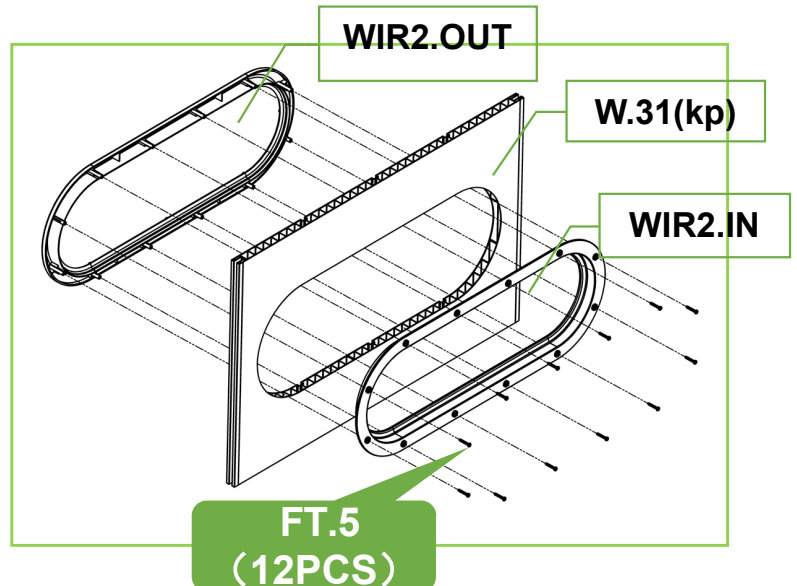
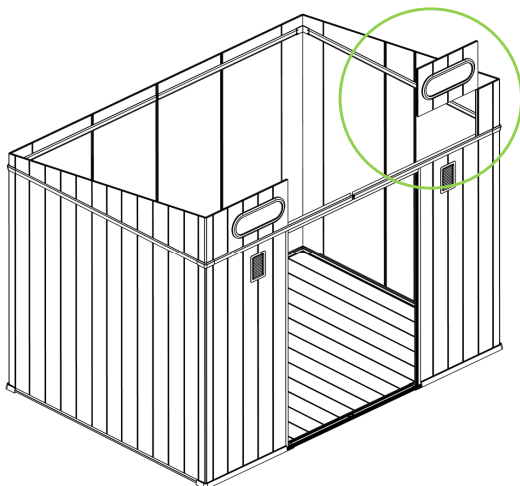
20



**12\*2mm Rubber sealing strip**

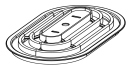


**5\*2mm Rubber sealing strip**



# ASSEMBLY INSTRUCTIONS

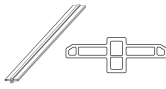
21



VNR2.OUT  
1pcs



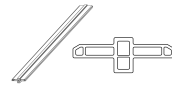
VNR2.IN  
1pcs



W.32(kp)  
2pcs



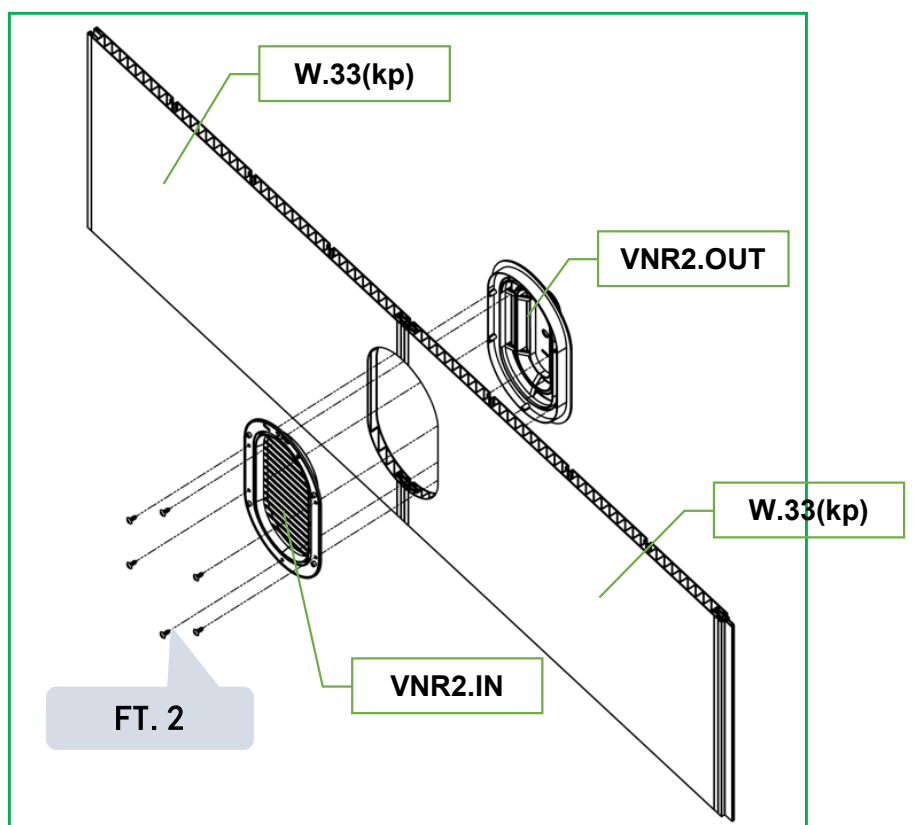
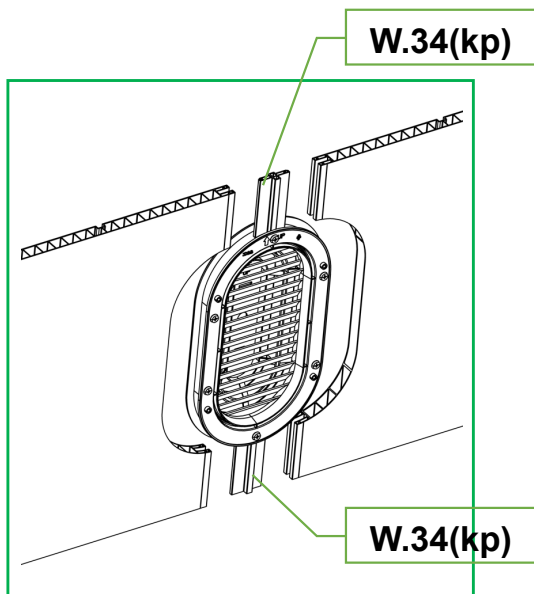
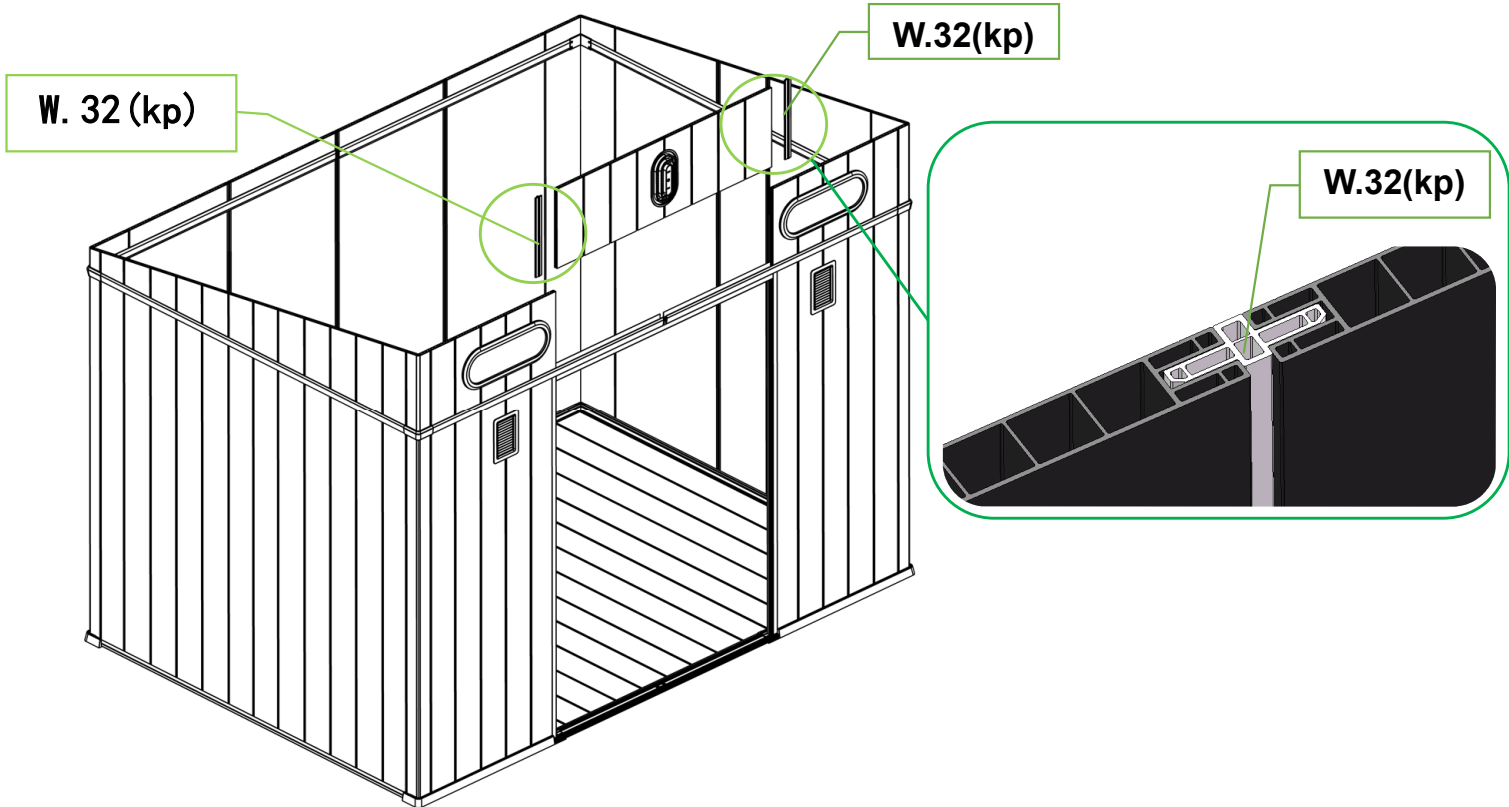
W.33(kp)  
2pcs



W.34(kp)  
2pcs



FT.2  
6pcs

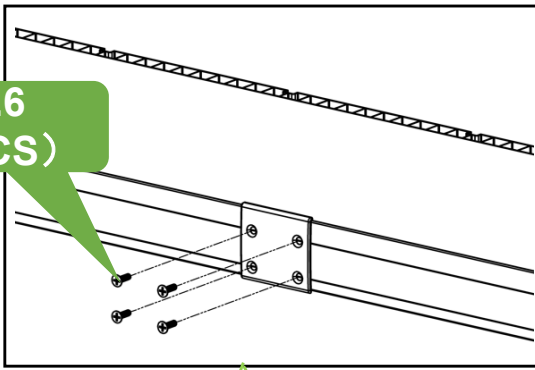


22

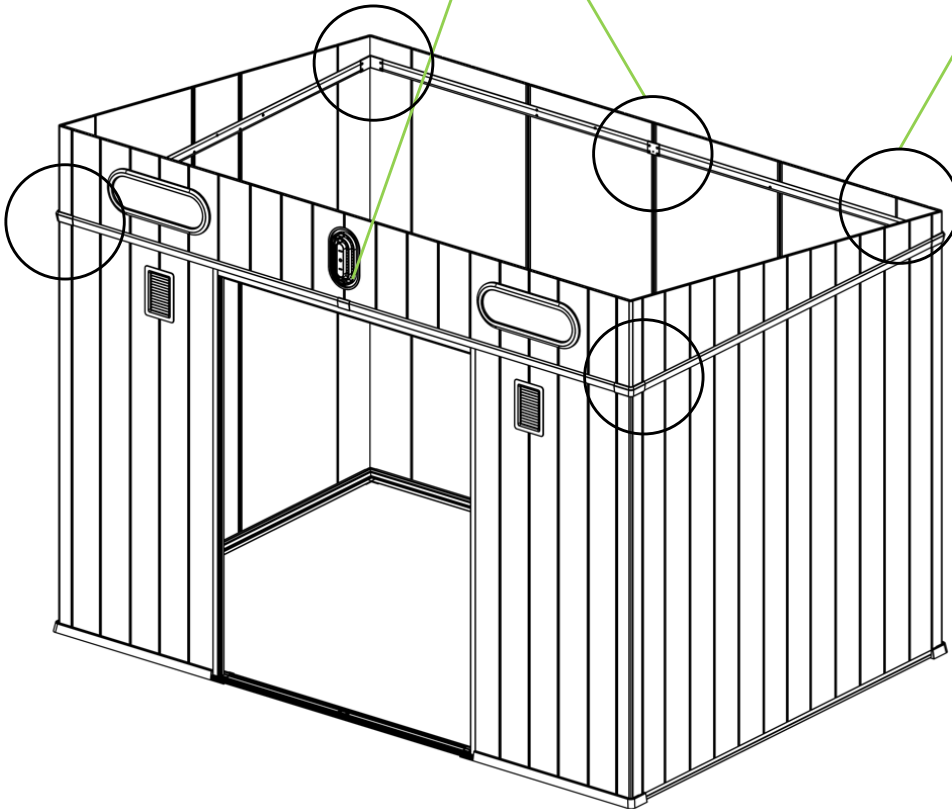
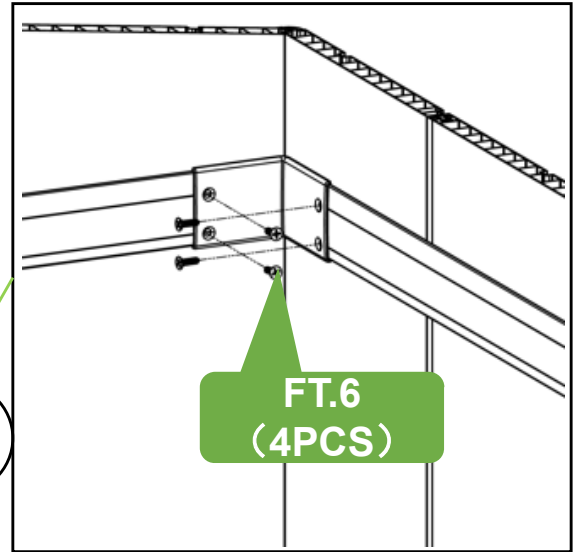


**FT.6**  
24pcs

**FT.6**  
**(4PCS)**



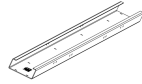
**FT.6**  
**(4PCS)**



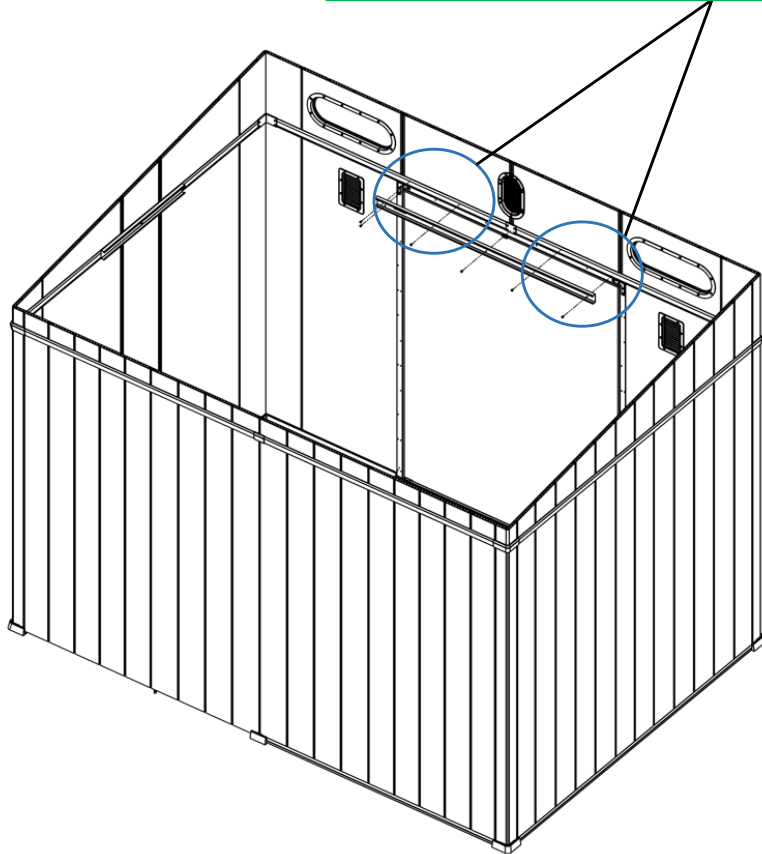
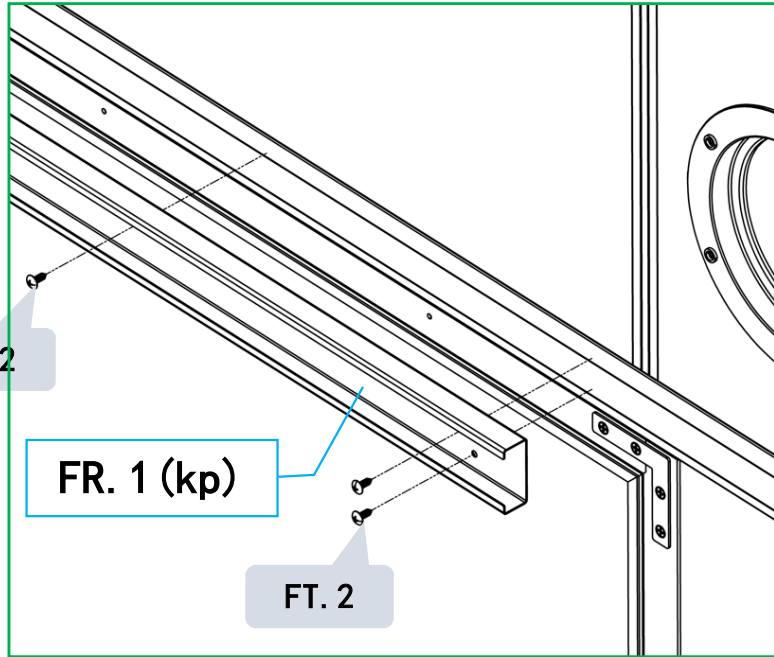
# 23



FT.2  
6pcs



FR.1(kp)  
1pcs

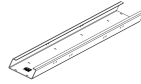


Front

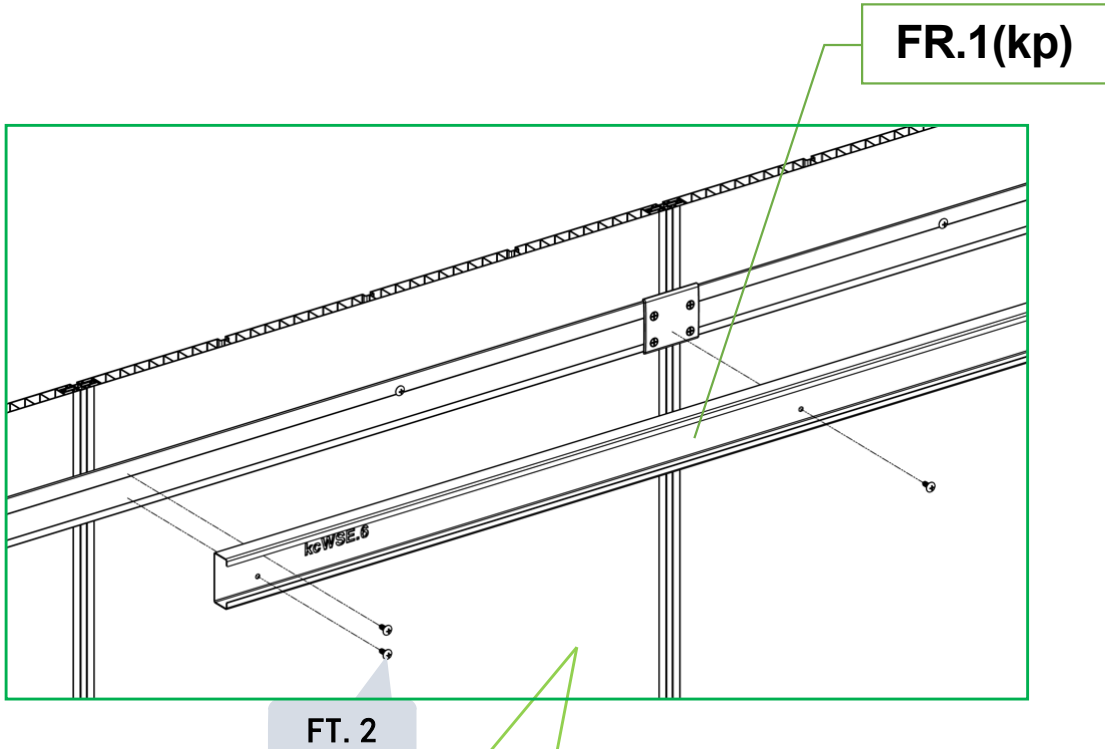
24



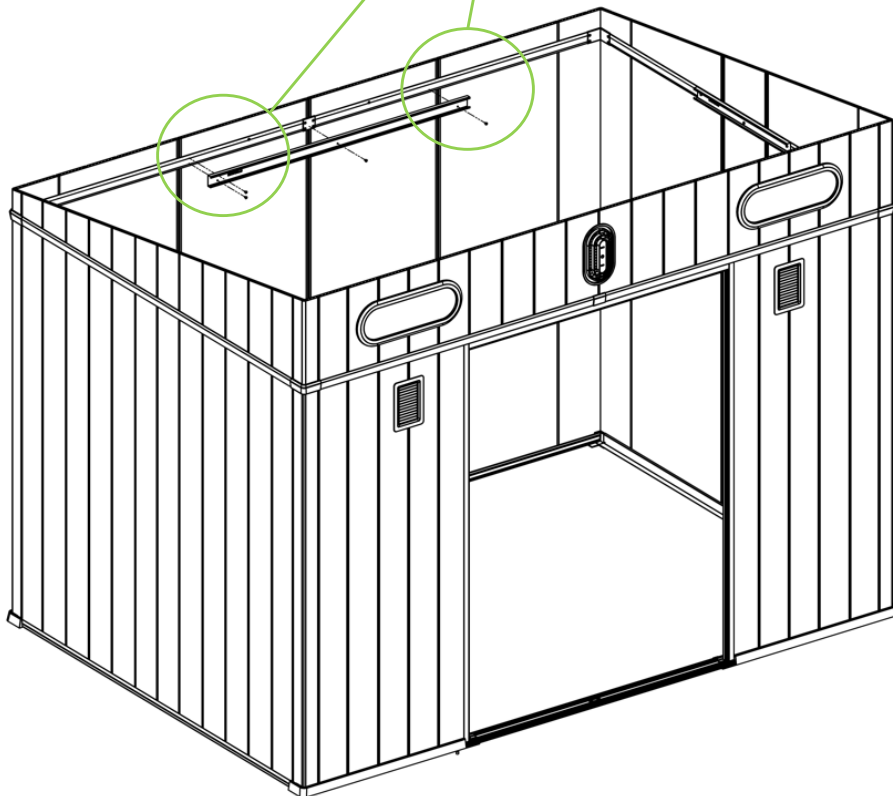
FT.2  
6pcs



FR.1(kp)  
1pcs



Back

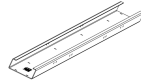


# ASSEMBLY INSTRUCTIONS

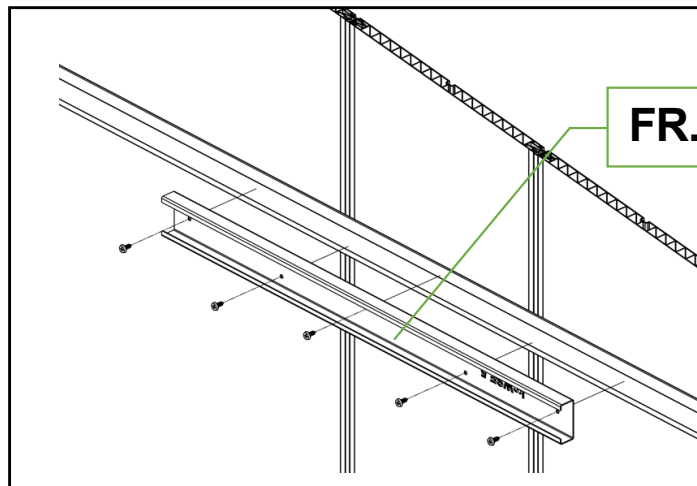
25



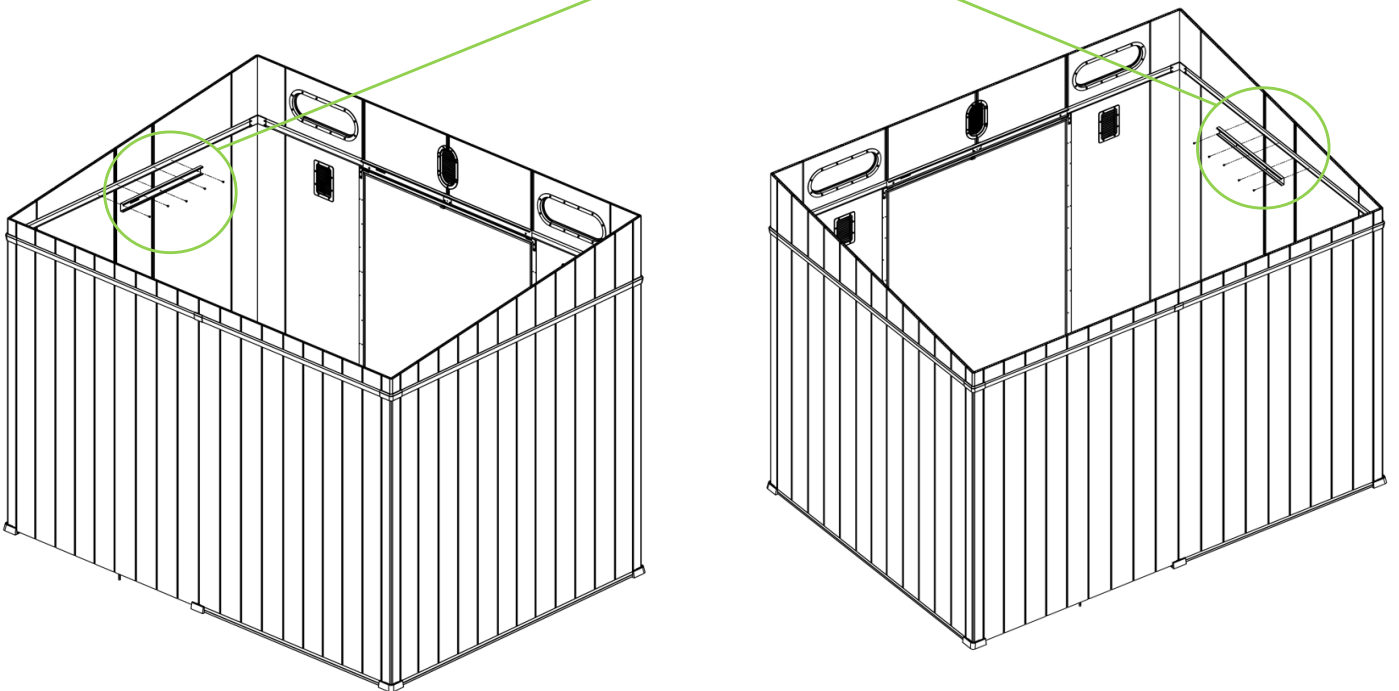
FT.2  
10pcs



FR.12(kp)  
2pcs

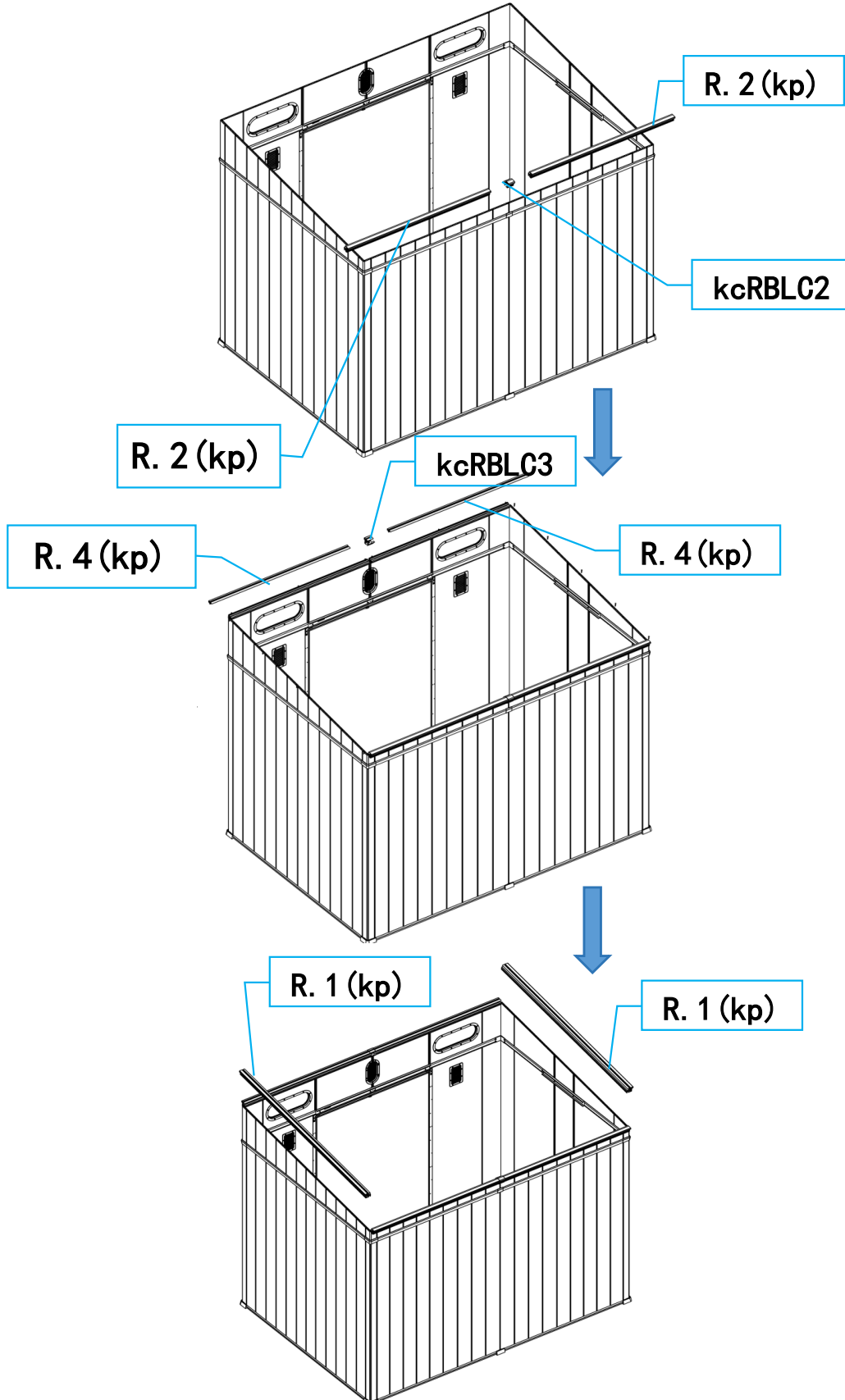


Side



# ASSEMBLY INSTRUCTIONS

26

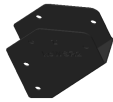


# ASSEMBLY INSTRUCTIONS

27



FR.4(kp)  
2pcs



FR.5(kp)  
2pcs



FR.14(kc)  
2pcs



FT.7  
8pcs

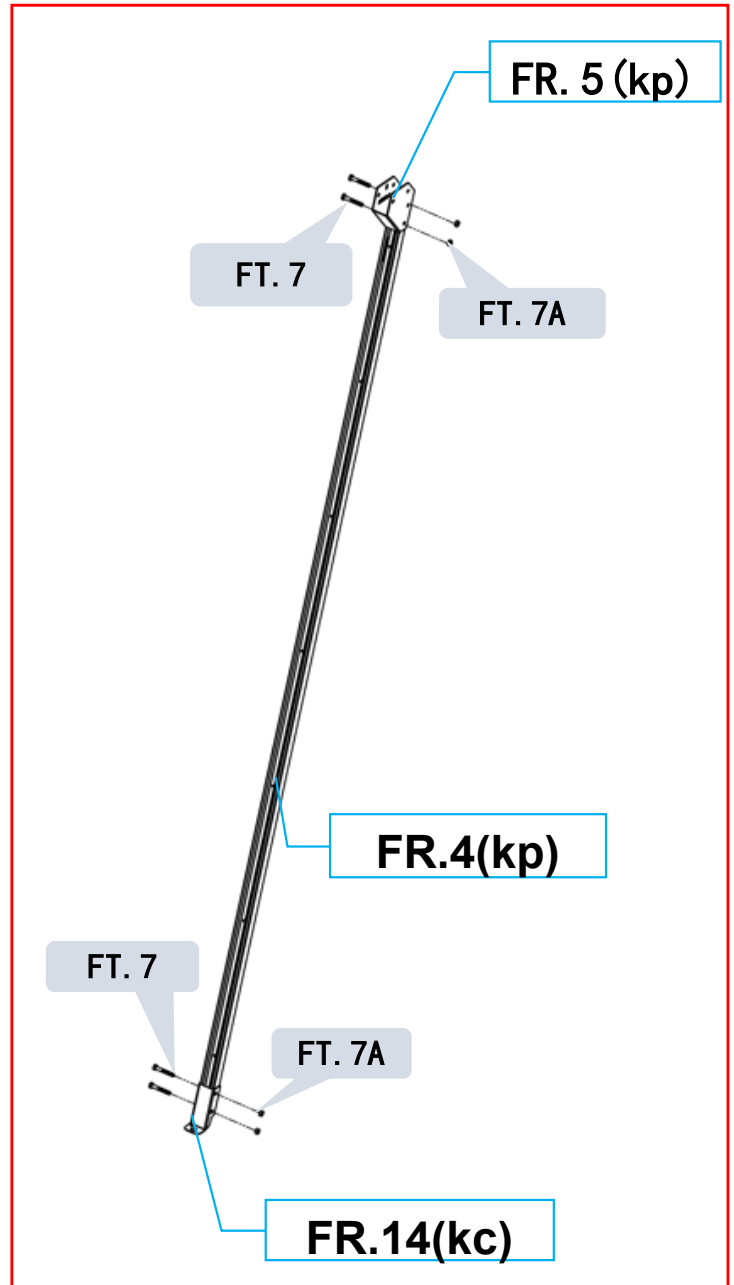
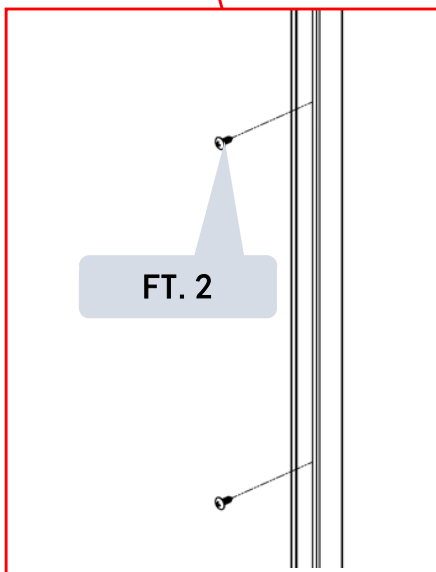
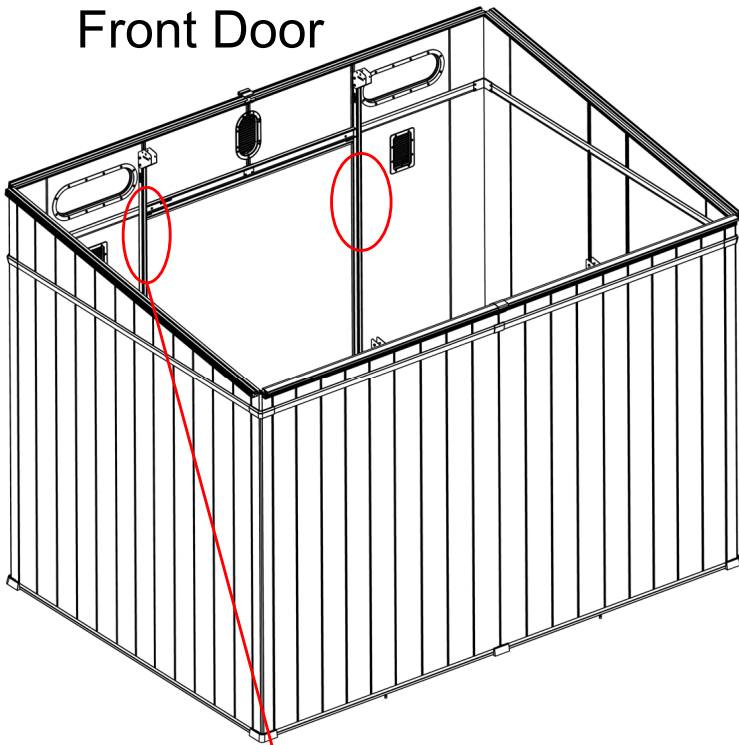


FT.7A  
8pcs



FT.2  
6pcs

Front Door



x2

# ASSEMBLY INSTRUCTIONS

28



FR.2(kp)  
2pcs



FR.3(kp)  
2pcs



FR.14(kc)  
2pcs



FT.7  
8pcs

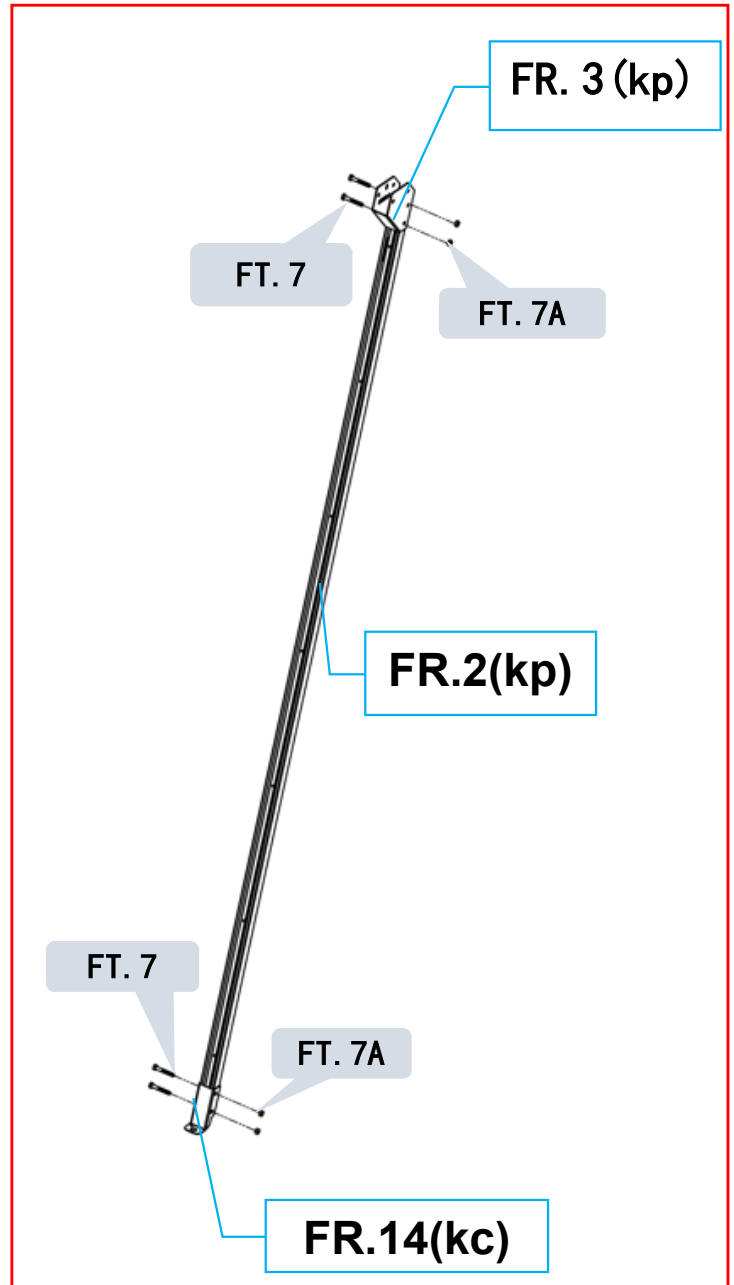
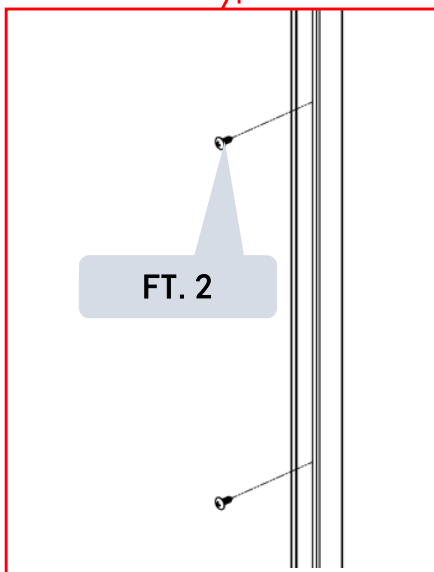
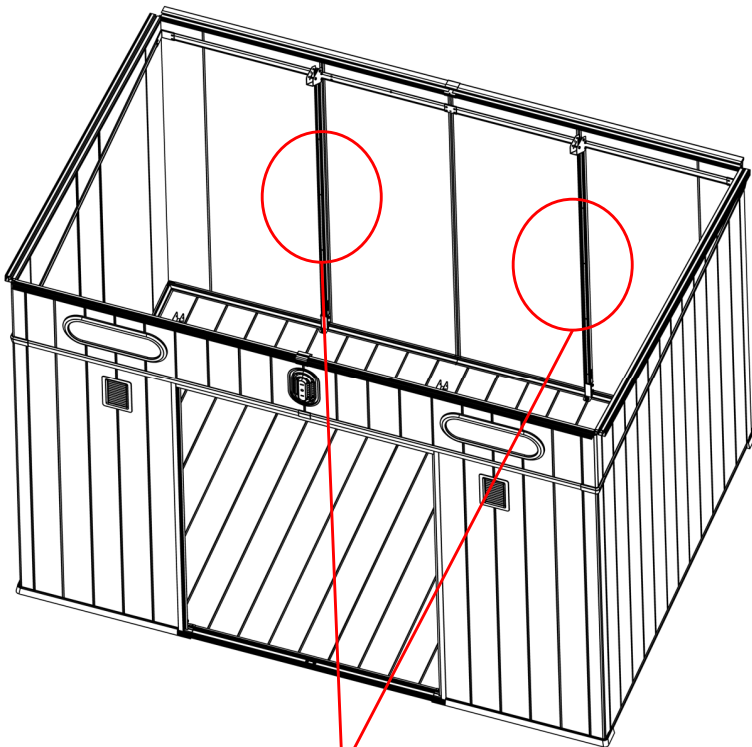


FT.7A  
8pcs



FT.2  
6pcs

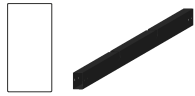
Back Wall



x2

# ASSEMBLY INSTRUCTIONS

29



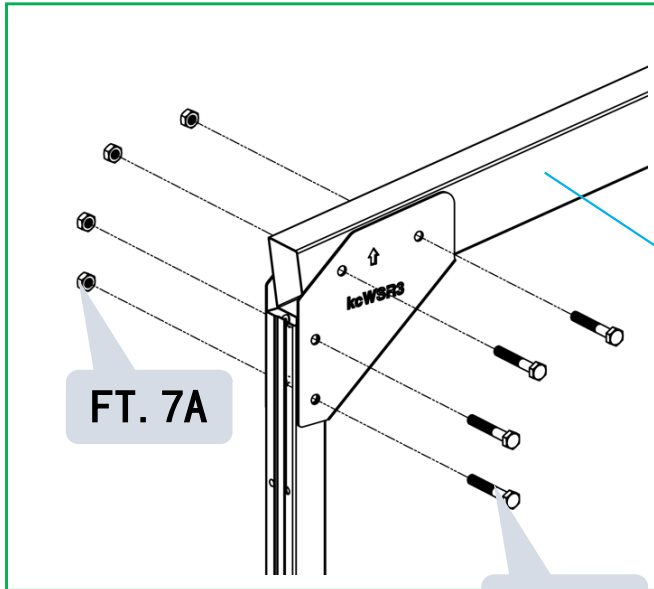
FR.6(kp)  
2pcs



FT.7  
2pcs



FT.7A  
2pcs

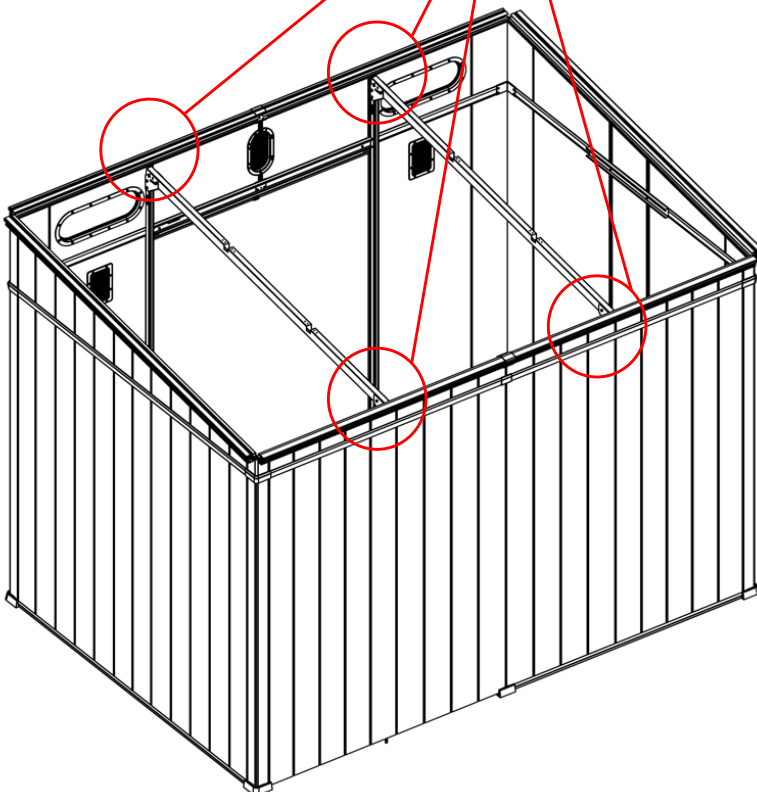


FR. 6 (kp)

FT. 7A

FT. 7

x2

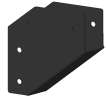


# ASSEMBLY INSTRUCTIONS

30



FR.7(kp)  
2pcs



FR.8(kp)  
2pcs



FR.14(kc)  
2pcs



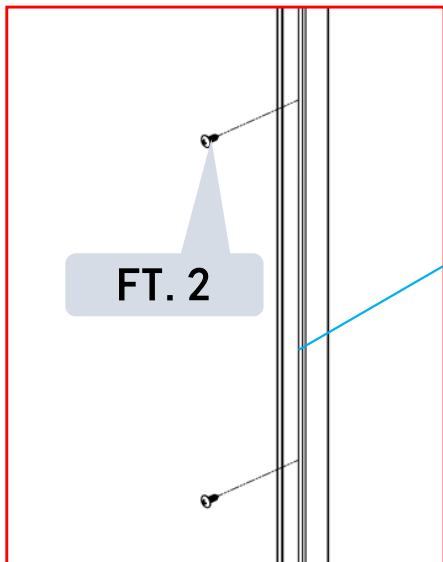
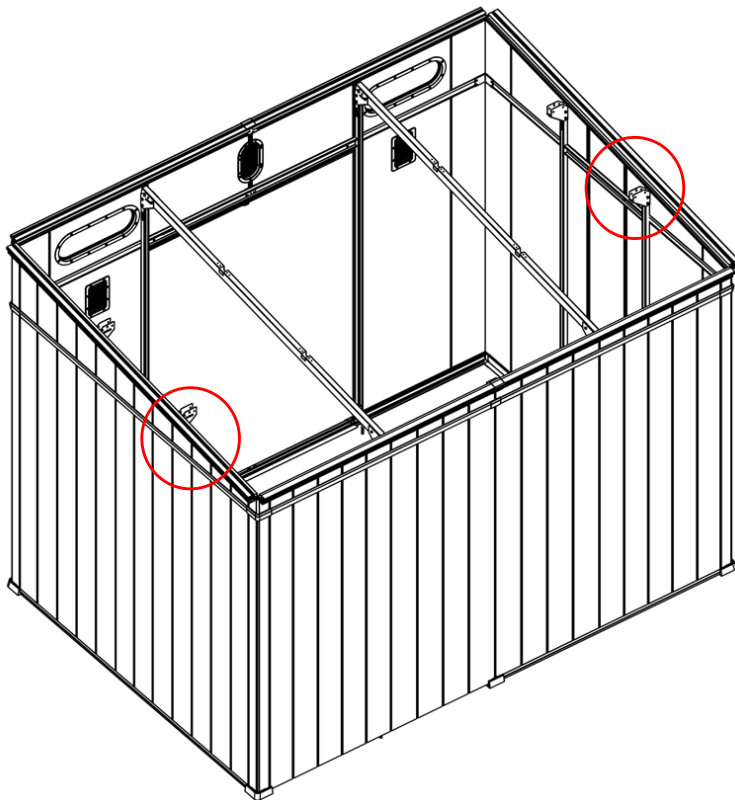
FT.7  
8pcs



FT.7A  
8pcs

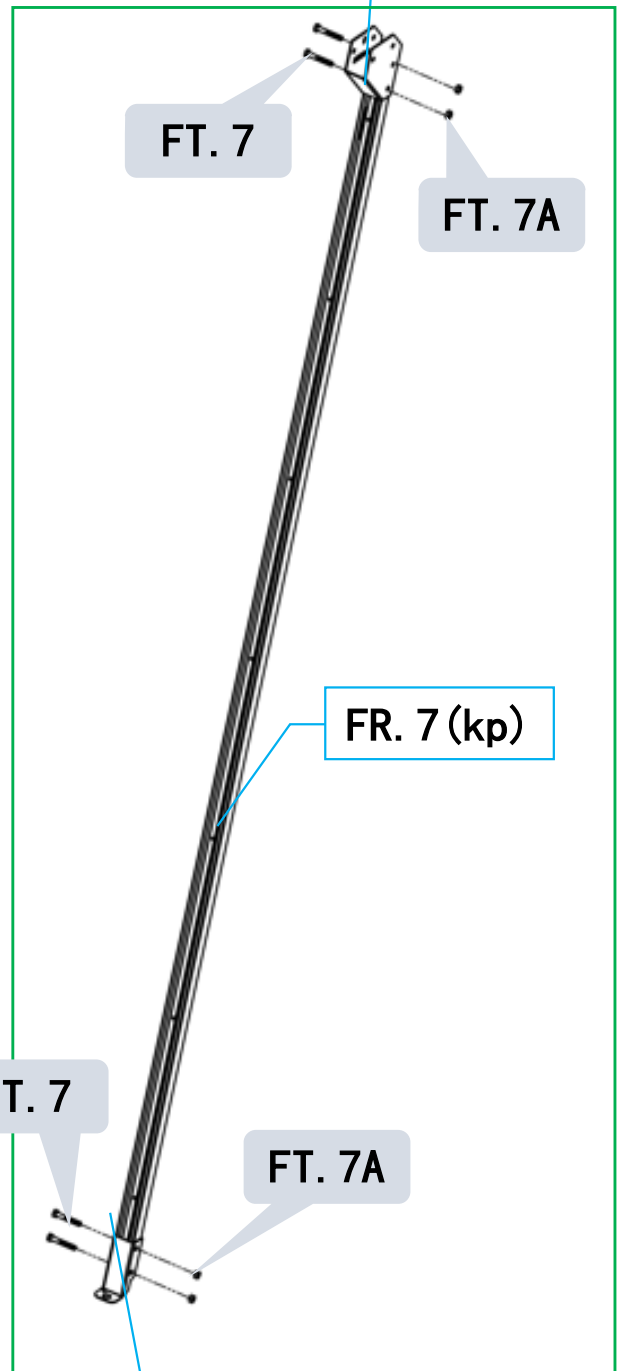


FT.2  
6pcs



FT. 2

FR. 7 (kp)



FR. 8 (kp)

FT. 7

FT. 7A

FR. 7 (kp)

FT. 7

FT. 7A

FR. 14 (kc)

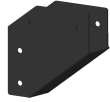
x2

# ASSEMBLY INSTRUCTIONS

31



FR.13(kp)  
2pcs



FR.8(kp)  
2pcs



FR.14(kc)  
2pcs



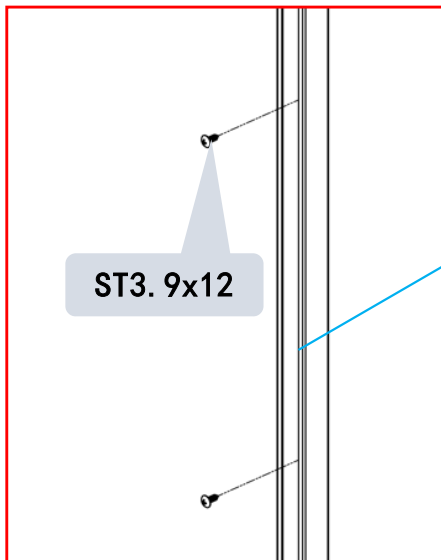
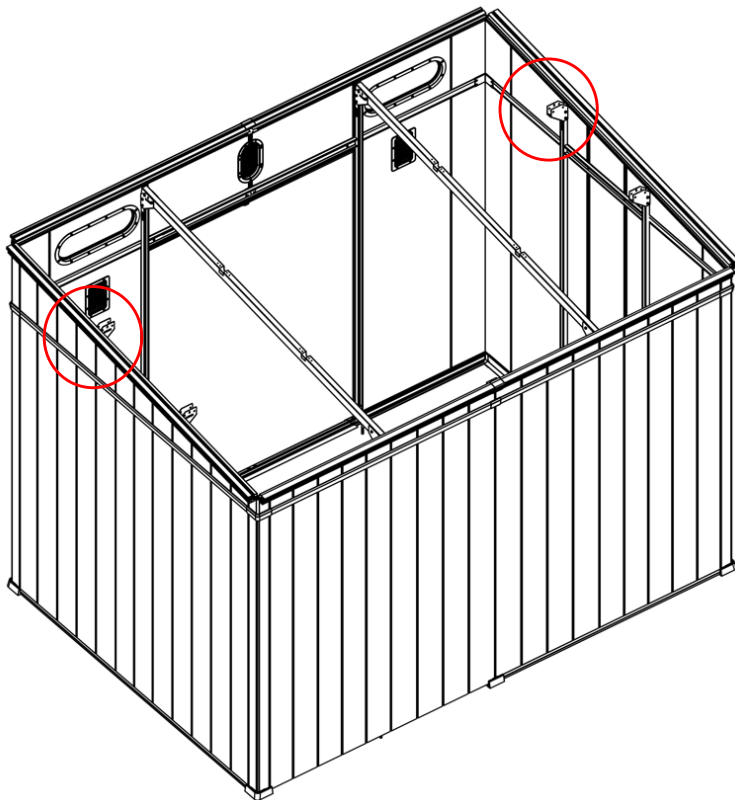
FT.7  
8pcs



FT.7A  
8pcs

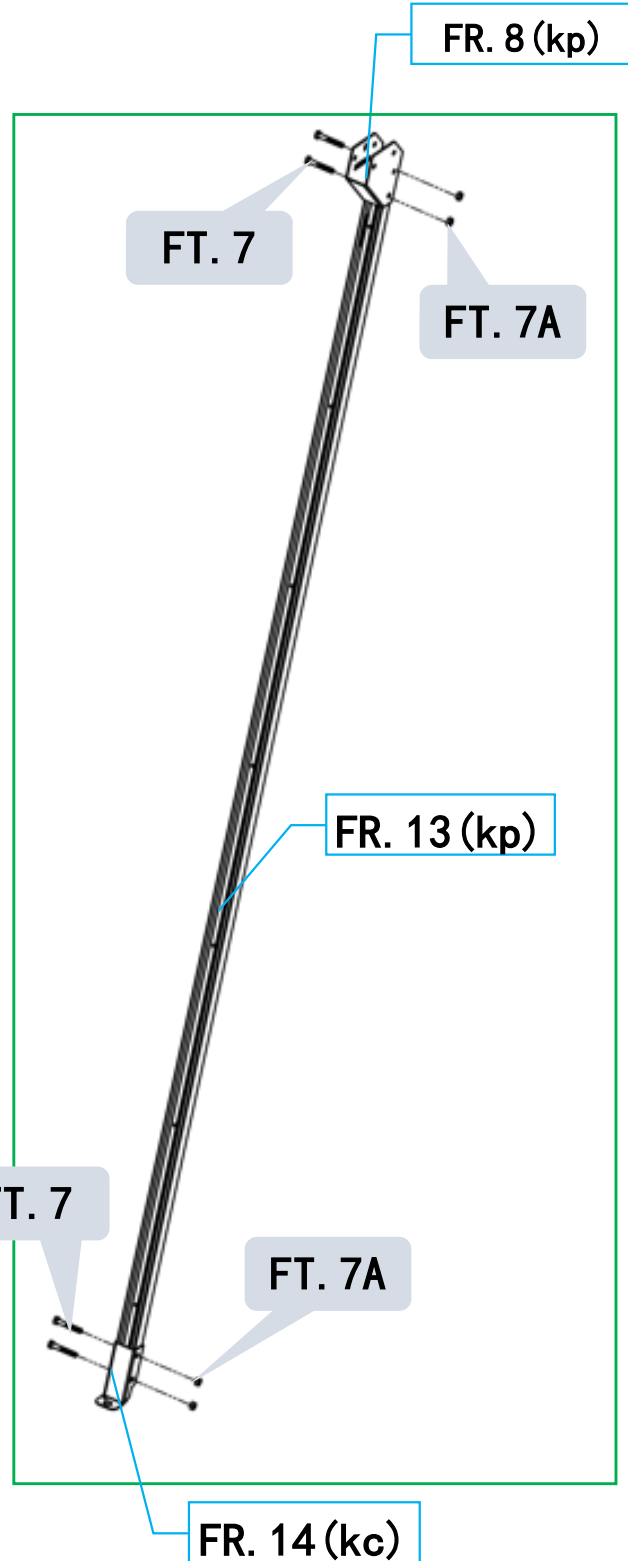


FT.2  
6pcs



ST3. 9x12

FR.7(kp)



FR.8(kp)

FT.7

FT.7A

FR.13(kp)

FT.7

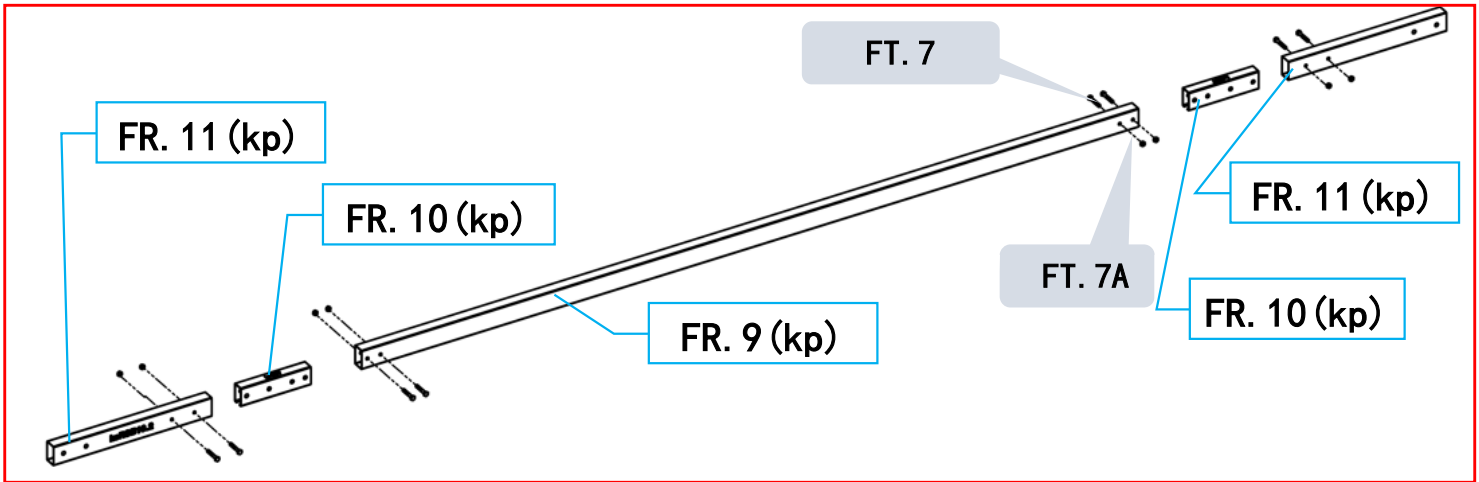
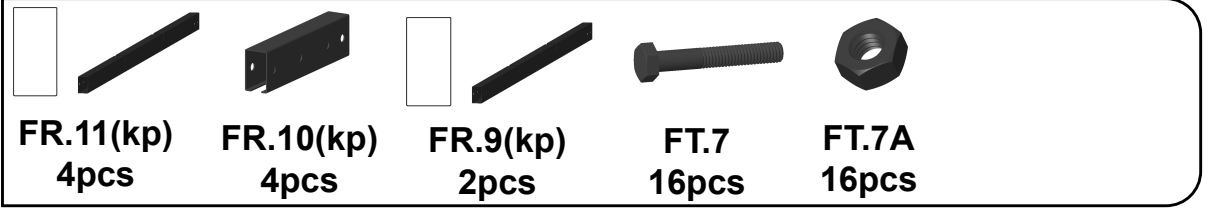
FT.7A

FR.14(kc)

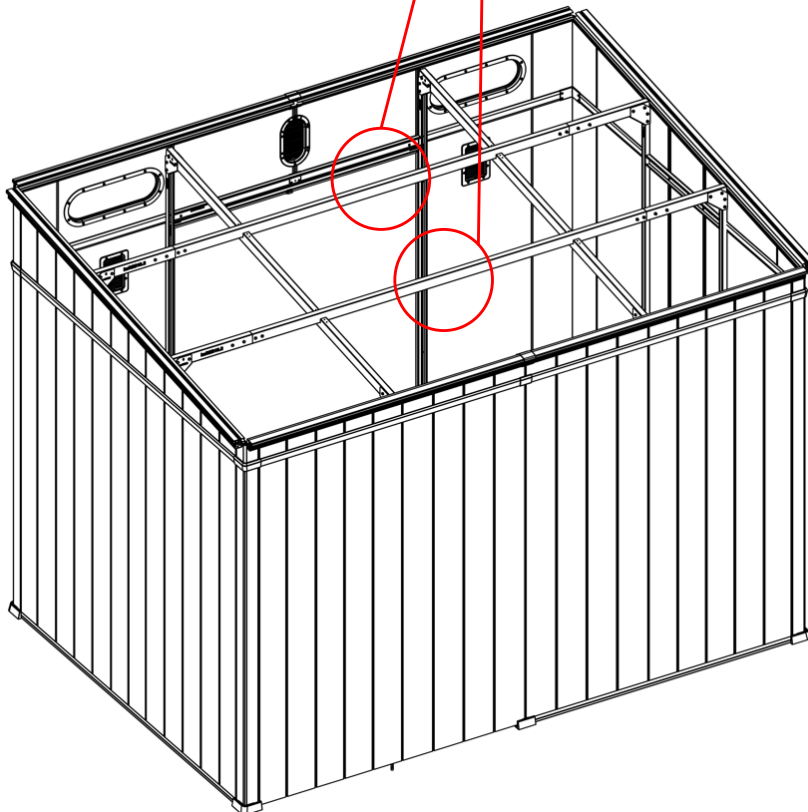
x2

# ASSEMBLY INSTRUCTIONS

32



x2



# ASSEMBLY INSTRUCTIONS

33



HD.2(kp)  
4pcs



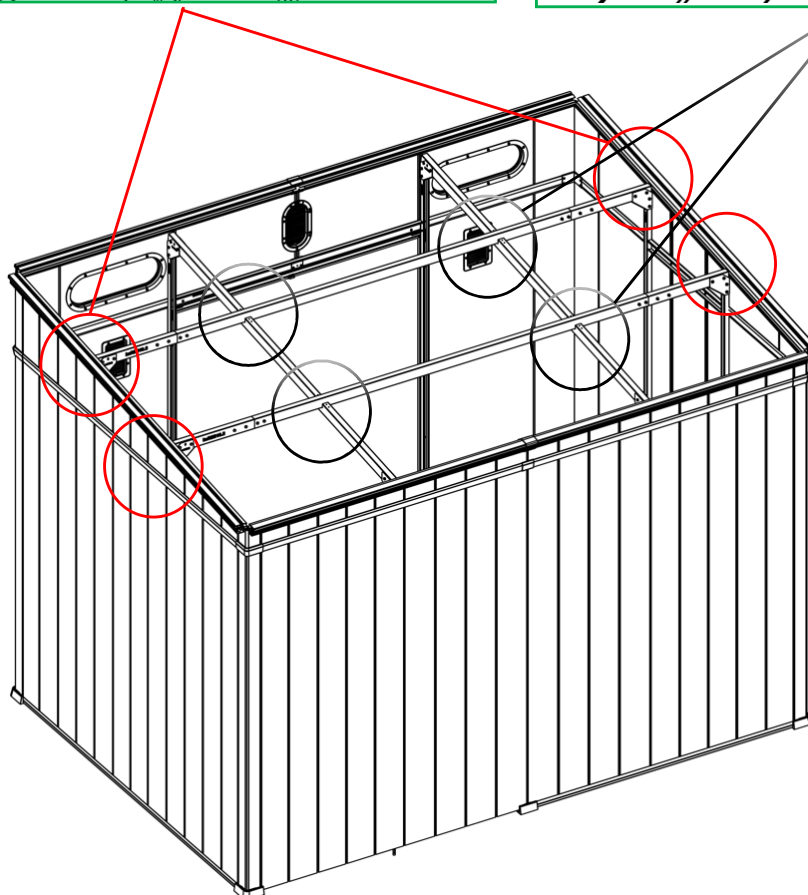
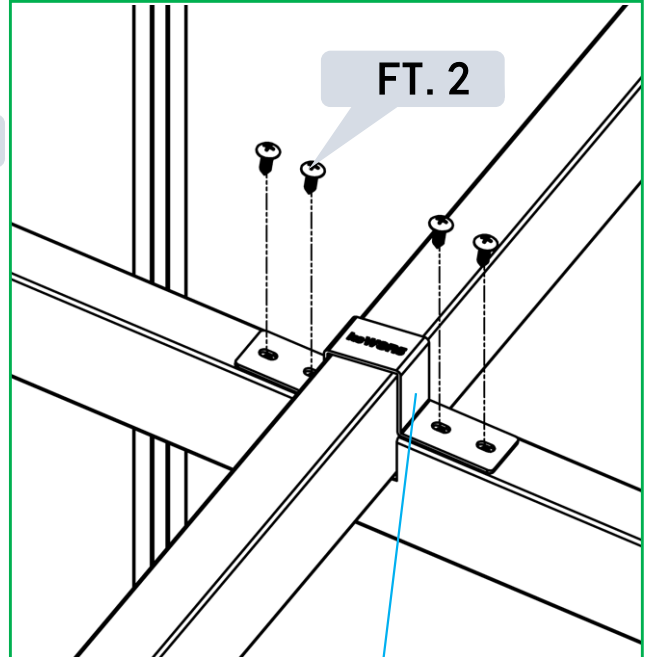
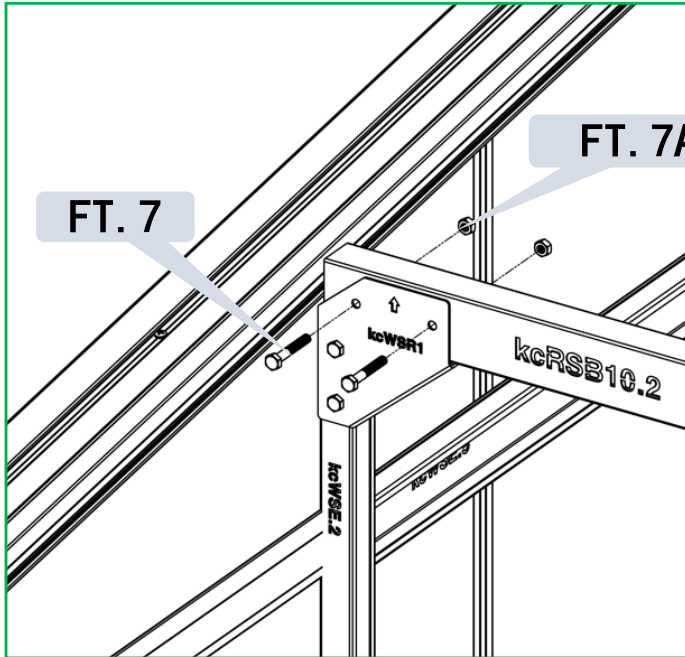
FT.2  
16pcs



FT.7  
8pcs



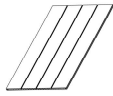
FT.7A  
8pcs



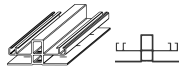
HD. 2 (kp)

x4

34



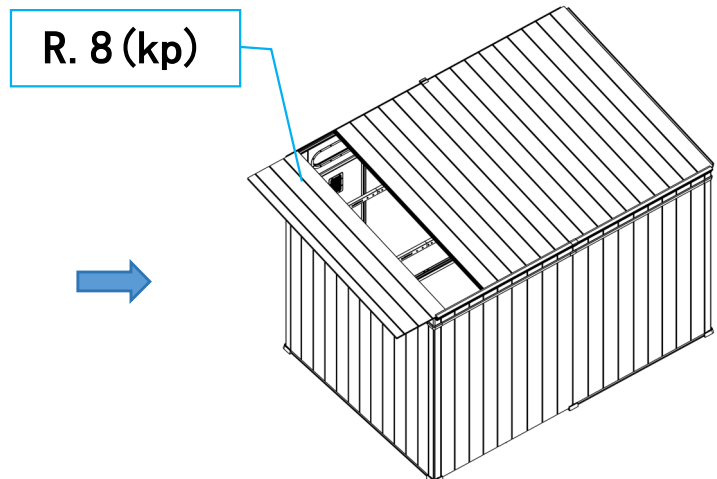
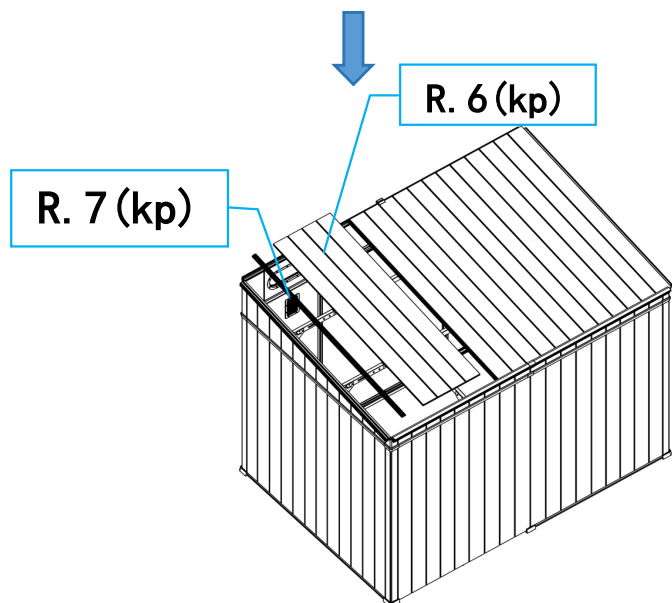
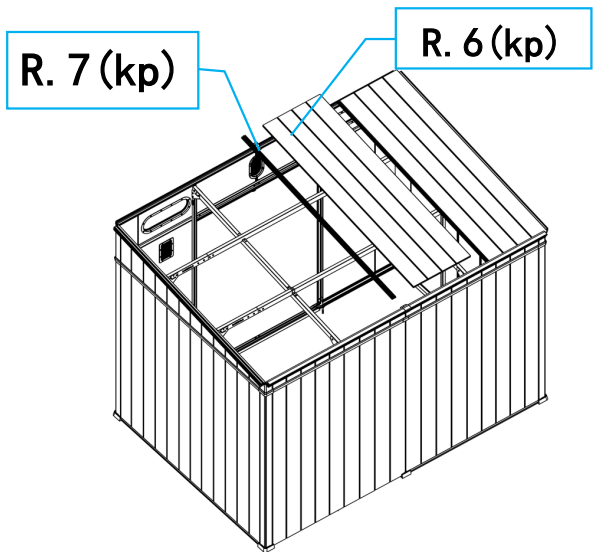
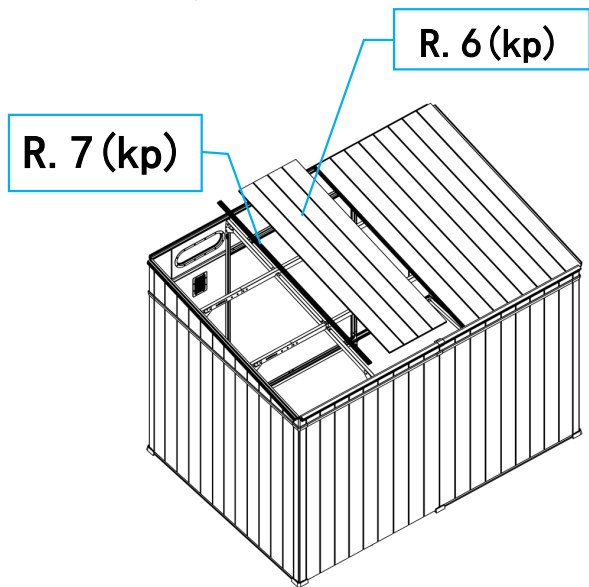
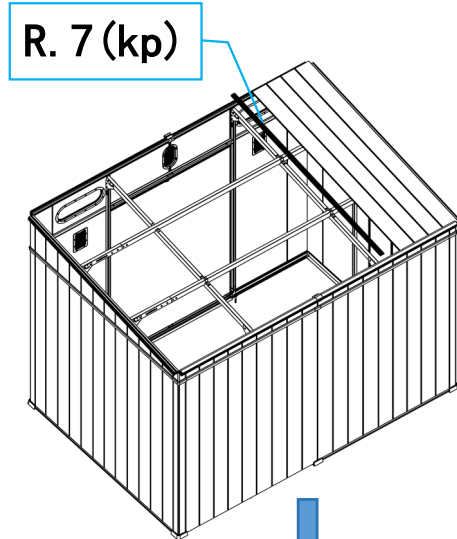
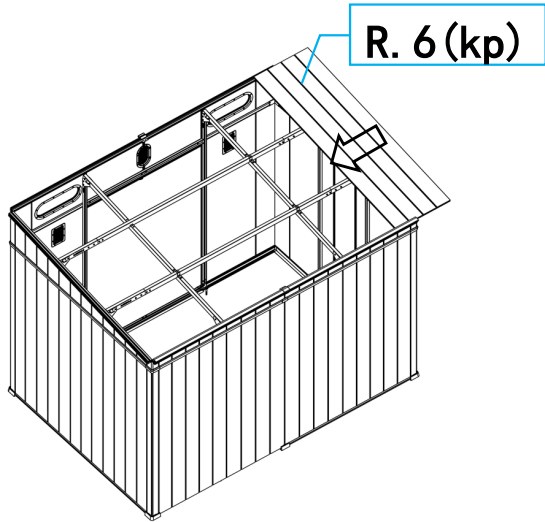
R.6(kp)  
4pcs



R.7(kp)  
4pcs

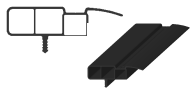


R.8(kp)  
1pcs

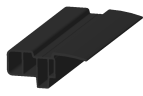


# ASSEMBLY INSTRUCTIONS

35



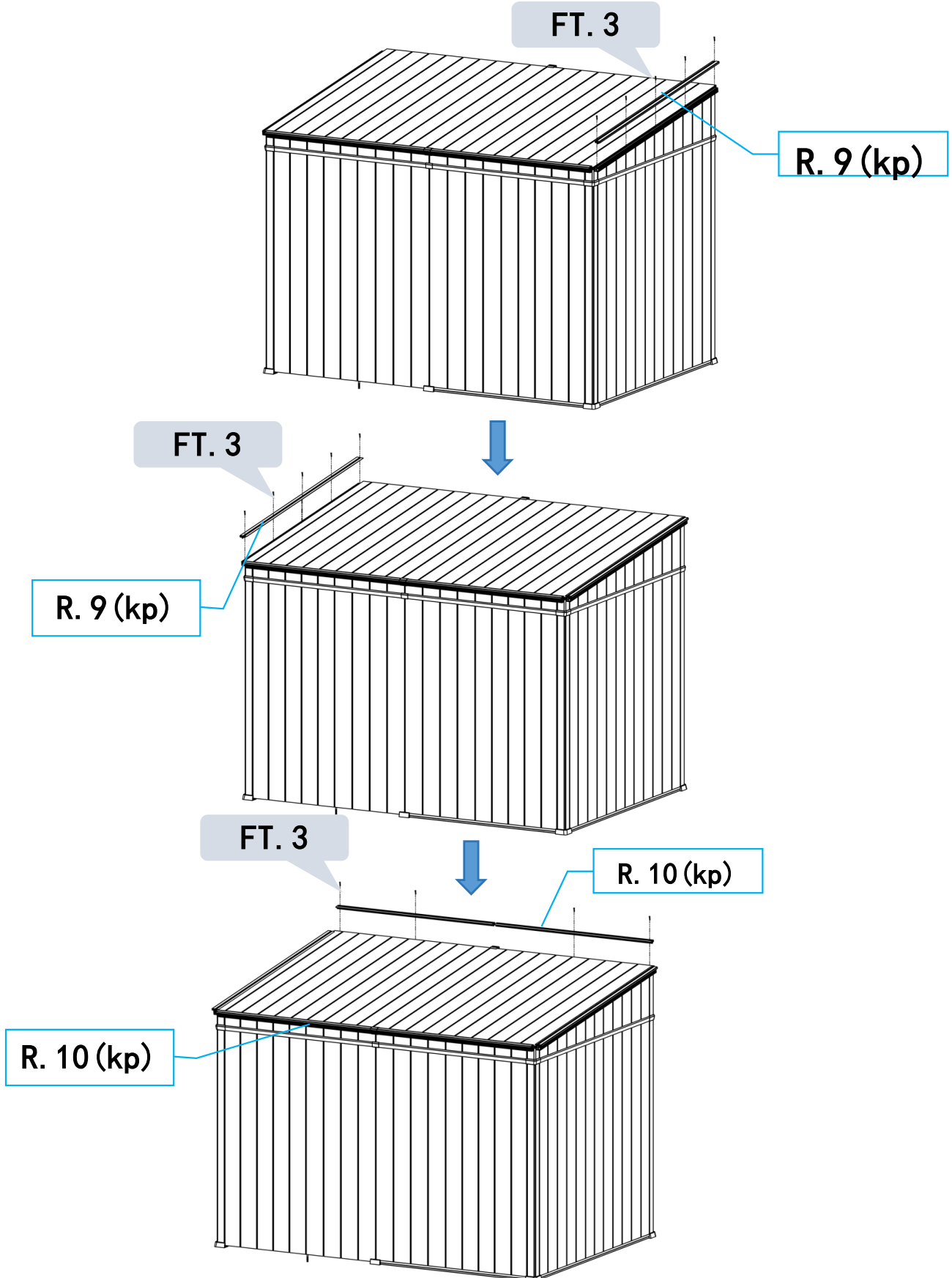
R.10(kp)  
2pcs



R.9(kp)  
2pcs



FT.3  
14pcs



# ASSEMBLY INSTRUCTIONS

36



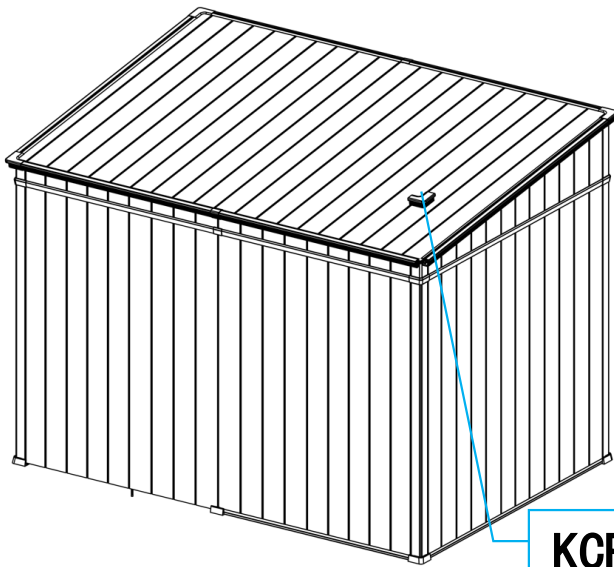
**KCRBC.L**  
2pcs



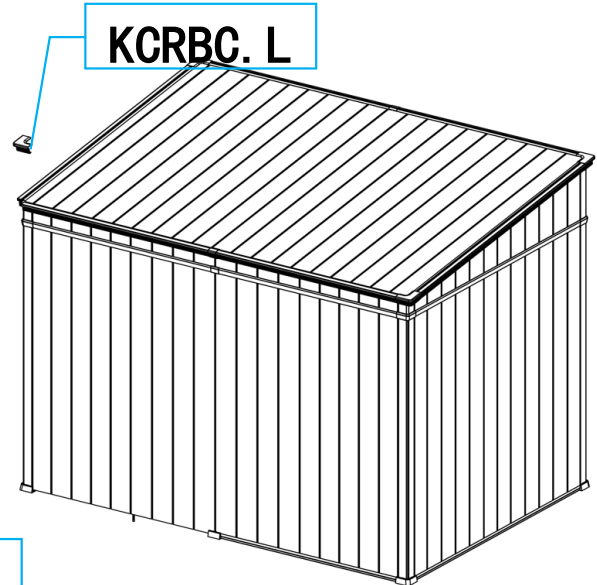
**KCRBC.R**  
2pcs



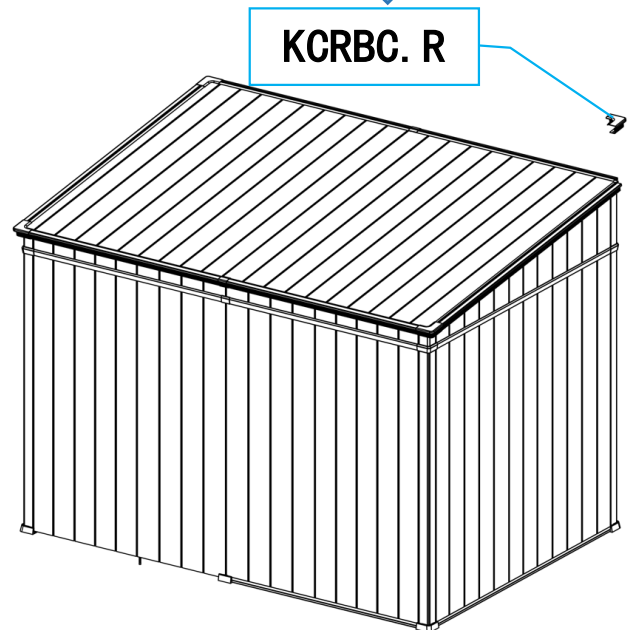
**FT.2**  
8pcs



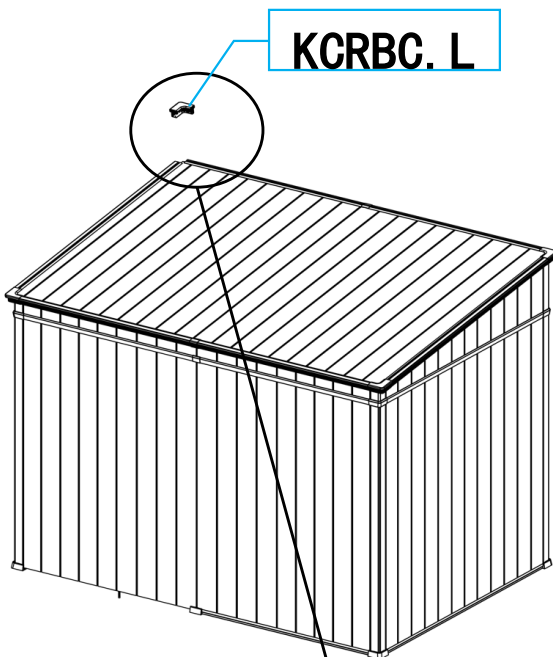
**KCRBC. R**



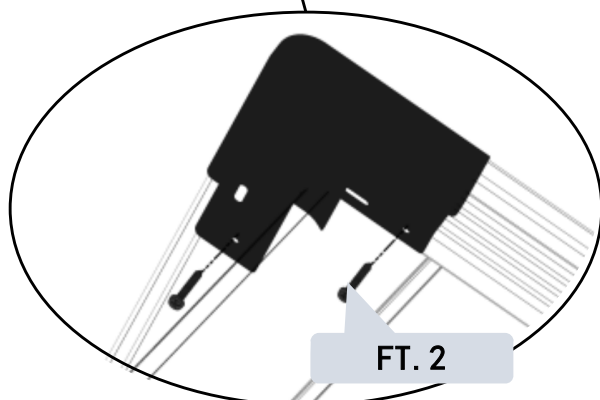
**KCRBC. L**



**KCRBC. R**



**KCRBC. L**



**FT. 2**

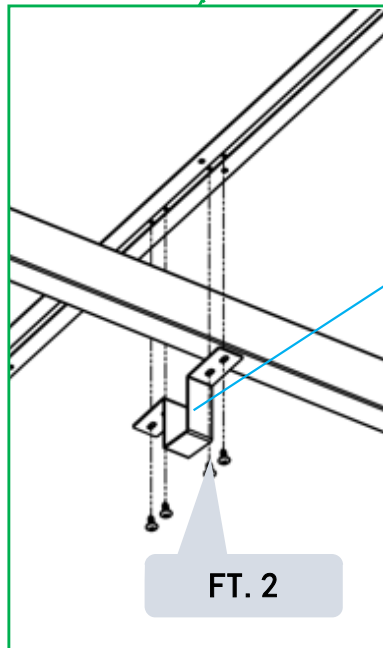
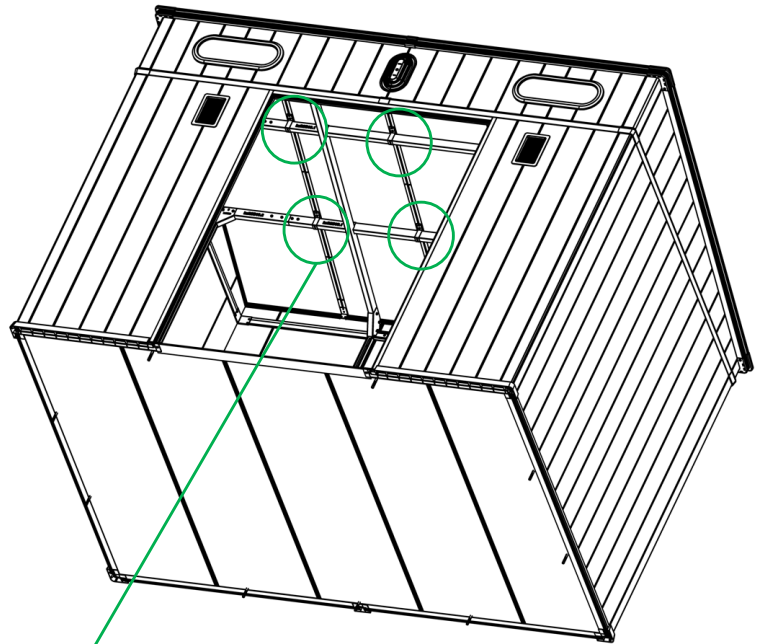
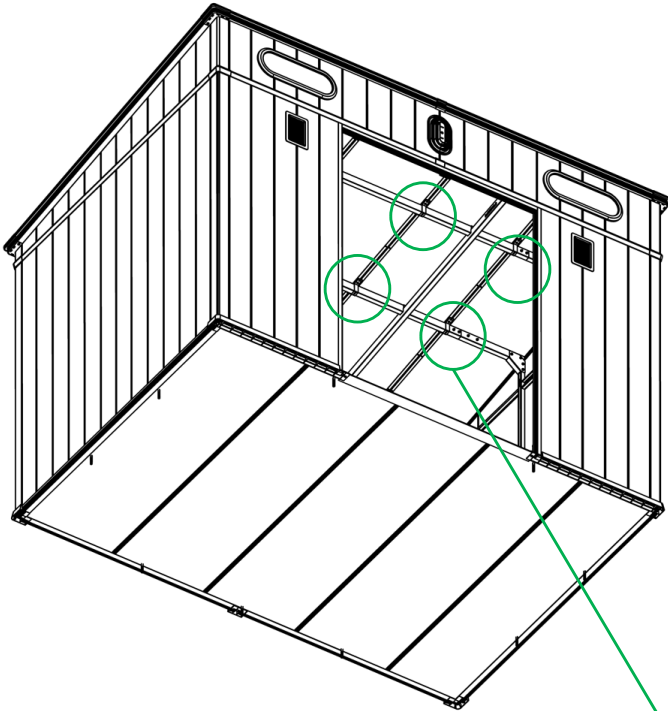
37



HD.4(kp)  
8pcs



FT.2  
32pcs



HD. 4 (kp)

FT. 2

38



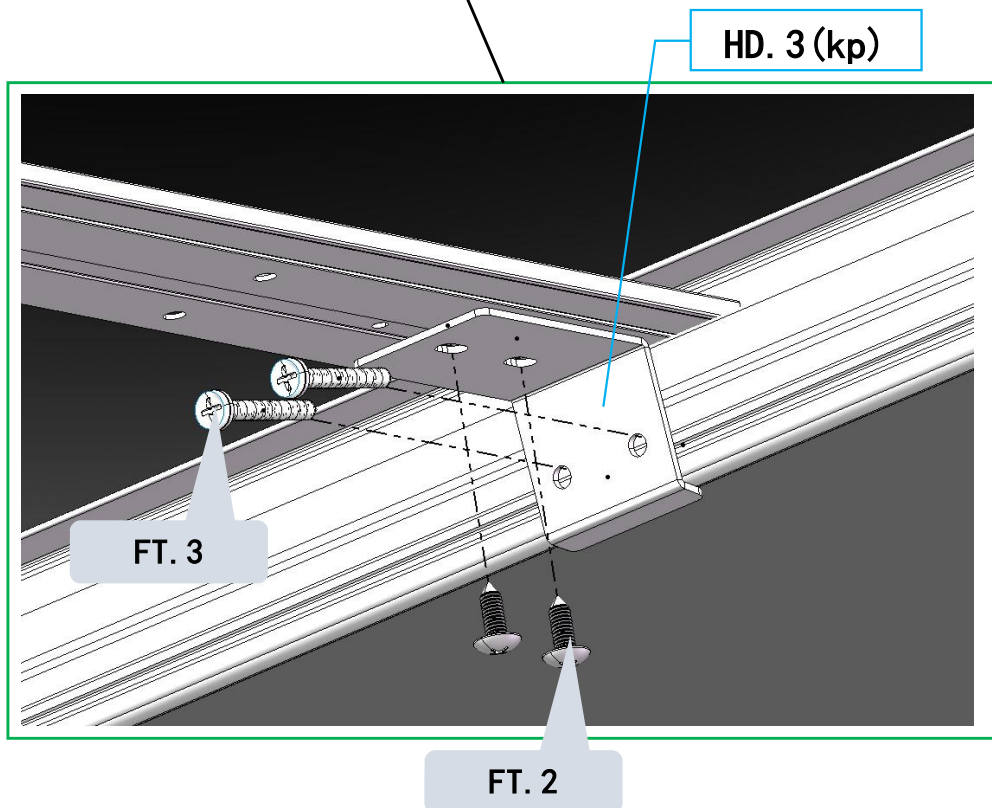
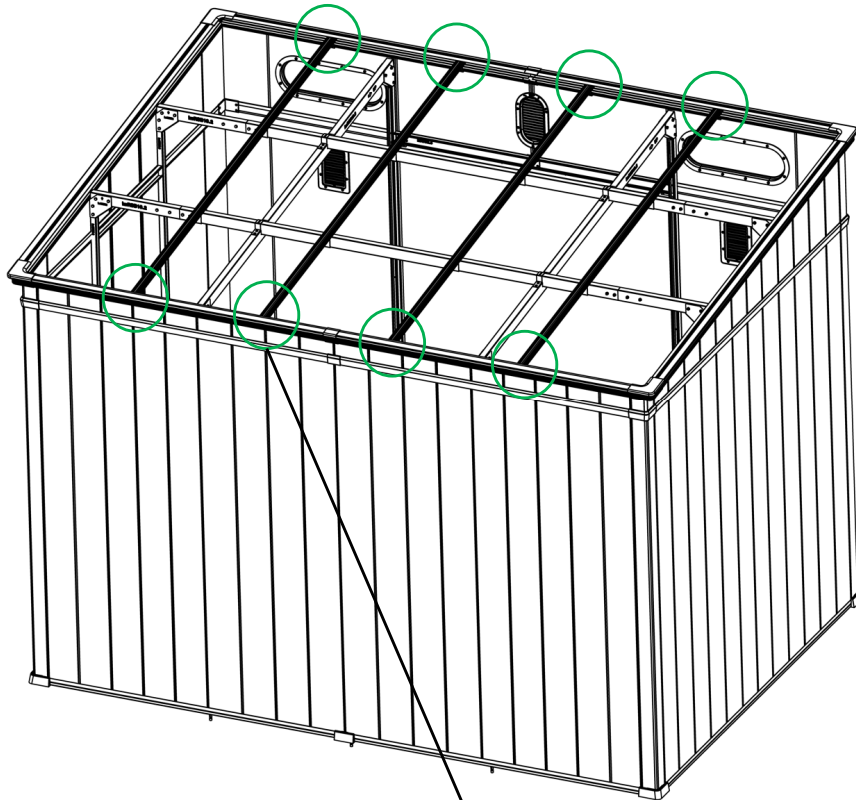
HD.3(kp)  
8pcs



FT.2  
16pcs

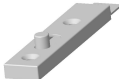






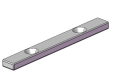


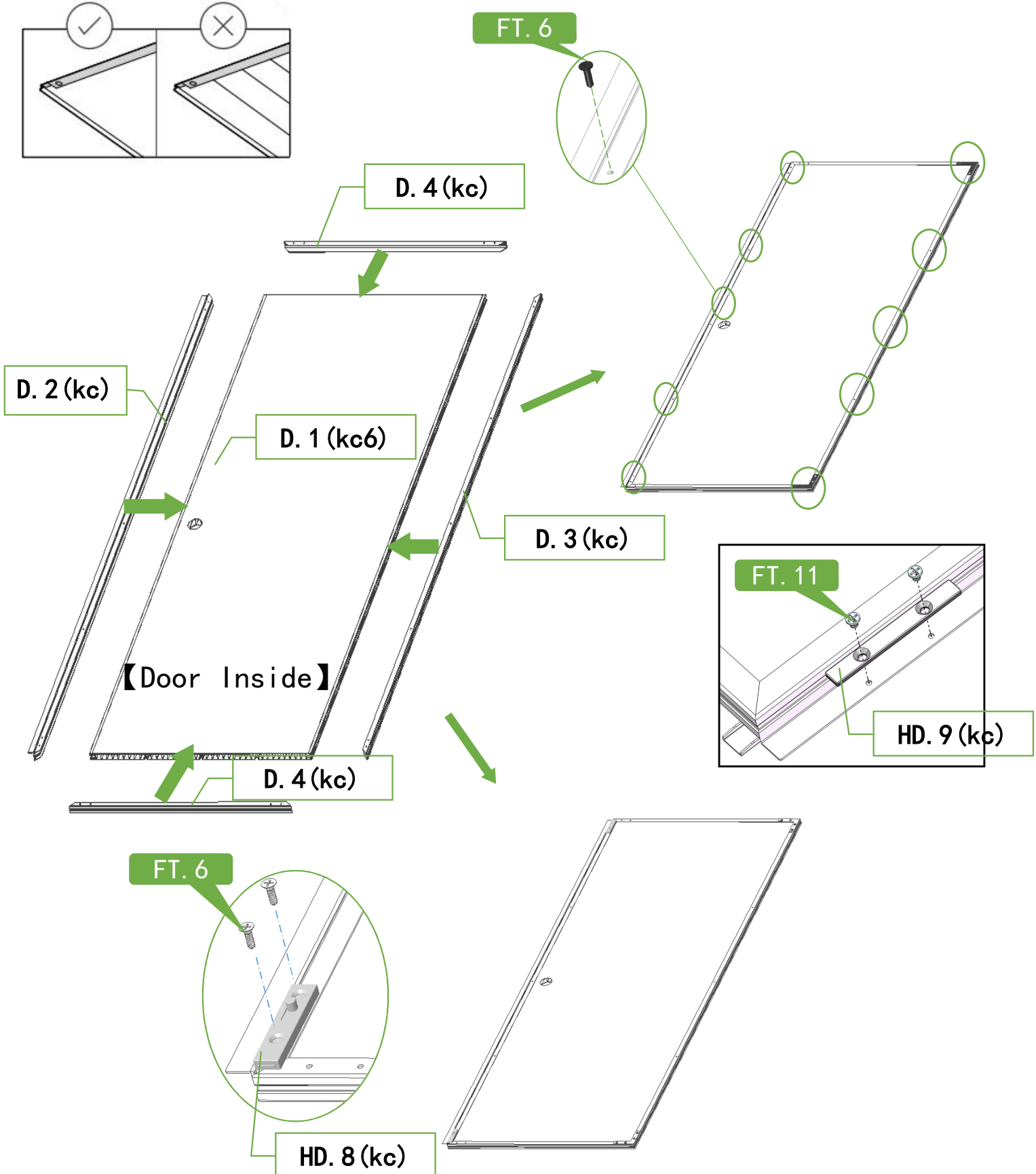
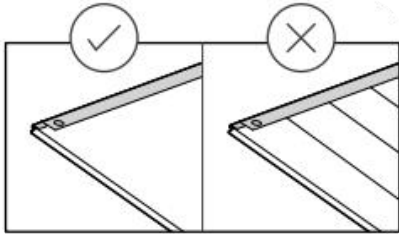
FT.3  
16pcs



# ASSEMBLY INSTRUCTIONS

39

							
HD.8(kc) 2pcs	D.1(kc6) 1pcs	D.2(kc) 1pcs	D.3(kc) 1pcs	D.4(kc) 2pcs	FT.6 20pcs	FT.11 2pcs	HD.9(kc) 1pcs



# ASSEMBLY INSTRUCTIONS

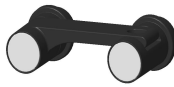
40



DH.5  
1pcs



HD.7(kc)  
2pcs



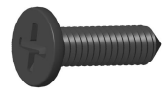
DH  
1pcs Left



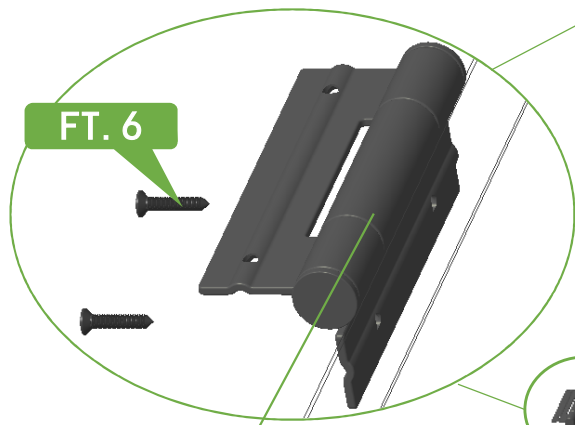
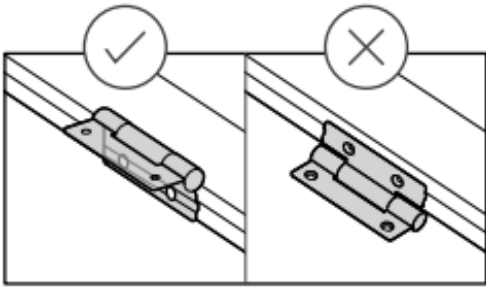
FT.3  
2pcs



FT.2  
2pcs

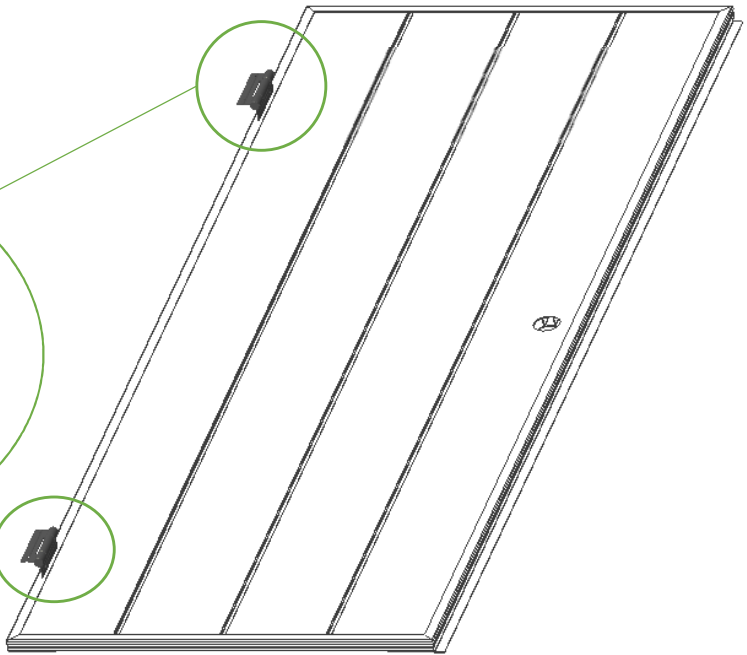


FT.6  
4pcs

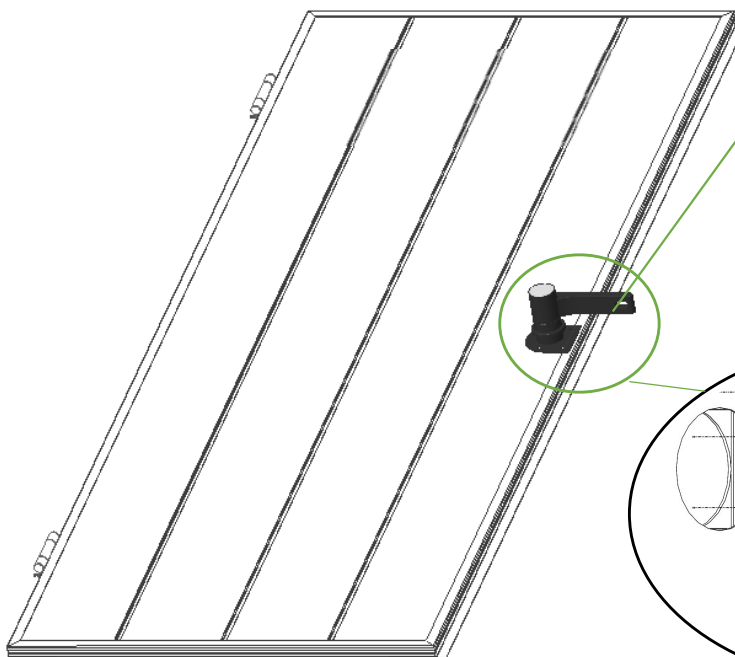


FT. 6

HD. 7 (kc)  
x2



【Door Outside】



DH

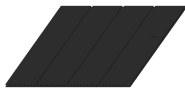
DH. 5

FT. 2 (2)

FT. 3 (2 )

# ASSEMBLY INSTRUCTIONS

# 41



D.1(kc6)  
1pcs



D.3(kc)  
2pcs



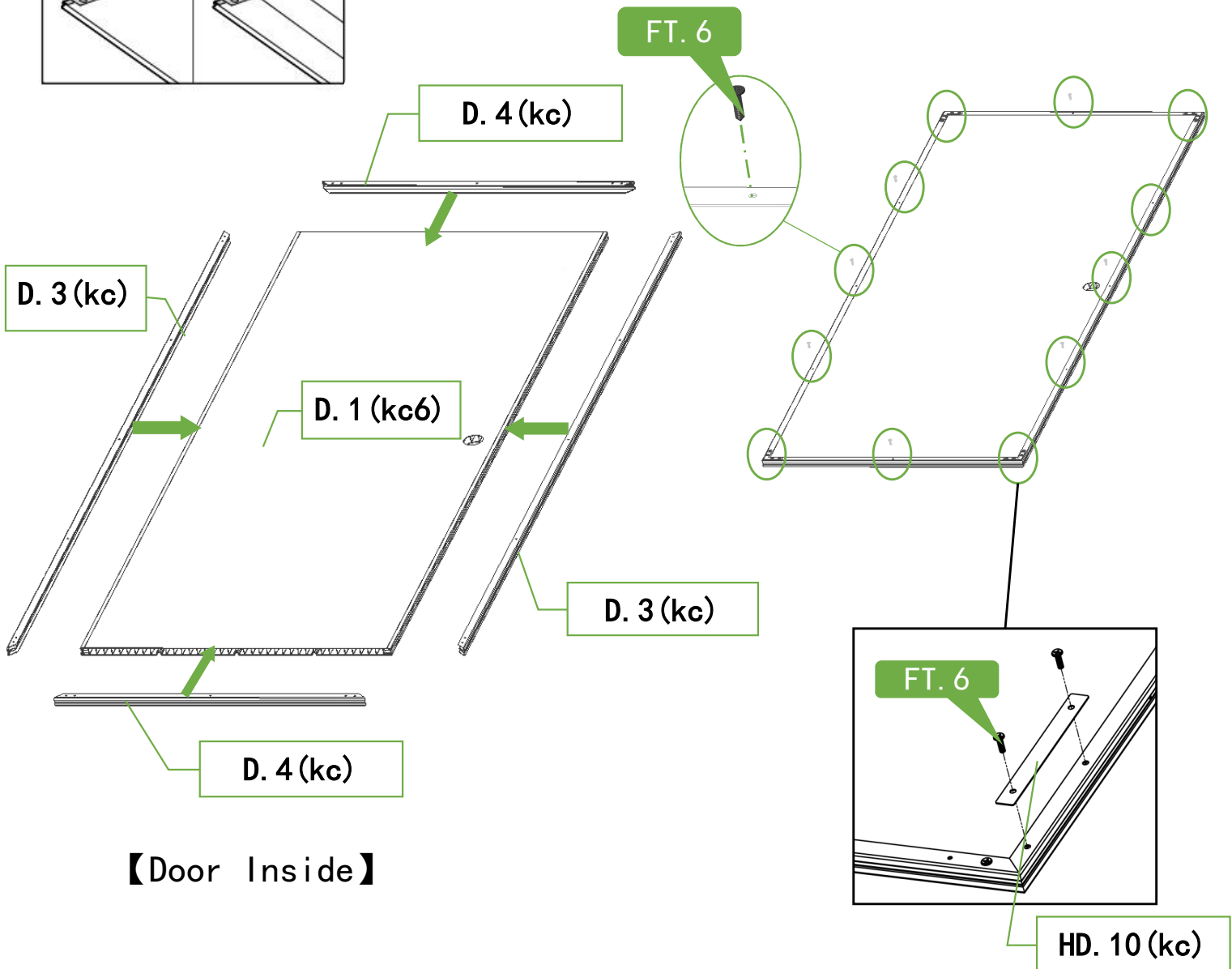
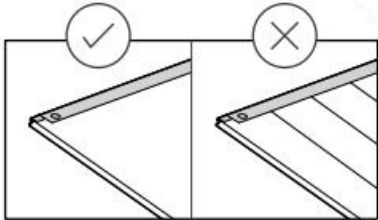
D.4(kc)  
2pcs



FT.6  
18pcs

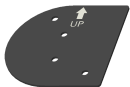


HD.10(kc)  
1pcs



# ASSEMBLY INSTRUCTIONS

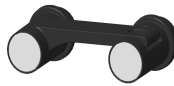
42



DH.5  
1pcs



HD.7(kc)  
2pcs



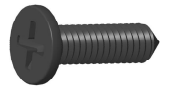
DH  
1pcs Right



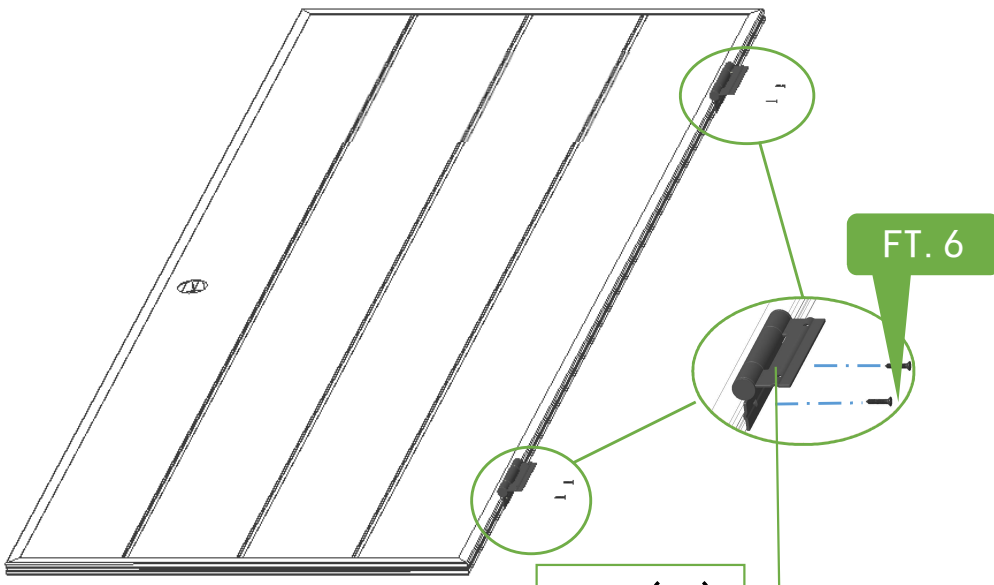
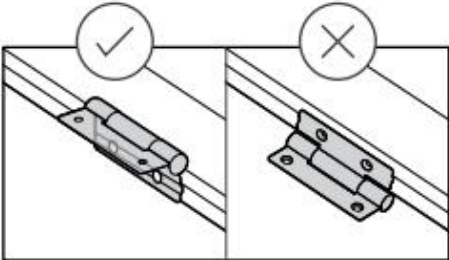
FT.3  
2pcs



FT.2  
2pcs



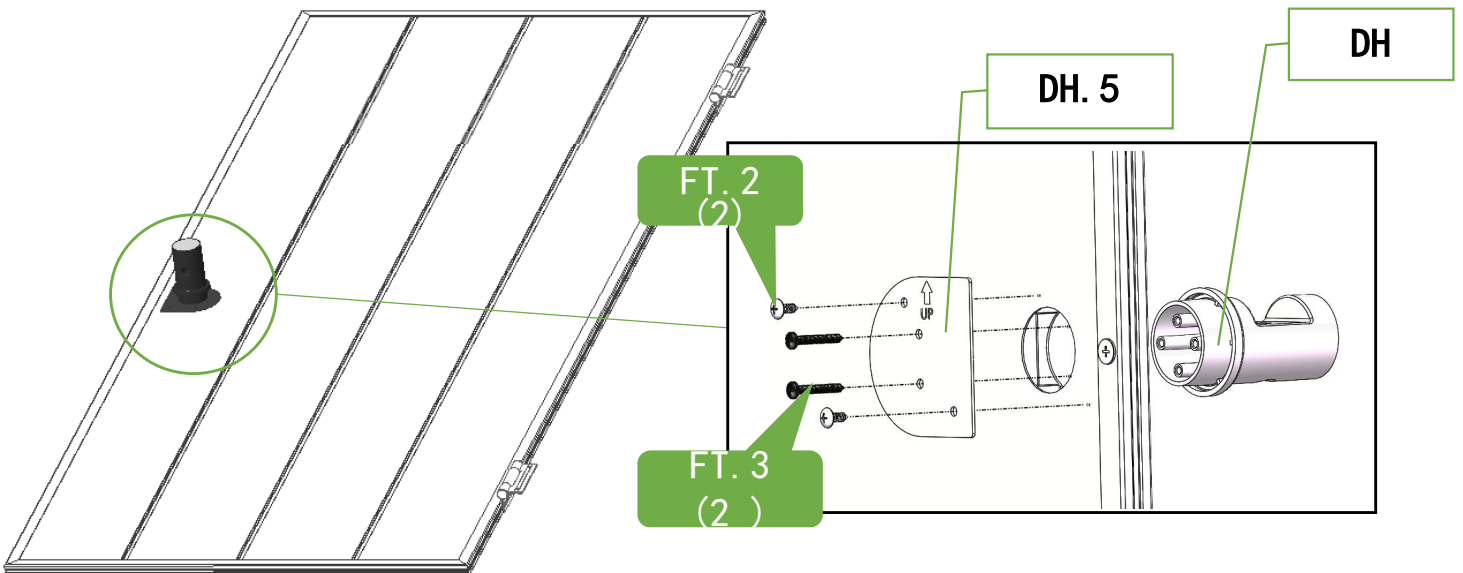
FT.6  
4pcs



HD. 7 (kc)  
x2

FT. 6

【Door Outside】



DH. 5

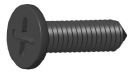
DH

FT. 2  
(2)

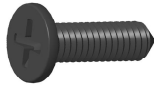
FT. 3  
(2)

# ASSEMBLY INSTRUCTIONS

43



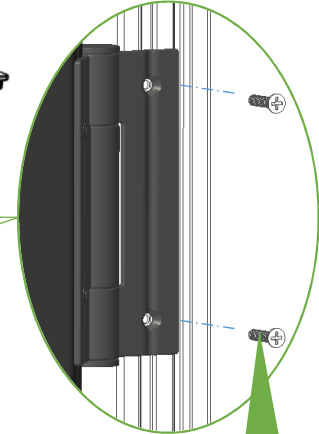
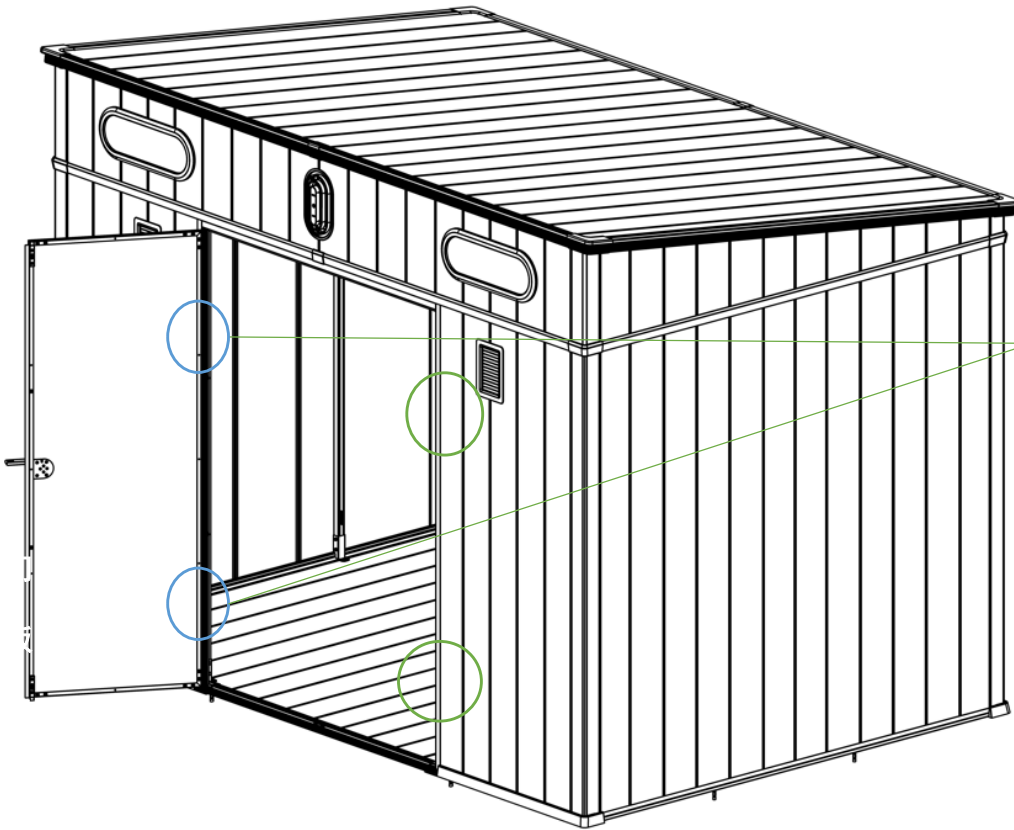
FT.6  
8pcs



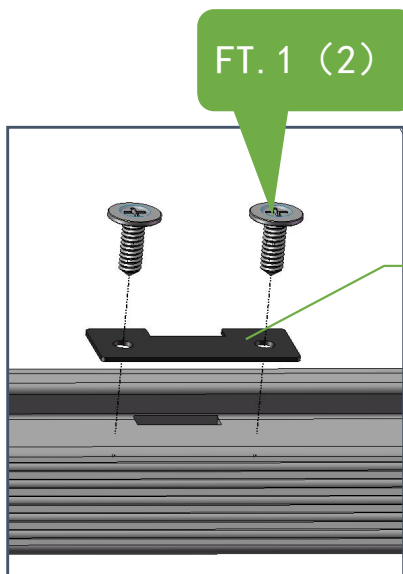
FT.1  
2pcs



F.19(kc)  
1pcs

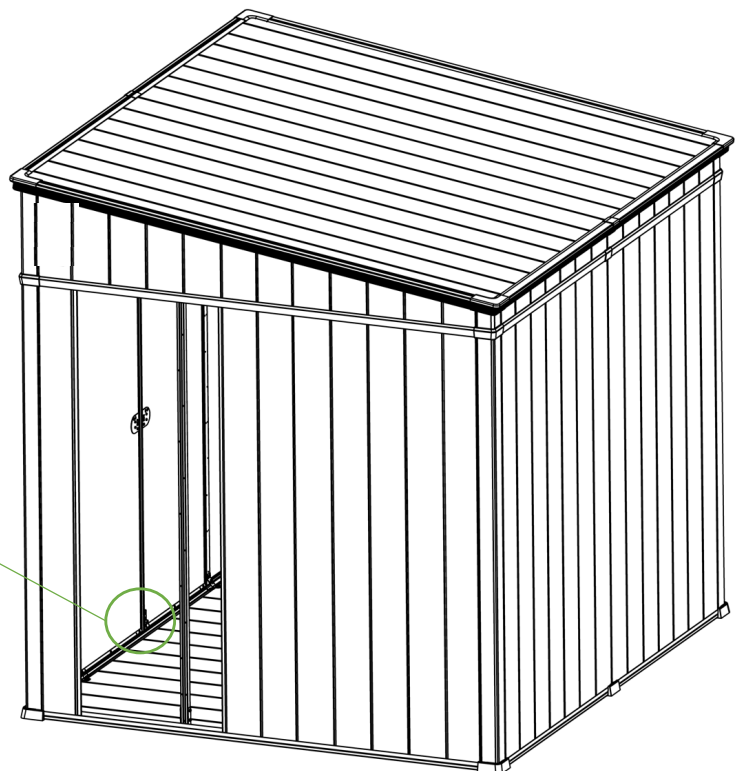


FT. 6 (4)



FT. 1 (2)

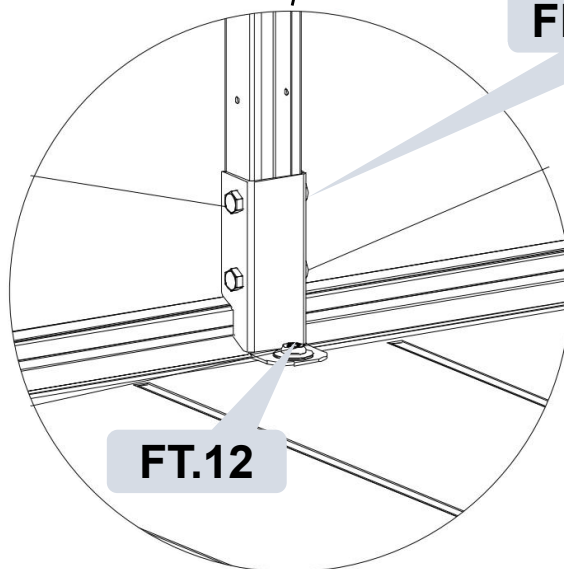
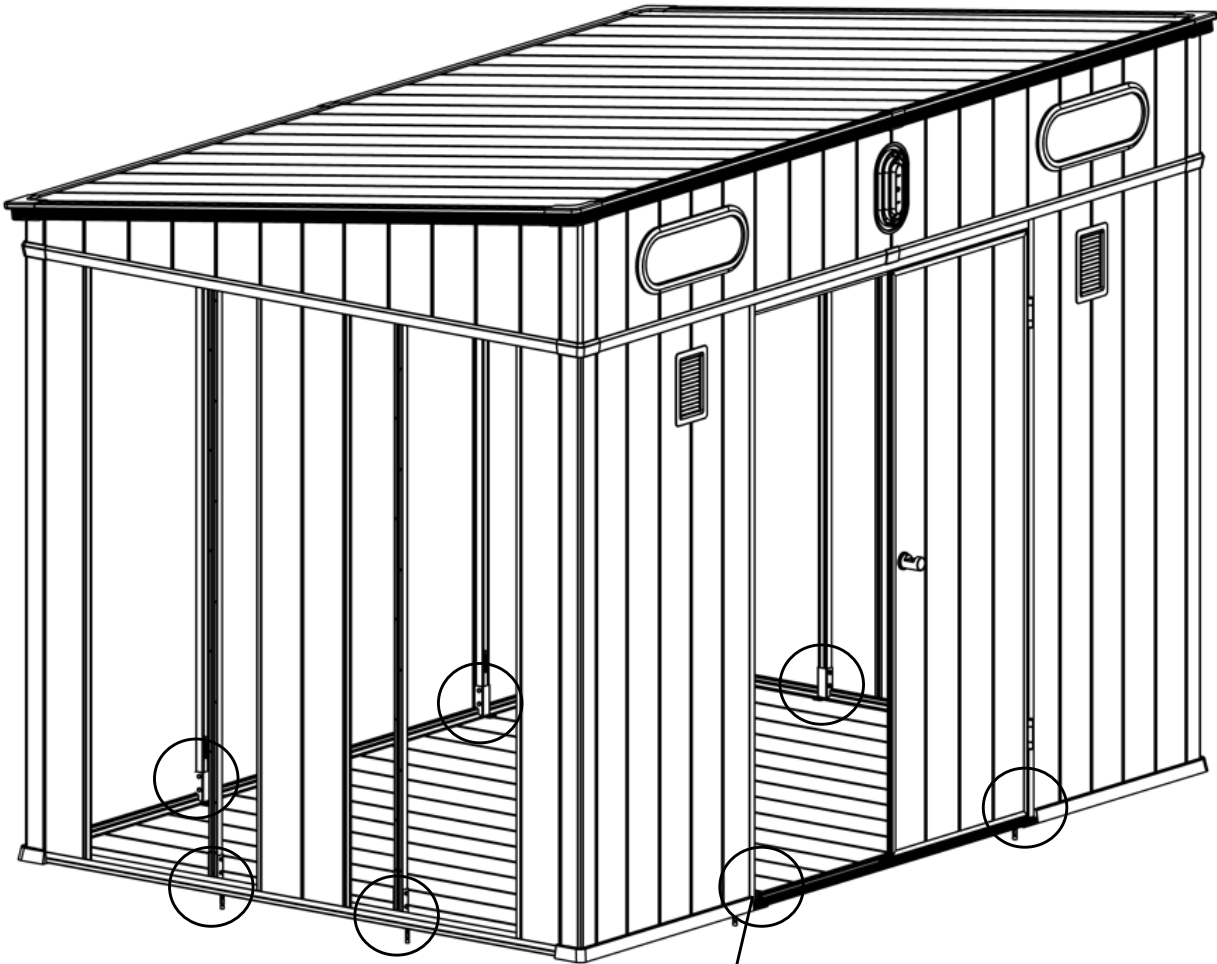
F. 19 (kc)



44



FT.12  
8pcs



FR.14(kc)

FT.12