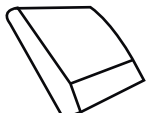

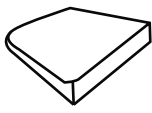



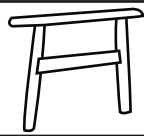

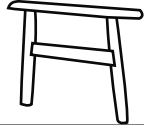



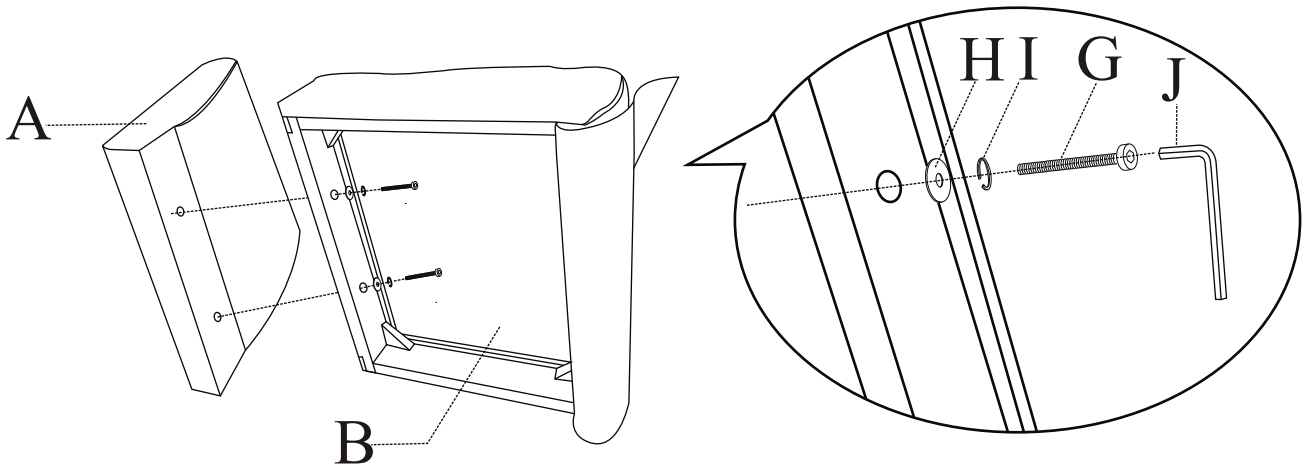


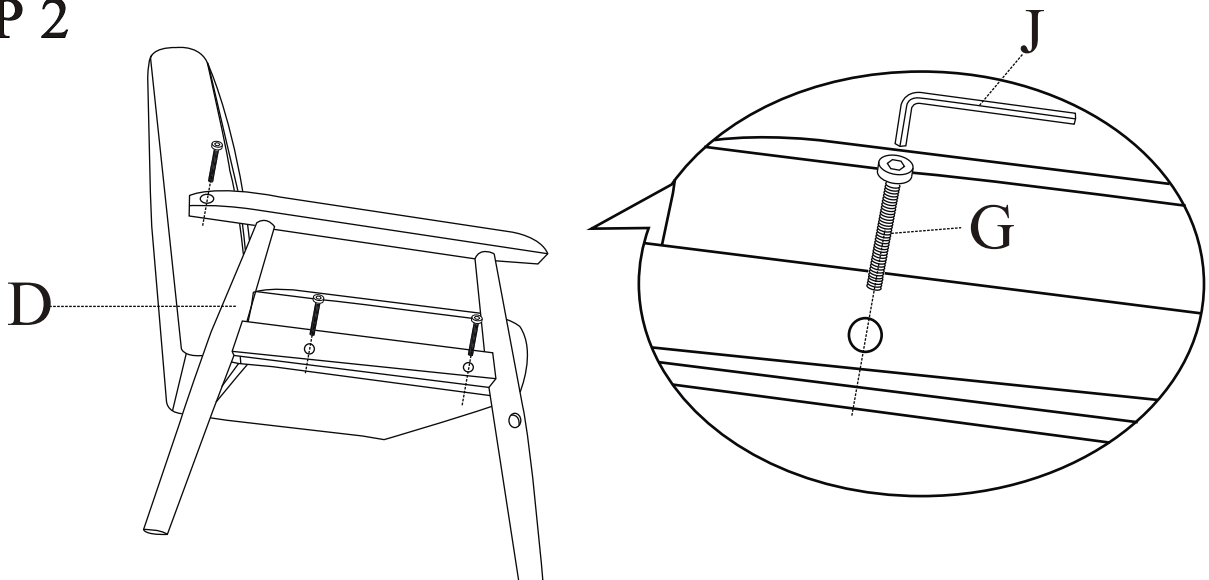
ASSEMBLY INSTRUCTION

NO.	SKETCH	DESCRIPTION	QTY	NO.	SKETCH	DESCRIPTION	QTY
A		BACK	1	F		BOLT 1/4*80mm	2
B		SEAT	1	G		BOLT 1/4*60mm	8
C		STRETCHER	1	H		WASHER	2
D		LEFT ARM	1	I		SPRING WASHER	2
E		RIGHT ARM	1	J		ALLEN WRENCH	1
				K		BARREL NUT	2
				L		CAP	8

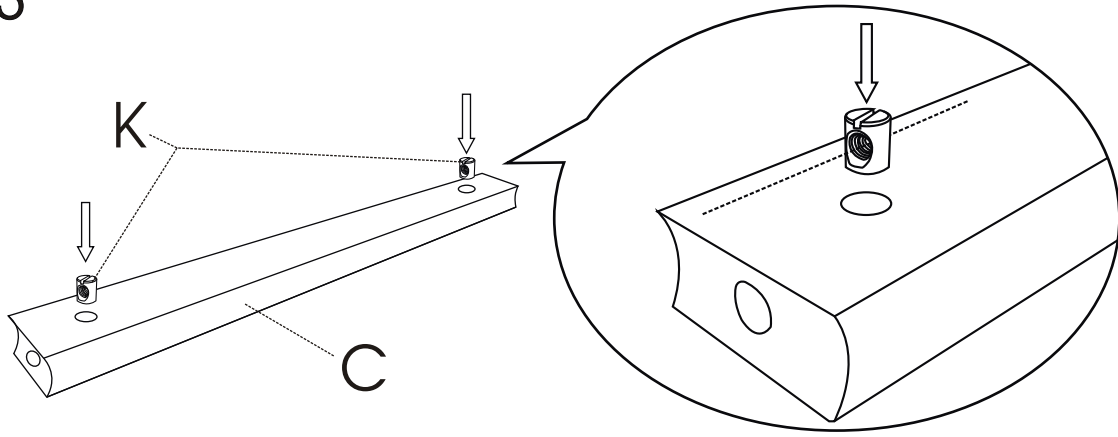
STEP 1



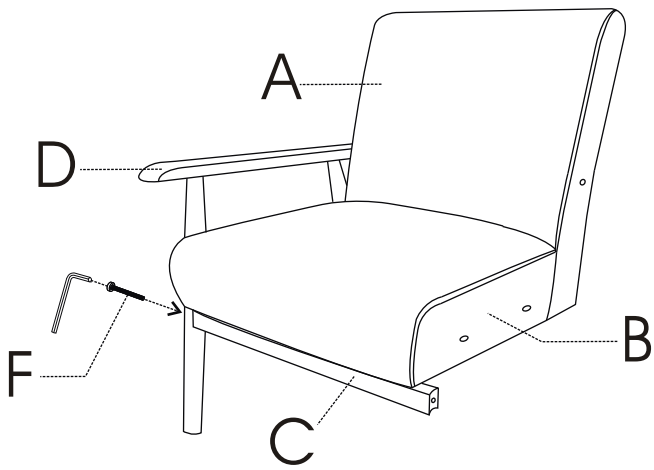
STEP 2



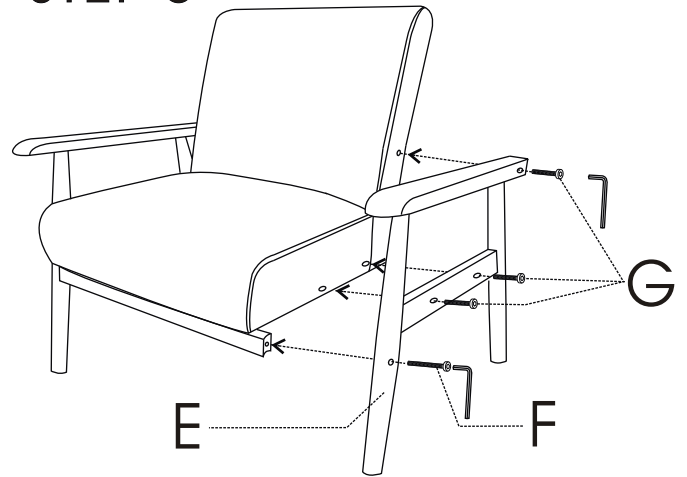
STEP 3



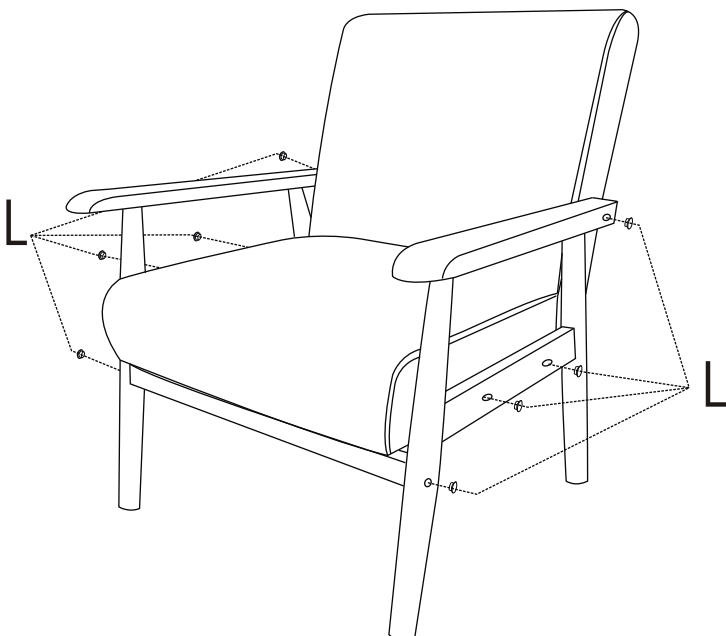
STEP 4



STEP 5



STEP 6



STEP 7

