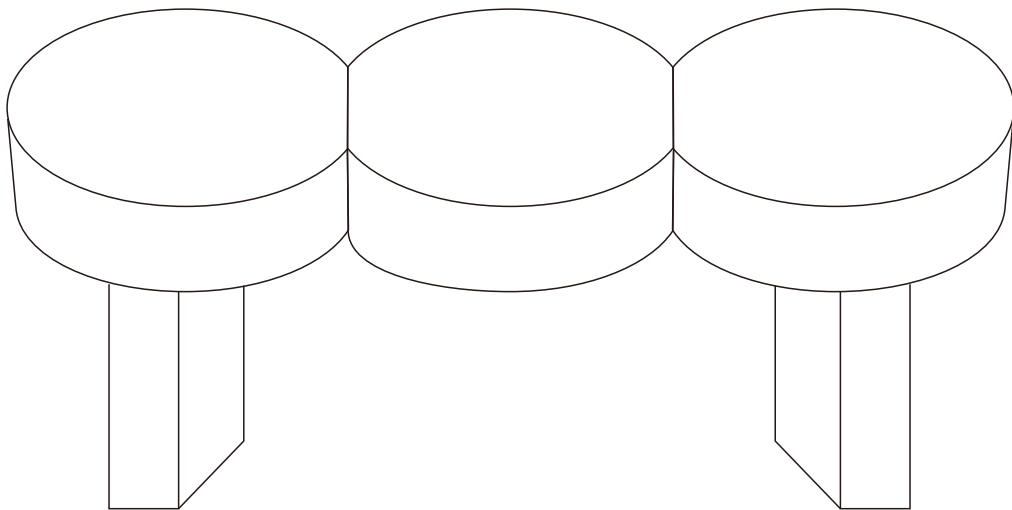


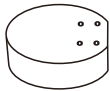
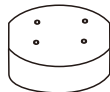

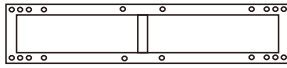
Assembly Instruction







ASSEMBLY TIPS:

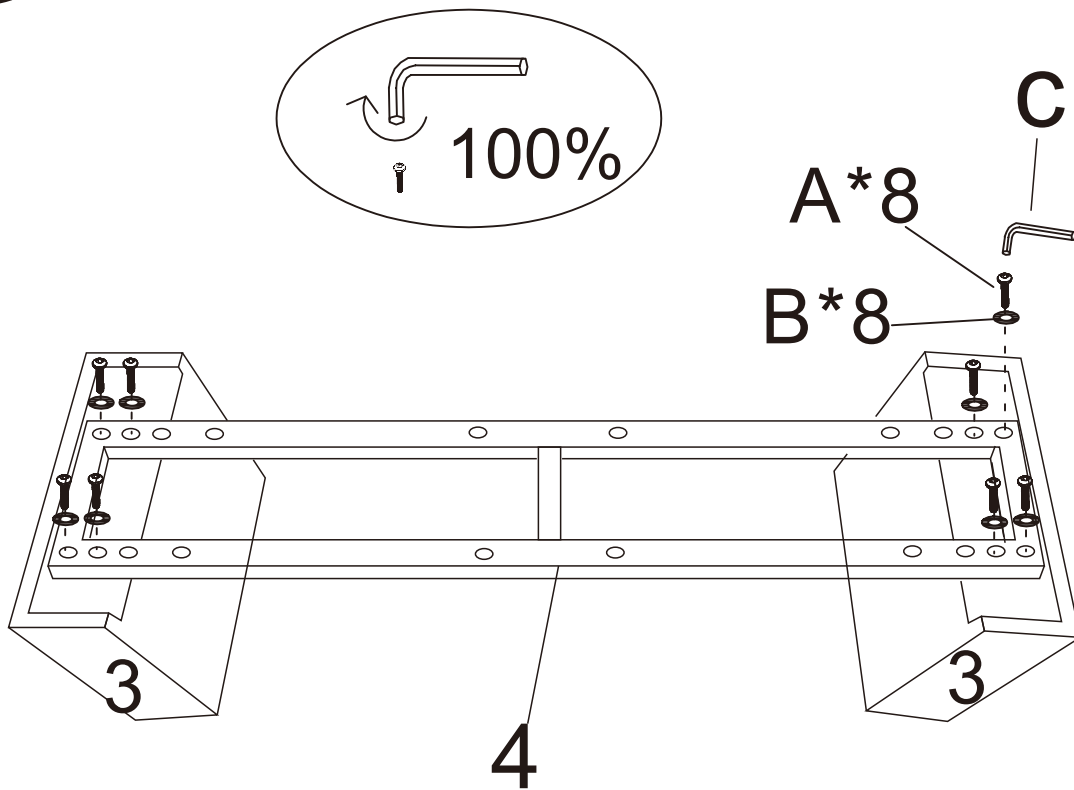
1. Remove hardware from box and sort by size.
2. Please check to see that all hardware and parts are present prior to start of assembly.
3. Please follow attached instructions in the same sequence as numbered to assure fast & easy assembly.

Parts List

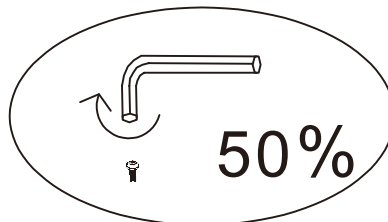
Number	Name	Part	Qty
1	Seat-A		x2PC
2	Seat-B		x1PC
3	Leg		x2PC
4	Iron frame		x1PC

Number	Hardware	Part	Qty
A	M6*45mm		x20+1EXT
B	Washer		x20+1EXT
C	Allen Wrench		x1PC
D	Felt pad		x4 +1EXT

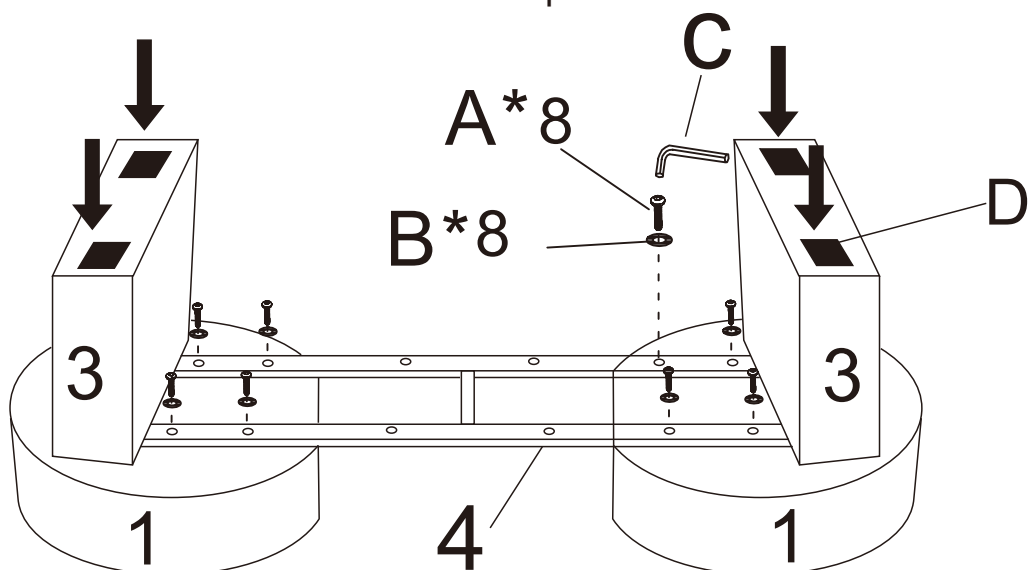
1



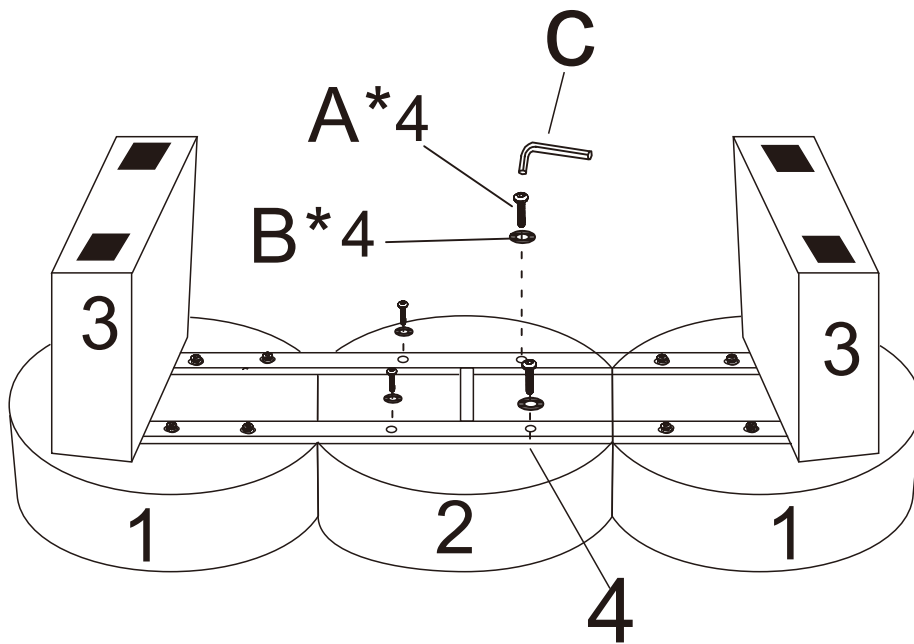
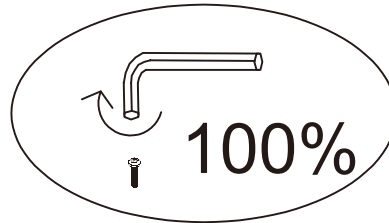
2



Take out the two seat pads, first assemble the sides with 50% of the force, and then assemble the middle seat pad.



3



Adjust the distance between the cushions.
Fasten all screws, including step 1 and step 2.

Additional Note About Safety: Bolts may loosen during normal everyday use. They should be periodically inspected and tightened to prevent damage or injury. Always check to be sure that all hardware is kept tightened.
Thank you for your purchase.