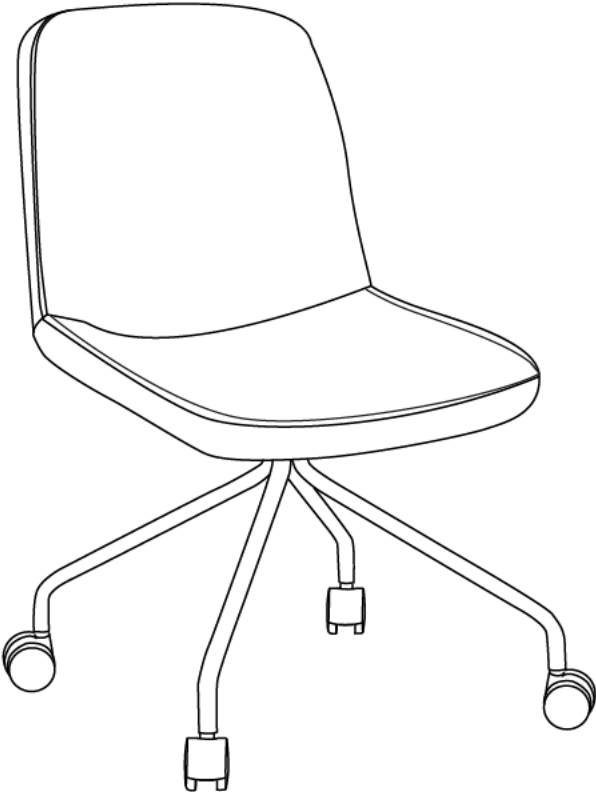


Modern Rolling Office Chair



> > assembly instructions

## **Congratulations on your latest purchase.**

Now what? Don't start sweating over this box of parts. This will be easy. We did the hard work for you. All you need to do is follow our simple instructions and you'll be on your way to transforming your room in no time. Good luck — though we're confident you won't need it.

### **assembly tips :**

1. Remove hardware from box and sort by size.
2. Please check to see that all hardware and parts are present prior to start of assembly.
3. Please follow attached instructions in the same sequence as numbered to ensure fast & easy assembly.

### **warning :**

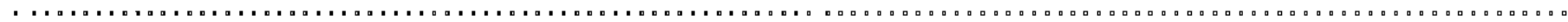
1. Do not attempt to repair or modify parts that are broken or defective.
2. This product is for home use only and not intended for commercial use.

## table of contents

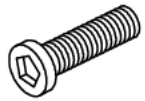
---

introduction	2
hardware	4
parts list	5
assembly	6

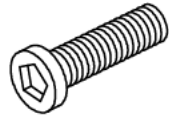
hardware



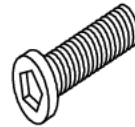
(H1)x2  
bolt(M6X20MM)



(H2)x2  
bolt(M6X30 MM)



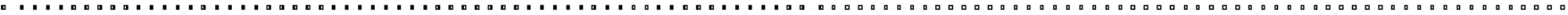
(H3)x 4  
bolt(M8X25MM)

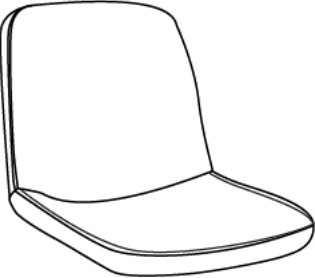
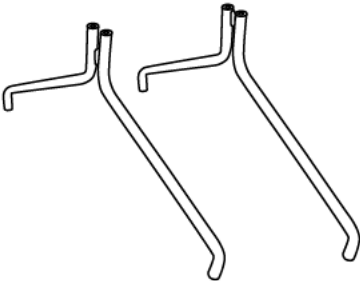
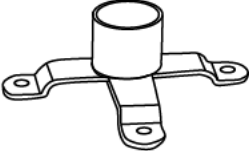
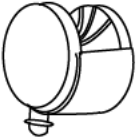


(H6)x1  
hex wrench(M6)



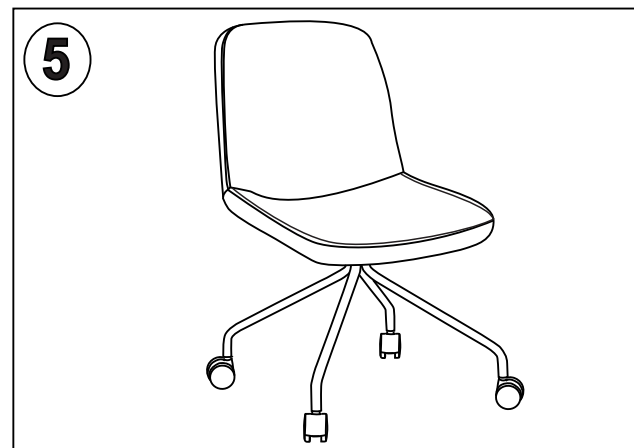
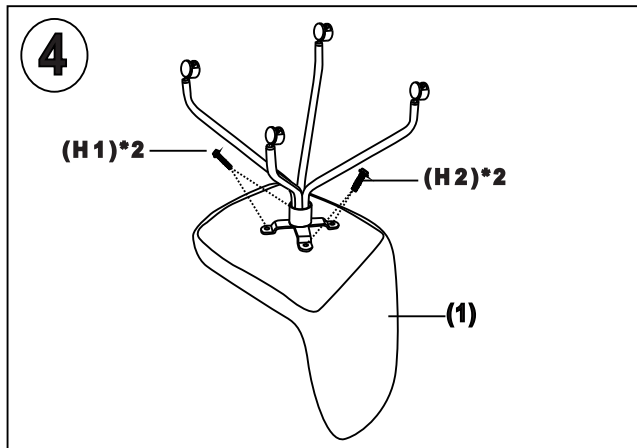
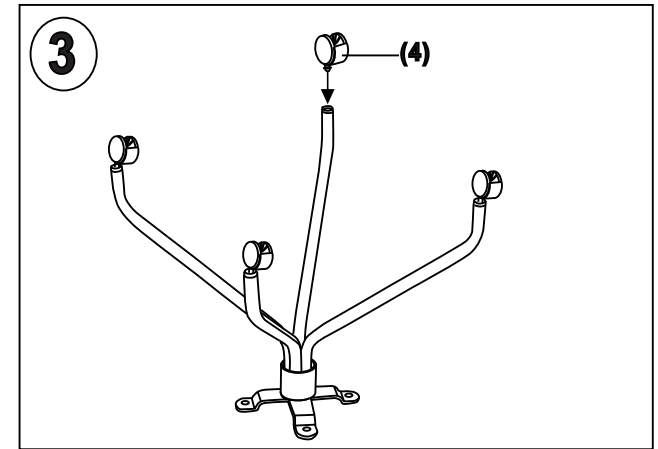
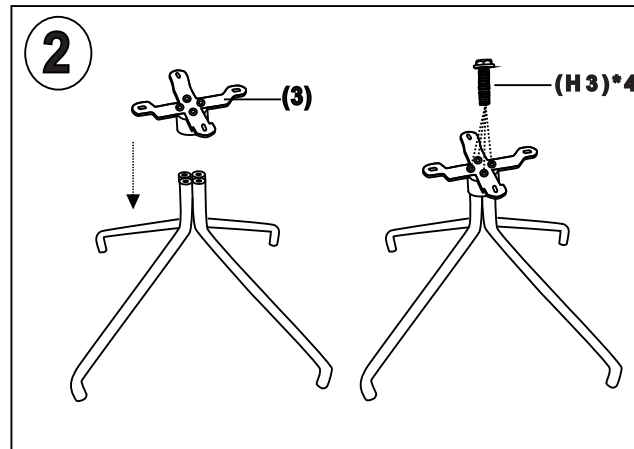
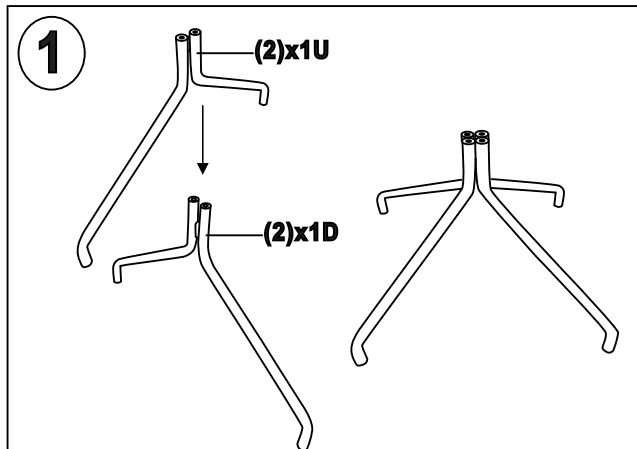
# PART LIST



<p><b>(1)x1</b></p> 	<p><b>(2)x1pair</b></p> 
<p><b>(3)x1</b></p> 	<p><b>(4)x4</b></p> 

# ASSEMBLY INSTRUCTIONS

---



Additional note about safety: Legs may loosen during normal everyday use. They should be periodically inspected and re-tightened to prevent damage or injury. Always check to be sure that all legs are kept tightened.