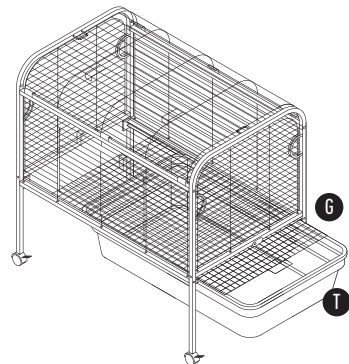


5

**Install the grille and tray:** Rotate the windbell lock out of the way, and slide the **removable grill (G)** (top track) and **plastic tray (T)** (bottom track) into place.



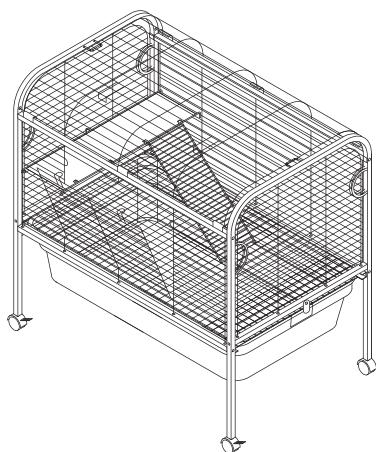
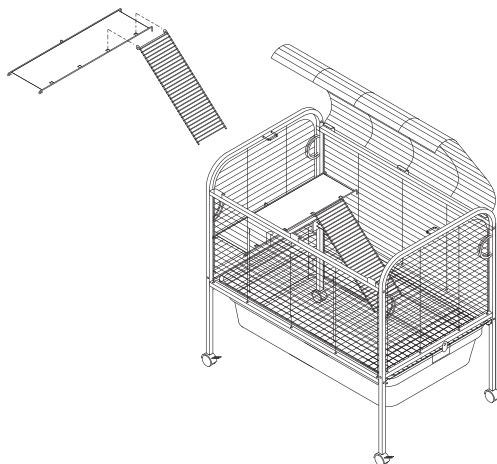
6

**Install the platform and ramp:**

**PLATFORM:** Front, back and side edges of the platform all have hooks that rest on horizontal cage mesh wires. The interior edge has holes for attachment of the ramp.

**RAMPS:** 'U' hooks along the top edge link into holes along the platform's interior edge. 'L' hooks along the bottom edge rest on floor grille.

Hook **ramp 'U'** hooks into holes along platform's cage interior edge. With ramp attached to platform, position **platform** on seventh vertical wire up from bottom, making sure all platform hooks catch on horizontal cage mesh wires for stability.



☆ Your cage is now fully assembled!

# cage assembly instructions

Small Animal Cage

cage: 32½" L × 21⅝" W × 33" H  
 interior, with grill: 31½" L × 20⅞" W × 17¾" H  
 interior, without grill: 31½" L × 20⅞" W × 24¾" H  
 wire gauge: 8 & 12 wire spacing: 1"

## getting started!

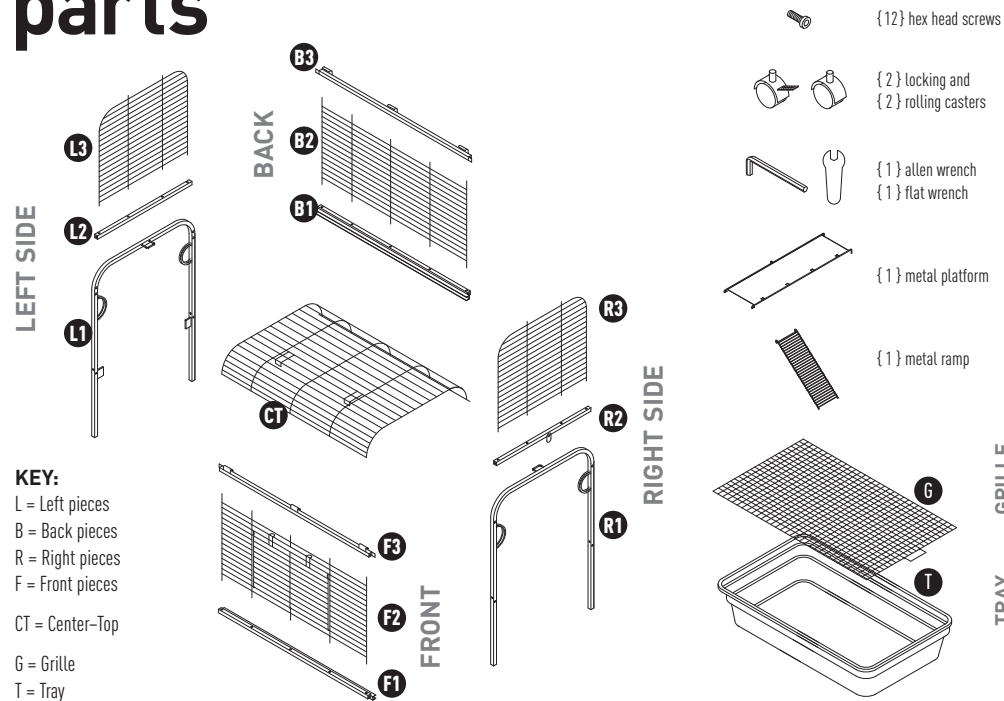
READ THESE NOTES FIRST:

- **Count Hardware and Review All Parts:** Usually, extra screws are included. If the screw count is short, or if any parts have been damaged during shipping, please contact Customer Service.
- **Tools:** An allen wrench and flat wrench are included. You may want to use your own hand tools but **we do NOT recommend power**

**drills!** Parts can be over-tightened and damaged/stripped.

Review these instructions thoroughly before attempting to assemble cage. If you still require assistance, please contact Customer Service

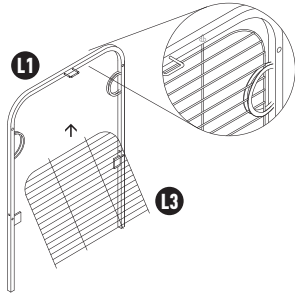
## parts



# steps

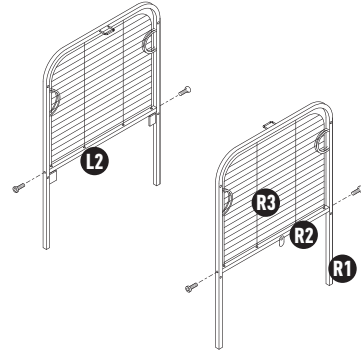
## 1a

**Assemble the side panels:** Starting with the left side panel, slide the **panel mesh (L3)** into the **left side frame (L1)**, trapping the mesh between the pairs of "C" wires on the frame legs. At the top of the mesh, wires extend above the top of the panel. Align extended wires on the mesh with holes on the underside of the frame.



## 1b

Finish by attaching the **frame bar (L2)**. *The left side frame (L1) has stop-tabs (to stop the grille and tray from pushing all the way through), so the left side frame bar does NOT include the windbell lock.* The top surface of the frame bar has holes which align with extended wires on mesh. Align wires with holes, and secure the frame bar with hex screws through the frame legs on both ends. Instructions are the same for the **right side (R1-3)**.

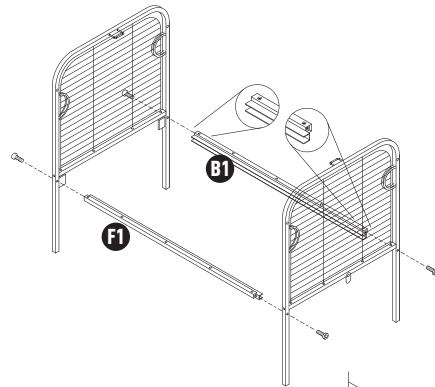


## 2a

**Assemble the front and back panels:** The front lower (F1) and back lower (B1) rails have holes on the top surface, and tray channels on the inside surface. The tray channels end flush on the left end, and extend beyond the rail on the right end (see detail).

Orient the **front lower (F1)** rail with holes facing up and tray channel facing in. Secure with hex screws through the side frame legs on both ends.

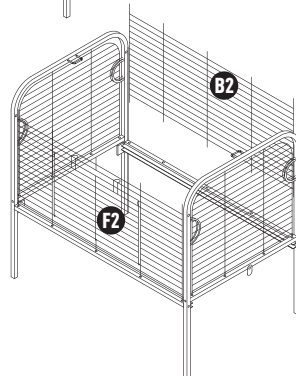
Instructions are the same for **back lower (B1)** rail.



## 2b

The **front mesh (F2)** panel has a door. The **back mesh (B2)** panel is solid mesh. Both front and back mesh panels have vertical wires extending above and below the panel. The extended wires along the bottom edge align with the holes on the top surface of the front & back rails (F1 & B1).

Align the extended wires with the holes, and set the front and back mesh panels into place.

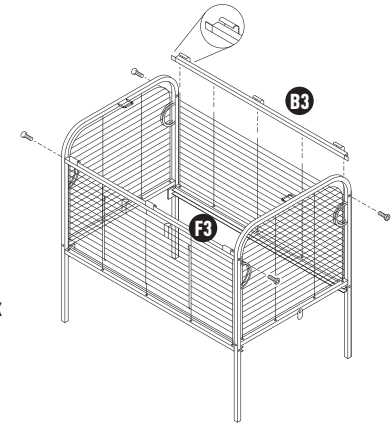


## 2c

The front upper (F3) and back upper (B3) rails have extended curved tabs on the top surface, and extended flat tabs on the inside ends (see detail). Along the bottom surface are holes which align with the extended vertical wires on the panel mesh.

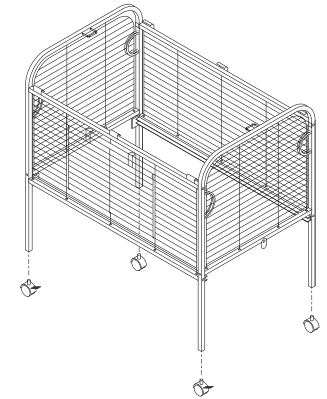
Orient the **front upper (F3)** rail with the opening on the curved tabs facing in, and the end flat tabs also on the inside. Align the holes on the underside with the extended wires on the mesh. Secure rail with hex screws through the side frame legs on both ends.

Instructions are the same for **back upper (B3)** rail.



## 3

**Insert the caster wheels:** We suggest inserting the two locking caster wheels on the front, where they can be accessed easily when the cage is in use, but all wheels will fit in all legs and locking casters can be arranged to best suit your needs.



## 4

**Install the roof panel:** At the back of the roof (C1) panel, the first horizontal wire is extended on both ends. These extended wires will align with holes on the left and right side frames (L1 & R1).

Loosen the hex screws for the back upper (B3) rail to allow some slack.

Hook the first horizontal wire of the **roof (C1)** panel under the curved tabs on the upper rail, and insert the extended end wires into the holes on the side frames. Retighten the back upper rail hex screws.

Check and tighten all other hex screws, to create a solid, stable cage.

