

# ASSEMBLY INSTRUCTION

Thank you for purchasing this quality product. Be sure to check all packing material carefully for small parts which may have come loose inside the carton during shipment. Separate, identify and count all parts and hardware. Compare with the parts list to be sure all parts are present.

**IMPORTANT : PLEASE READ INSTRUCTION BEFORE STARTING THE ASSEMBLY.**

**"DO NOT TIGHTEN SCREWS UNTIL COMPLETELY ASSEMBLED"**

**"DO NOT OVERTIGHT ANY HARDWARE"**

**WARNING : SMALL PARTS AND HARDWARE NOT FOR CHILDREN UNDER 3 YEARS. ADULT ASSEMBLY REQUIRED.**

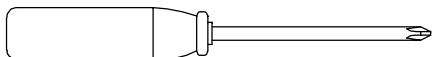
## TABLE OF CONTENTS

HARDWARES LIST	PAGE 2 - 3
PARTS LIST	PAGE 3 - 4
PARTS' LOCATION	PAGE 5
ASSEMBLY STEPS	PAGE 6 - 13
ASSEMBLY COMPLETED	PAGE 13
ANTI-TIPPING INSTALLMENT INSTRUCTIONS	PAGE 14

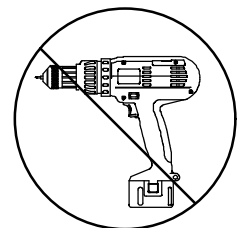
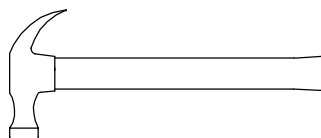
### ASSEMBLY TOOLS REQUIRED

Skip the power trip this time.

**1. Screwdriver (not provide)**




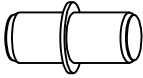
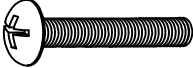
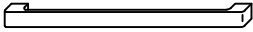
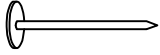
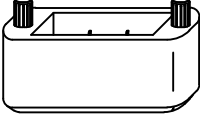



**2. Hammer (not provide)**



# ASSEMBLY INSTRUCTION

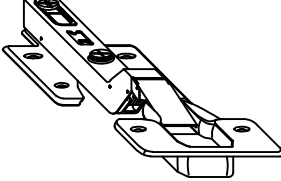
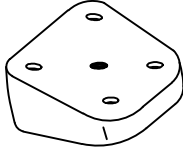


## HARDWARES LIST

ITEM	DESCRIPTION	DRAWING	QTY
A	MINIFIX CAM LOCK		20 PCS
B	MINIFIX CAM BOLT		20 PCS
C	WOOD DOWEL (M8 x 25MM)		20 PCS
D	SHELF SUPPORT (M5 x 16mm)		24 PCS
E	TRUSS M-SCREW (20MM)		4 PCS
F	HANDLE		2 PCS
G	6/8" NAIL		28 PCS
H	PLASTIC STOPPER		2 PCS
I	CSK C/B SCREW (M4 x 16MM)		24 PCS



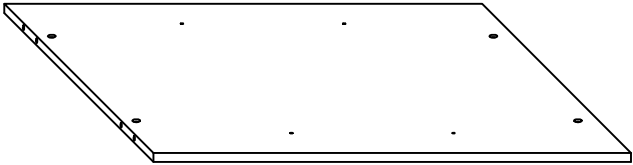

MORE HARDWARES DETAIL IN NEXT PAGE...

# ASSEMBLY INSTRUCTION

## HARDWARES LIST

ITEM	DESCRIPTION	DRAWING	QTY
J	SOFT-CLOSE HINGES		4 PCS
K	BOTTOM SUPPORTING PLASTIC		4 PCS
L	PANHEAD SCREW (M4 x 21MM)		16 PCS
M	PLASTIC STRIP (H SHAPE)		1 PC

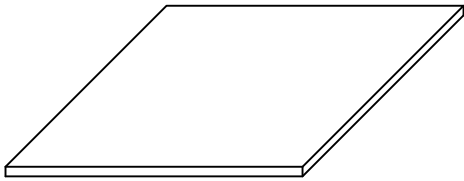
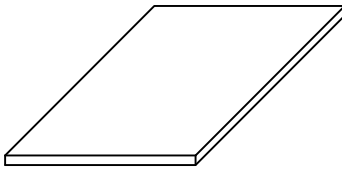
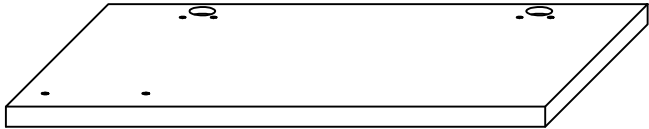

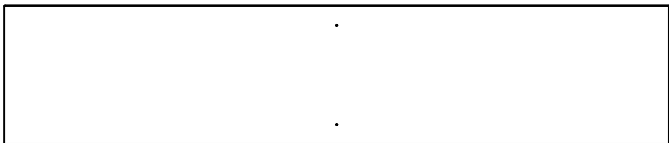
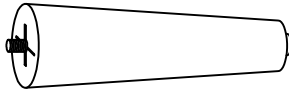
## PARTS LIST

ITEM	DESCRIPTION	DRAWING	QTY
1	TOP PANEL		1 PC
2	SIDE PANEL		2 PCS
3	CENTRE PANEL		2 PCS
4	MIDDLE PANEL		1 PC

MORE PARTS DETAIL IN NEXT PAGE...

# ASSEMBLY INSTRUCTION

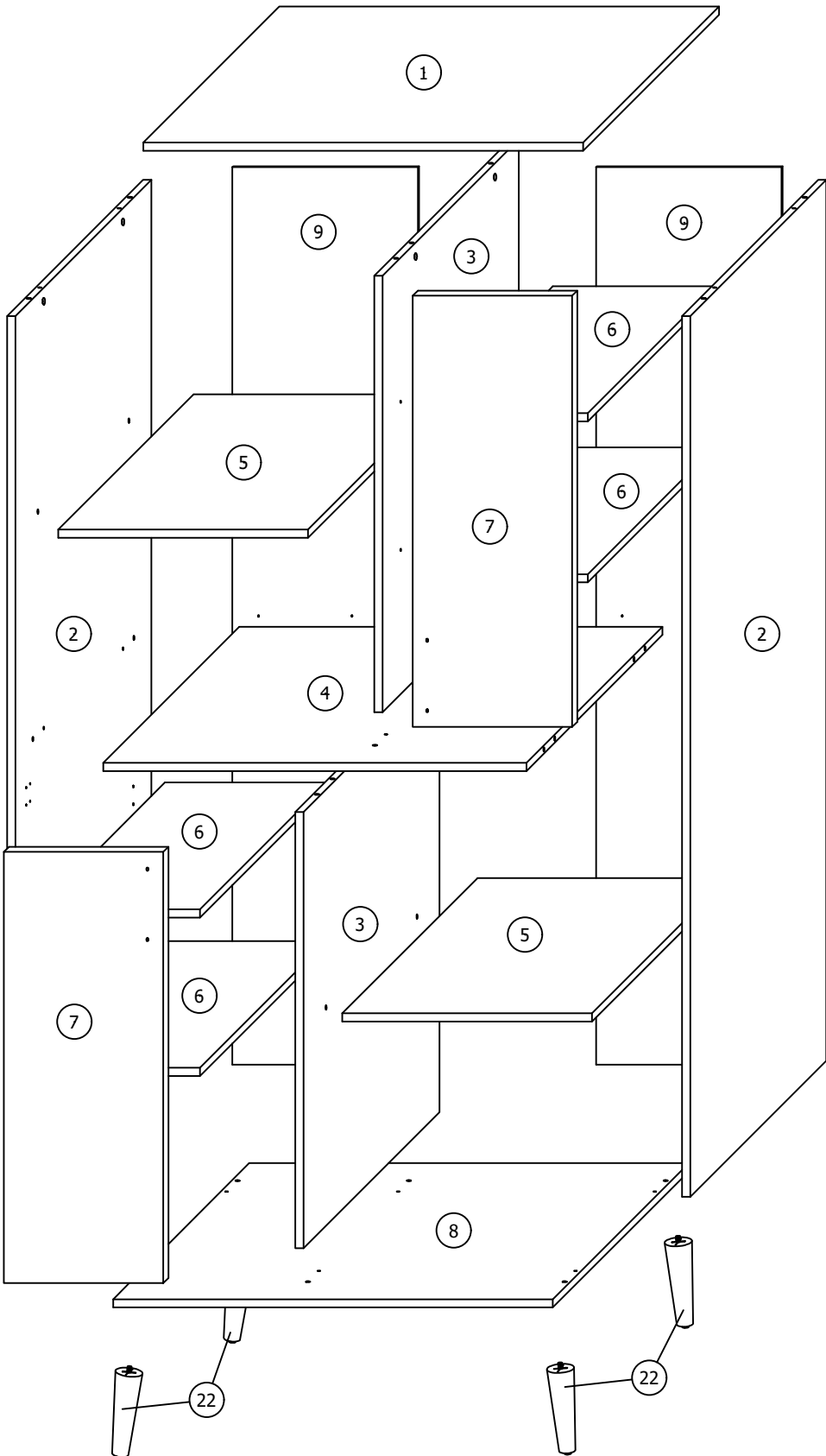
## PARTS LIST

ITEM	DESCRIPTION	DRAWING	QTY
5	COMPARTMENT PANEL - LONGER		2 PCS
6	COMPARTMENT PANEL - SHORTER		4 PCS
7	DOOR		2 PCS
8	BOTTOM PANEL		1 PC
9	BACK PANEL		2 PCS
22	BOTTOM SUPPORT LEG		4 PCS

# ASSEMBLY INSTRUCTION

## PARTS ' LOCATION

STORAGE CABINET x 1 PC

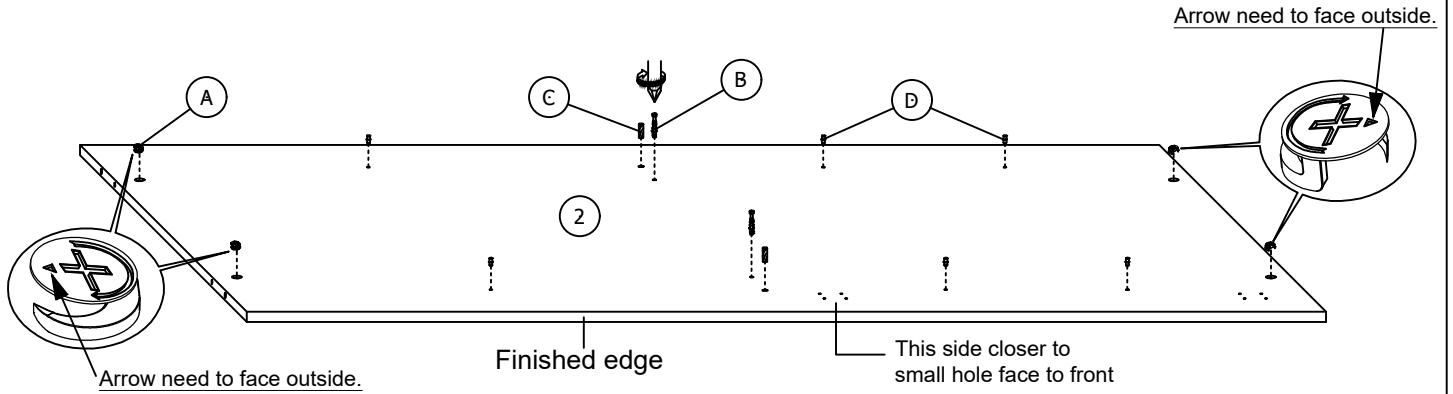


# ASSEMBLY INSTRUCTION

## ASSEMBLY STEPS

### STEP 1

Insert 2 pieces (B),(C) and 4 pieces (A), 6 pieces (D) to the (2) as shown. This step needs to be **done twice**.

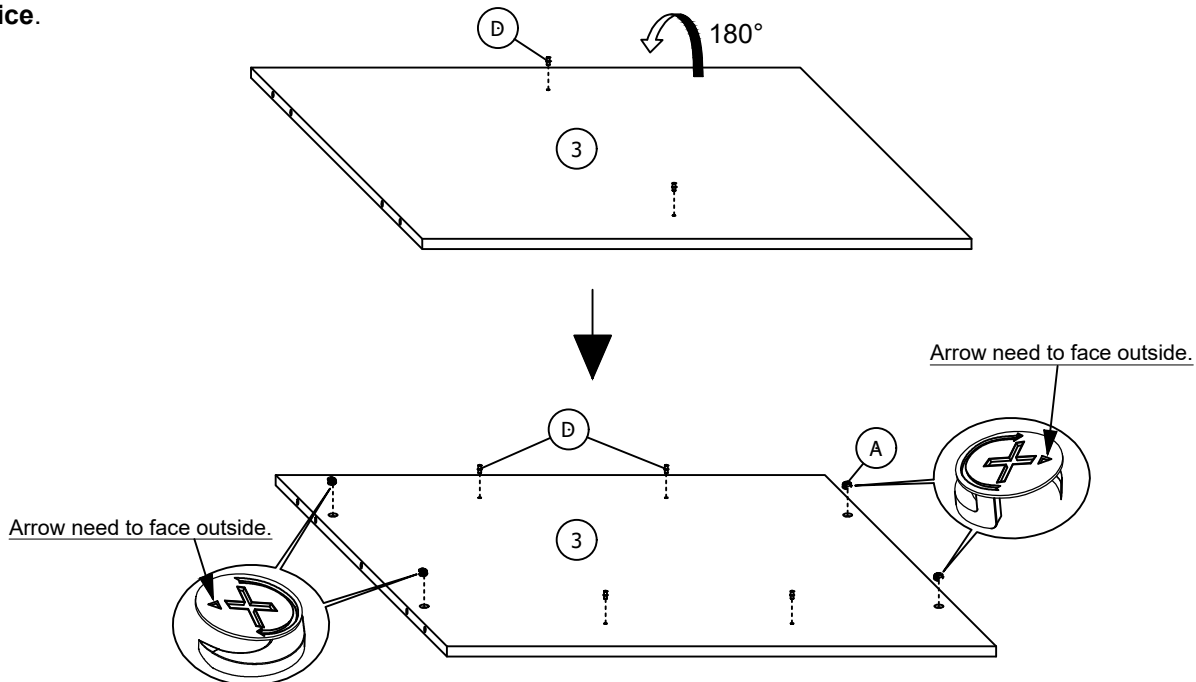


Assembled looks

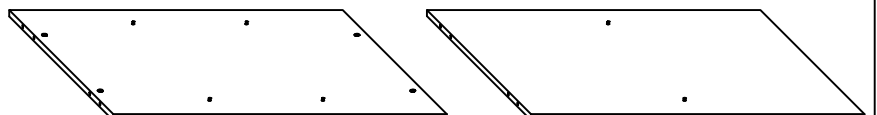


### STEP 2

Insert 2 pieces (D) to one side of (3). Then insert 4 pieces (A),(D) to another side as shown. This step needs to be **done twice**.



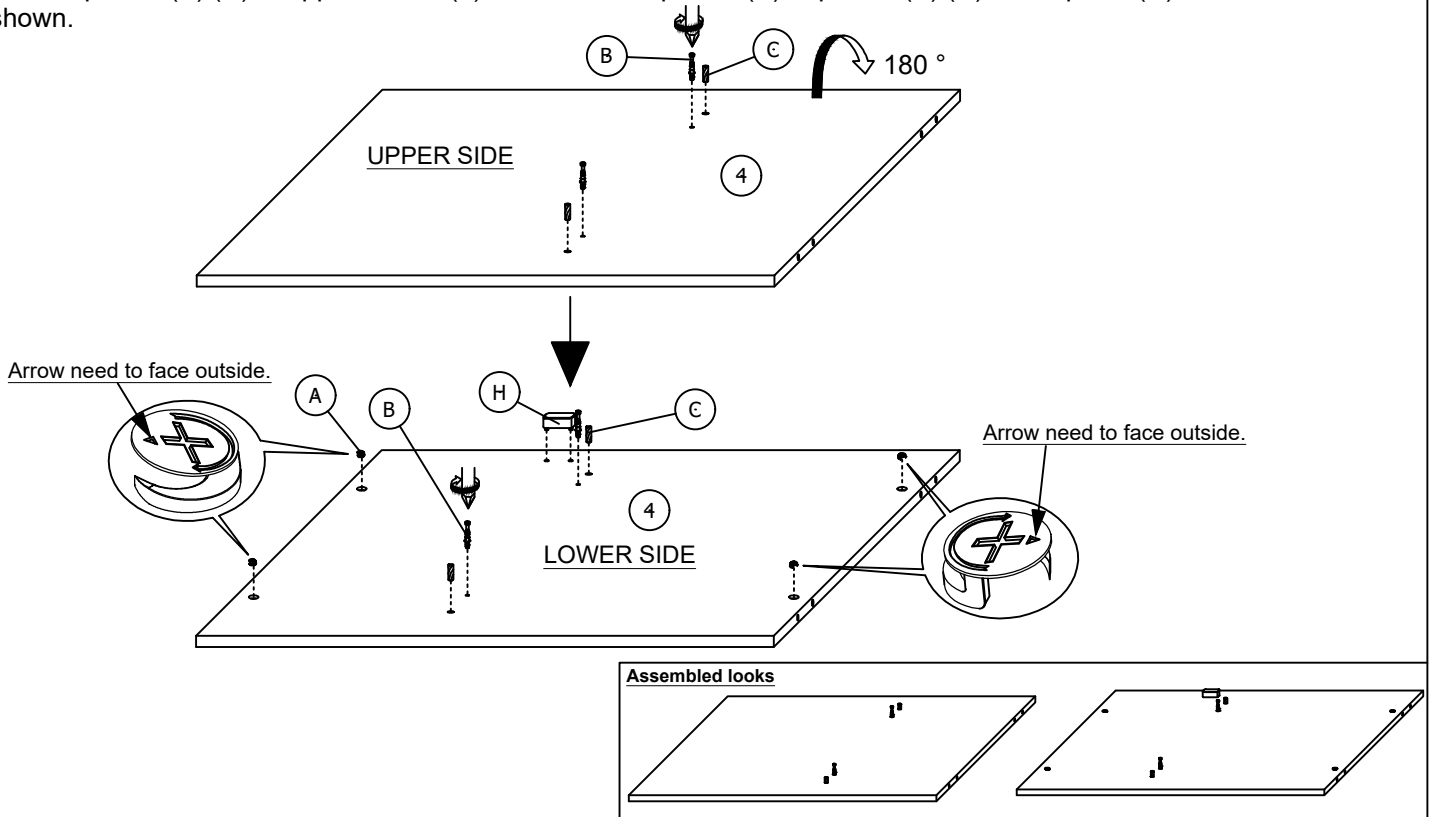
Assembled looks



# ASSEMBLY INSTRUCTION

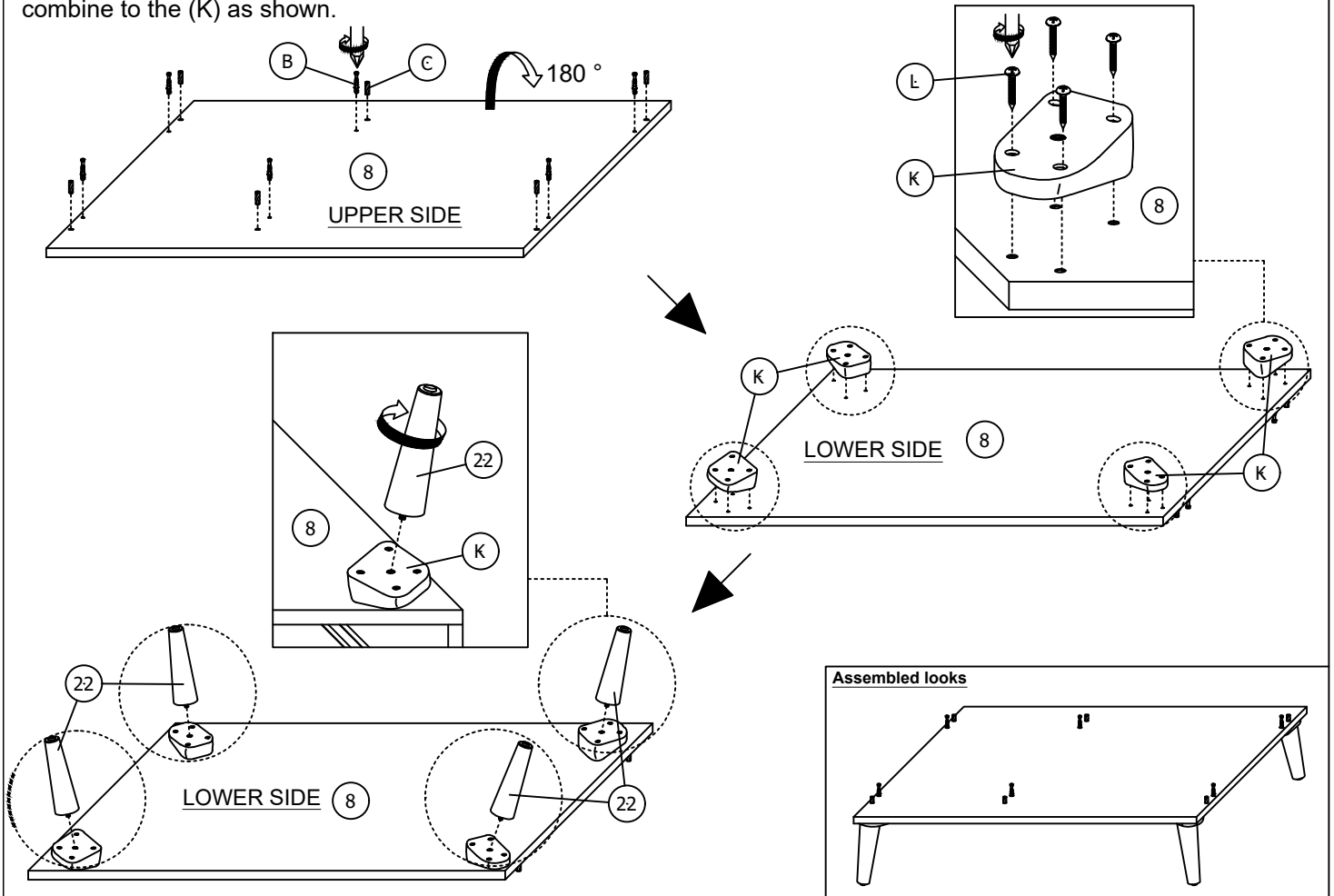
## STEP 3

Insert 2 pieces (B),(C) to upper side of (4). Then insert 4 pieces (A), 2 pieces (B),(C) and 1 piece (H) to lower side as shown.



## STEP 4

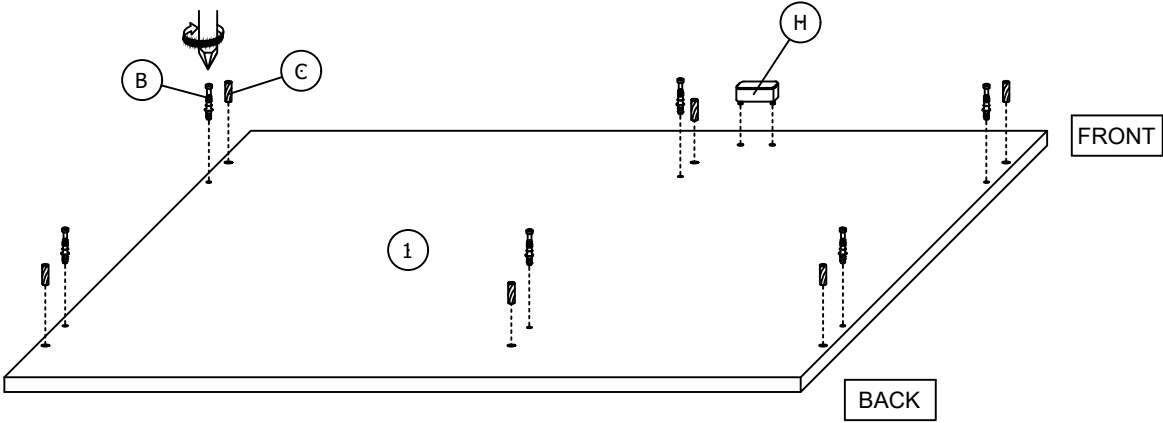
Insert 6 pieces (B),(C) to upper side of (8) then insert the 16 pieces (L) fix (K) to lower side. Turn (22) clockwise to combine to the (K) as shown.



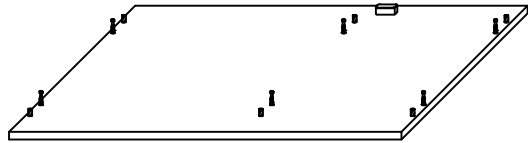
# ASSEMBLY INSTRUCTION

## STEP 5

Insert 1 piece (H) and 6 pieces (B),(C) to the (1) as shown.



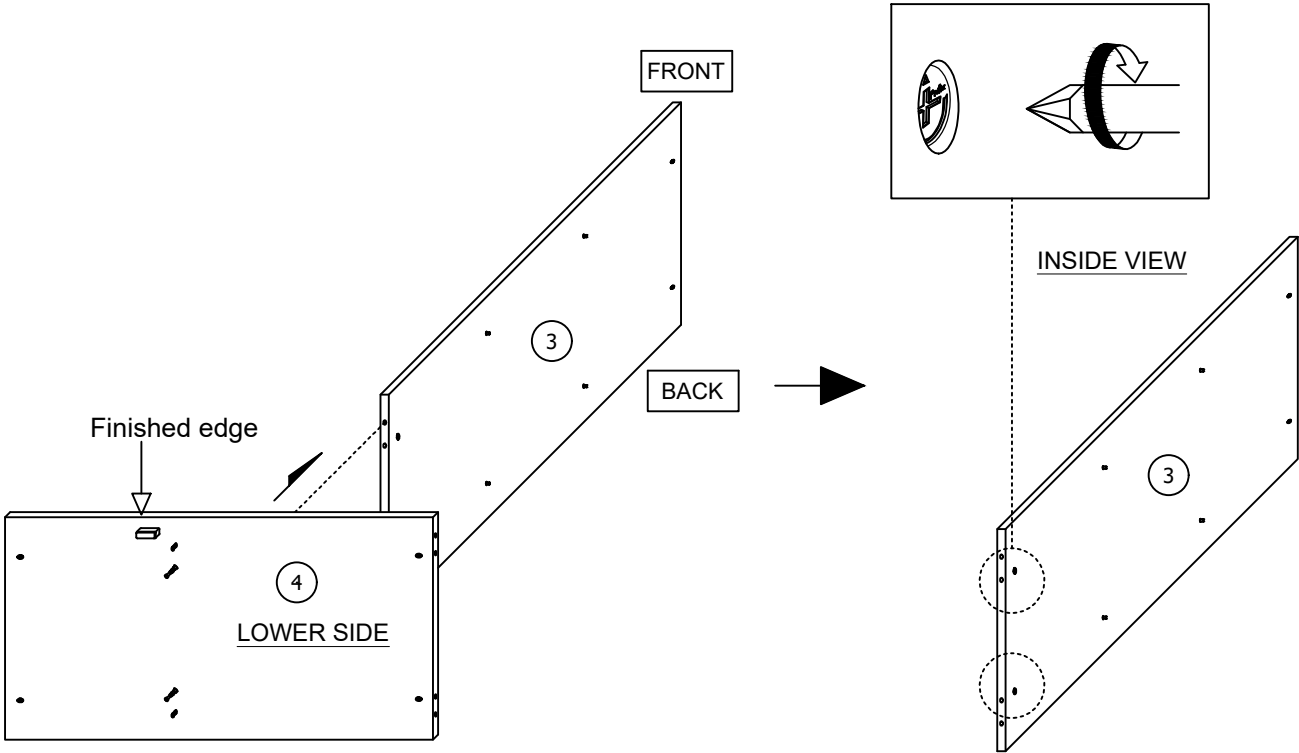
Assembled looks



## STEP 6

Combine 1 piece (3) to (4) then tighten the 2 pieces (A)-(pre insert in step 2) as shown.

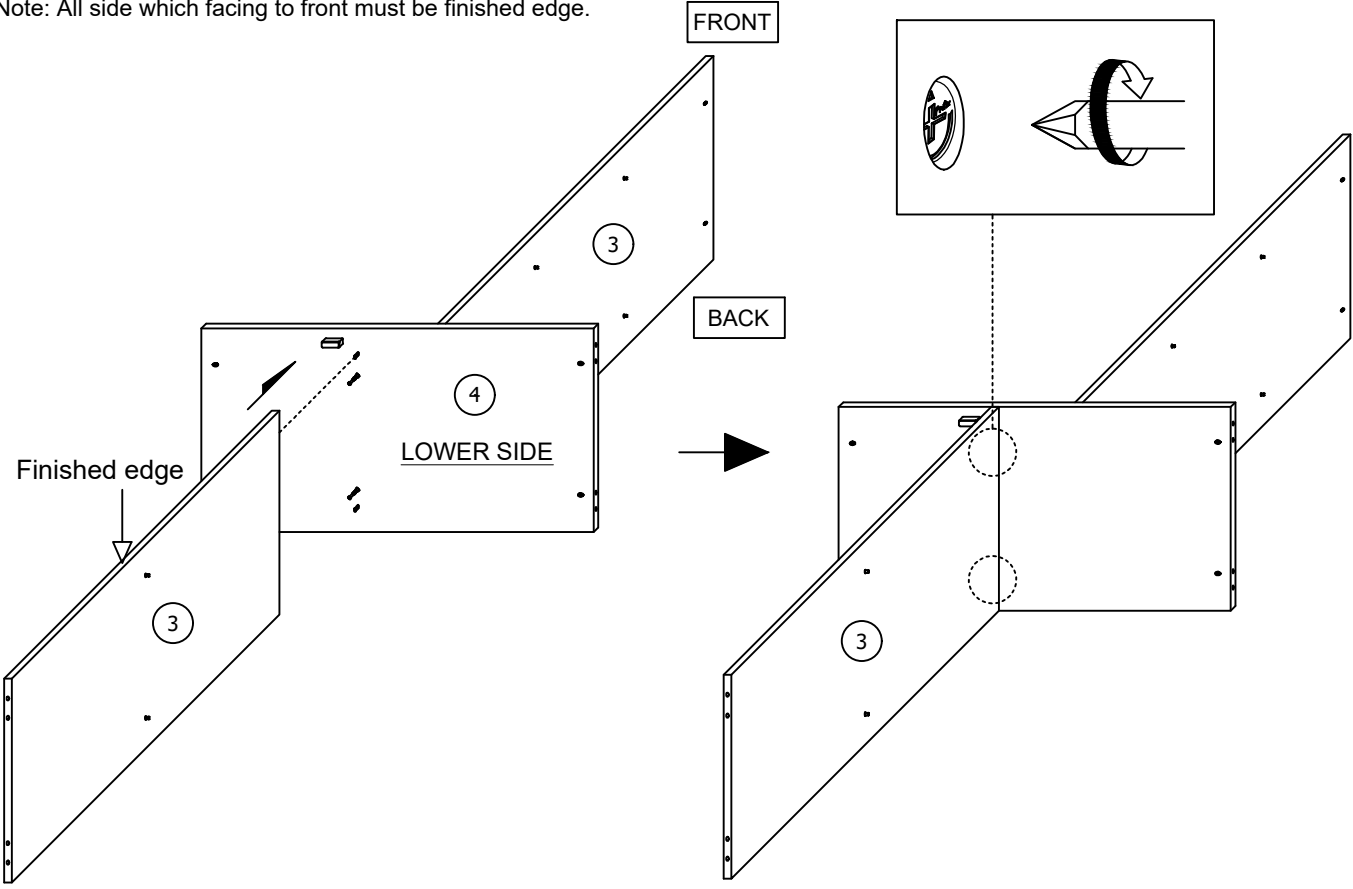
Note: All side which facing to front must be finished edge.



# ASSEMBLY INSTRUCTION

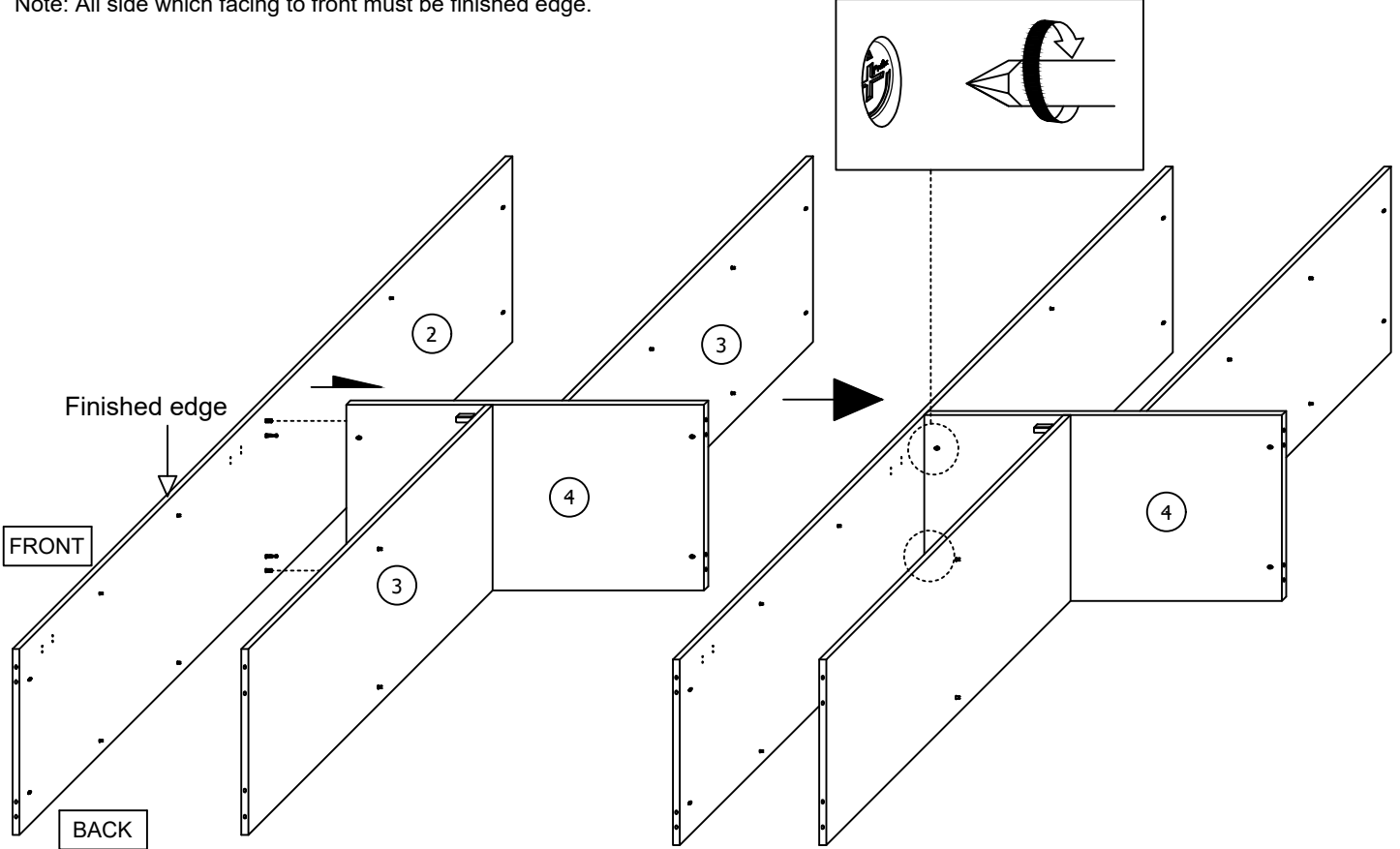
## STEP 7

Combine the remaining 1 piece (3) to (4) then tighten the another 2 pieces (A)-(pre insert in step 2) as shown.  
Note: All side which facing to front must be finished edge.



## STEP 8

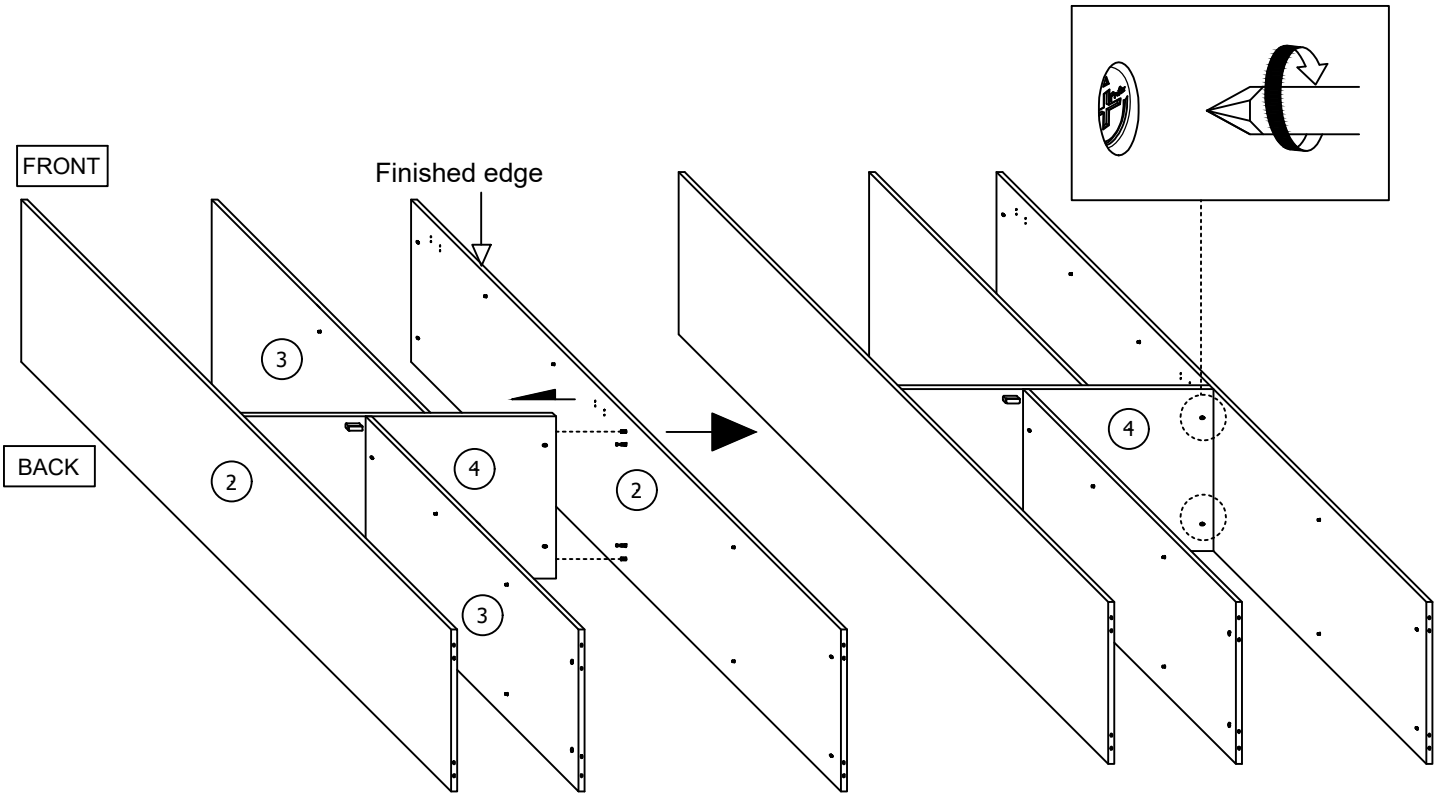
Combine 1 piece (2) to (4) then tighten the 2 pieces (A)-(pre insert in step 3) as shown.  
Note: All side which facing to front must be finished edge.



# ASSEMBLY INSTRUCTION

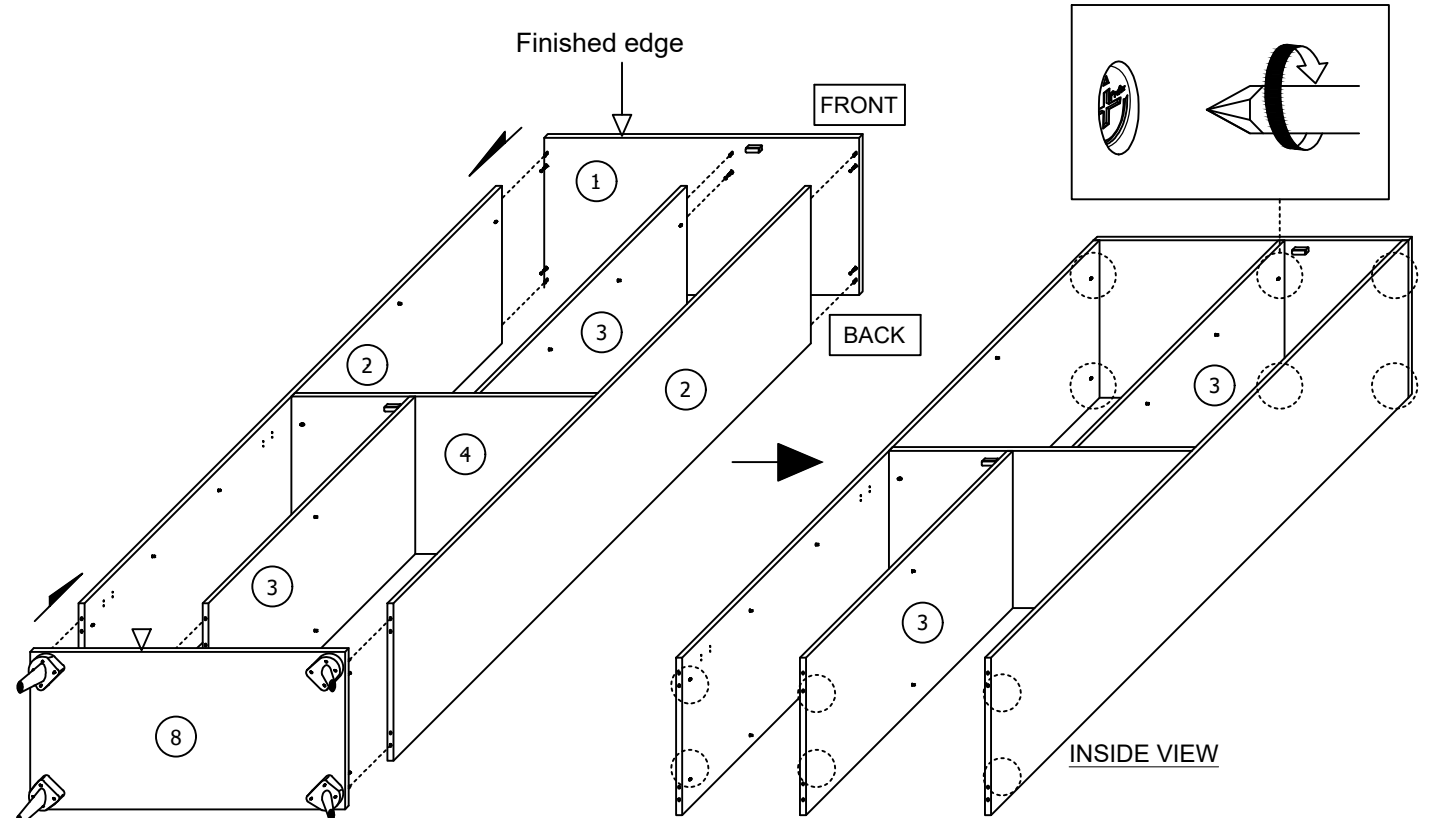
## STEP 9

Combine the remaining 1 piece (2) to (4) then tighten the another 2 pieces (A)-(pre insert in step 3) as shown.  
Note: All side which facing to front must be finished edge.



## STEP 10

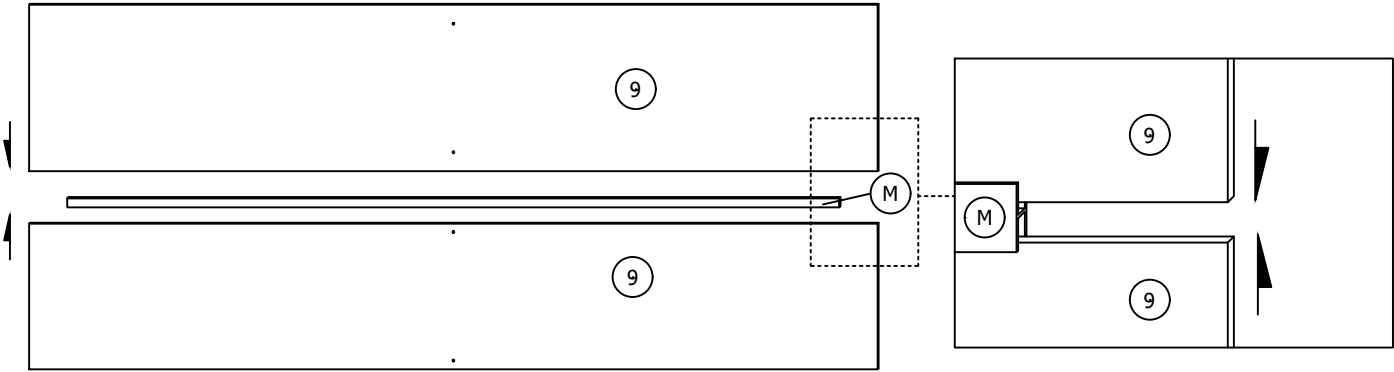
Combine (1),(8) to (2),(3) then tighten the remaining 12 pieces (A)-(pre insert in step 1 and 2) as shown.  
Note: All side which facing to front must be finished edge.



# ASSEMBLY INSTRUCTION

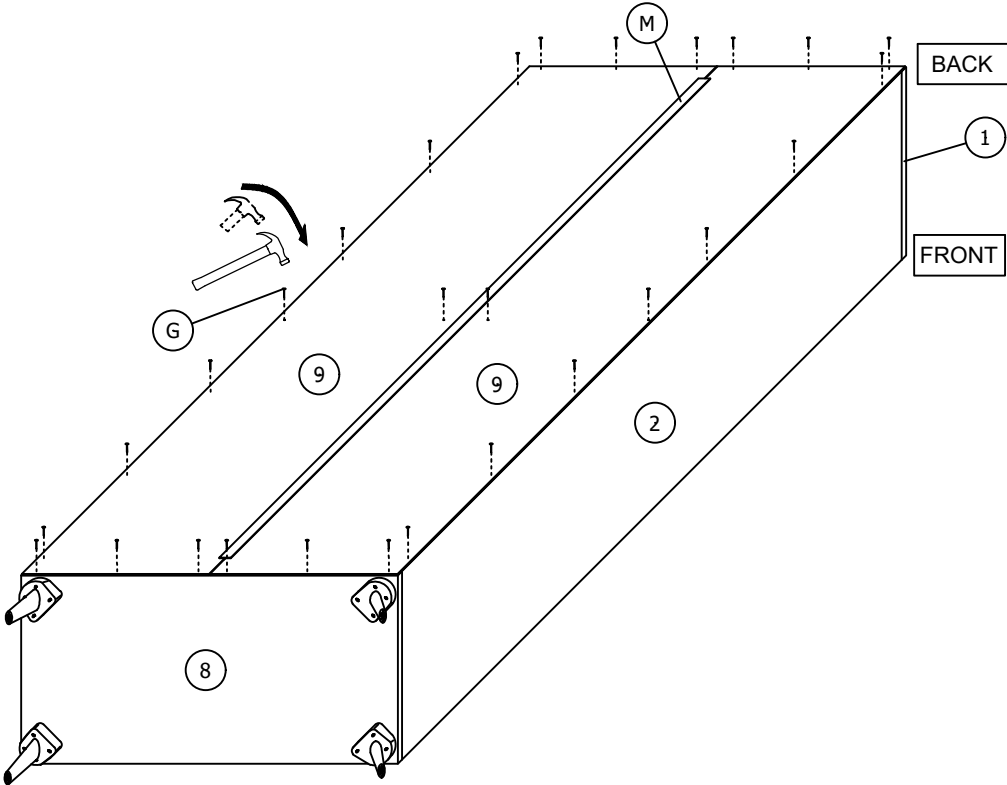
## STEP 11

Put (9) to the gap of (M) as shown. Direction of the side with colored paper must be the same.



## STEP 12

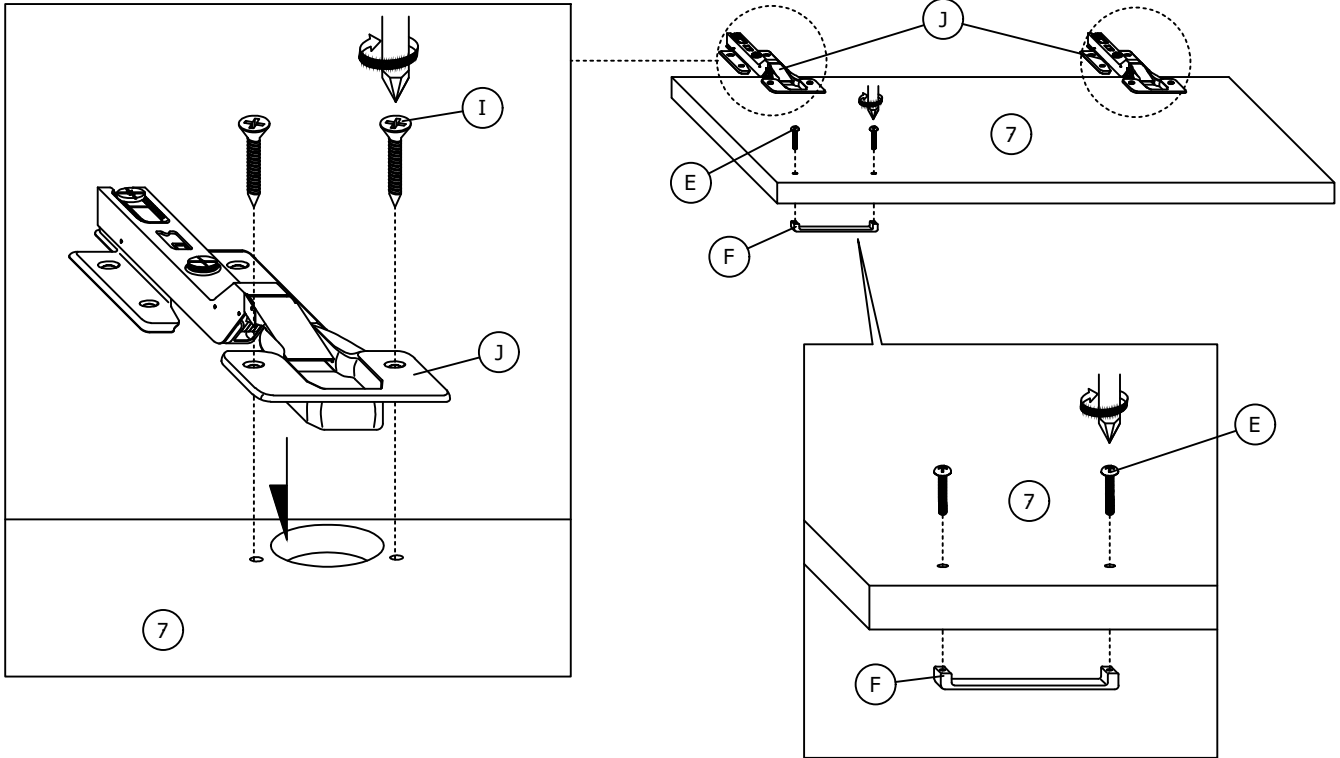
Insert the 28 pieces (G) to fix the 2 pieces (9) as shown. Color paper facing to inside. To prevent blocking (1) and (8), make sure the (M) at the middle of (9), do not over high or lower.



# ASSEMBLY INSTRUCTION

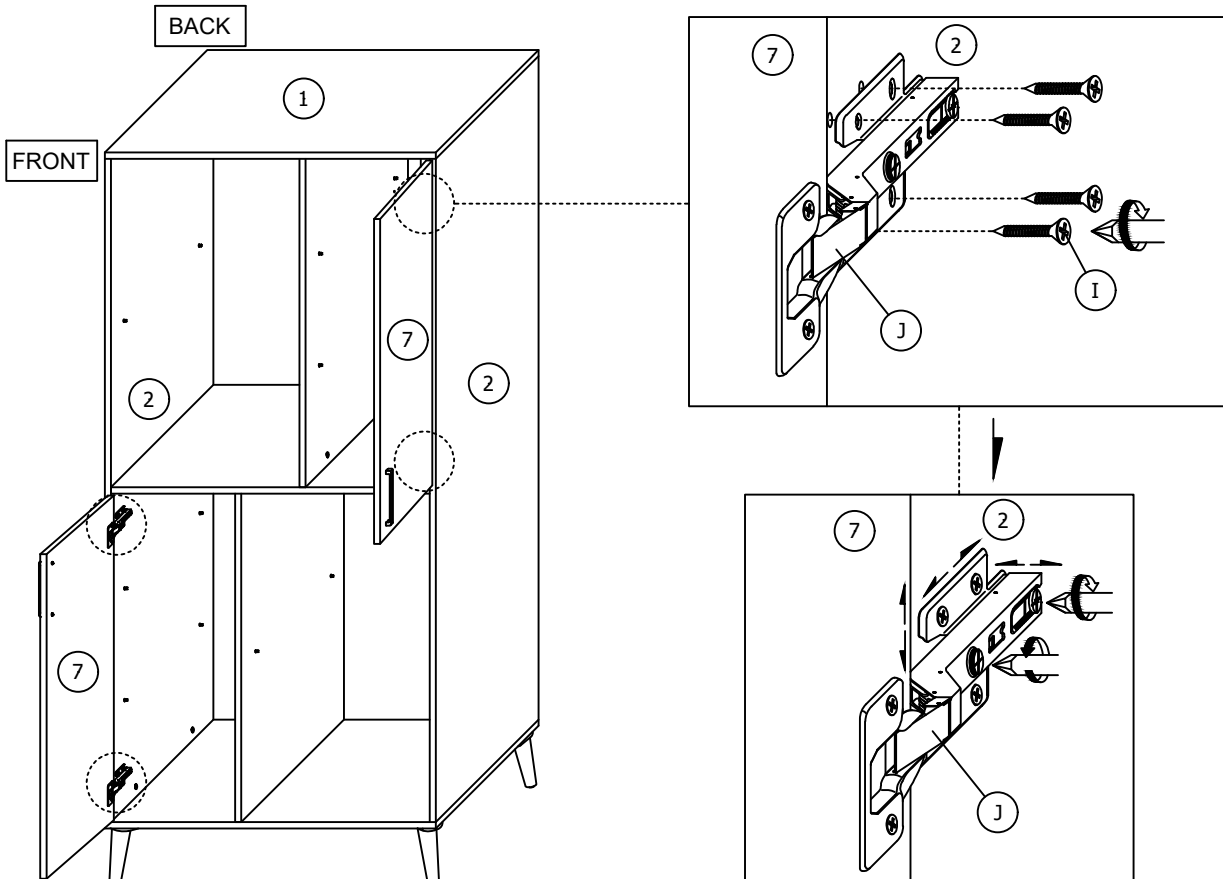
## STEP 13

Insert 4 pieces (I) to fix the 2 pieces (J) to the (7). Then insert 2 pieces (E) to fix the (F) as shown. This step needs to be done twice.



## STEP 14

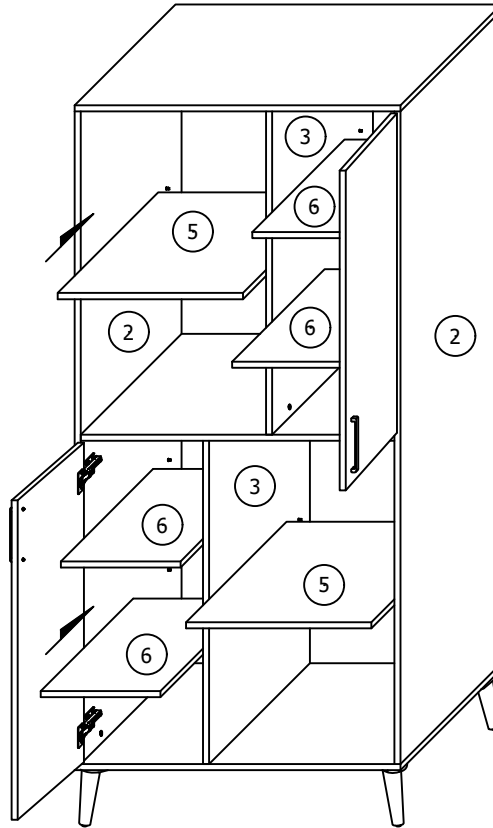
Insert the remaining 16 pieces (I) to fix the (J) to (2). Adjust the (J) then tighten the 8 pieces adjuster screws as shown.



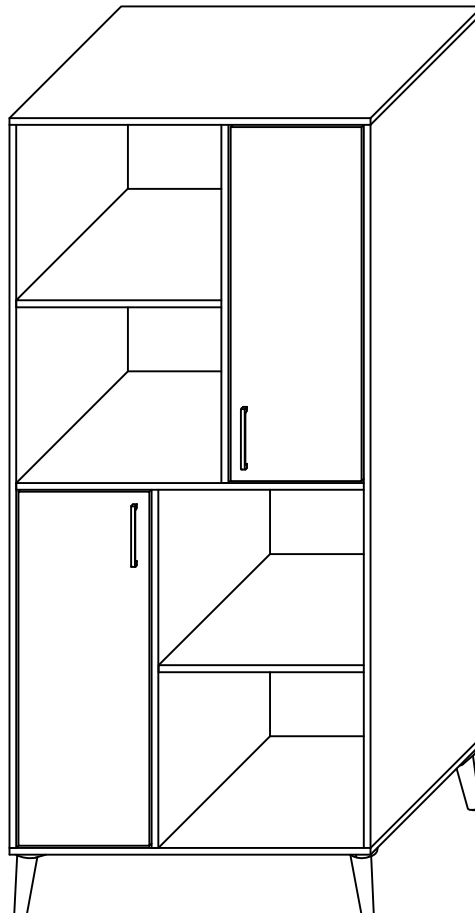
# ASSEMBLY INSTRUCTION

## STEP 15

Put the 4 pieces (6), 2 pieces (5) on the (D) which between (2),(3) as shown.



## STEP 16



**ASSEMBLY COMPLETED**

# WALL STUD

## SAFETY BRACKET INSTRUCTIONS

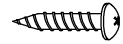
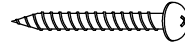
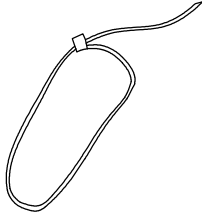
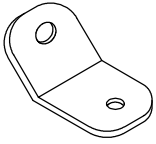
Part Enclosed :

A) Bracket

B) Safety Strap

C) 50mm Pan Head Screw

D) 17mm Pan Head Screw



2x

1x

1x

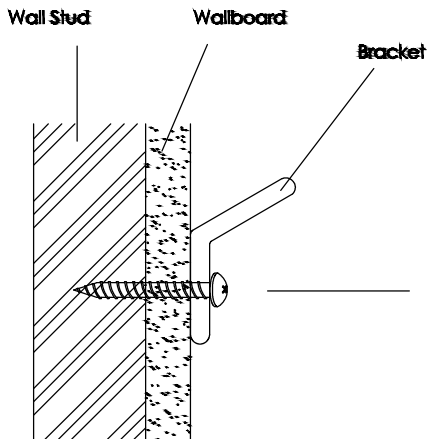
1x

**IMPORTANT:** Tipping can injure young children. Use of this safety hardware is highly recommended. This safety hardware, when properly installed, can provide furniture protection against unexpected accidental tipping of furniture due to improper use.

### Step 1

Attach a bracket to the wall board with the 2" screw provided:

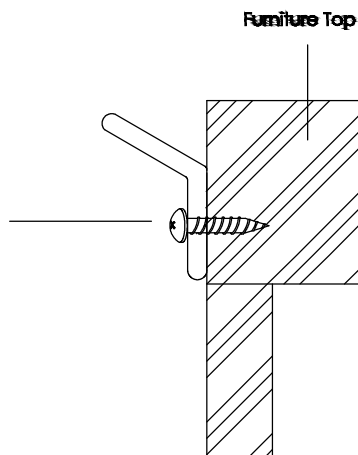
- . It is recommended that you locate a wall stud behind the furniture unit. If the wall stud is not used, a suitable "Hollow-Wall Anchor Bolt" (not provided) should be used in lieu of the wall stud.
- . Position the wall bracket on the stud about 1" below the top of furniture piece.
- . Mark the position for the bracket placement on the wall and drill a pilot hole into the stud.
- . Attach the bracket to the back of the furniture with the 2" screws provided.



### Step 2

To attach a bracket to the Furniture Frame below to top with the short screws provided :

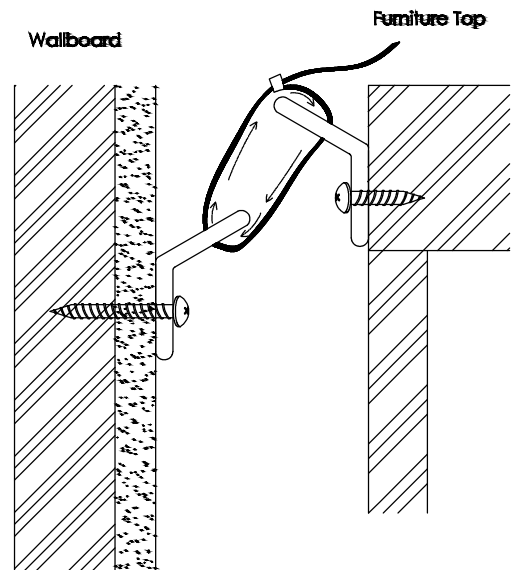
- . Move the furniture piece temporarily to its final position to the wall.
- . Mark the location of the bracket on the back of the furniture in relation to the previously mounted wall bracket.
- . Move the furniture piece away from the wall mounted bracket and place the other bracket on the mark position on the back of the furniture piece.
- . Drill a pilot hole as shown in the figure or into the back furniture frame.
- Caution:** Mark sure you do not drill completely through the back of the furniture.
- . Attach the bracket to the back of the furniture with the 5/8" screws provided.



### Step 3

To Attach the safety strap:

- . Move the furniture back to its final position.
- . Thread the safety strap through both of the mounted brackets as shown in the illustration.
- . Tighten the strap unit snug.
- . Do not over tighten.



**IMPORTANT:** Make sure the brackets are firmly attached to the wall stud and furniture frame and the safety strap is snug.

**Warning:** This product is not be a substitute for proper parental supervision which is the only proper deterrent to prevent improper use of this unit. The manufacturer assumes no liability for improper installation or excessive loads placed on the safety straps, bracket or mounting screws. This hardware will not insure against tipping.

**Note:** For taller or heavier pieces of furniture, two safety brackets may be installed.