
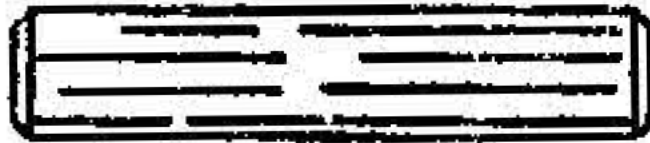

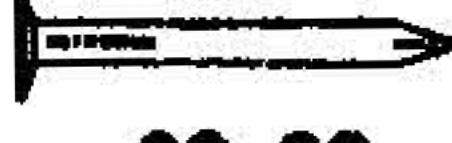

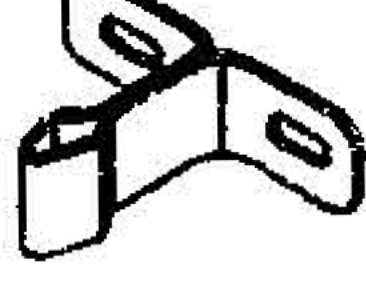
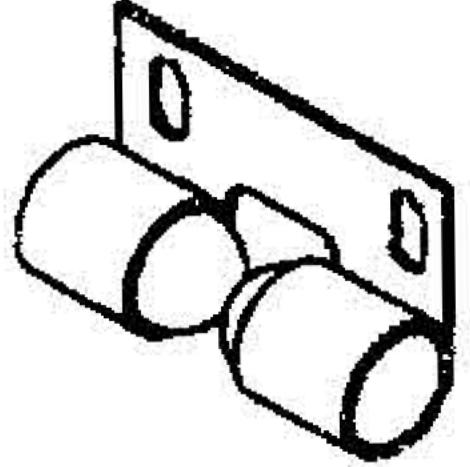

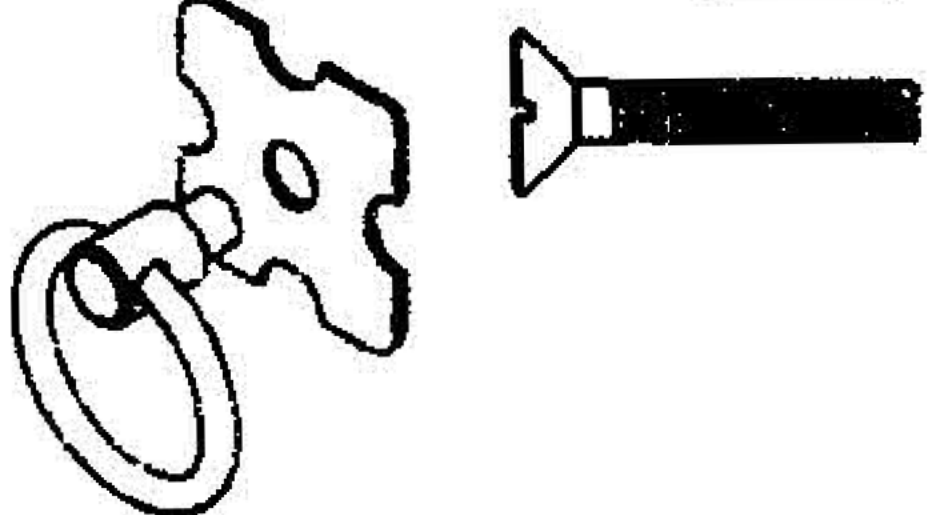
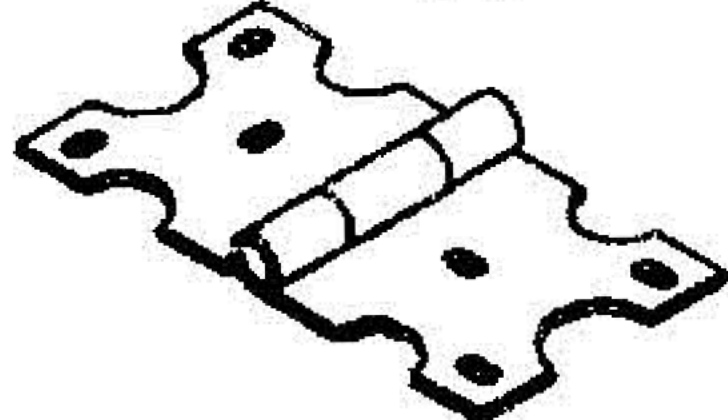

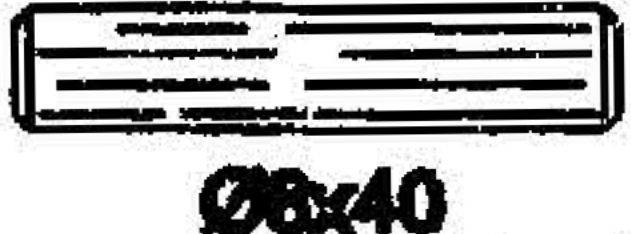
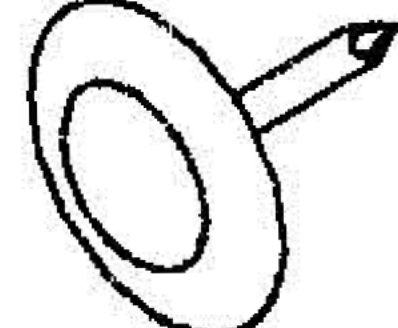
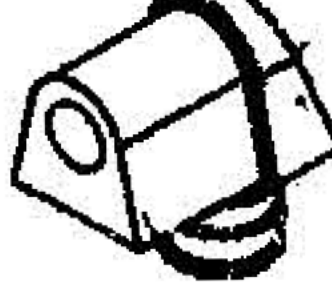
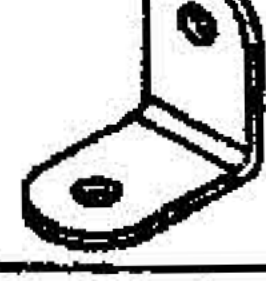
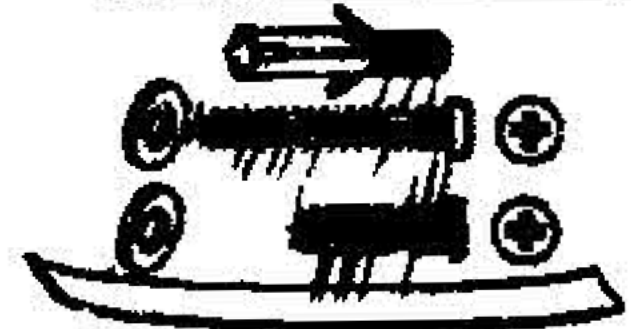
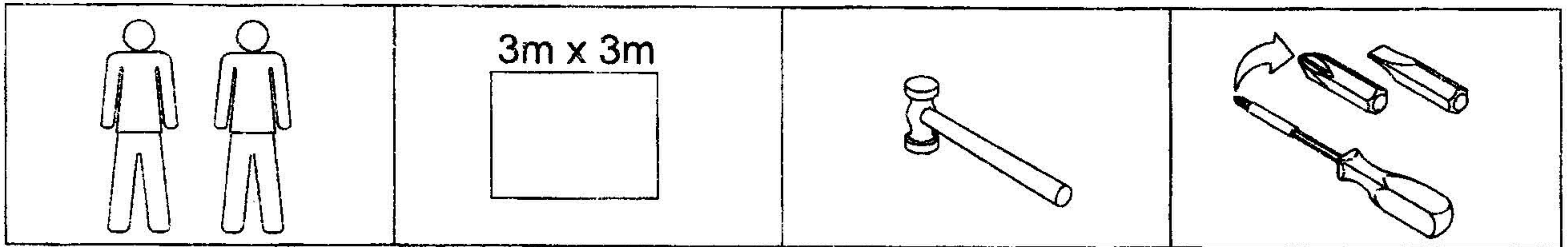
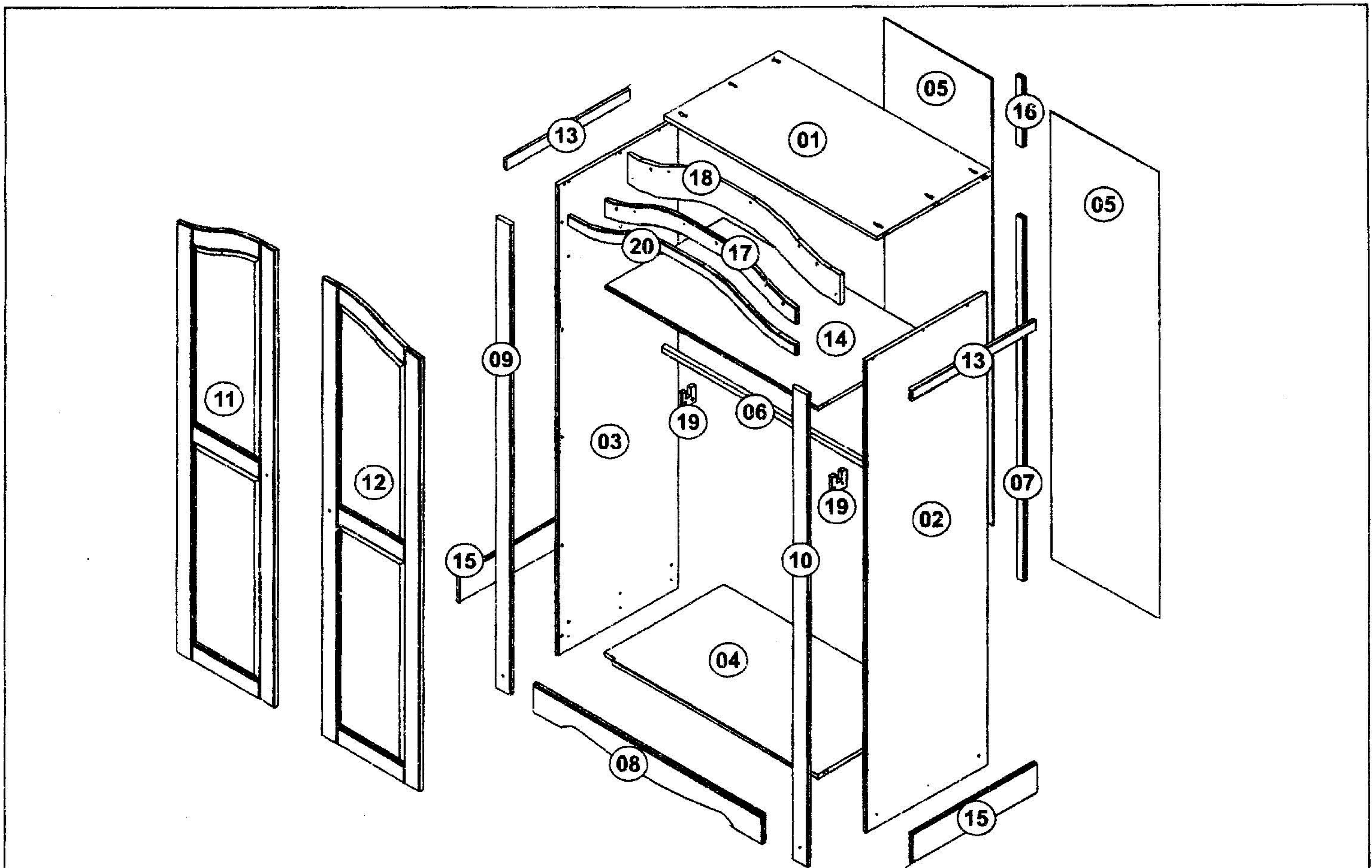


Width = 100cm
 Depth = 51cm
 Height = 189,5cm

- Please check that all fittings are correct before assembling the item.
- Replacement parts can be supplied for any damages to the item.
- Please keep all packaging until the item is assembled as we will require information from this if replacement parts are required.

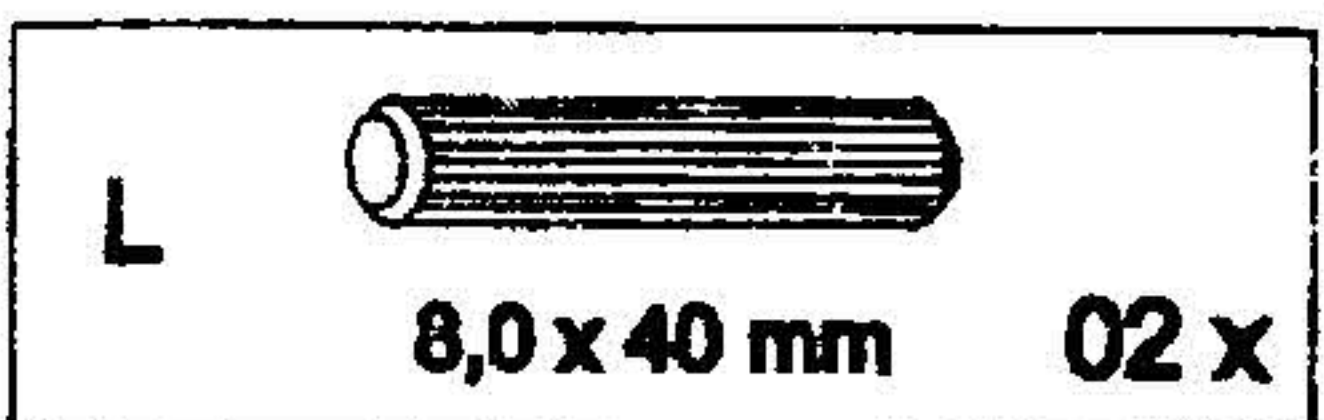
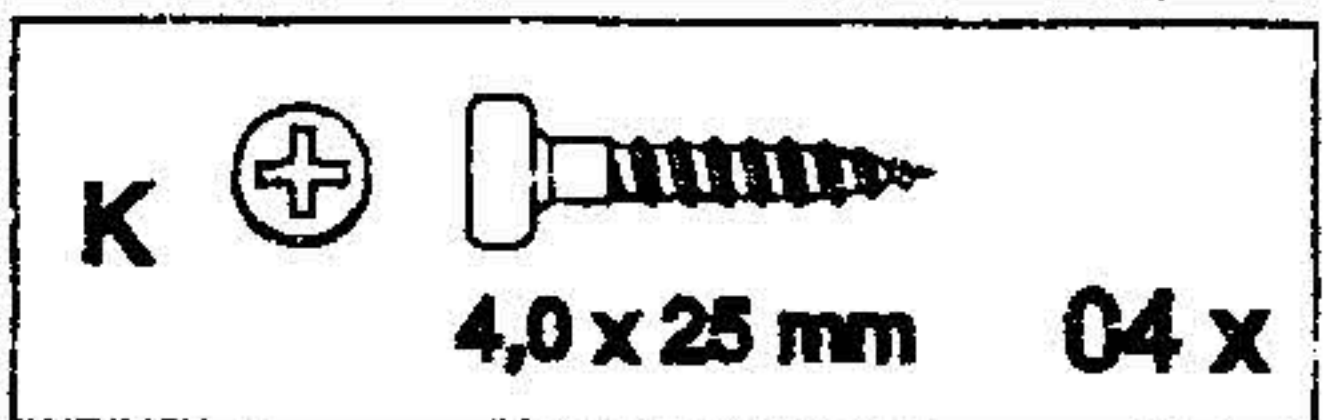
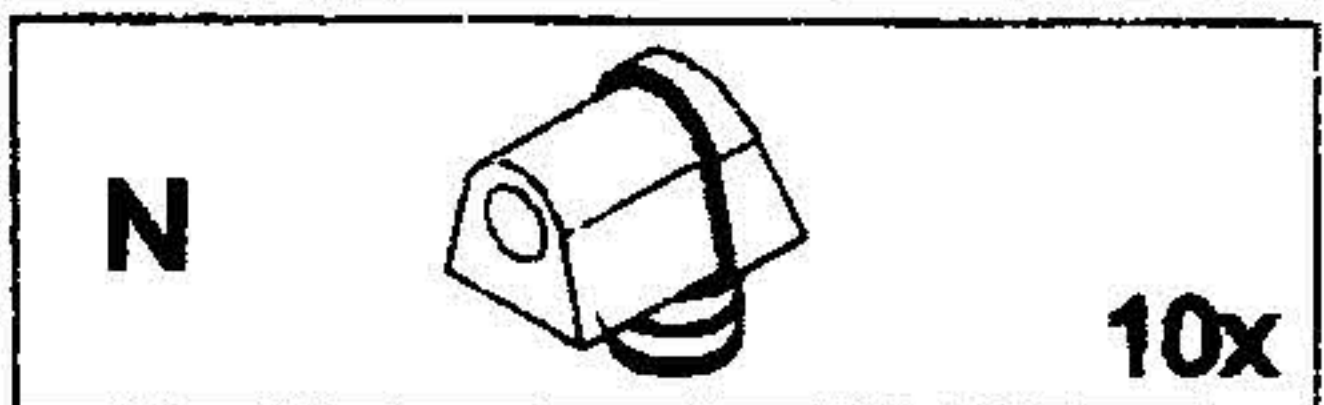
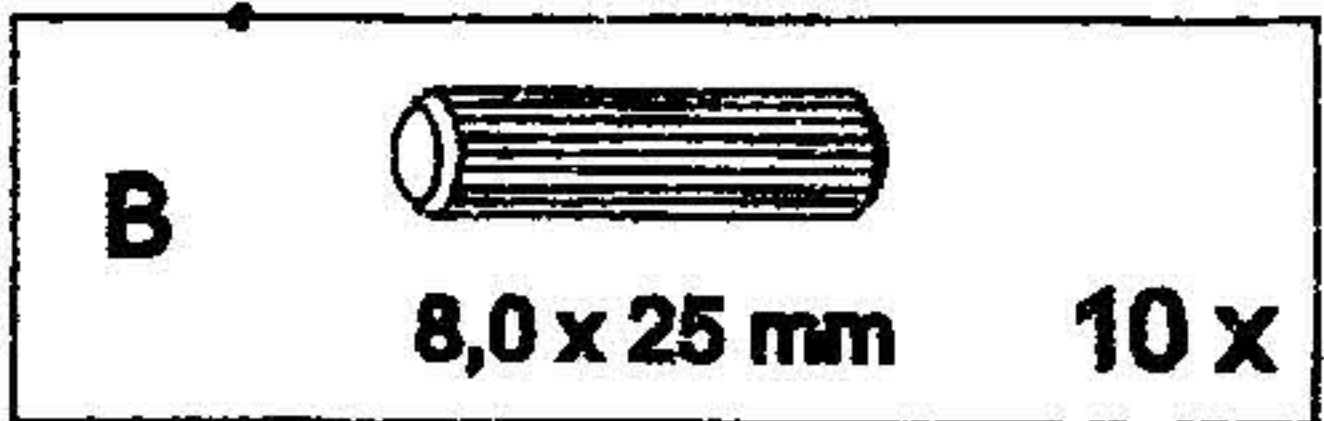
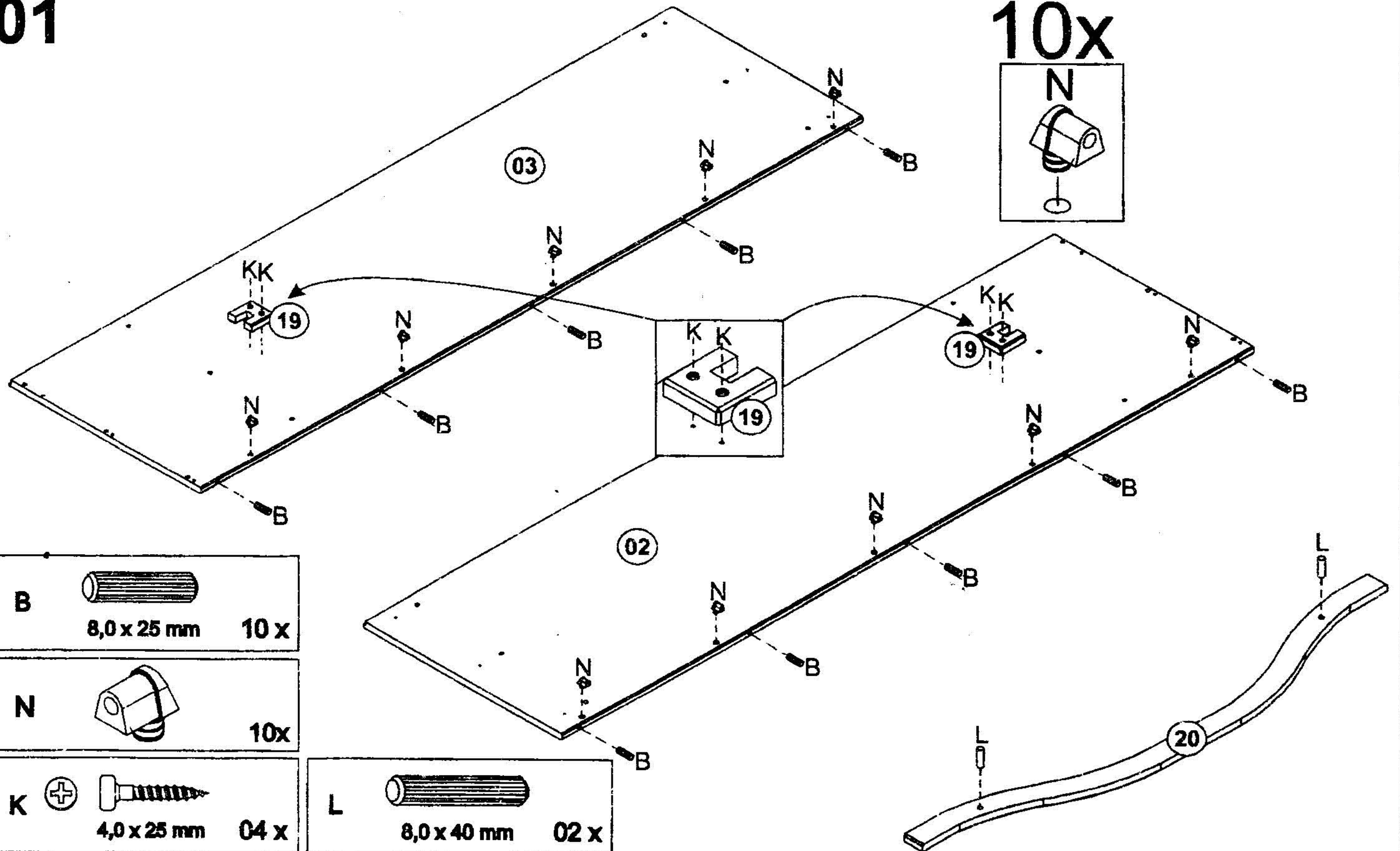
A	 3,5x30	18
B	 Ø6x25	28
C	 4,0x25	12
D	 Ø8xØ8	28
E	 3,5x14	36
F		04
G		04
H	 3,0x14	20

I		02
J		06
K	 4,0x25	24
L	 Ø6x40	02
M		02
N		10
O		02
Y		01

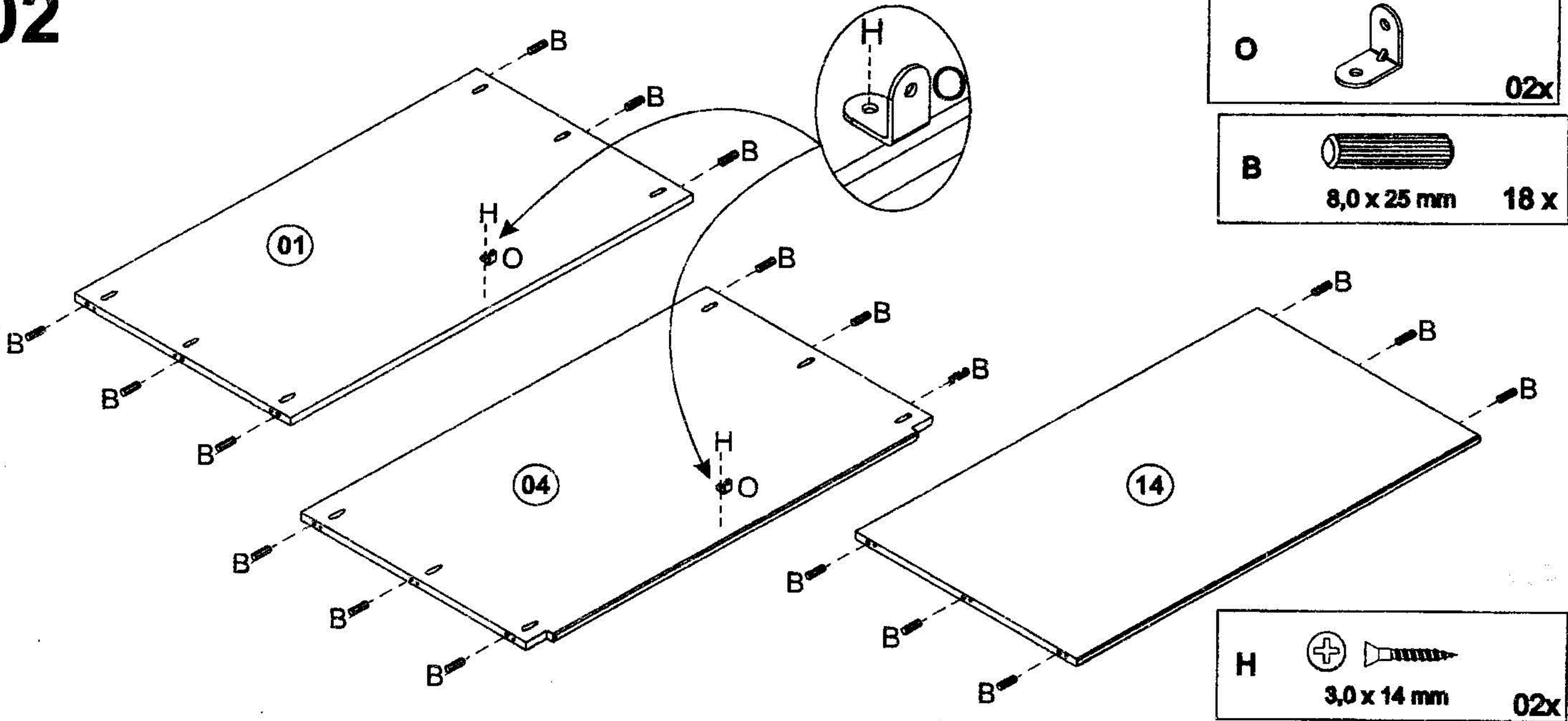


01

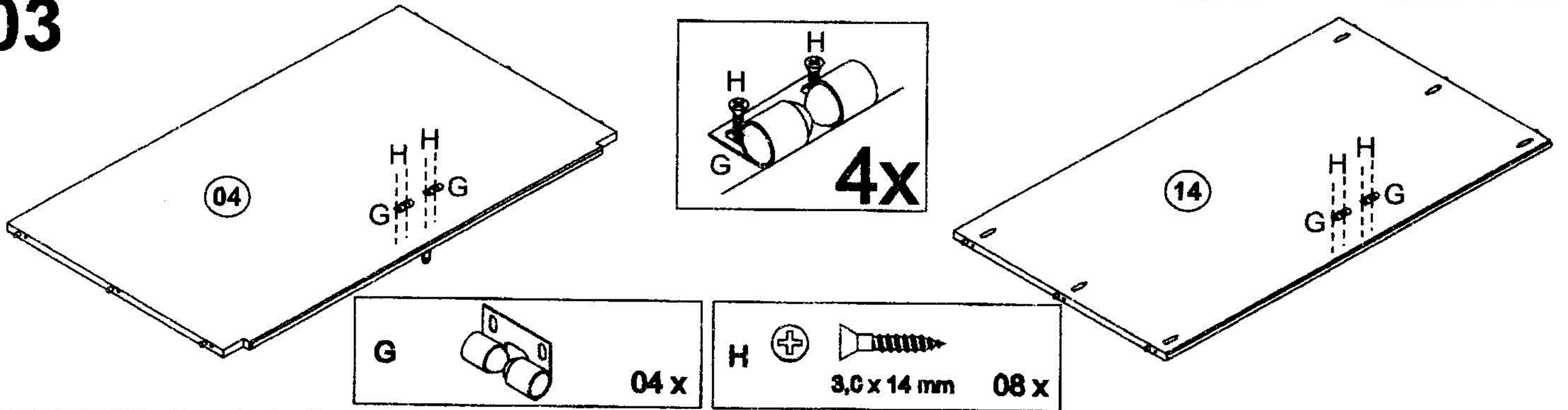
10x



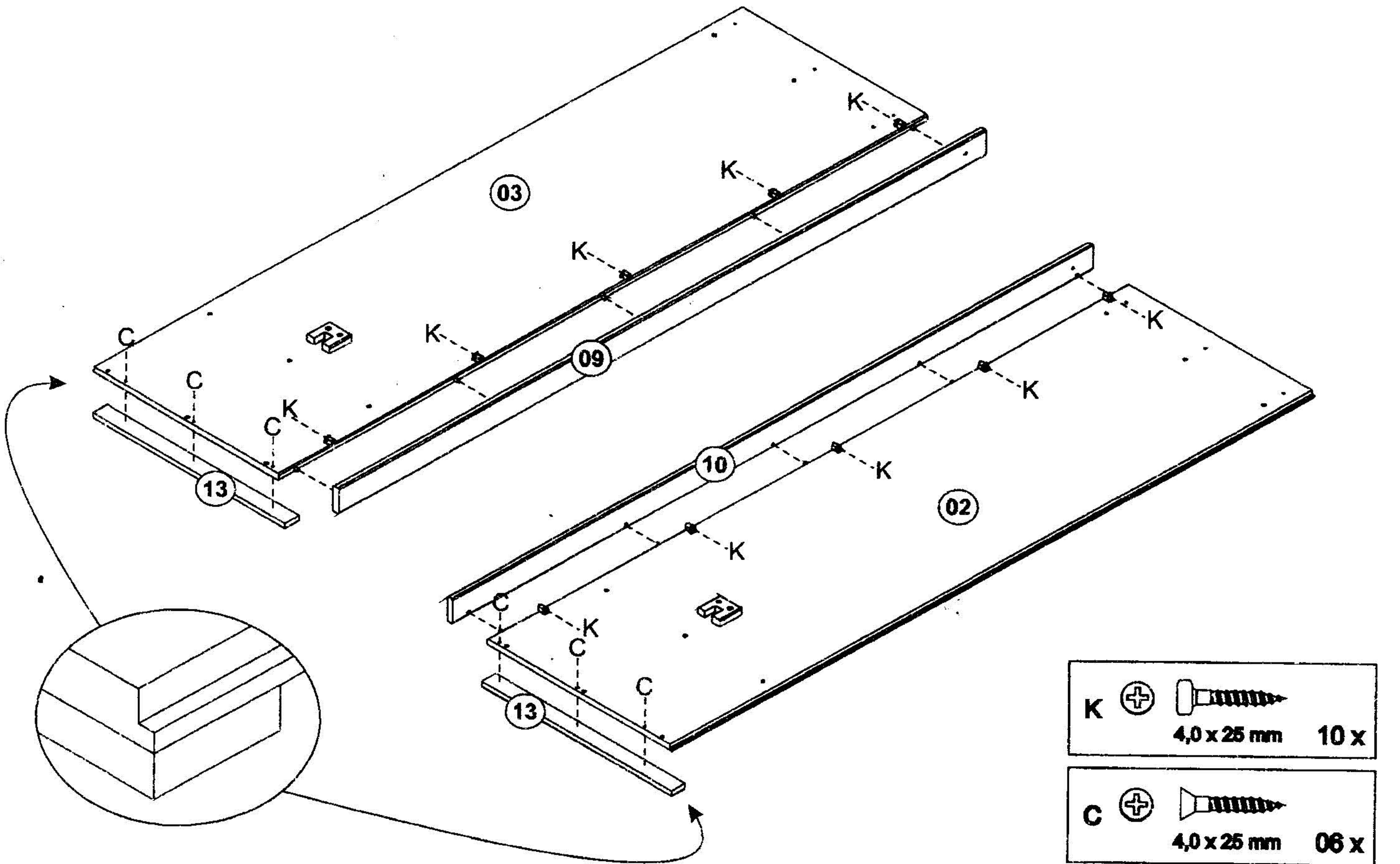
02



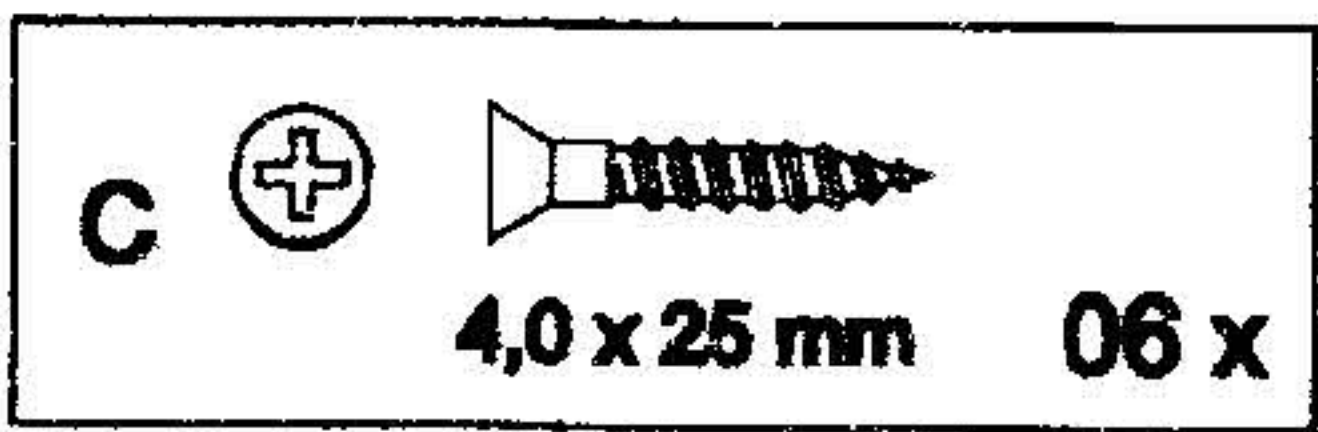
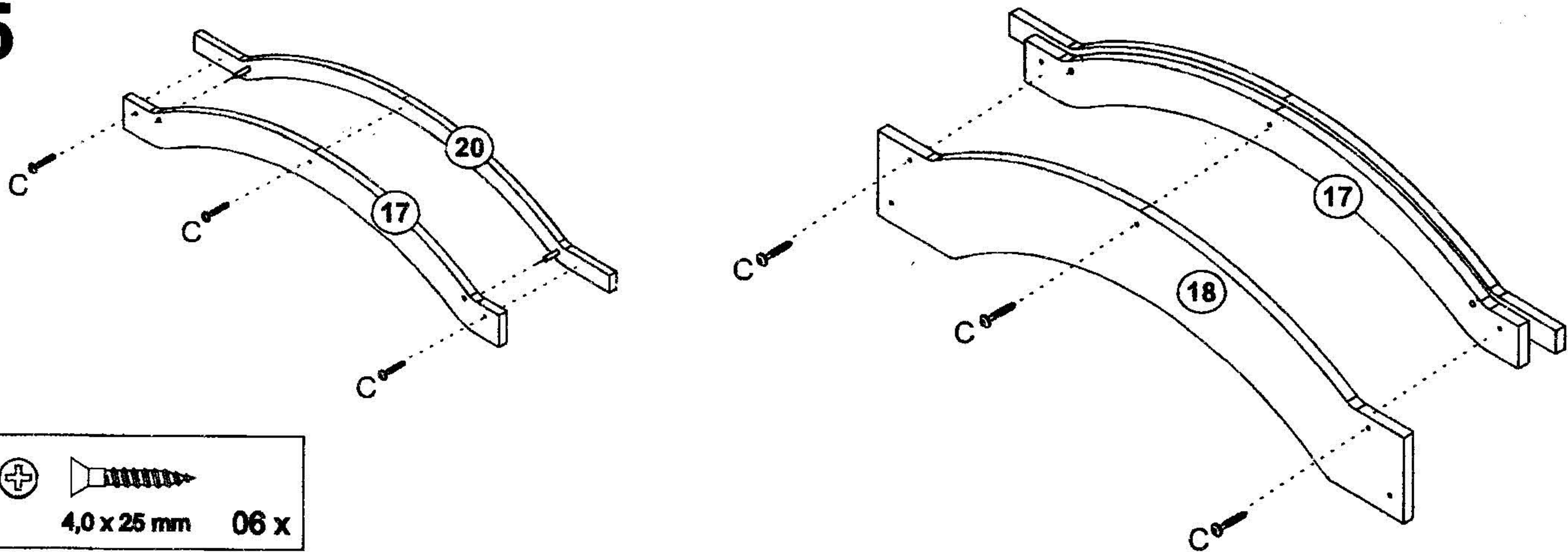
03



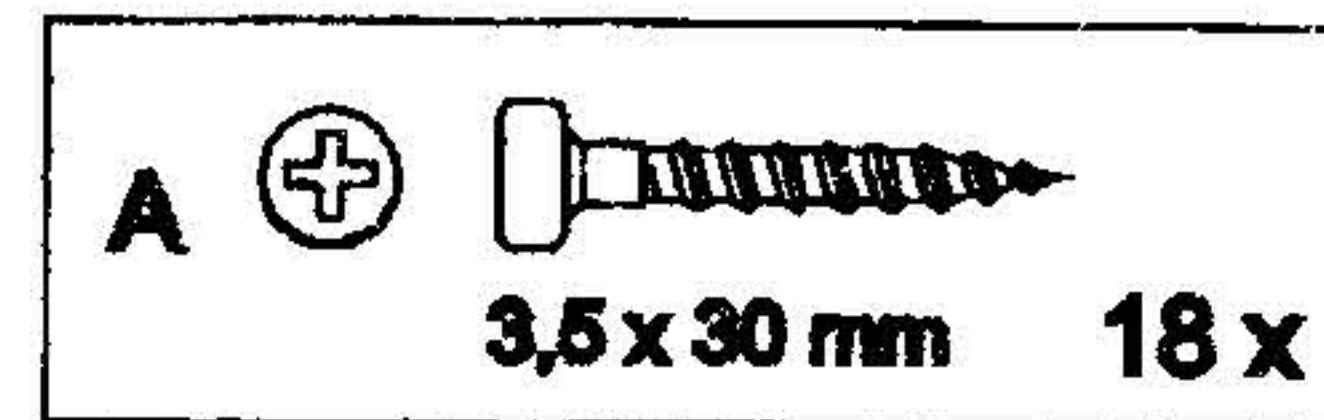
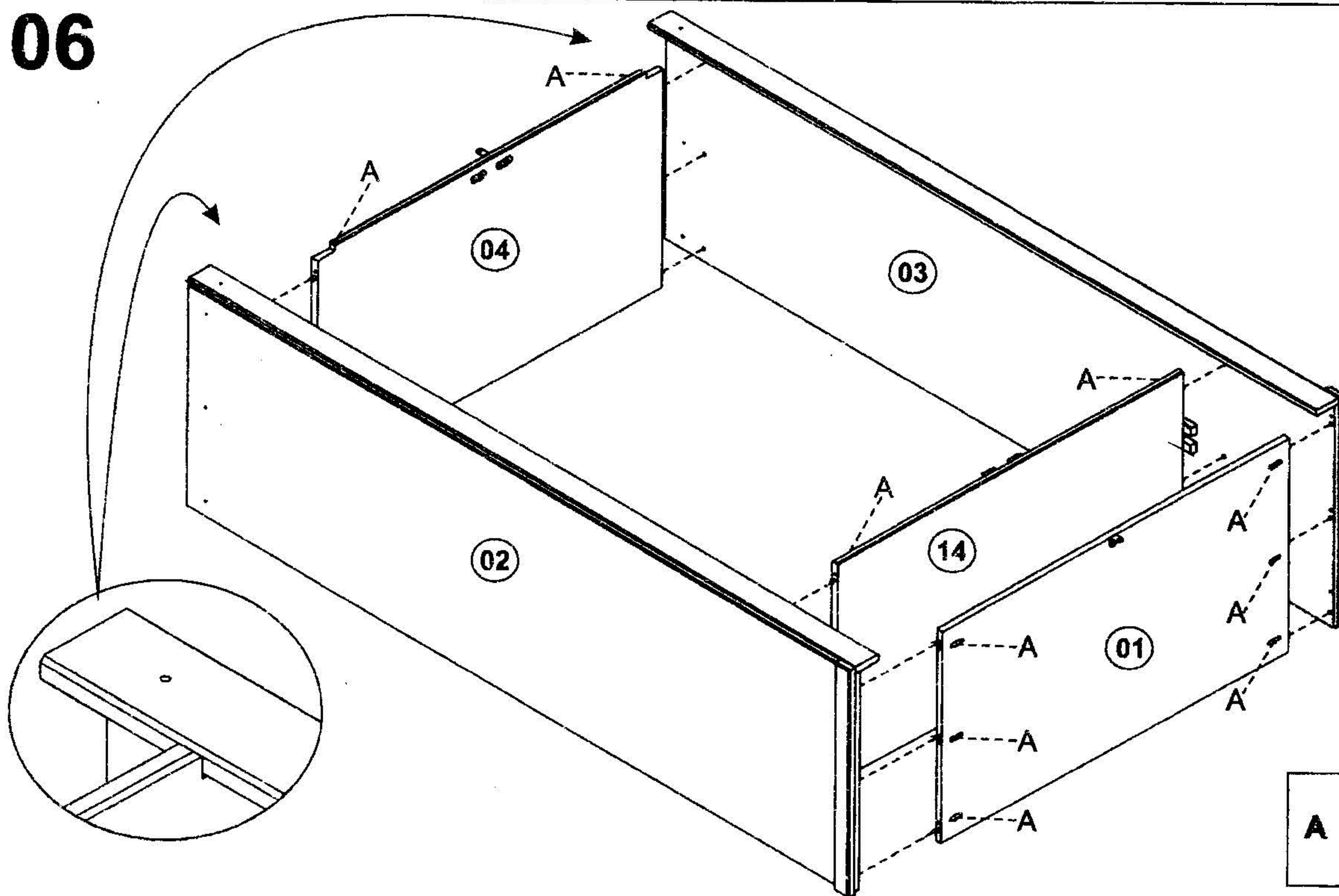
04



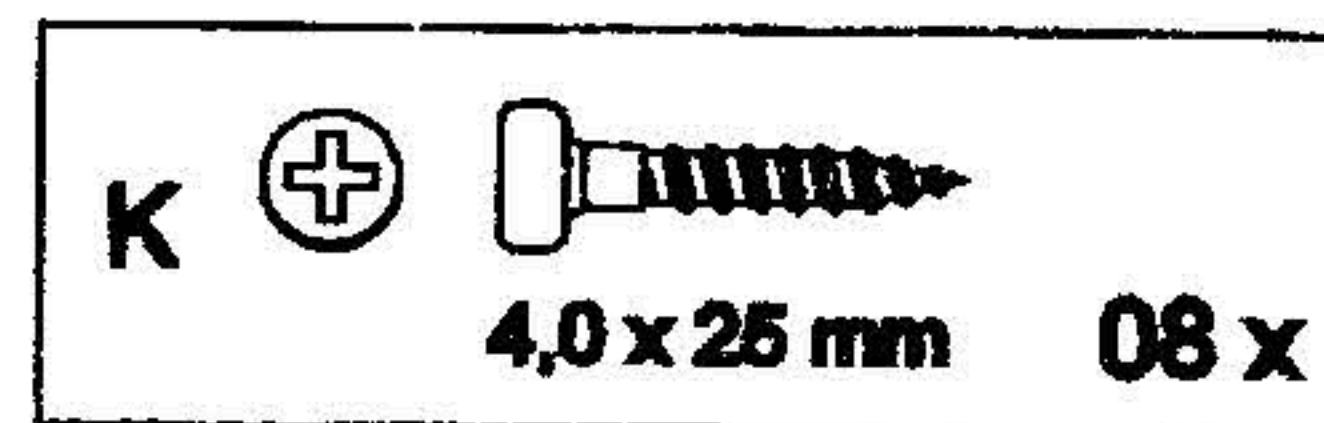
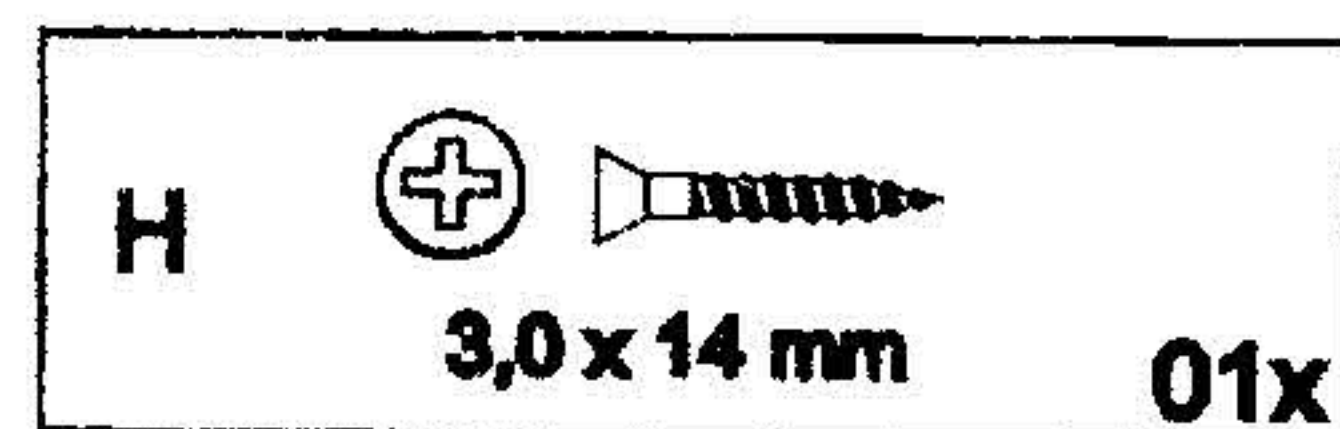
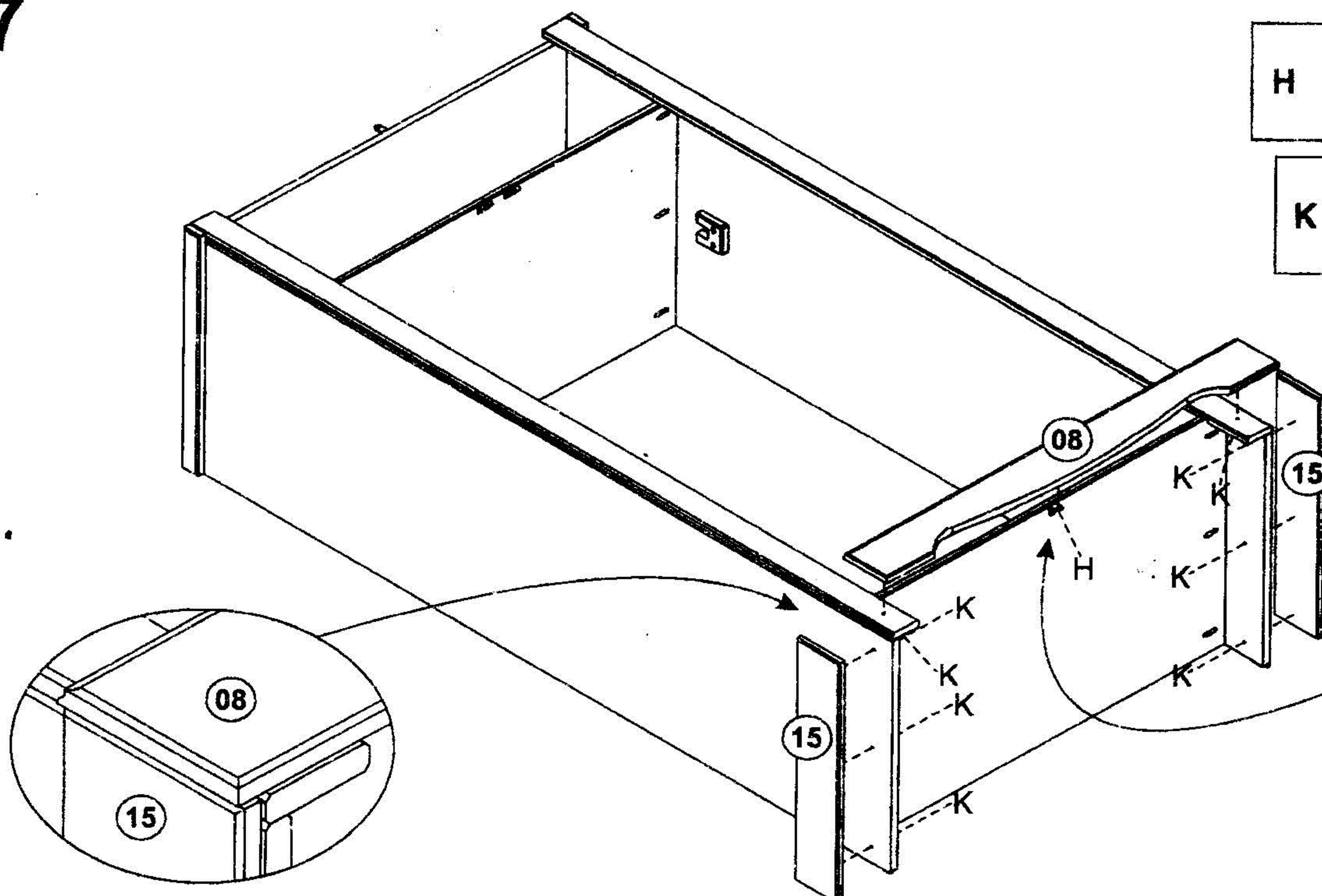
05



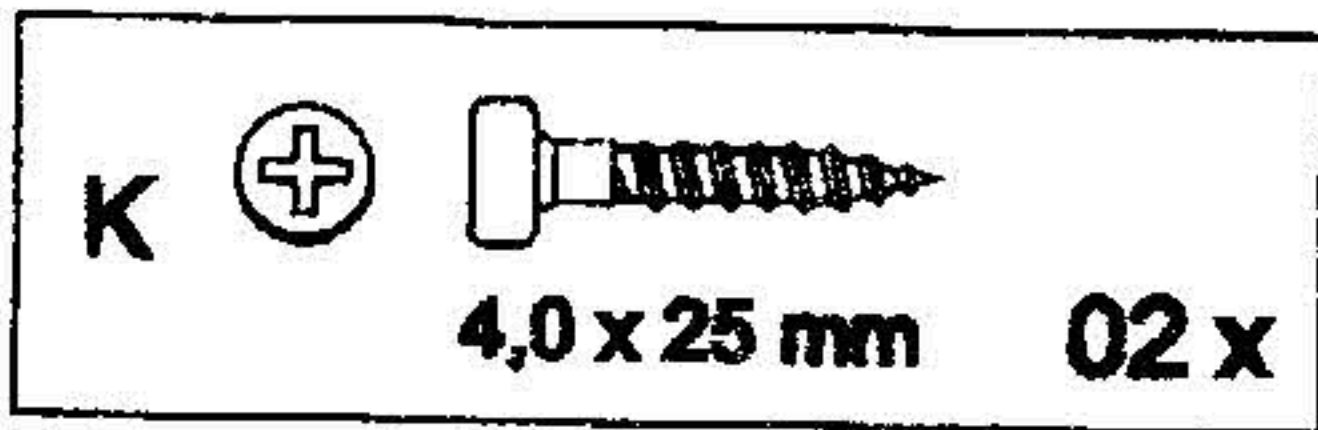
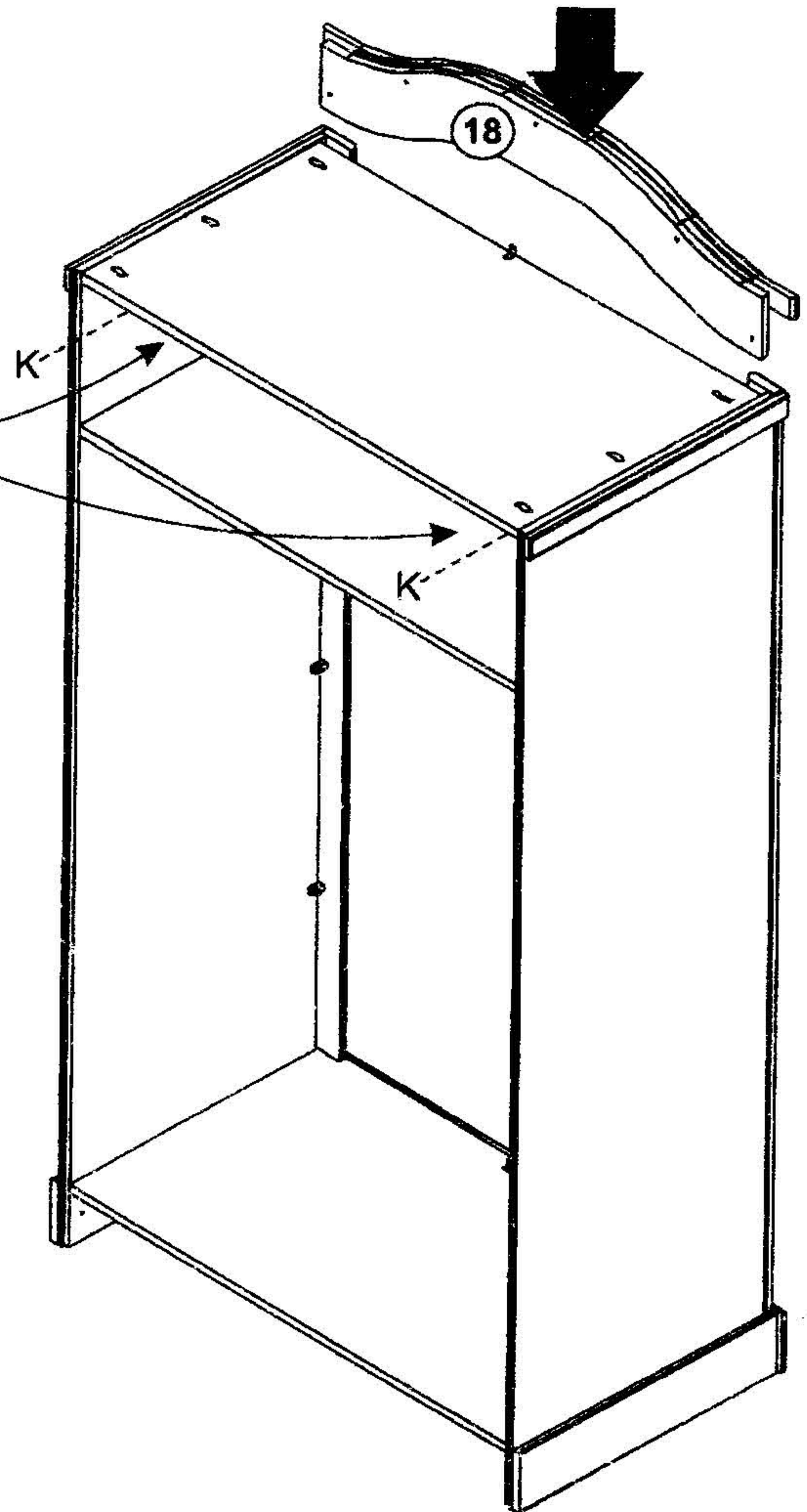
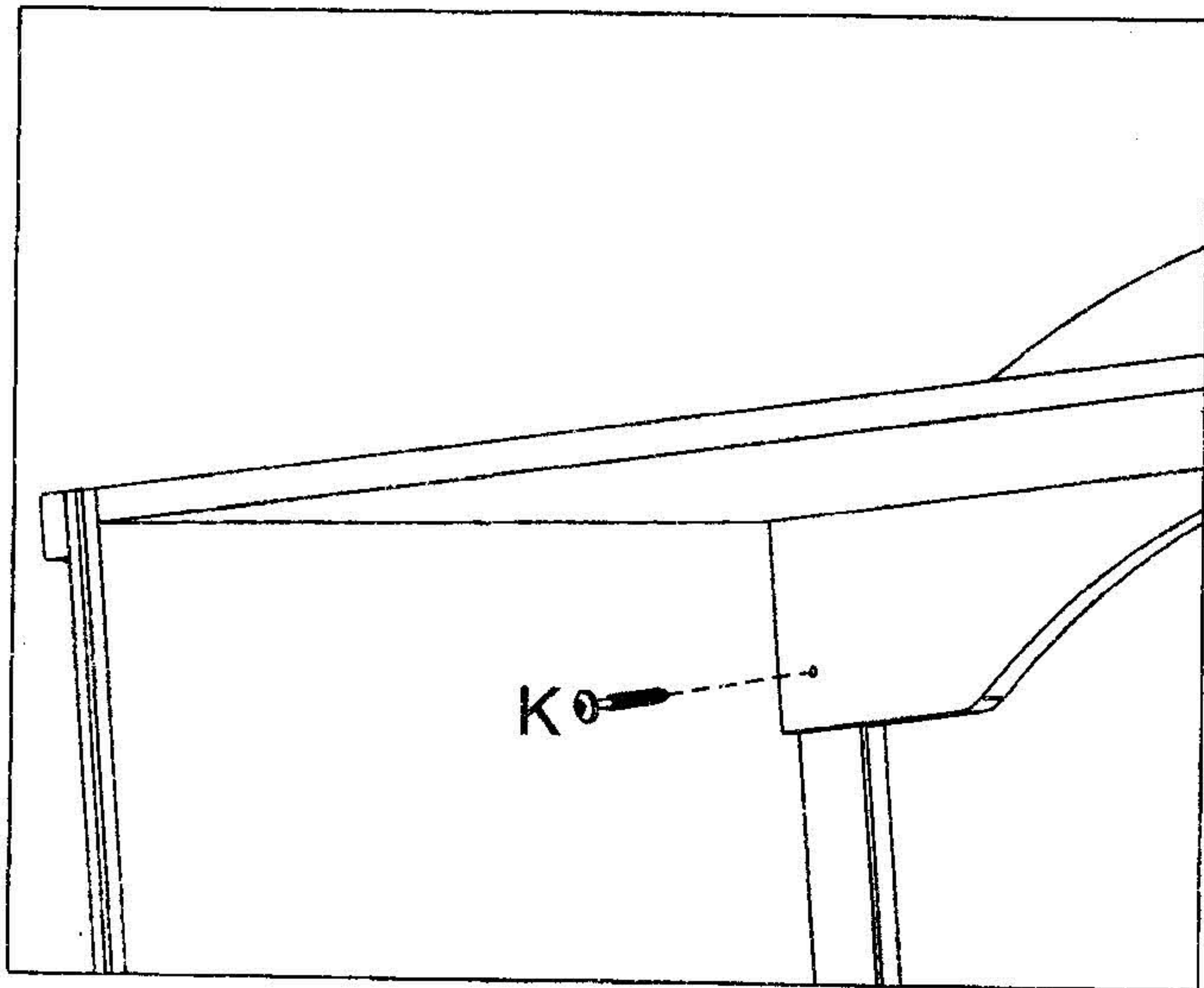
06



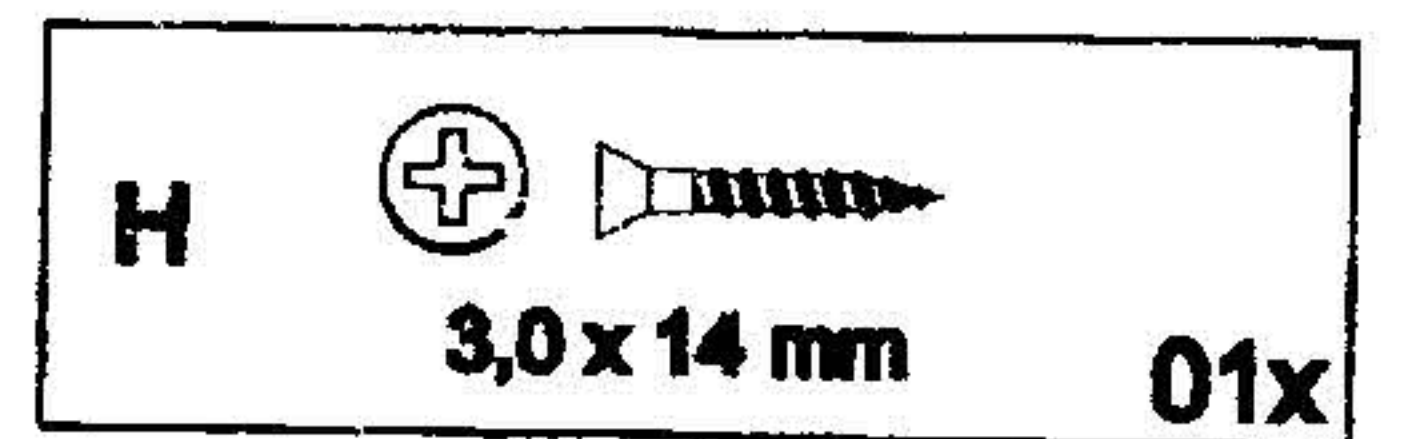
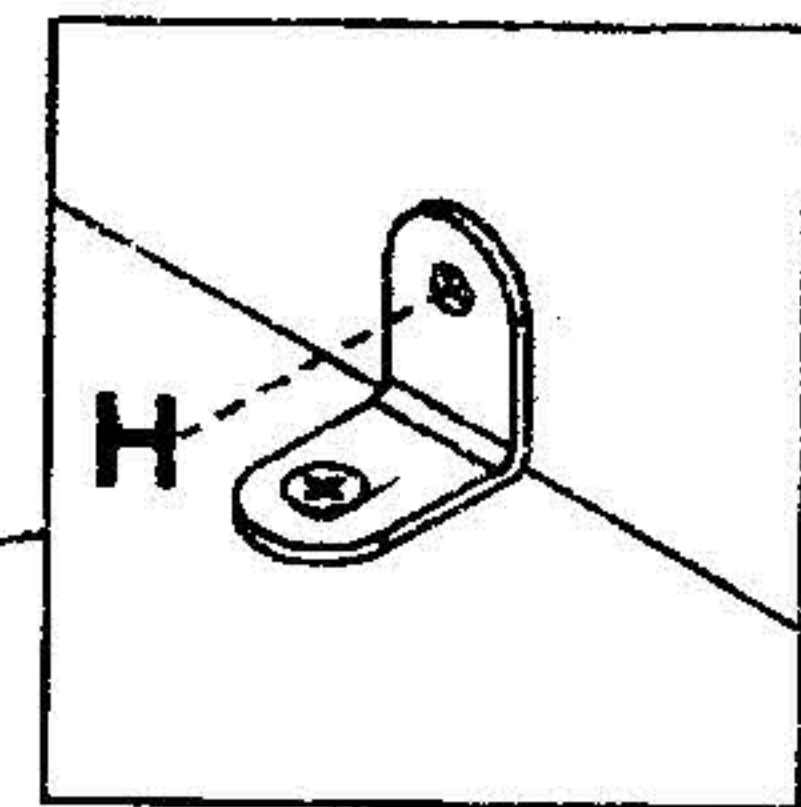
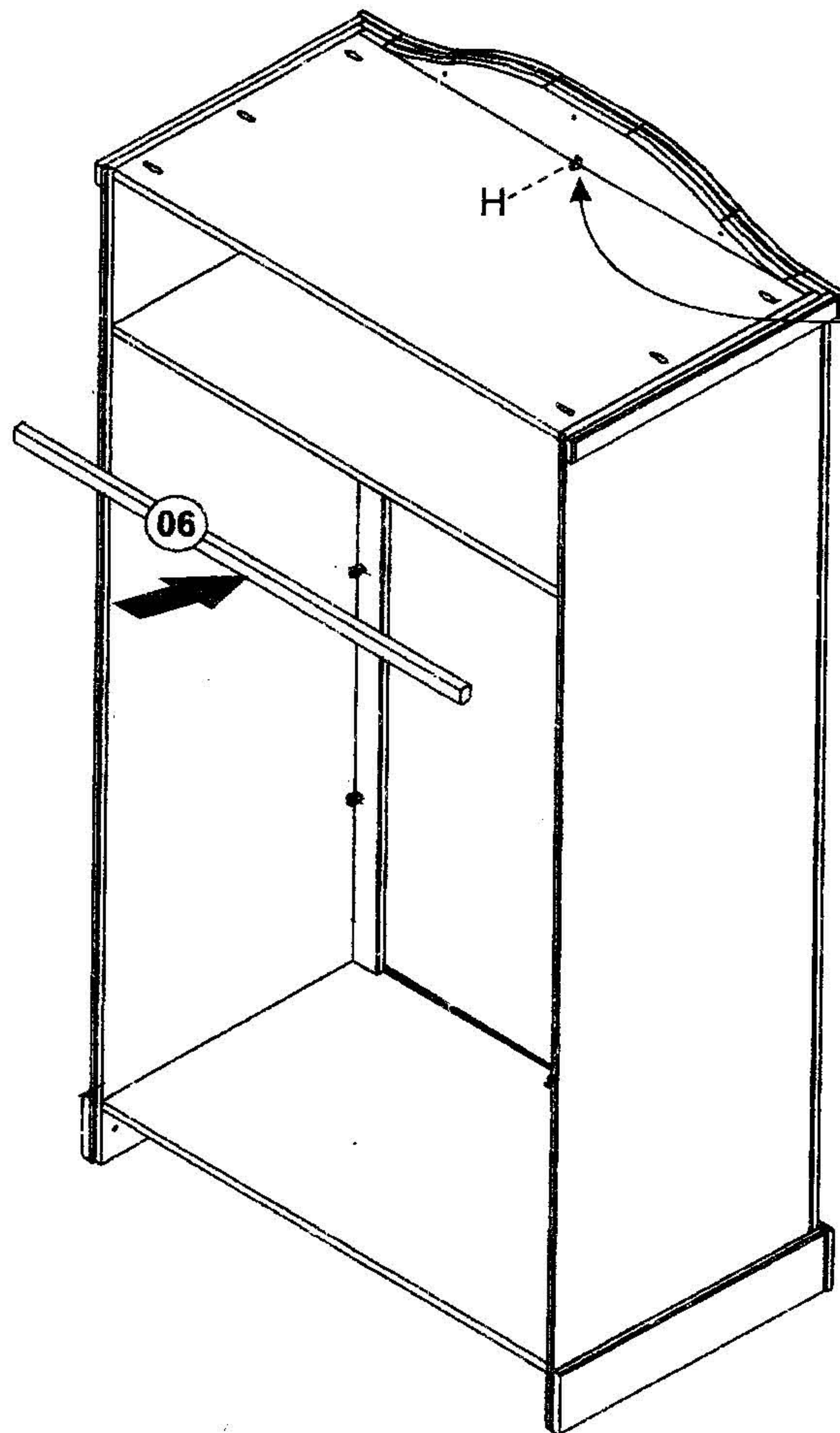
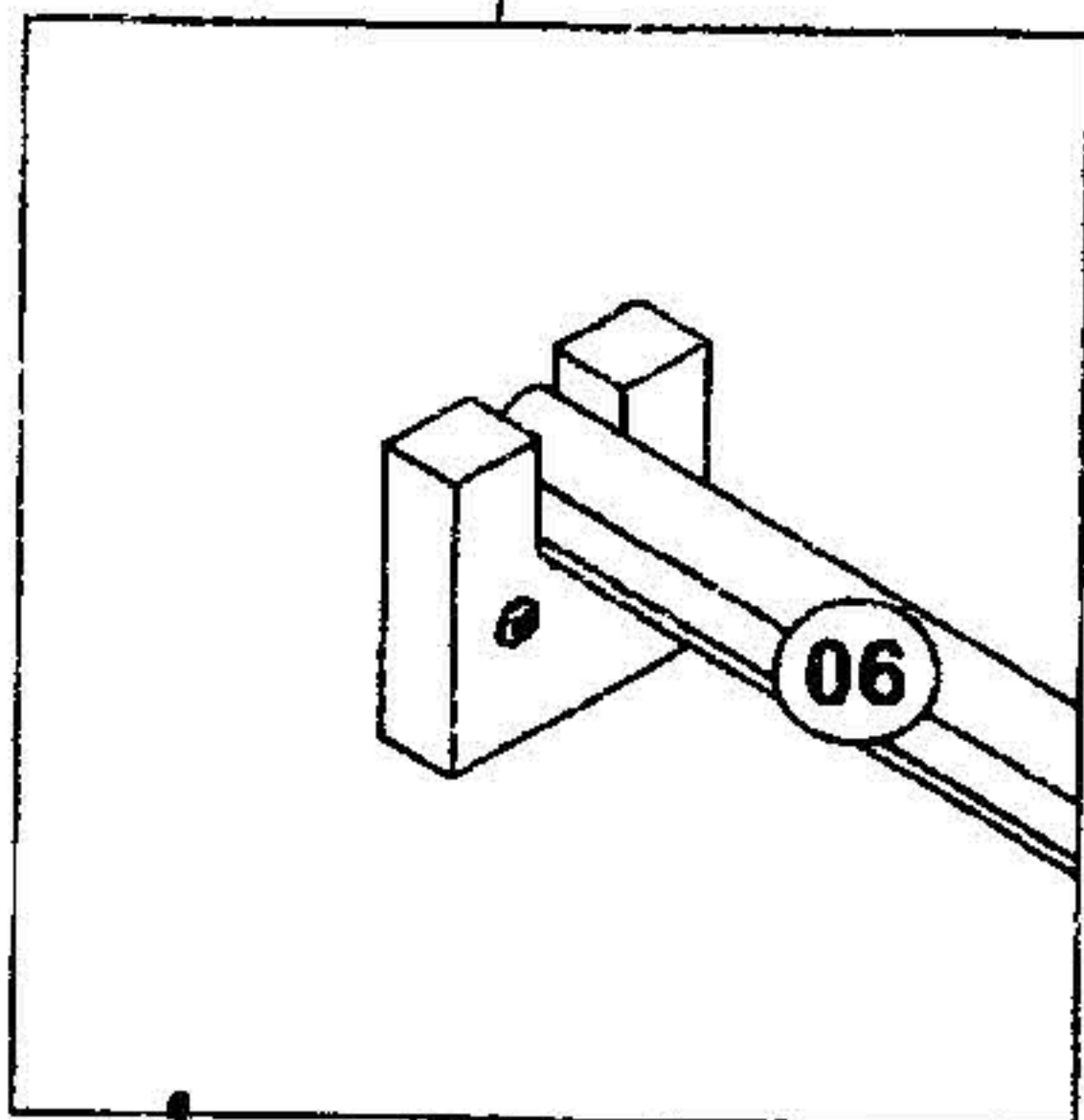
07



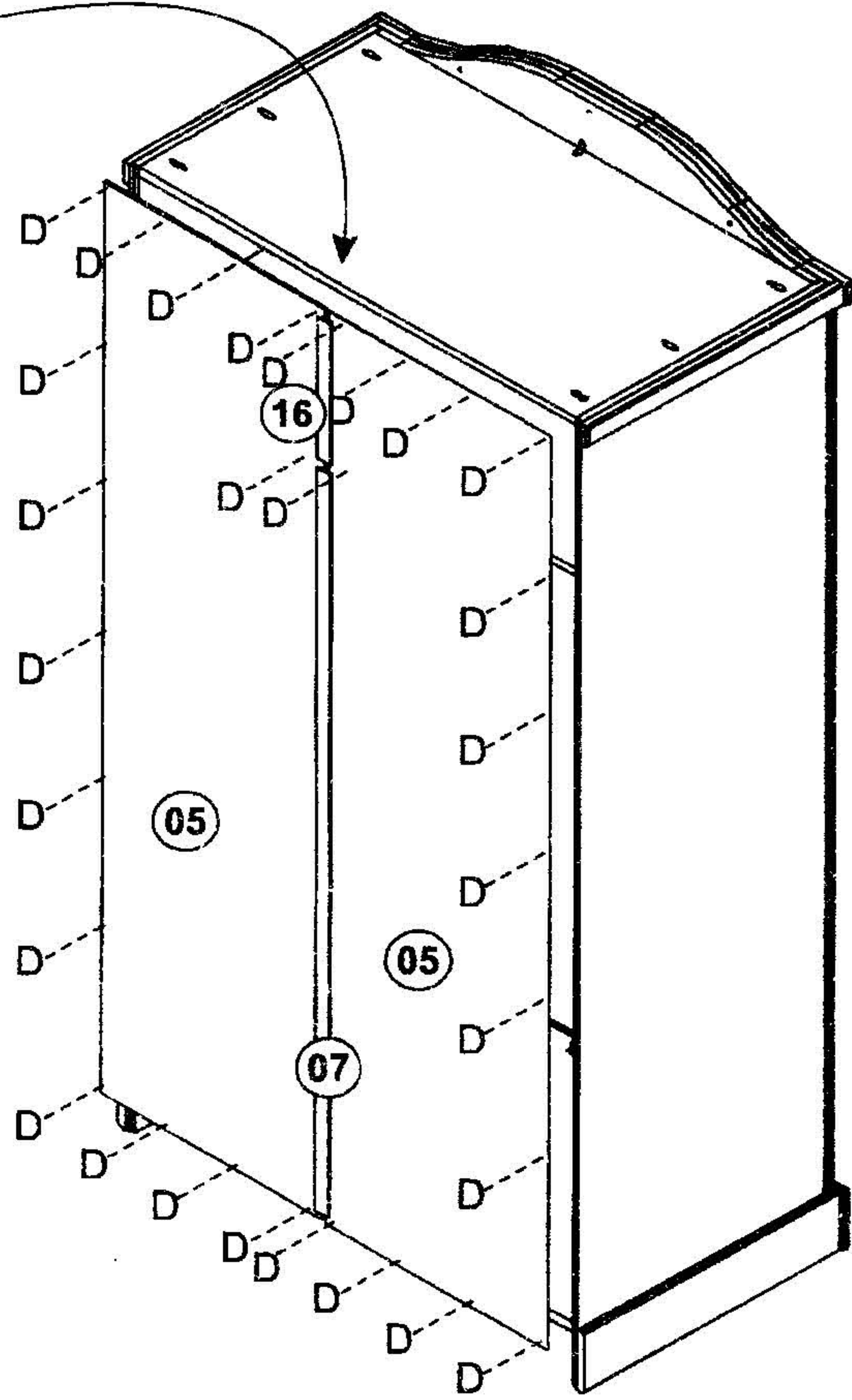
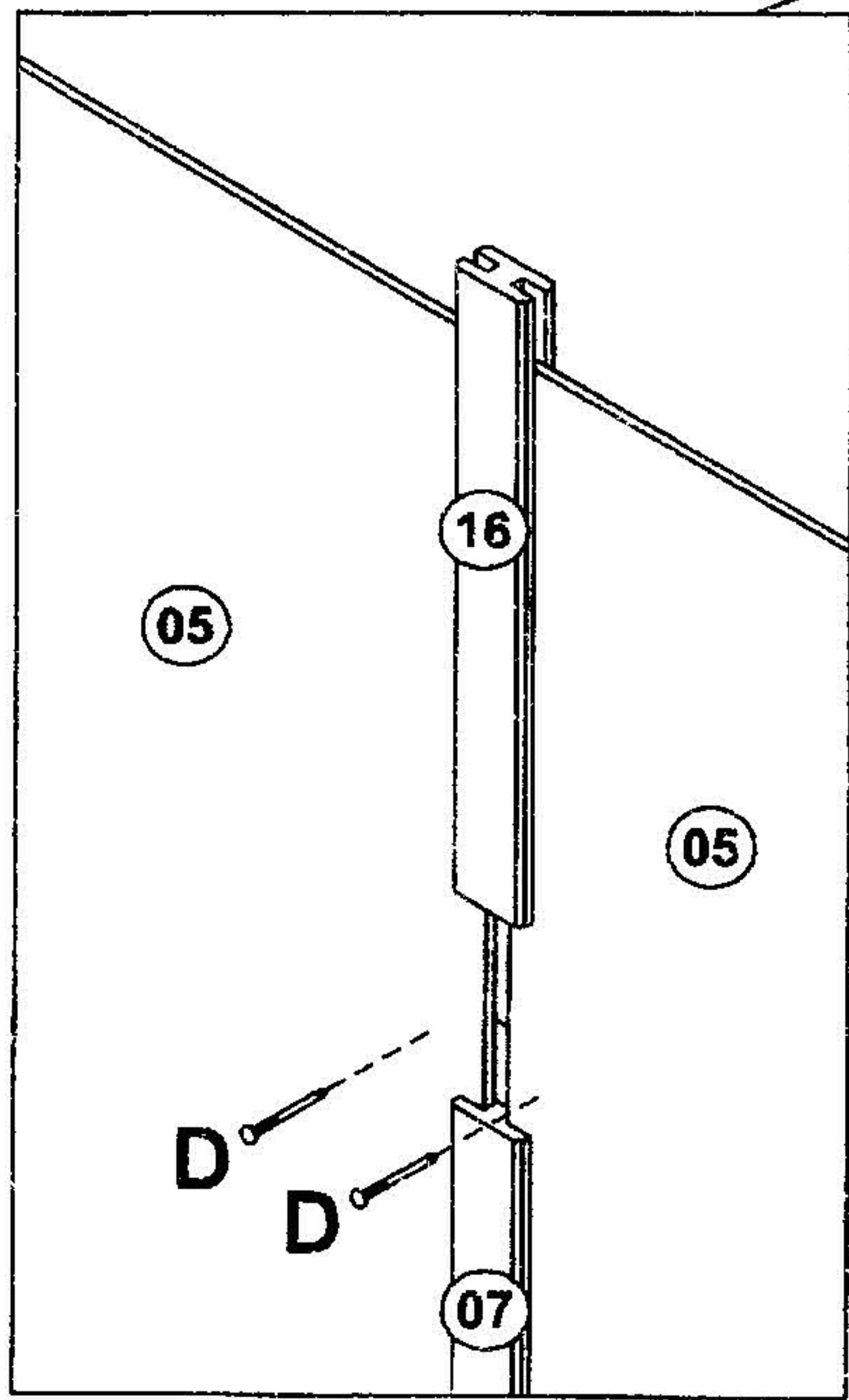
08




09

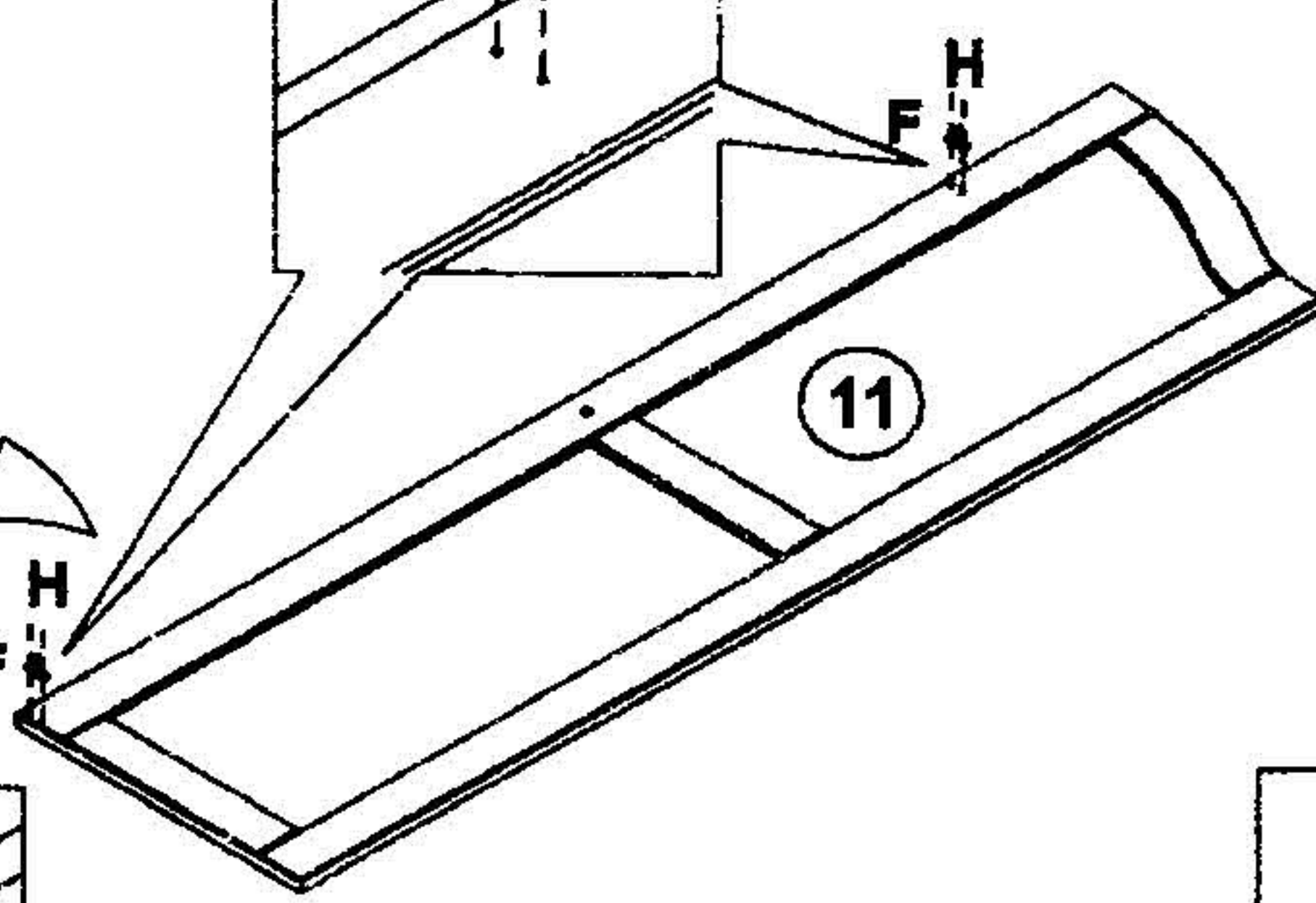
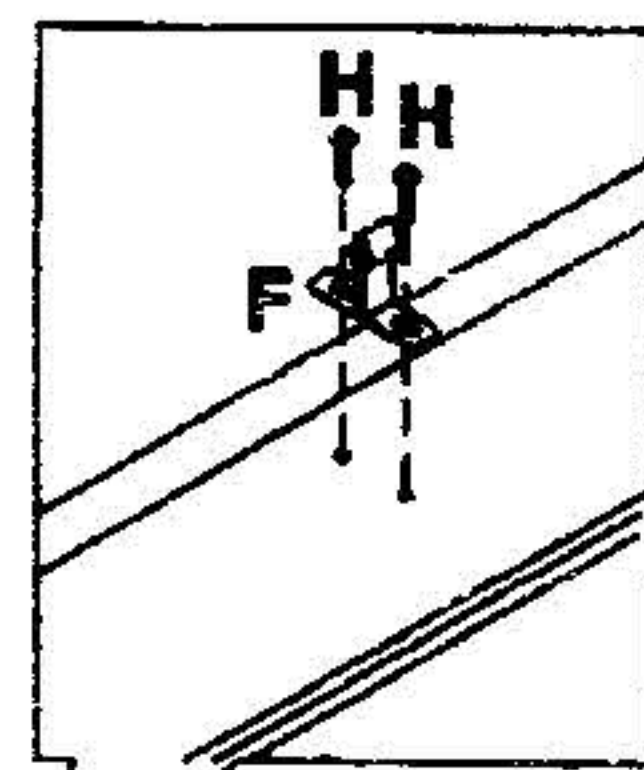
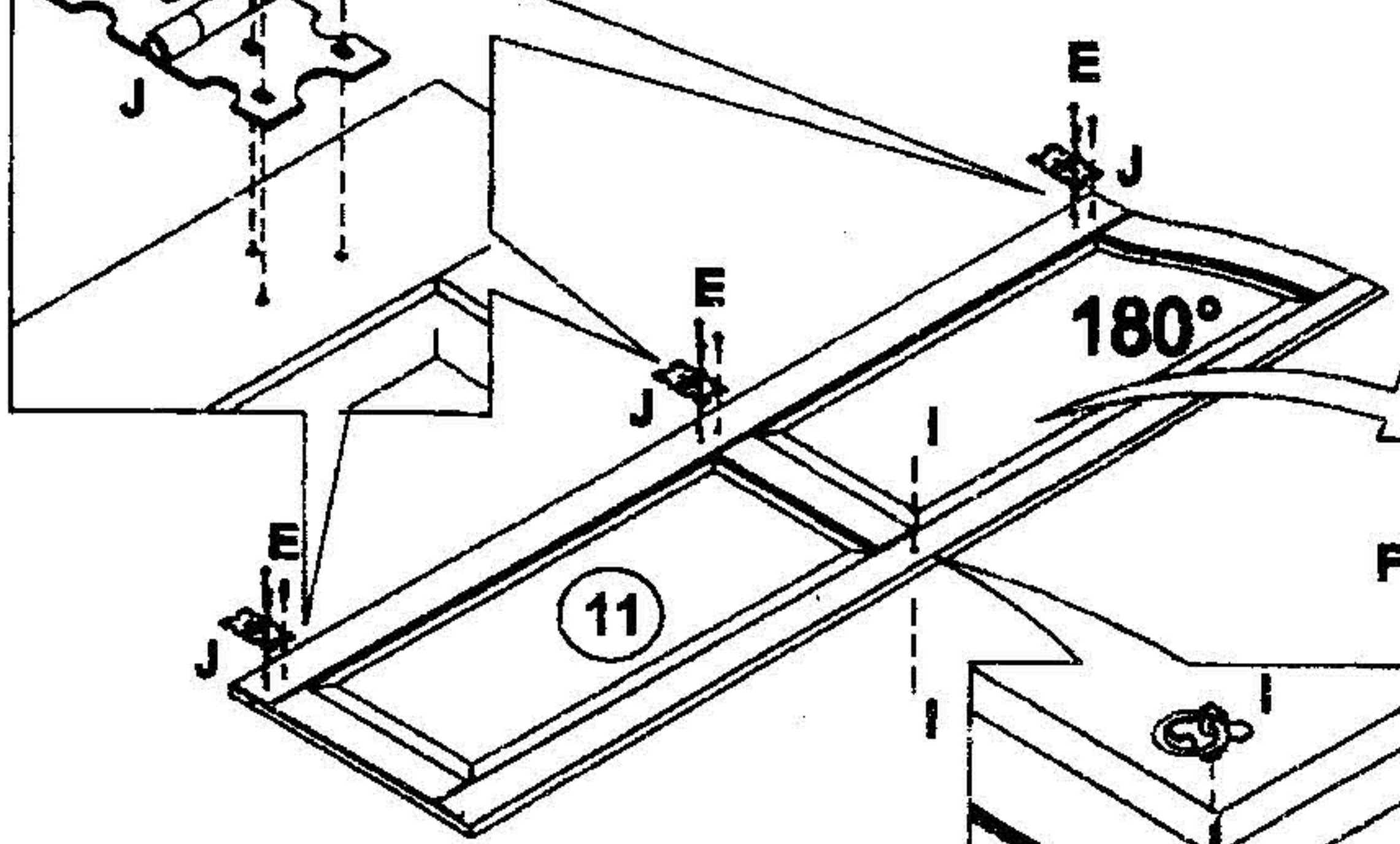
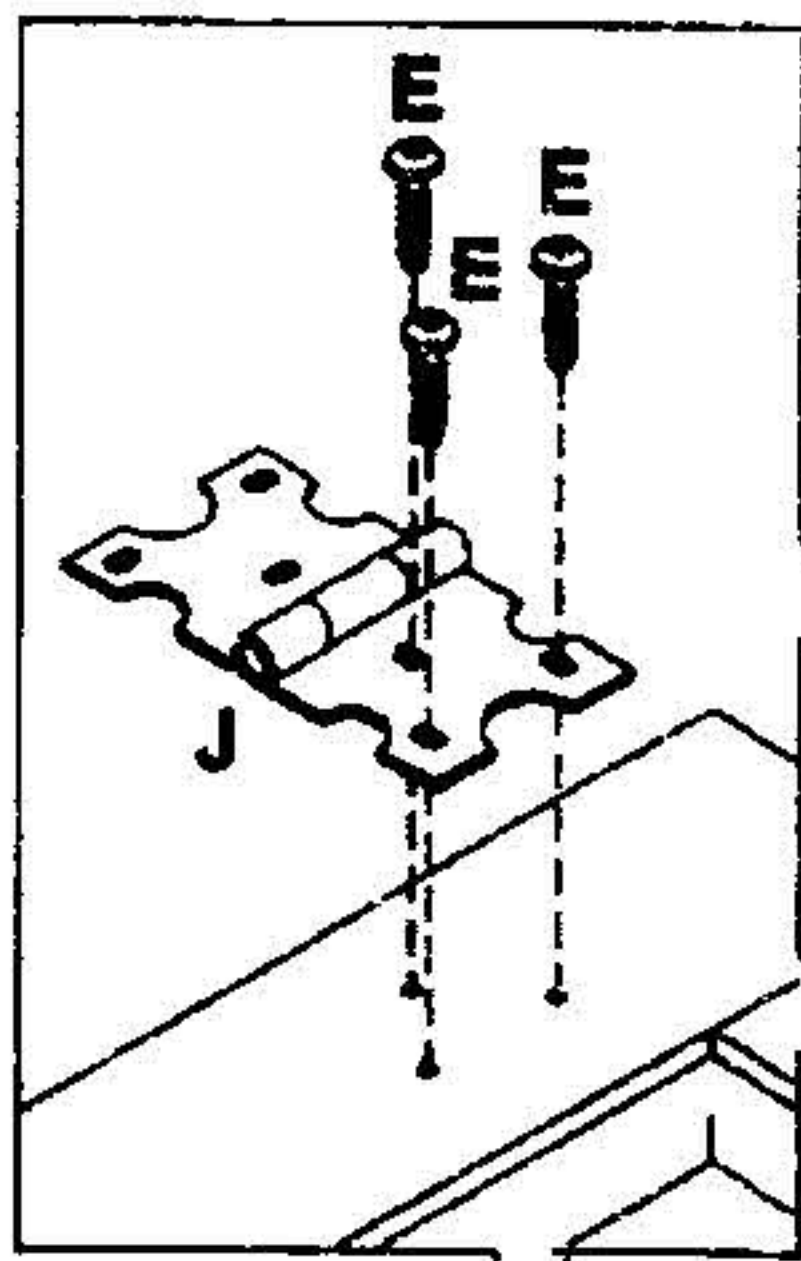


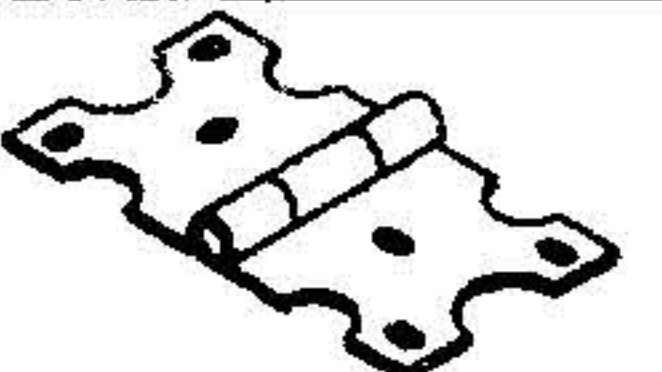
10



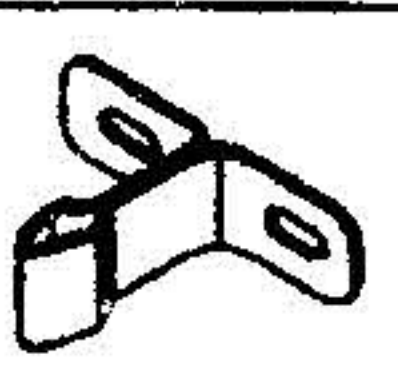
D  8x8 mm 28 x

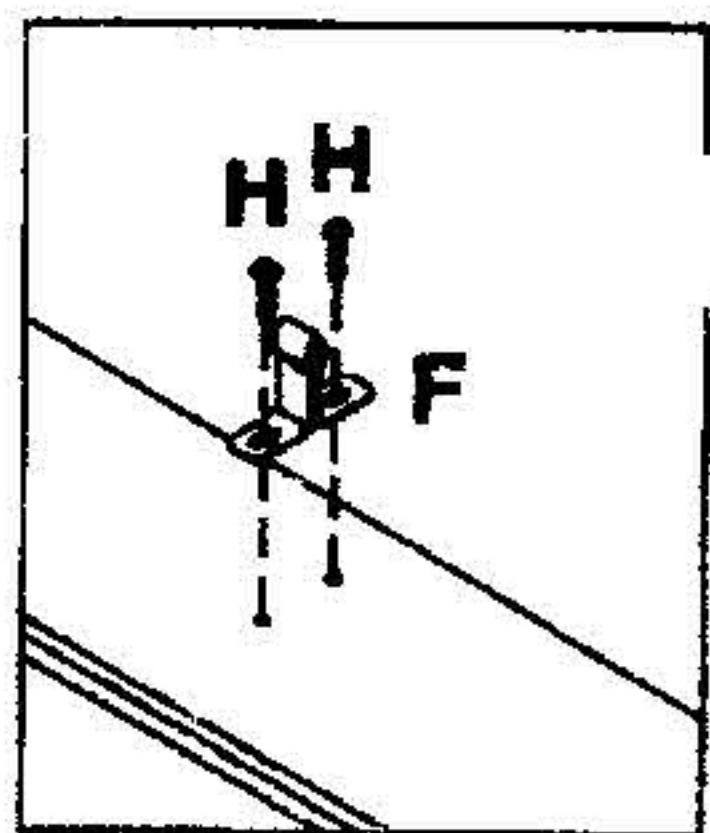
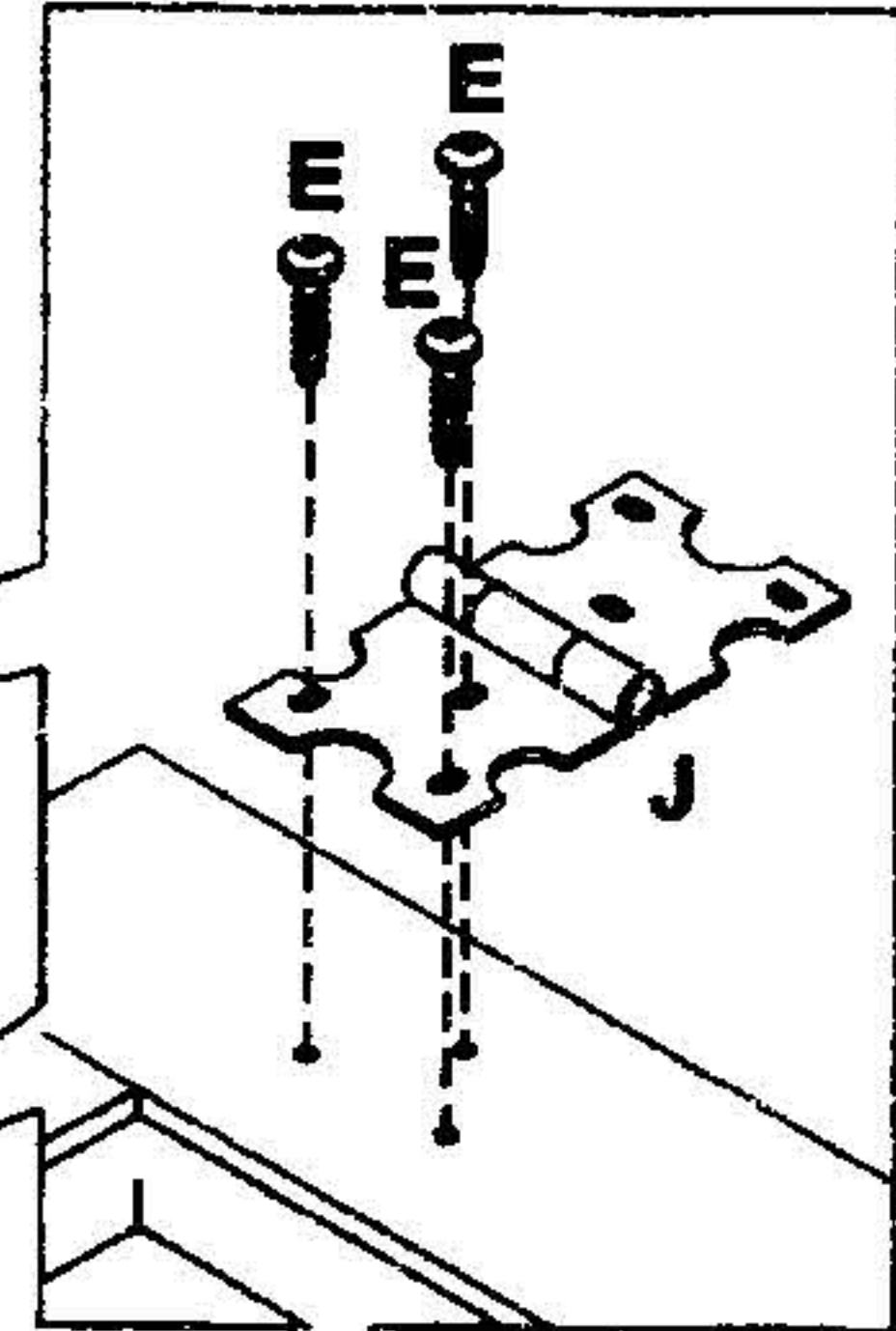
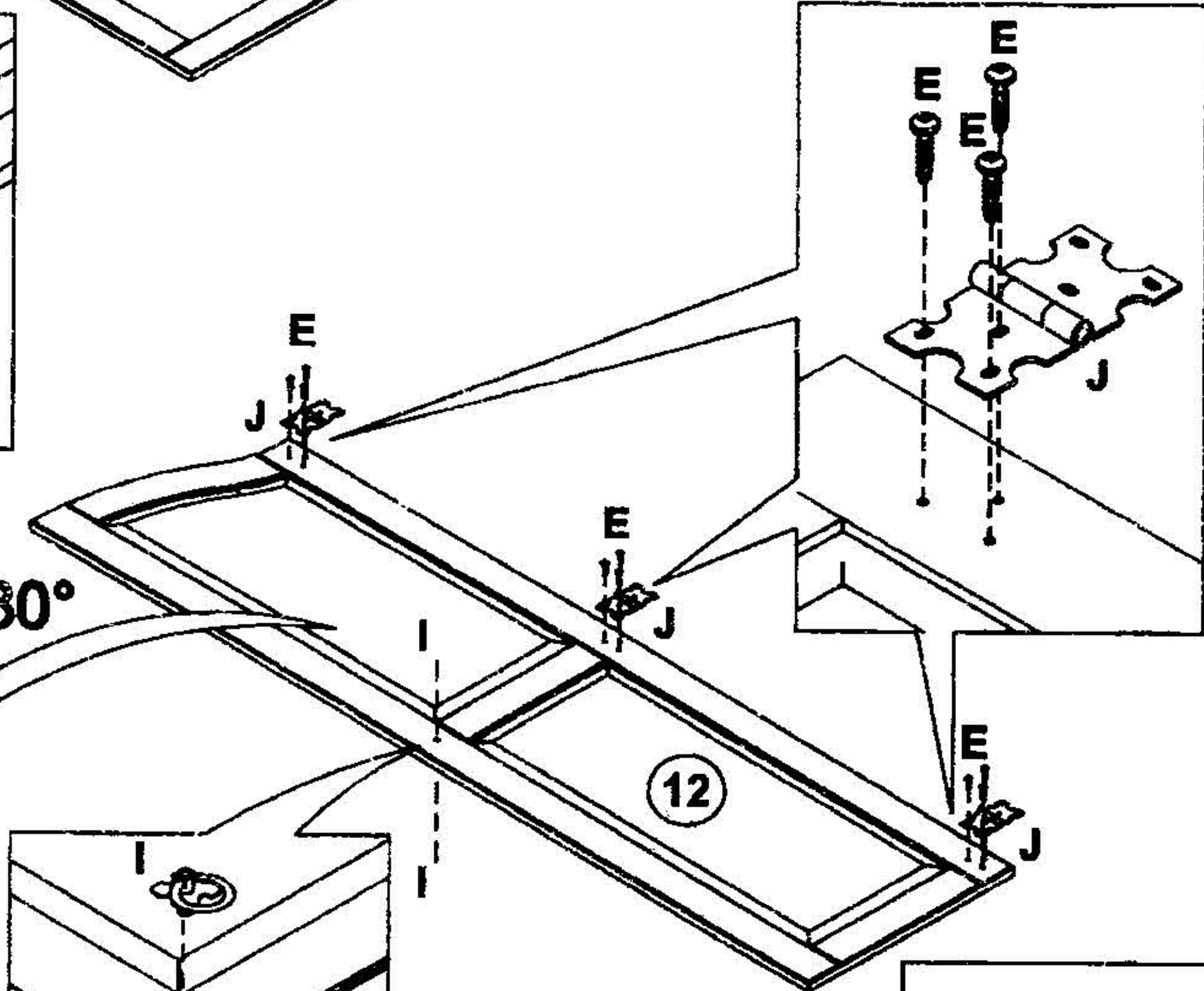
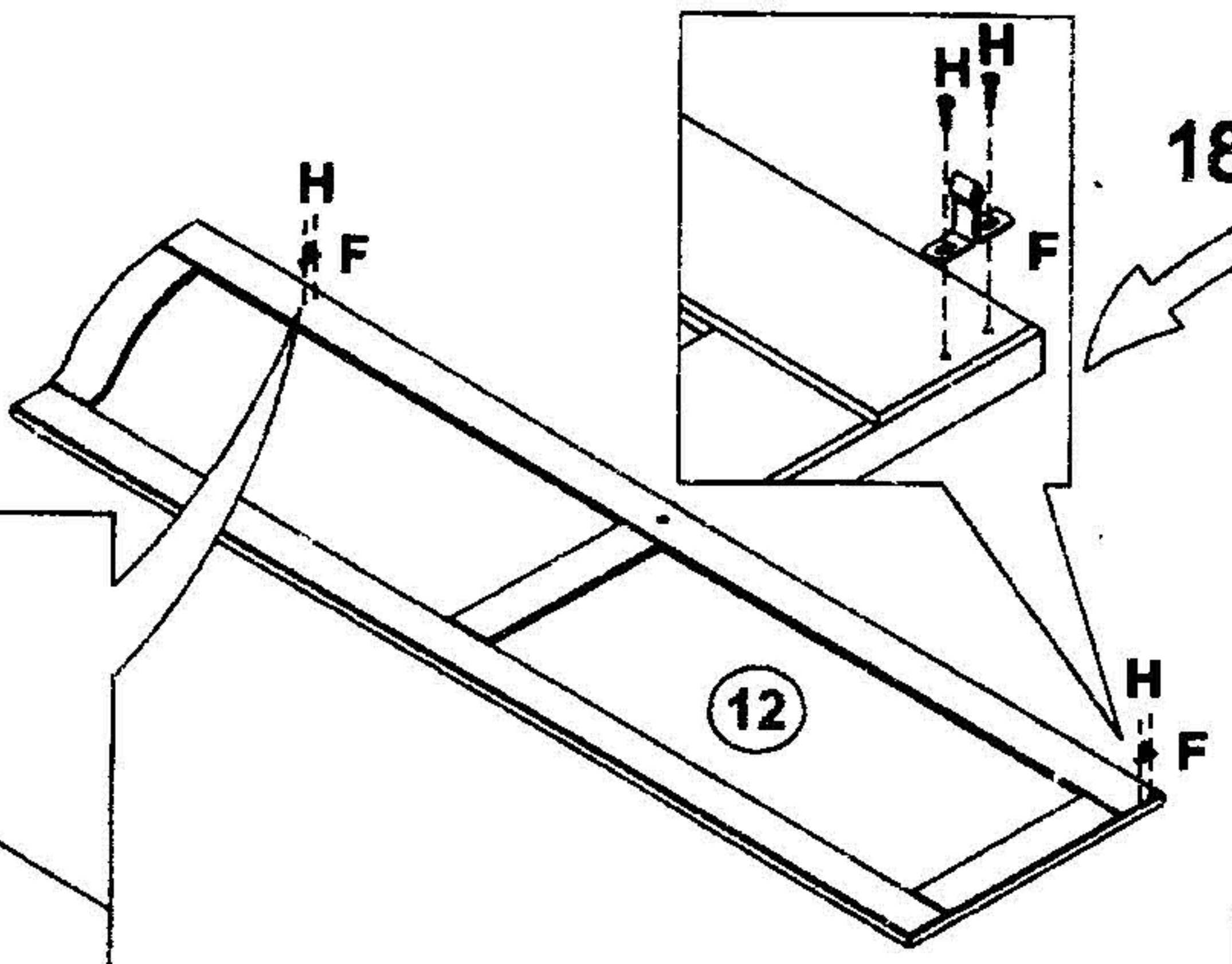
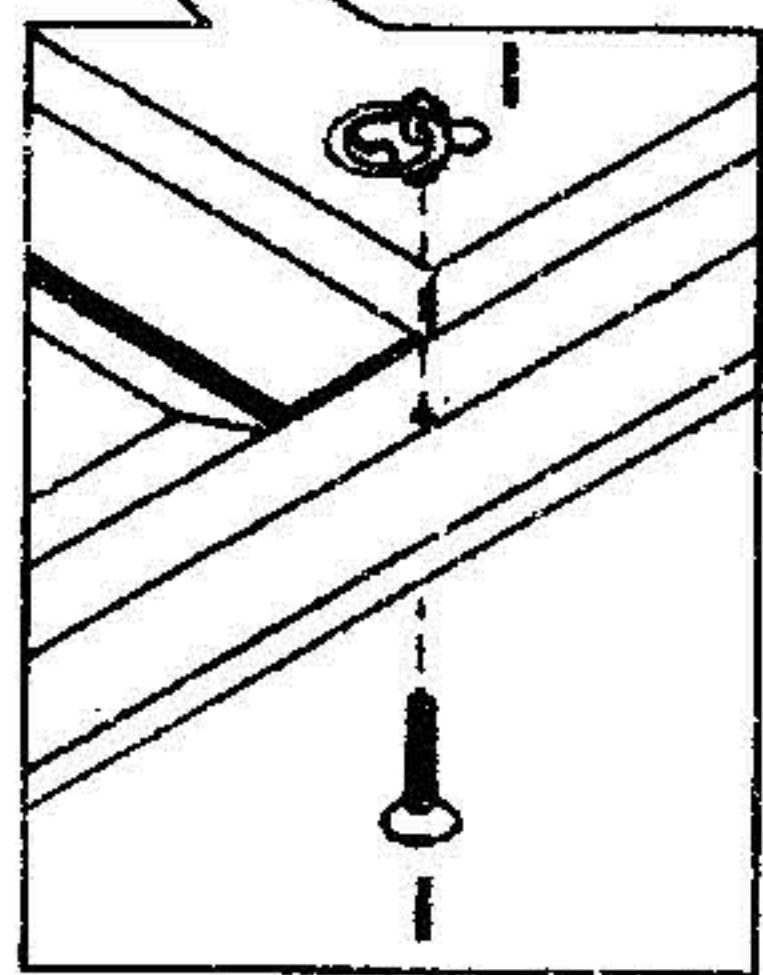
11





J  06 x

I  02 x

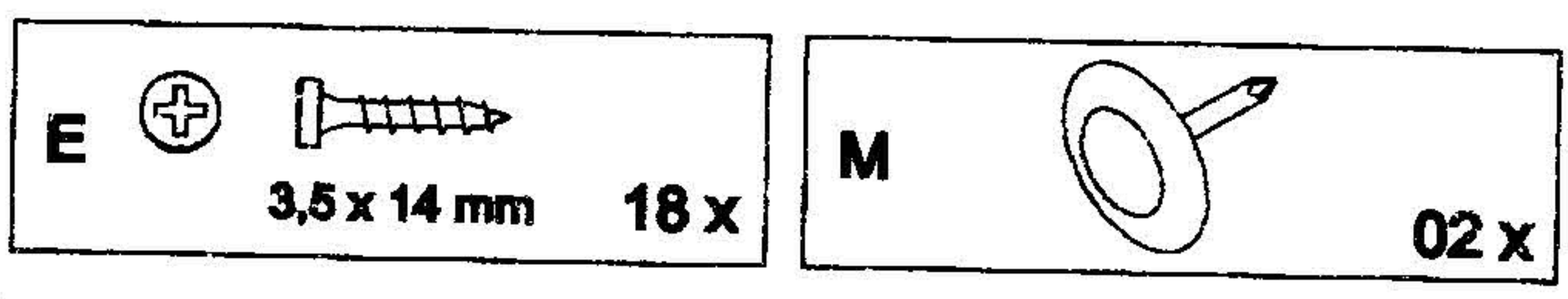
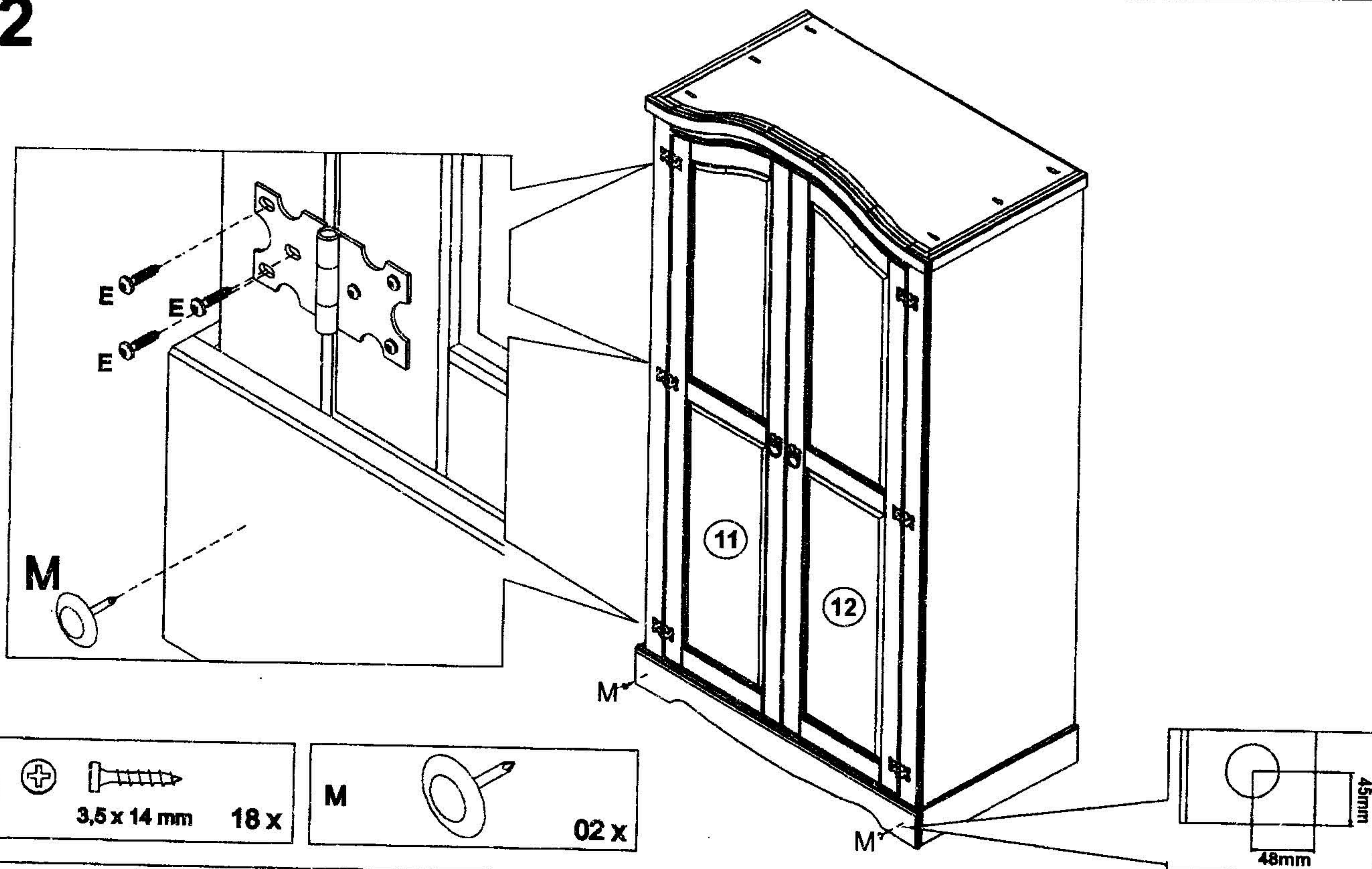
F  04 x



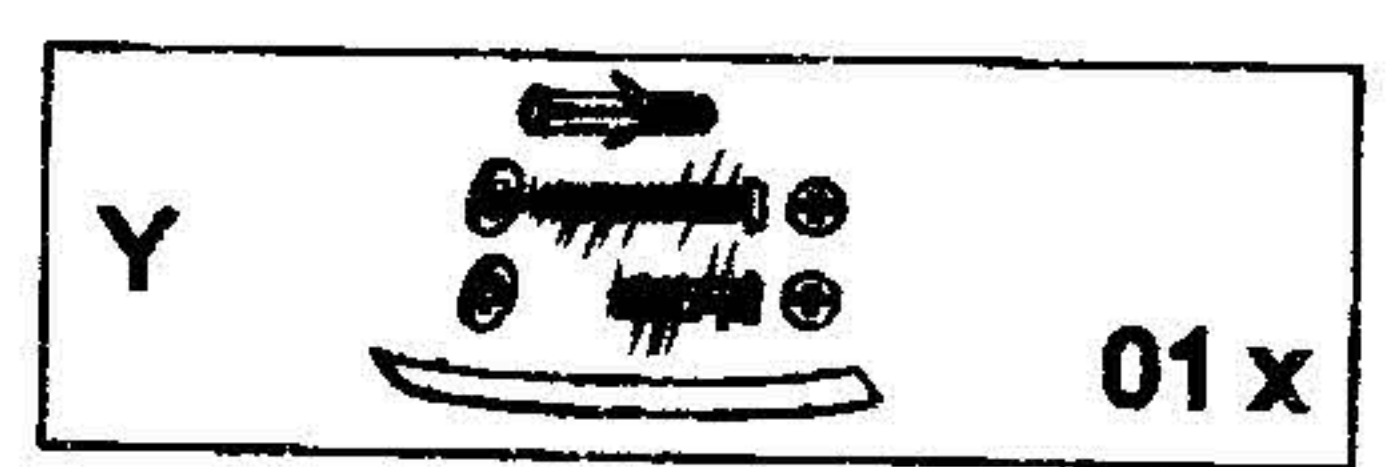
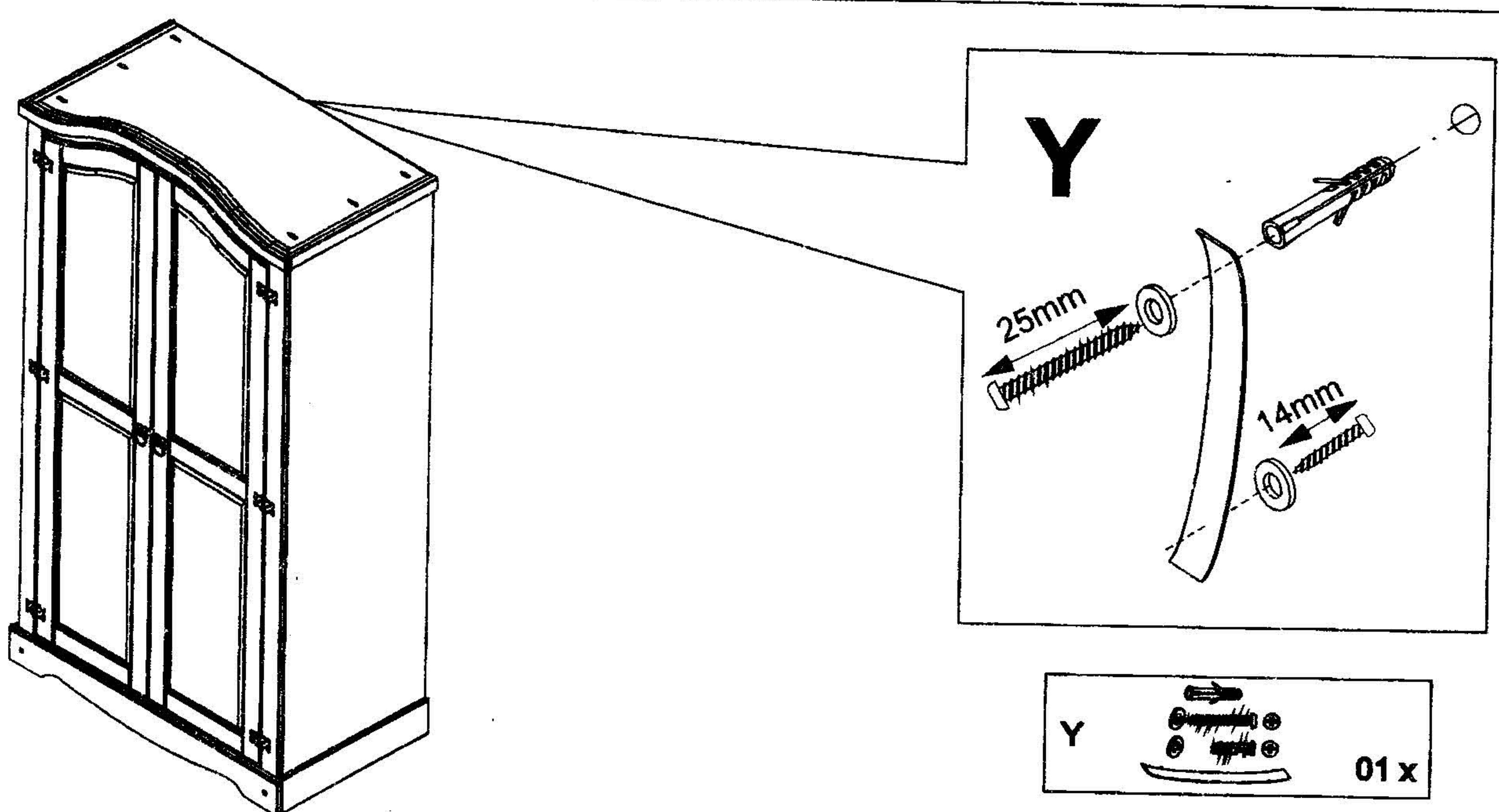
H  3,0 x 14 mm 08 x

E  3,5 x 14 mm 18 x

12



13



WARNING: CHECK FOR HIDDEN PIPES AND CABLES BEFORE DRILLING.

IMPORTANT: IF YOUR WALLS ARE NOT SOLID LIKE BRICK OR STONE, IT WILL REQUIRE SPECIAL FITTINGS (NOT SUPPLIED).

- Place the fixing strip against the wall and mark the position for drilling hole.
- Drill a hole in the wall to a depth of 30mm by using a 6mm drill bit. If the surface of your wall is soft and crumbly, we would advise you to use a 5mm drill bit for a tighter fit.
- Insert the wall plug into the hole with end flush to the wall surface.
- Attach fixing strip to the wall using the 25mm screw + washer and securely tighten.
- Pre-drill small pilot hole on the back edge of the furniture top using a 2mm drill bit. Attach the other end fixing strip to the back edge of the furniture top using the 14mm screw + washer and securely tighten.