



## XOPIZZA4W\_ LUXURY WOOD-FIRED PIZZA OVEN

PUT SOME AWESOME IN YOUR BACKYARD



**XOPIZZA4WRO**

- Designed and Crafted in Italy
- Patented AirPlus System Heats Faster
- Certified Alimentary Brick Oven Floor
- Stainless Steel Internal Dome

### XO LUXURY WOOD-FIRED HEARTH OVEN

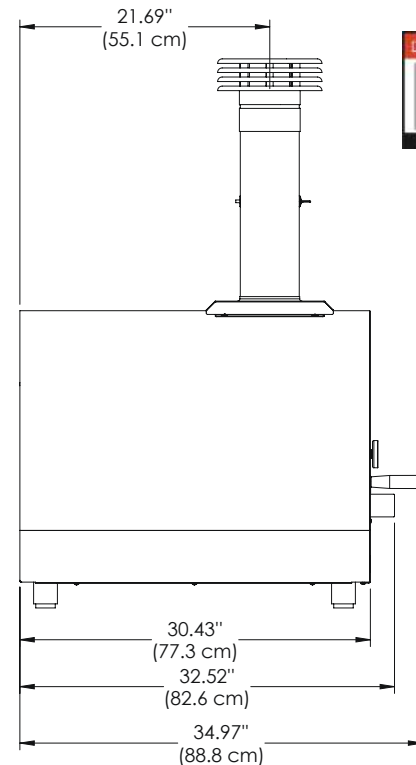
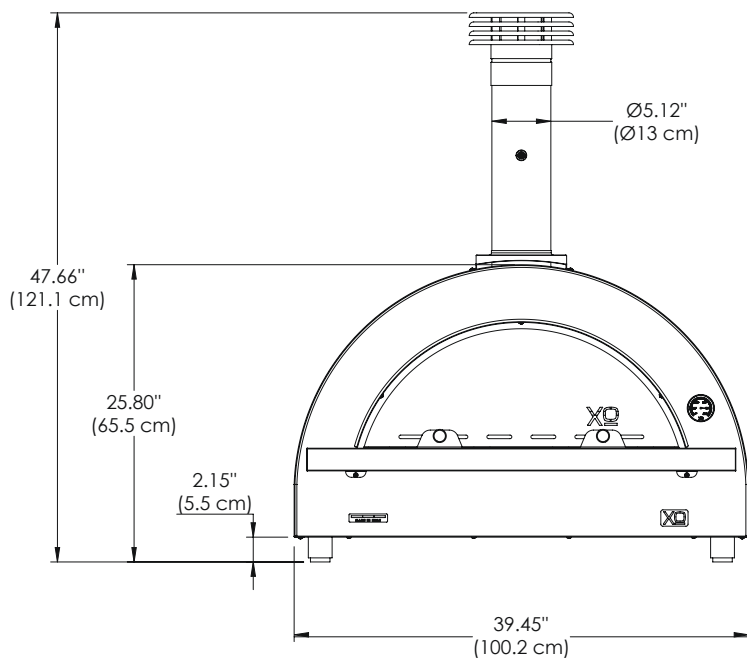
The XOPIZZA4 series by XO offers an authentic Italian wood-fired pizza experience with robust features to meet the demands of entertaining larger gatherings of family and friends.

The fire brick hearth is lined with double-layered ceramic insulation for excellent heat-retention and superior cooking performance. The oven dome features a durable, UV-resistant powder coat finish to help prevent color fading year-round and is complimented by a signature XO chimney cap and oven door handles.

WORLD CLASS SERVICE | COMPREHENSIVE WARRANTIES

**OUR LASTING COMMITMENT TO YOU**

## LUXURY WOOD-FIRED PIZZA OVEN



## FEATURES

FINISH



XOPIZZA4WRO



XOPIZZA4WCA

FEATURES

- Patented Air Plus system achieves cooking temperatures in 15- 20 minutes
- Refractory ceramic floor - insulated to retain heat
- Specially shaped dome retains heat and cooks food evenly
- Stainless Steel door with air control (optional glass door shown above)
- Stainless steel stack damper for precise temperature control
- Built-in thermometer displays internal temperature
- 3 durable designer colors to choose from
- Install the stack and you're ready to bake
- Made in Italy

## SPECIFICATIONS

**RECOMMENDED FUEL** HARDWOOD

**DIMENSIONS**  
 H 47 11/16"  
 W 39 7/16"  
 D 32 1/2"

**COOKING AREA** 31-1/8" x 23-5/8"

**WEIGHT** 247LBS

### OPTIONS

40" Pizza Oven Cart

**MODEL: XOPIZZA4CART**



xoappliance.com | 800.966.8300

XO is exclusively distributed by  
 EASTERN MARKETING CORP.  
 24 Eisenhower Parkway  
 Roseland, NJ 07068