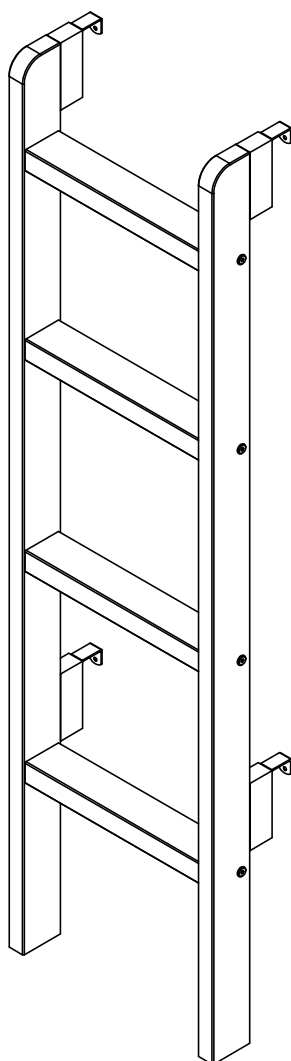
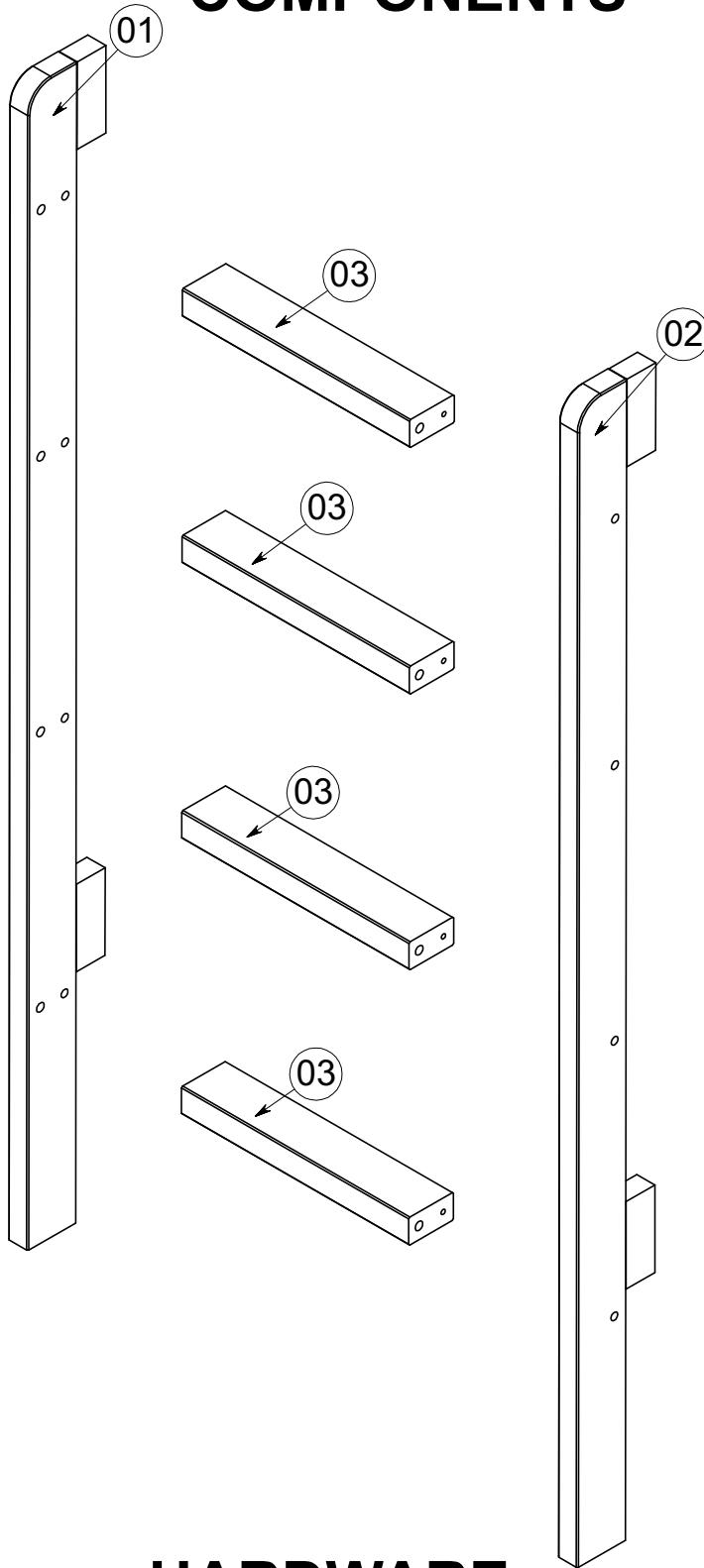


Thank you for purchasing. We hope you get years of enjoyment from your new bed. The unique brushing process highlights the woods natural grain. All our wood is plantation grown. No two pieces of wood are the same, enjoy the natural beauty of wood, every piece of wood has unique grain and color and knots, these differences in texture and color create the look only solid wood provides.

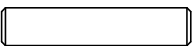


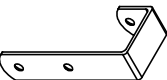
## **LADDER FOR BUNK BED**



# COMPONENTS

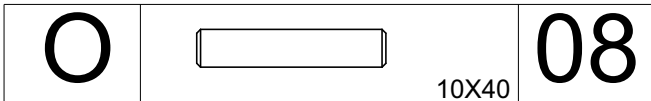
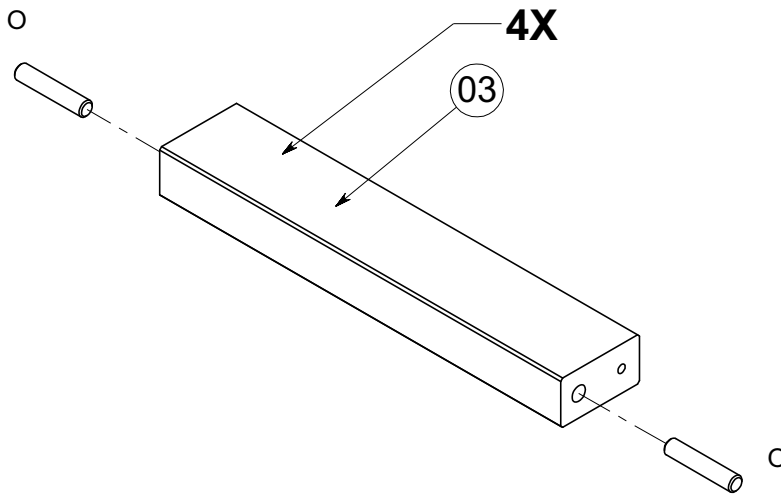


# HARDWARE

O	 10X50	08
Q	 (17) 7X60	08
R	 CC 3,5X25	12
S		04

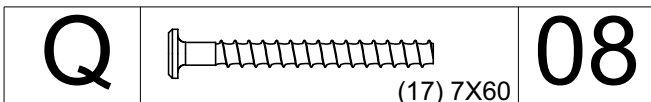
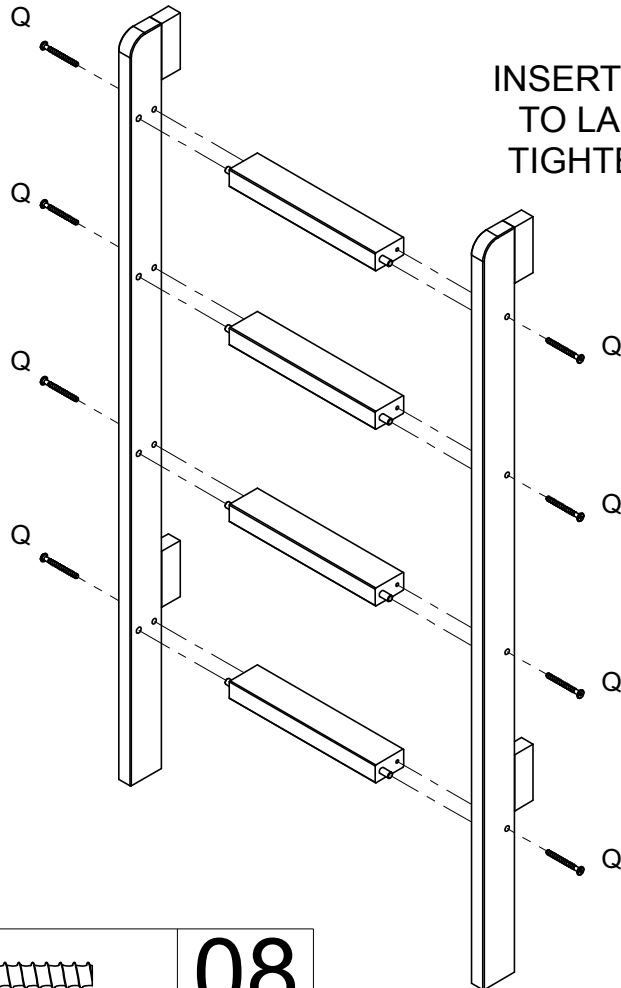
# STEP 1

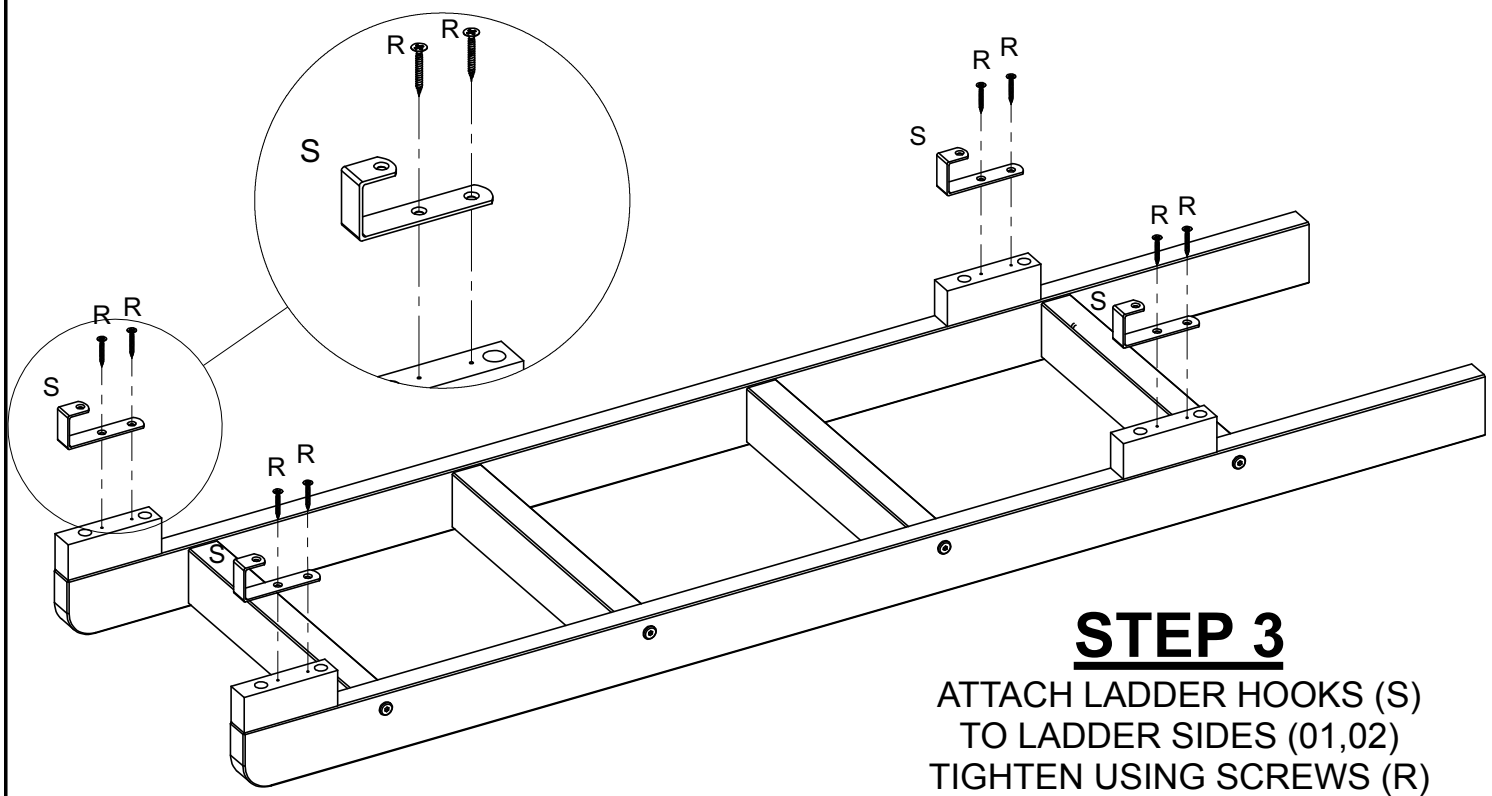
INSERT DOWELS (O)



# STEP 2


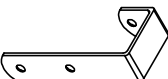
INSERT LADDER RUNGS (03)  
TO LADDER SIDES (01,02)  
TIGHTEN USING BOLTS (Q)

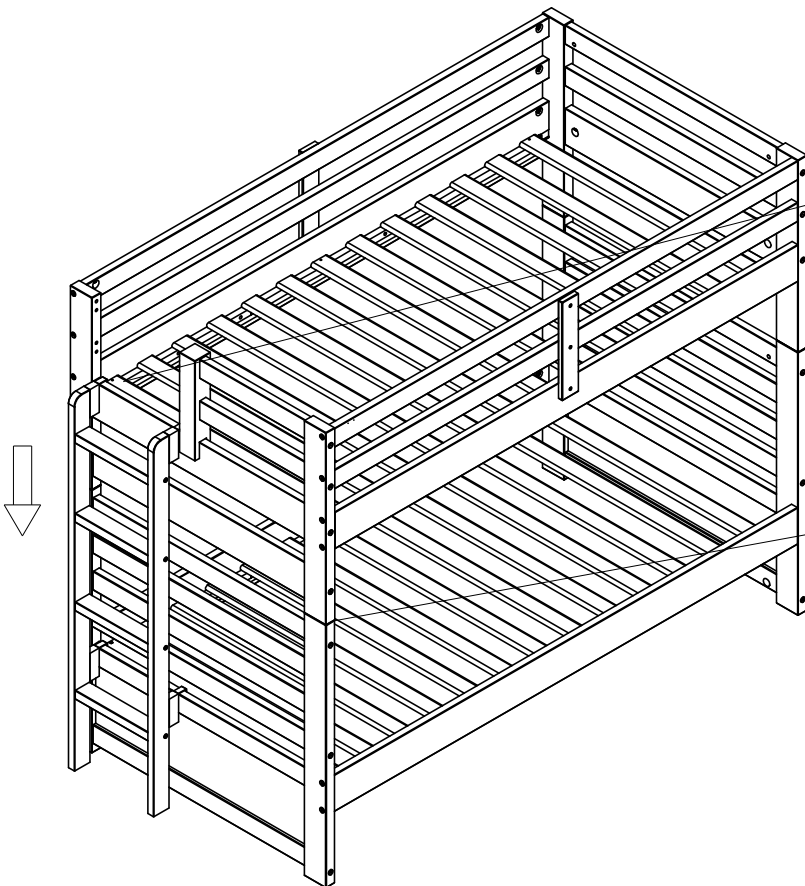




### **STEP 3**


ATTACH LADDER HOOKS (S)  
TO LADDER SIDES (01,02)  
TIGHTEN USING SCREWS (R)

<b>R</b>		CC 3,5X25	<b>08</b>
<b>S</b>			<b>04</b>



### **STEP 4**

ATTACH THE LADDER TO THE BUNK  
TIGHTEN USING SCREWS (R)

<b>R</b>		CC 3,5X25	<b>04</b>
----------	---	-----------	-----------