

ASSEMBLY INSTRUCTIONS

CABINET PARTS LIST

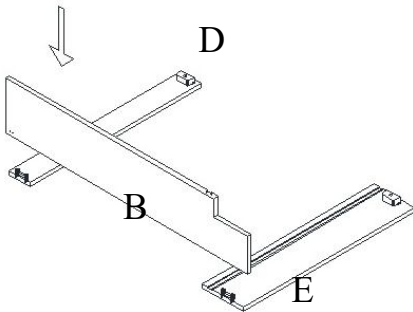
A-Door & Face frame & false drawer B-Side panels(2)

C-Back panel D-top rail E-Bottom rail F-Bottom G-Toe kick

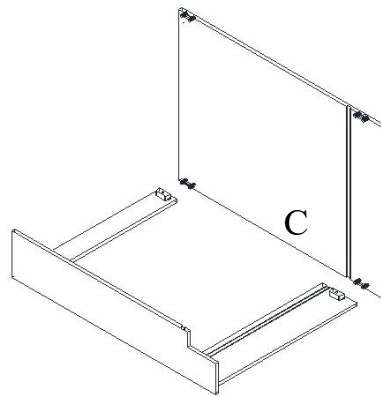
HARDWARE PARTS LIST

Corner Braces(3) Screws (ϕ 3.5*25-3) Screws (ϕ 3*12-18)
135 degree metal connector(6)

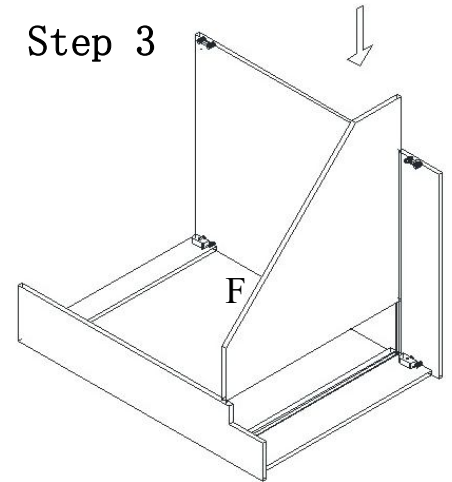
Step 1



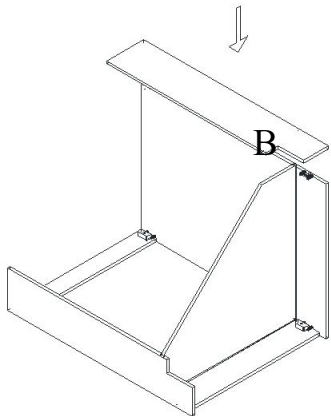
Step 2



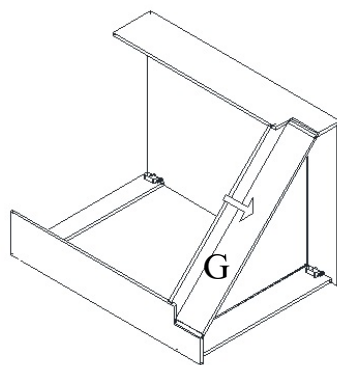
Step 3



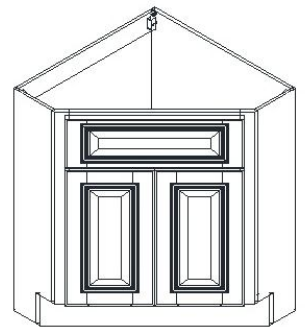
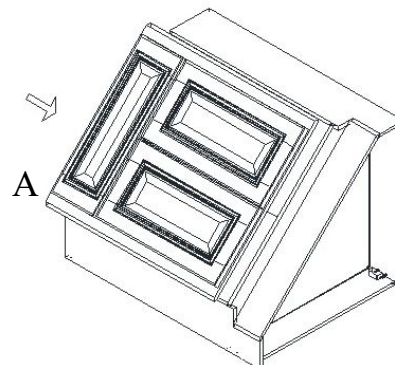
Step 4



Step 5



Step 6



Your cabinet is complete. For installation, consult a professional contractor or building supplier for the proper installation method or materials to be used for your existing wall condition(e.g., wood, concrete, tile , etc.).