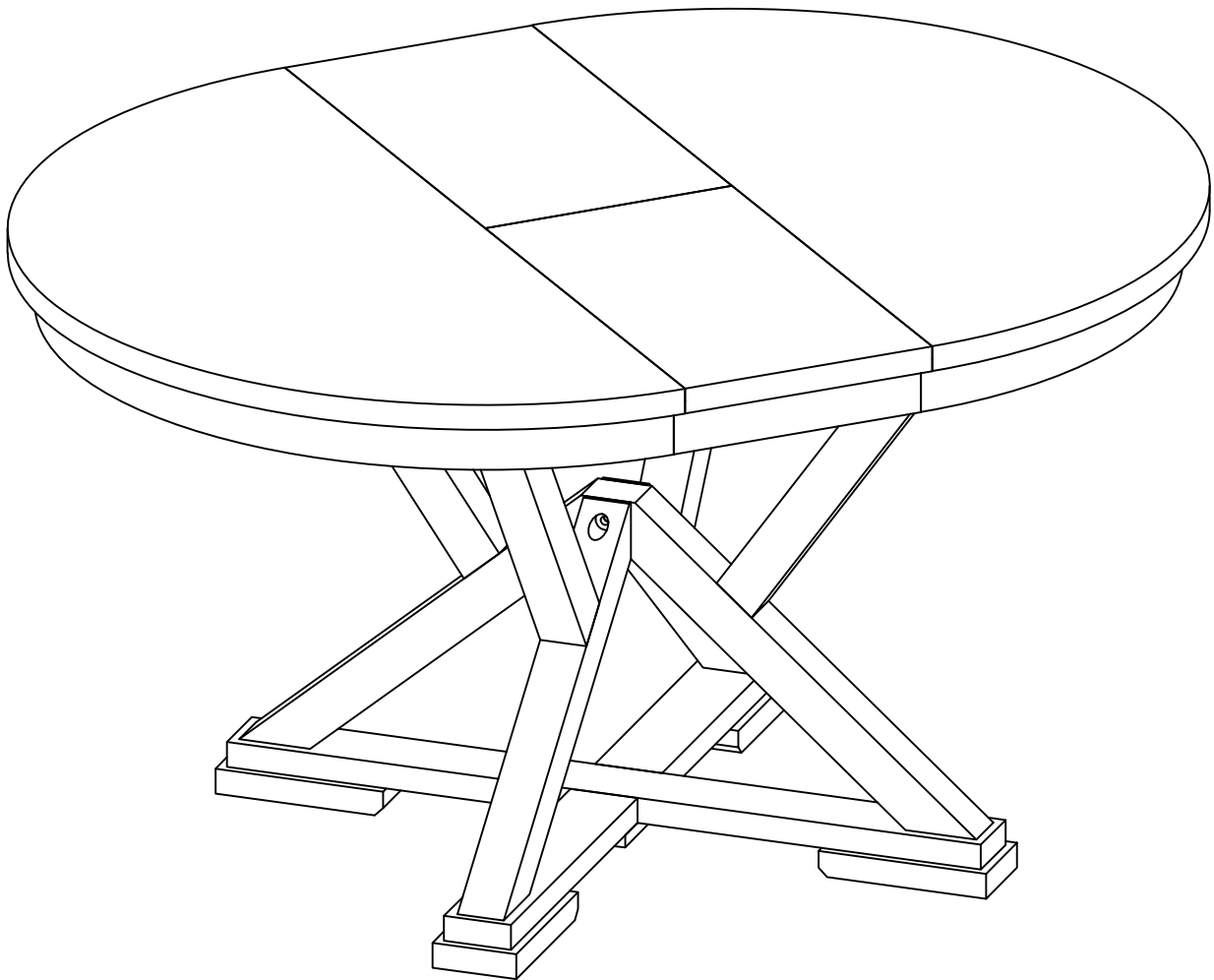


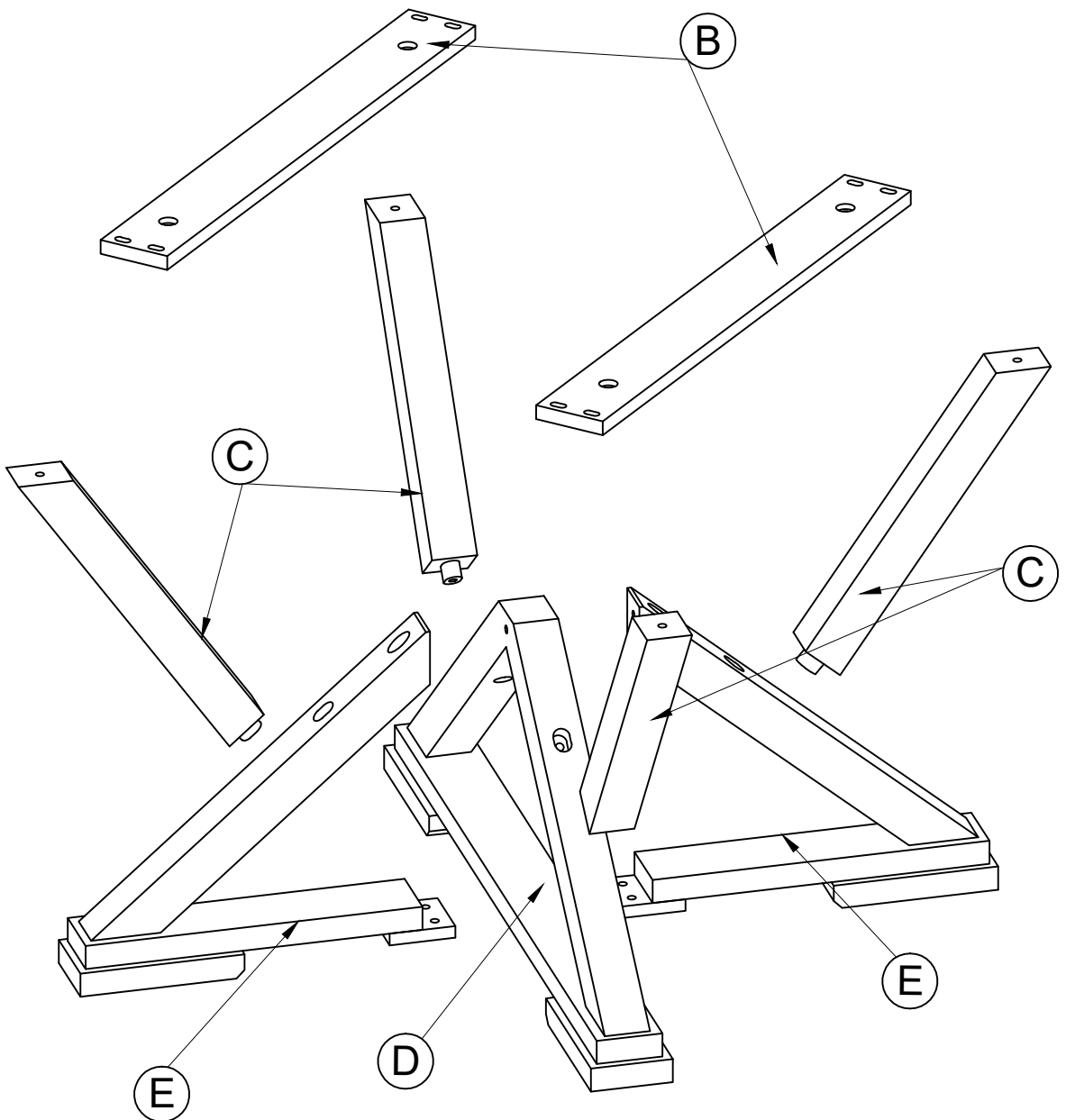
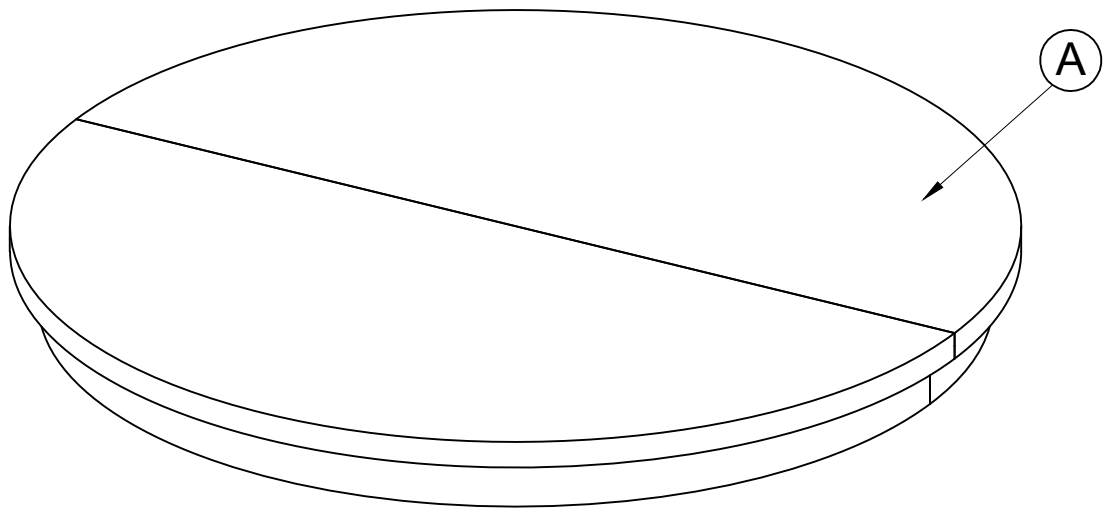
ASSEMBLY INSTRUCTIONS

DINING TABLE



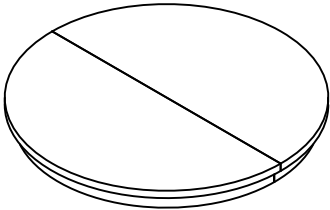
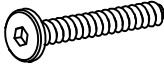
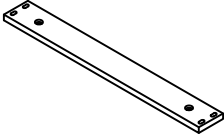
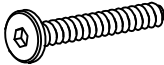
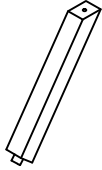

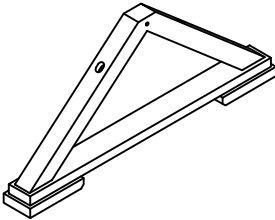

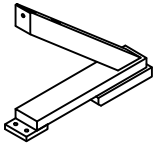
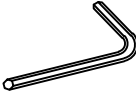
IMPORTANT NOTE:

- ① PLACE ALL PARTS ON A CLEAN AND SMOOTH SURFACE SUCH AS A RUG OR CARPET TO AVOID THE PARTS FROM BEING SCRATCHED.
- ② BEFORE YOU BEGIN, KINDLY FOLLOW THE ASSEMBLY INSTRUCTIONS STEP BY STEP.
- ③ DO NOT TIGHTEN ALL SCREWS AND BOLTS UNTIL THE TABLE IS FULLY SET-UP.

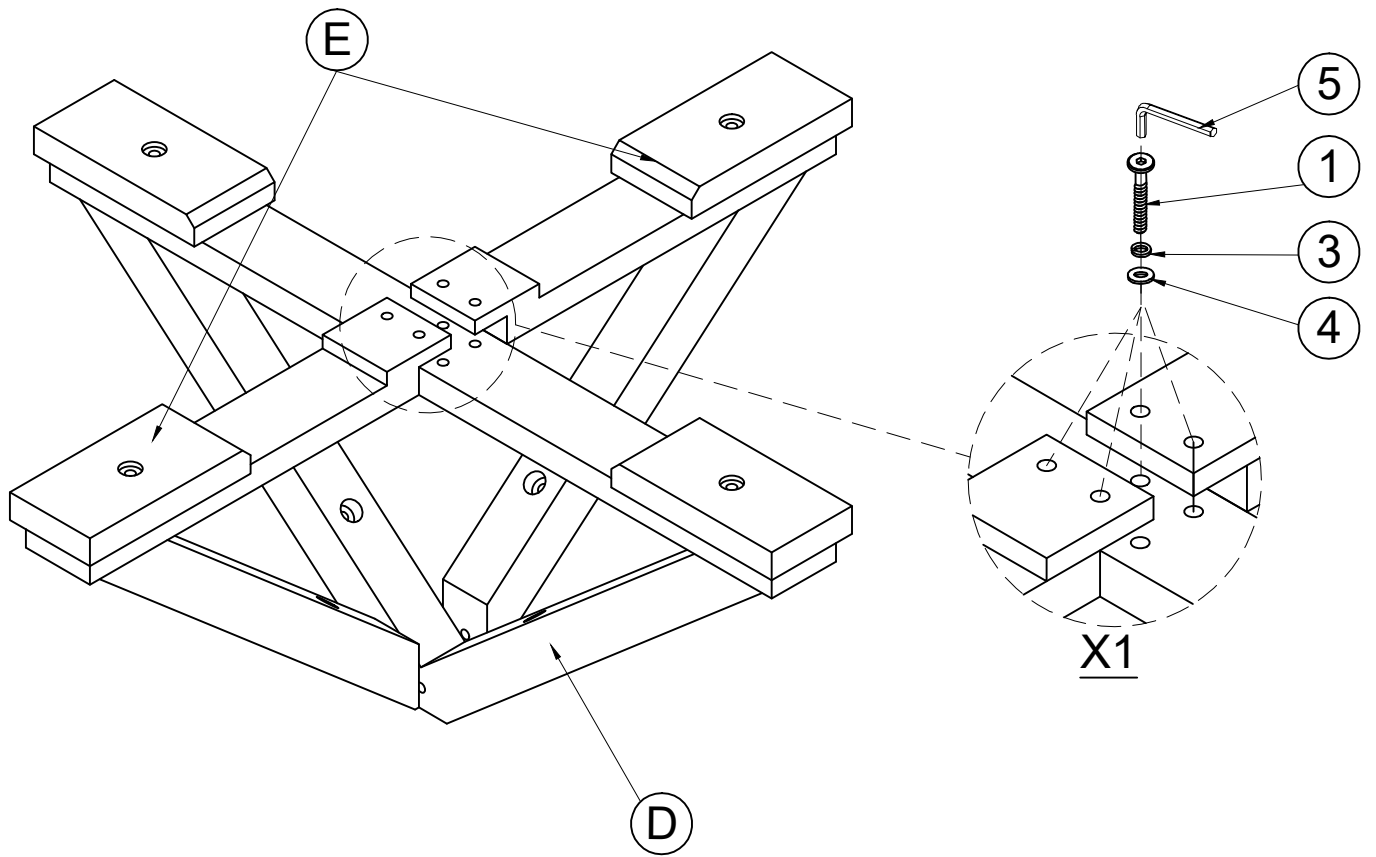


Part List For One

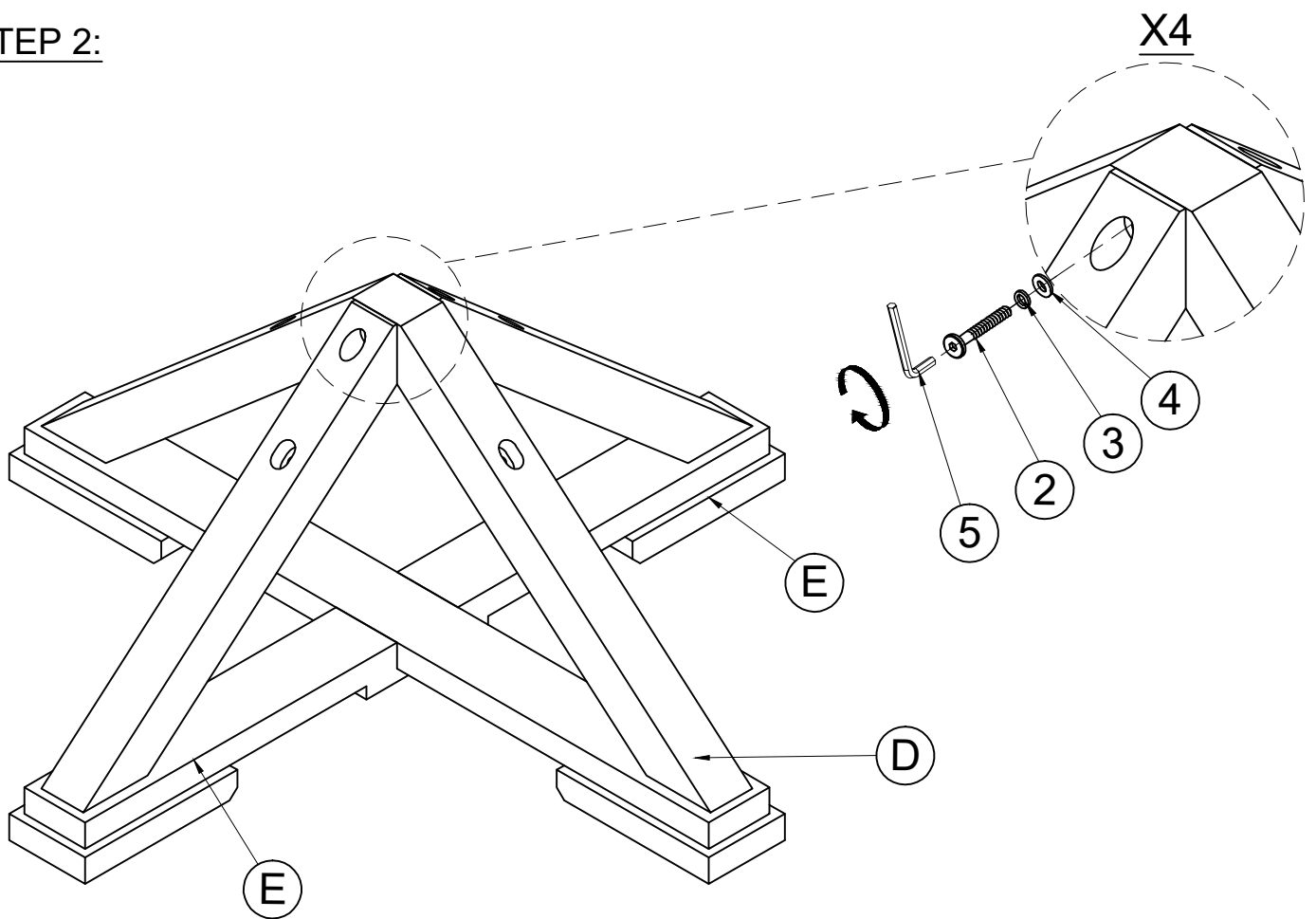
Hardware List For One

<p>(A)</p>  <p>TOP TABLE (1PC)</p>	<p>(1)</p>  <p>Ø 5/16" x 38mm</p> <p>BOLT (4 pcs)</p>
<p>(B)</p>  <p>SUPPORT BAR 1 (2PCS)</p>	<p>(2)</p>  <p>Ø 5/16" x 35mm</p> <p>BOLT (18 pcs)</p>
<p>(C)</p>  <p>SUPPORT BAR 2 (4PCS)</p>	<p>(3)</p>  <p>Ø 5/16" x 13mm</p> <p>FLAT WASHER (24 pcs)</p>
<p>(D)</p>  <p>LEG 1 (1PC)</p>	<p>(4)</p>  <p>Ø 5/16" x 19mm</p> <p>LOCK WASHER (24 pcs)</p>
<p>(E)</p>  <p>LEG 2 (2PCS)</p>	<p>(5)</p>  <p>4mm</p> <p>ALLEN KEY (1 pc)</p>

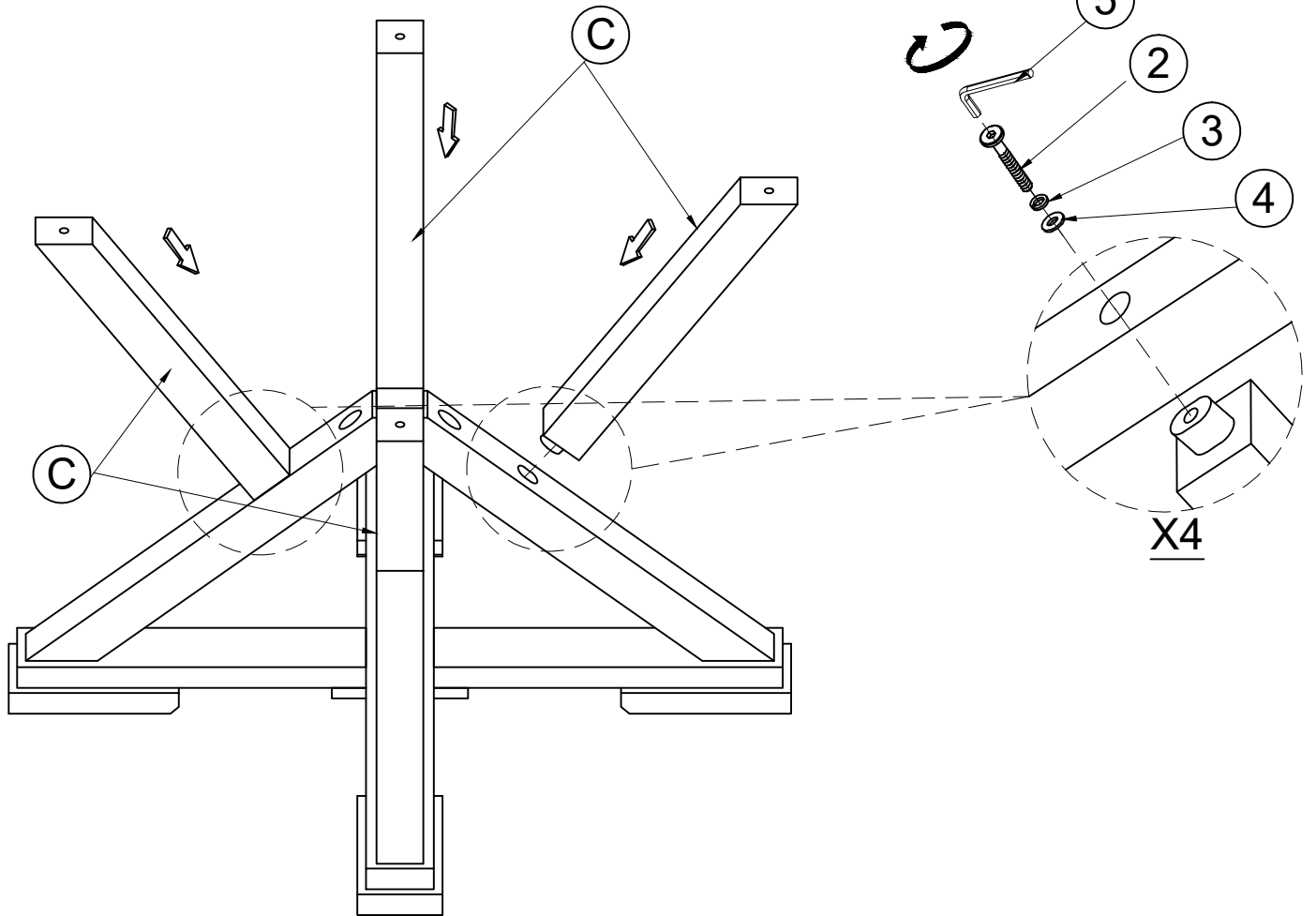
STEP 1:



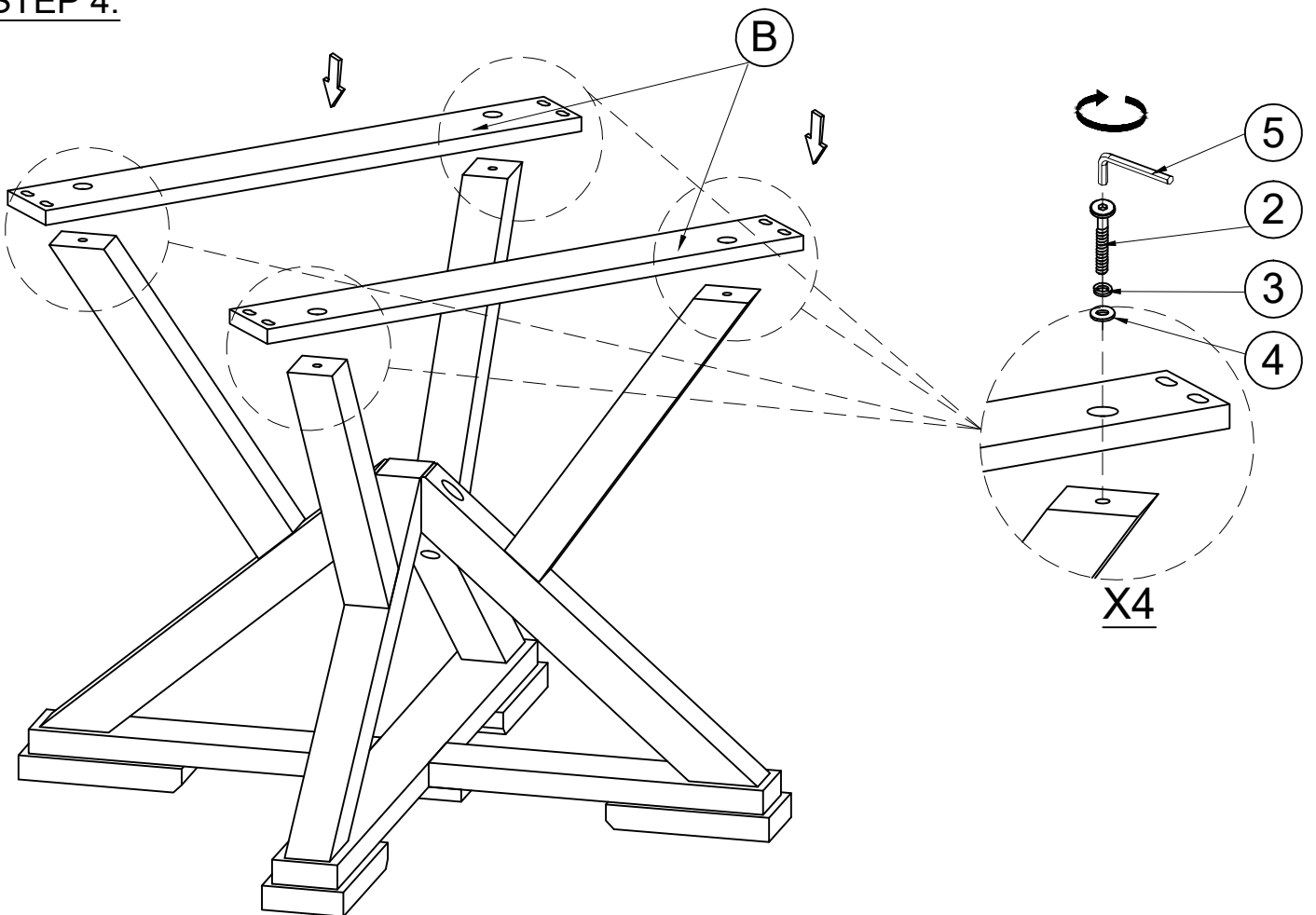
STEP 2:



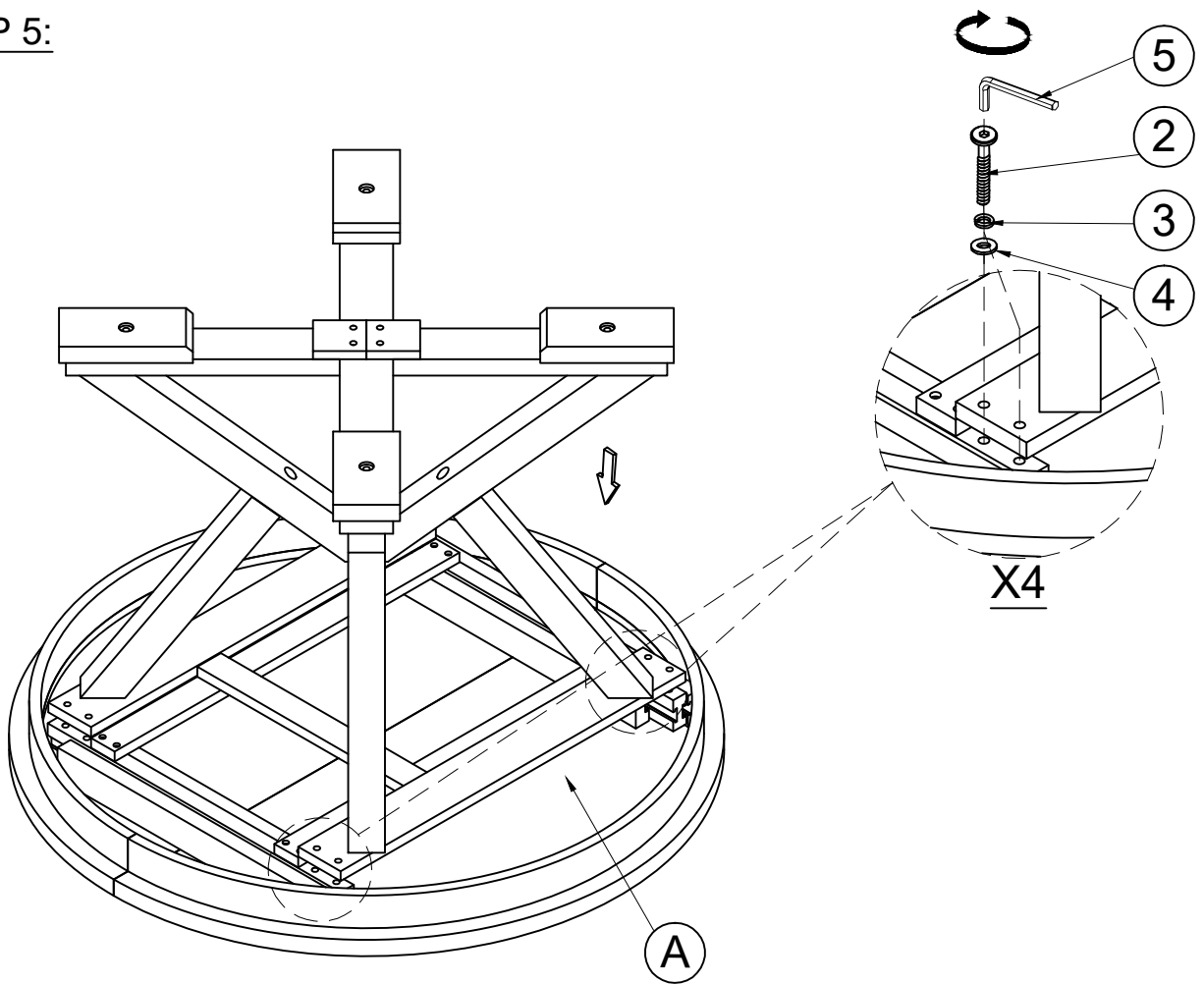
STEP 3:



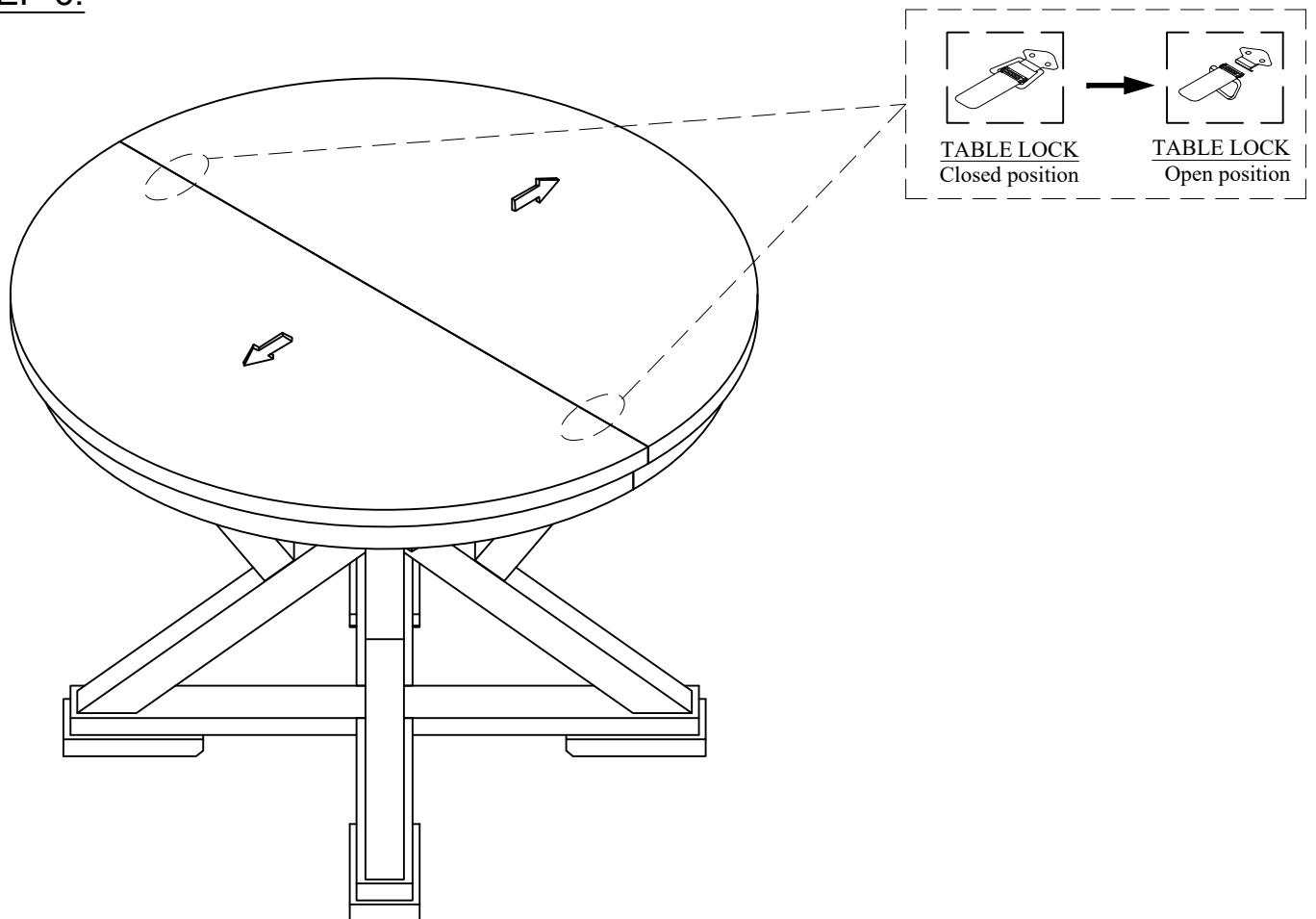
STEP 4:



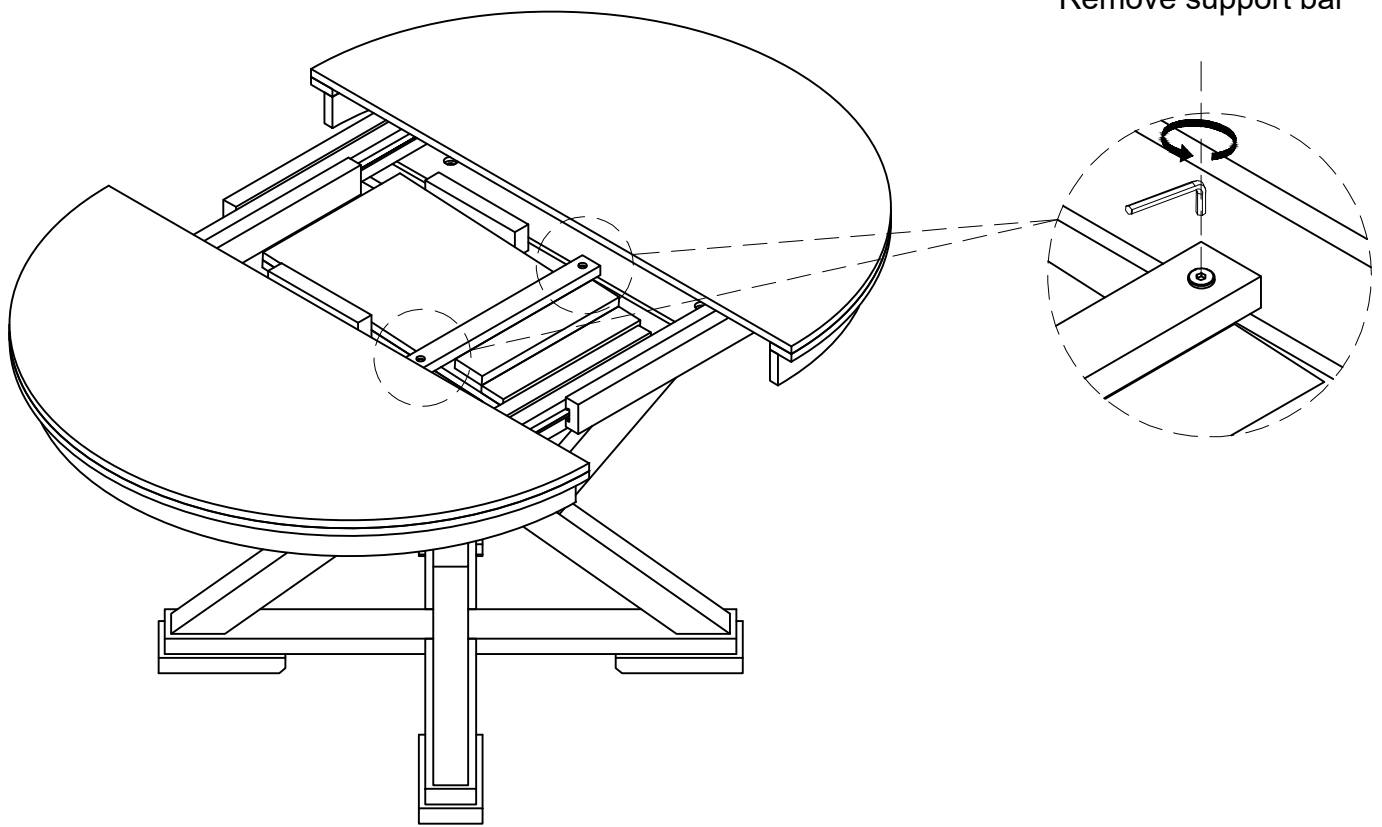
STEP 5:



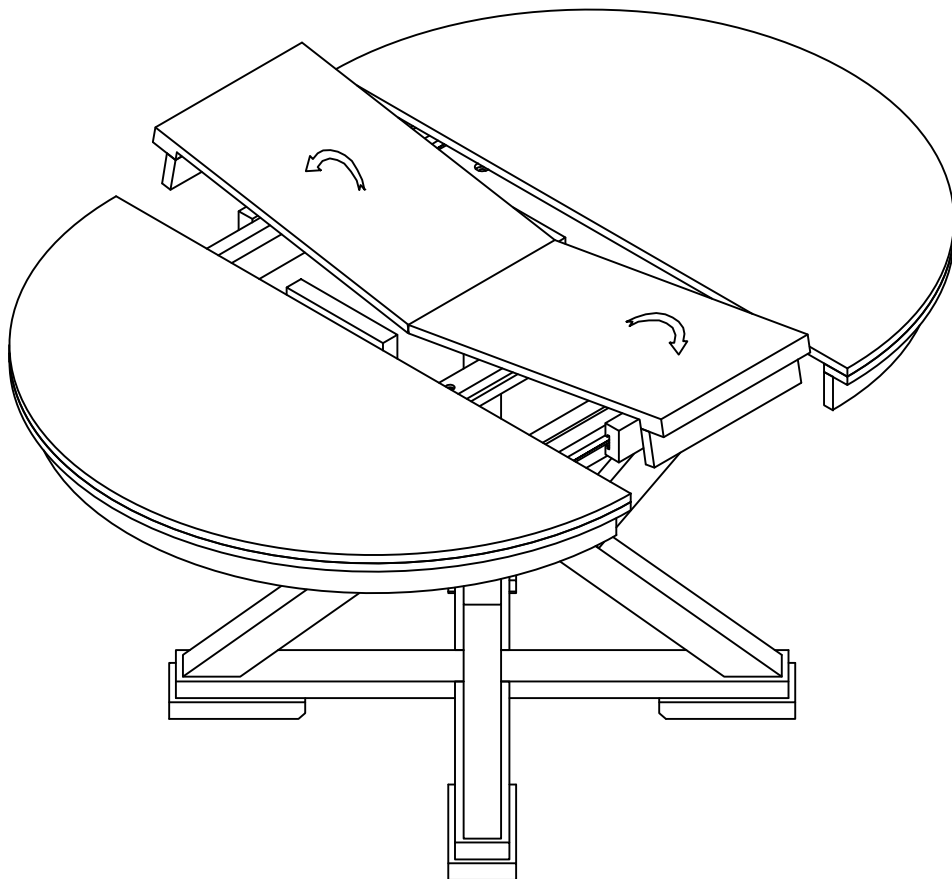
STEP 6:



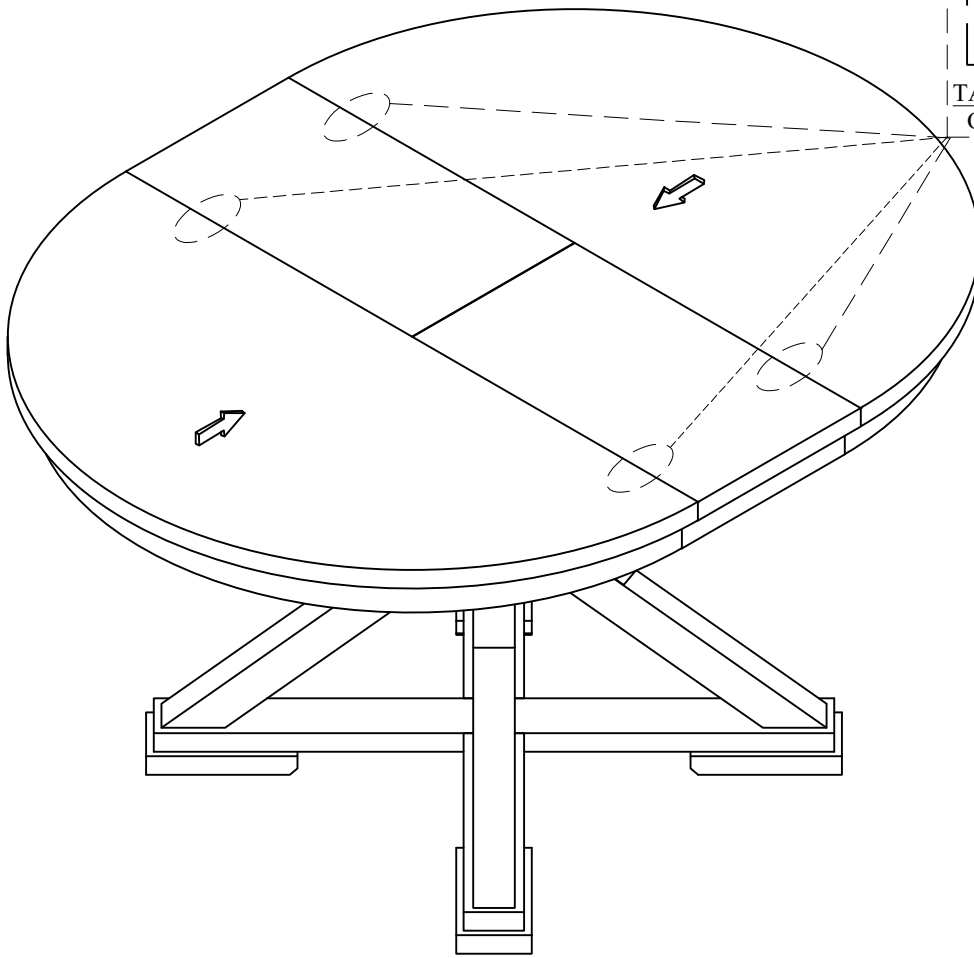
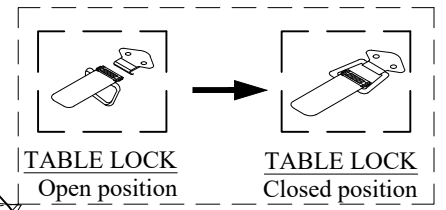
STEP 7:



STEP 8:



STEP 9:



COMPLETE:

