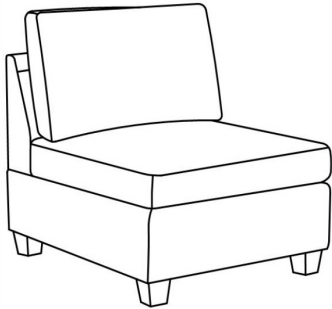
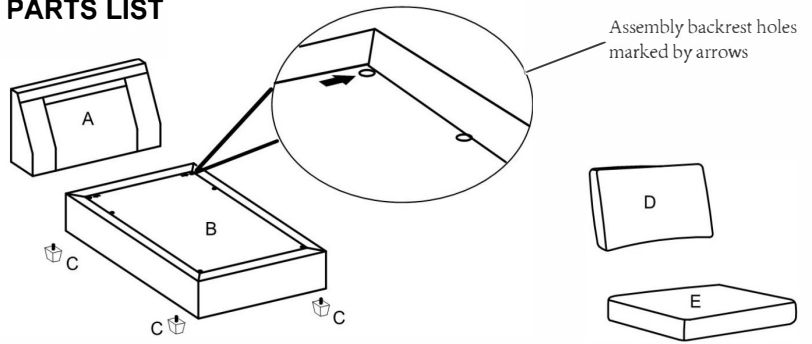


ASSEMBLY INSTRUCTIONS

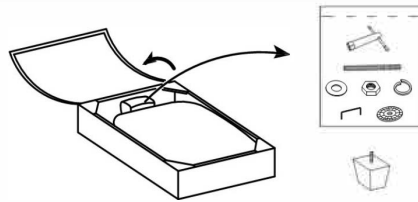
ARMLESS CHAIR



PARTS LIST

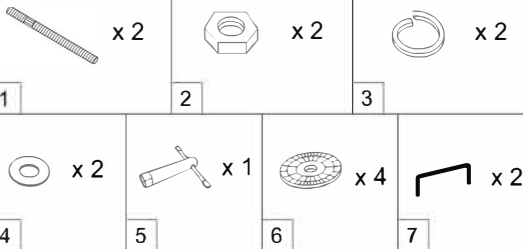


BEFORE ASSEMBLY



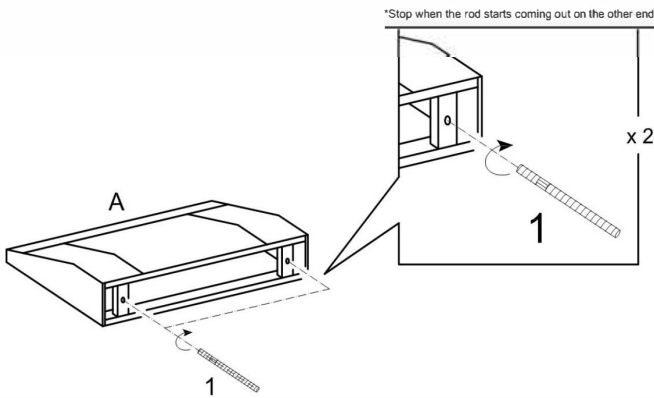
Open up the Velcro of Non-Woven Fabric cover on the bottom of the seat frame to remove backrest, back cushion.

PLEASE REMOVE ALL PARTS FROM SEAT FRAMES AND BACKS BEFORE ASSEMBLY

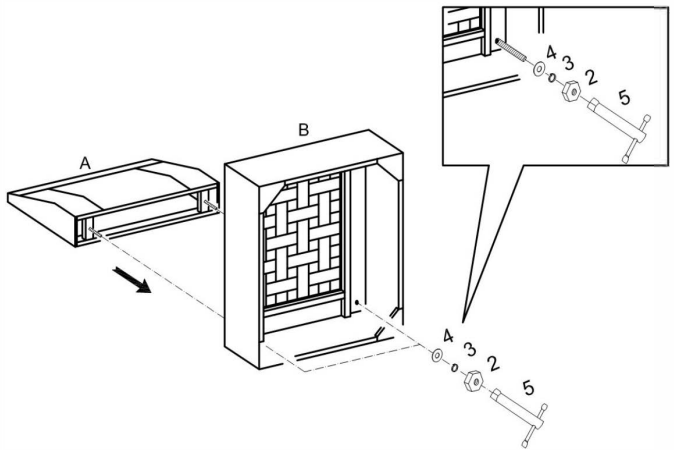


How to assemble:

STEP 1- INSERT THREADED RODS INTO BACK



STEP 2- MOUNT BACK INTO THE SEAT FRAME



STEP 3- PUT BACK THE FABRIC COVER AND INSERT LEGS

