

Limited Lifetime Warranty

FOR RESIDENTIAL INSTALLATIONS:

AA Faucet warrants this product to be free from defects in materials or workmanship for as long as the original consumer buyer owns this product. Proof of purchase (original sales receipt) from the original consumer buyer must be available to AA Faucet for all warranty claims. This warranty is non-transferable and does not apply in the event of product damage due to the use of other than AA Faucet replacement parts, installation error, abuse, misuse or improper care and maintenance (whether performed by a plumber, contractor, service provider or member of the buyer's household). The warranty excludes damage due to aggressive air or water conditions, or harsh or abrasive cleaners and/or materials.

FOR COMMERCIAL INSTALLATIONS:

For all industrial, commercial and business usage the warranty period is five years, from date of purchase and except for duration, all other aforementioned warranty terms apply. For both Residential and Commercial warranties, batteries are not included in the warranty.

FOR ELECTRONIC FAUCETS, VALVES AND CONTROLS: AA Faucet warrants its electronic faucets, valves and controls to be free from manufacturing defects in material and workmanship under normal use for five (5) years from the date of purchase by or for the original consumer owner.

AA Faucet will provide free of charge, at its sole discretion, replacement part(s) or product (or if no longer available, a comparable product) to replace those which have proven defective in materials or workmanship.

This warranty does not include labor charges incurred and/or damage sustained in installation, repair or replacement, nor incidental or consequential damages.

THIS WARRANTY IS EXCLUSIVELY IN LIEU OF ALL OTHER WARRANTIES, INCLUDING ANY IMPLIED WARRANTIES OF MERCHANTABILITY OR FITNESS FOR A PARTICULAR PURPOSE.

This warranty gives the original consumer owner of an AA Faucet faucet specific legal rights which may vary from state to state or from province to province. In some states or provinces the exclusion or limitation of incidental or consequential damages is not allowed, so those exclusions may not apply to you.

AA Faucet

4177 Rowland Ave. #A,
El Monte, CA 91731
Tel :1-626-246-3668

www.AAfaucet.com



AA[®]
FAUCET



Kitchen Pull-Down Faucet
Single Handle Faucet
Widespread Faucet

Installation Instruction

Notes Before Installation:

1. Please check and make sure all the components in the box is complete.
2. Before installation, ensure all water lines are clear of debris and on/off valve is present.
3. Ensure water pressure is between 20-125 PSI (includes combination of hot and cold water lines).
4. Pictures in this installation guide are for reference and may not represent the exact product you purchased. If you are having difficulties with installation, please contact a professional plumber.
5. If you will be away from home for an extended period, you should shut off the main water supply.

Daily Maintenance:

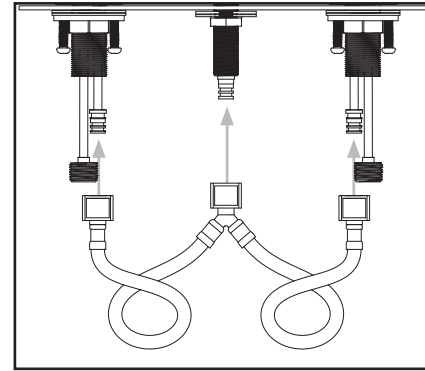
1. Use a soft cloth and vinegar to remove hard-water spots.
2. When water stream is not optimum, check aerator (if present) regularly for calcium build up.
3. DO NOT use harsh cleaning products as it will destroy the finish coating of the faucet and will void the warranty of the product.
4. Use vinegar or mild non-abrasive liquid detergents to clean the faucet.
5. If the water pressure appears to be less than optimum, remove, inspect, clean, or replace aerator.

Friendly Reminder: Pictures in installation guide are for reference and may not represent the exact product you purchased. If you are having difficulties with installation, please contact a professional plumber.

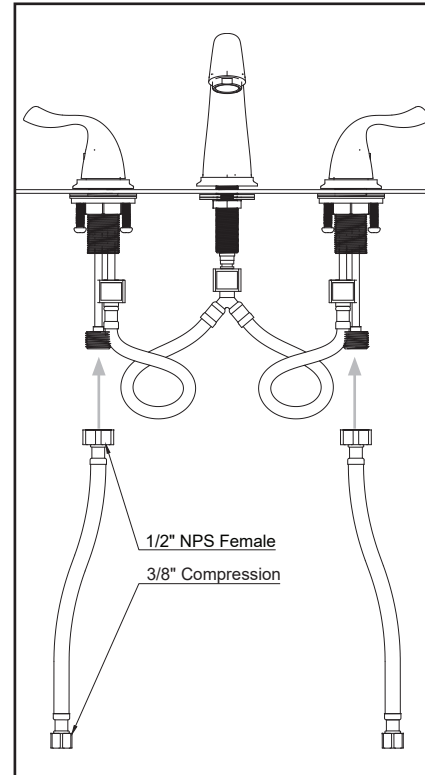
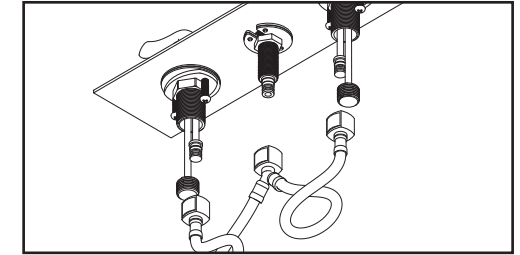


Tools Required:

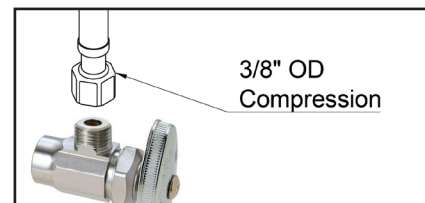
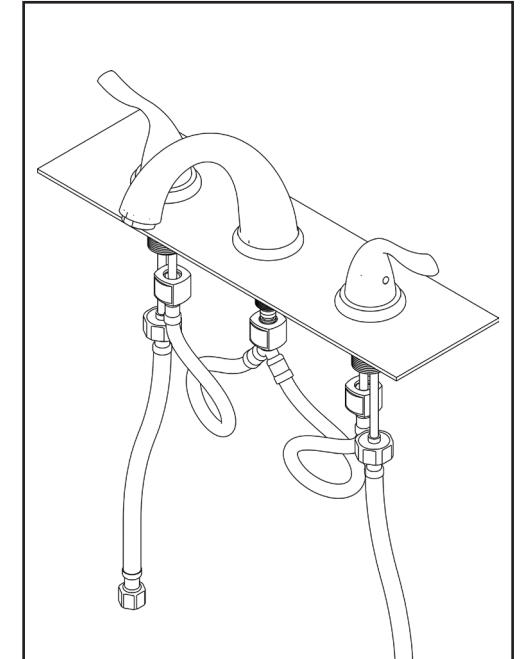
(Crescent wrench, screwdriver & thread sealant)



4. Plug the hot & cold water connect hose to faucet body as shown, then do the same on both handles.



5. Plug the hot & cold water connect hose to faucet body as shown, then do the same on both handles.



6. Attach flexible hose to water supply, make sure hot & cold water hose connect to the correct shut-off valve water supply. Check if 3/8" OD compression washer is missing inside before installation to prevent leaking problem.

Kitchen Pull-Down Faucet

Apply This Installation To:
 AR-D3411-B1, AR-D3411-M2
 & AR-D3411-B3
 AR-D0674-B & AR-D0674-M
 AR-D3094-B2

**Sink Surface/
 Table Top**

Faucet Body

--- Hot Water Connector (Left)

--- Cold Water Connector (Right)

--- Pre-rinse Connector (Middle)

Rubber Washer

Metal Washer

Locking Nut

Bolts x2

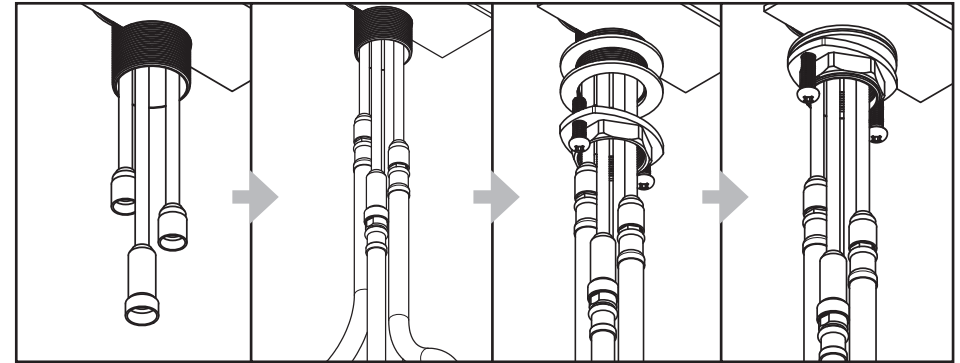
Cold Water Hose (Blue)

Pull-Down Hose (Black)

Hot Water Hose (Red)



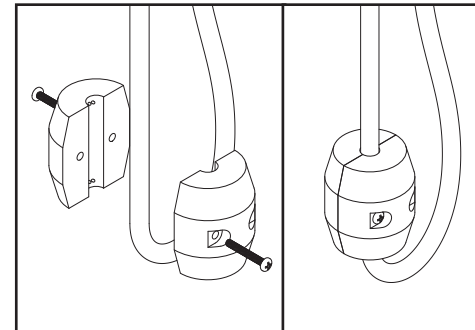
Installation Instruction:



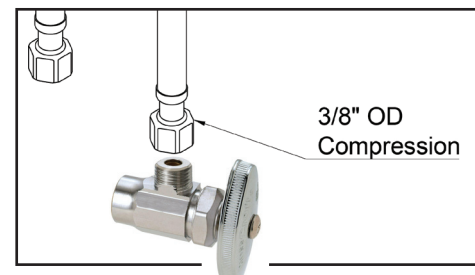
1. Remove the rubber washer, metal washer and locking nut from the faucet. Then install faucet through center hole. If hoses already installed onto faucet, place hoses directly through center hole. Adjust direction of faucet body so that handle is on right side of faucet.

2. Use hand to screw and tighten the hot and cold flexible hoses to the faucet (skip this step if hoses already installed onto faucet). **DO NOT** use a wrench to tighten hoses as this may damage the hose and/or the hose threads.

3. Re-install the rubber washer followed by the metal washer and locknut. Hand tighten then use a screwdriver to tighten locking nut screws.



4. Attach weight on pull-down hose on lowest vertical point then test pulling the spray head to check for adjustment. Make sure nothing is blocking the way when weight pull spray hose back to place.

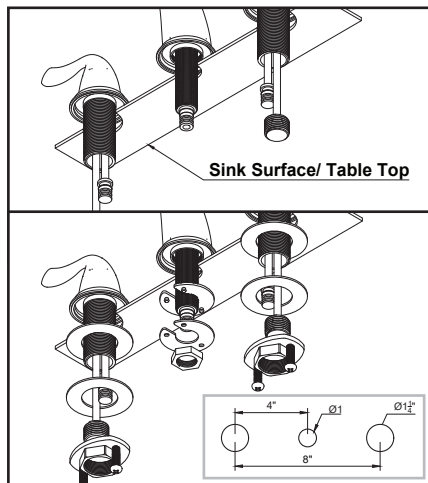
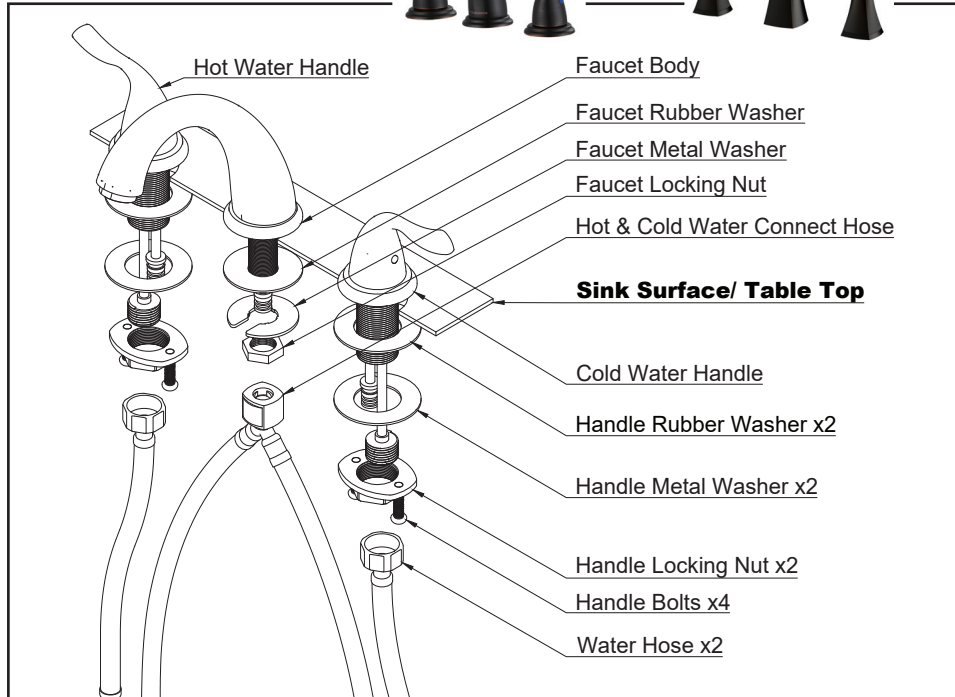


5. Attach flexible hose to water supply, make sure hot & cold water hose connect to the correct shut-off valve water supply. Check if 3/8" OD compression washer is missing inside before installation to prevent leaking problem.

Widespread Bathroom Faucet

Apply This Installation To:

AR-B0377
AR-B3583



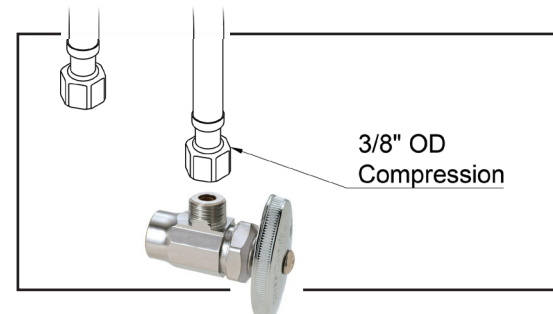
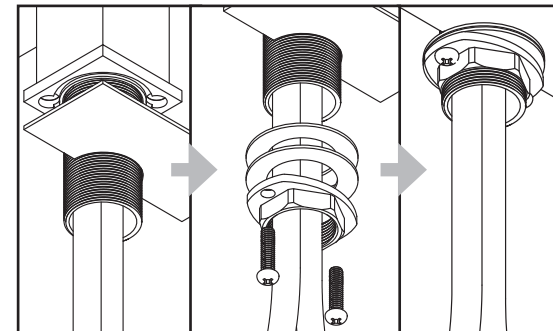
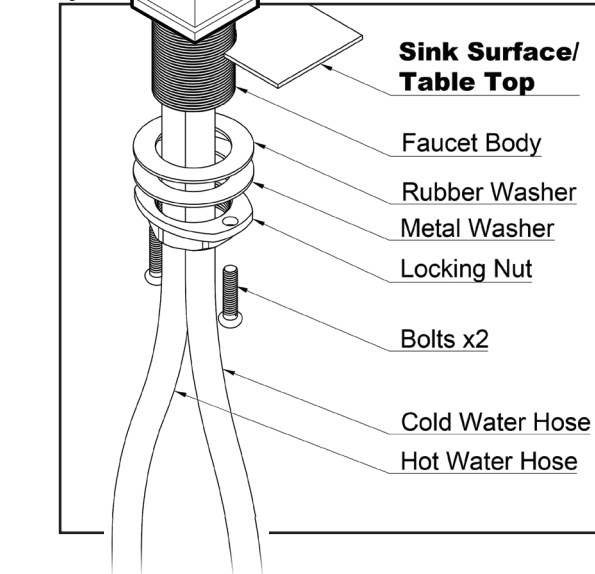
Installation Instruction:

1. Remove the rubber washer, metal washer and locking nut from the faucet body and handles. Place the components directly through the holes with water handle on left faucet in center and cold water handle to the right hole.
2. Re-install the rubber washer followed by the metal washer and locking nut as shown on image. Secure locking nuts all the way in and tighten the handles with screws.
3. Ensure the handles are in the OFF position. Align the handles as shown.

Single Handle Bathroom Faucet

Apply This Installation To:

AR-B0033-B & AR-B0033-M
AR-B3086-B & AR-B3086-M



Installation Instruction:

1. Remove the rubber washer, metal washer and locking nut from the faucet. Place hoses directly through center hole.
2. Re-install the rubber washer followed by the metal washer and locking nut as shown depicted in middle image.
3. Hand tighten then use a screwdriver to tighten locking nut screws.
4. Attach flexible hose to water supply, make sure hot & cold water hose connect to the correct shut-off valve water supply. Check if 3/8" OD compression washer is missing inside before installation to prevent leaking problem.