





USER'S MANUAL

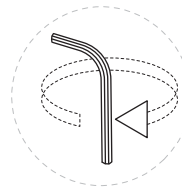
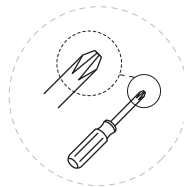
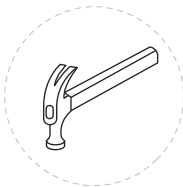
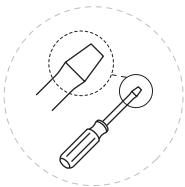
4PCS CONVERSATION SET WITHOUT CUSHION

HW69384 -12 -22



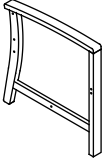
Before You Start

-  Read each step carefully before starting. It is very important to ensure each step followed in correct order, otherwise assembly difficulties may occur.
-  Most of board parts are labeled or stamped on the raw edges. Have a check to make sure all parts are included.
-  Work in a spacious area, preferably on a carpet close to where the unit will be used.
-  Keep the handtools close at hand. Do not use power tools to assemble your furniture. They may scratch or damage the parts.

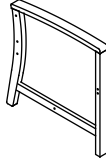


Part List

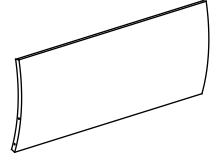
EN



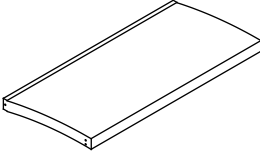
1 x3pcs
Right chair leg



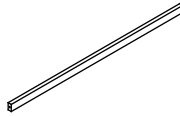
2 x3pcs
Left chair leg



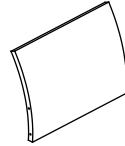
3 x1pc
Double sofa Backrest



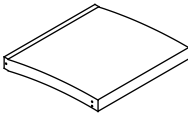
4 x1pc
Double Sofa Seat



5 x1pc
Long stretcher (longest)



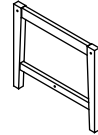
6 x2pcs
Single Chair Back



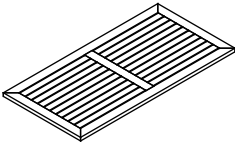
7 x2pcs
Single chair seat



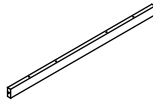
8 x2pcs
Short stretcher



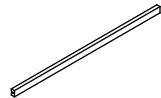
9 x2pcs
Table leg



10 x1pc
Table top



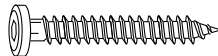
11 x2pcs
Table supporter



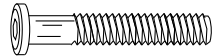
12 x1pc
Table stretcher



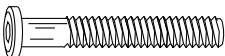
M4x50mm Screw
A x10pcs



M6x70mm Screw
B x24pcs



M6x65mm Bolt
C x6pcs

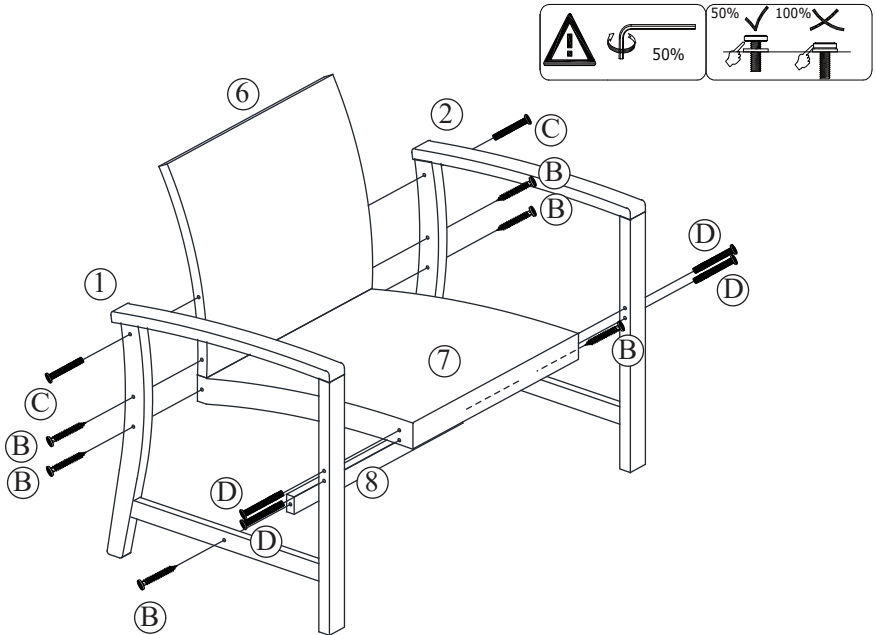


M6x75mm Bolt
D x12pcs

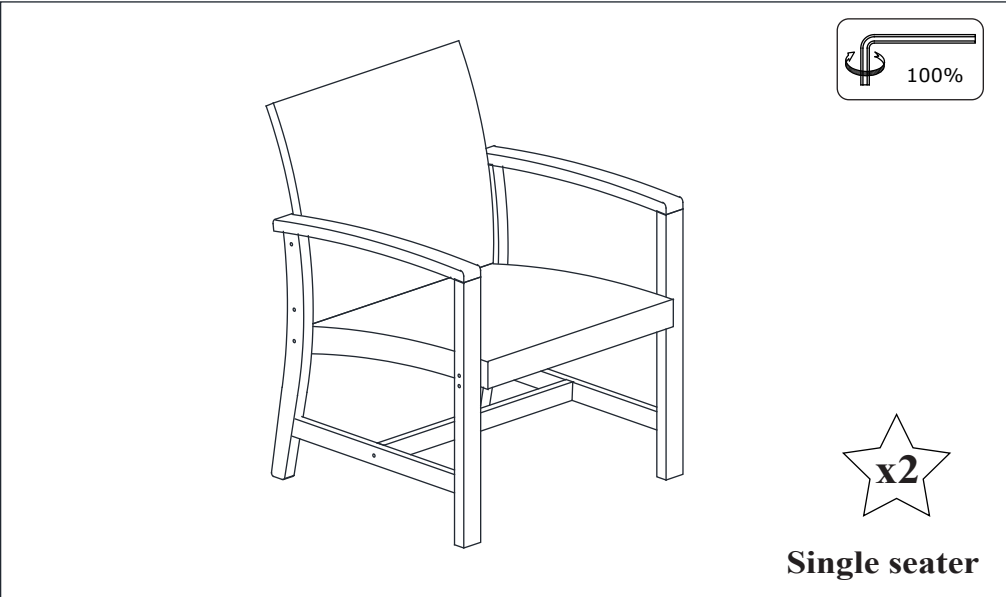


Allen key
E x2pcs

STEP 1: X2

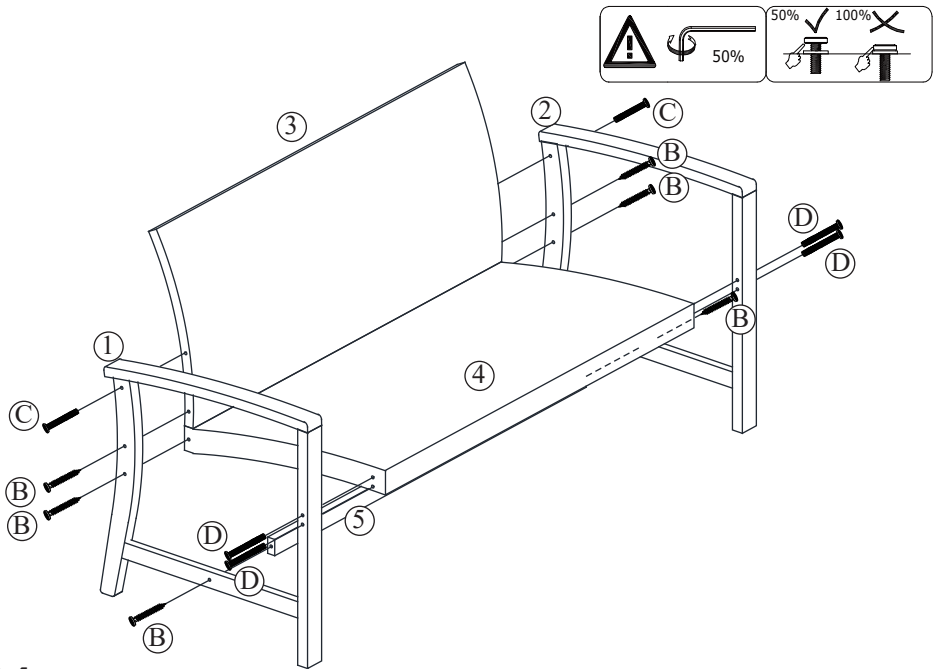


STEP 2:

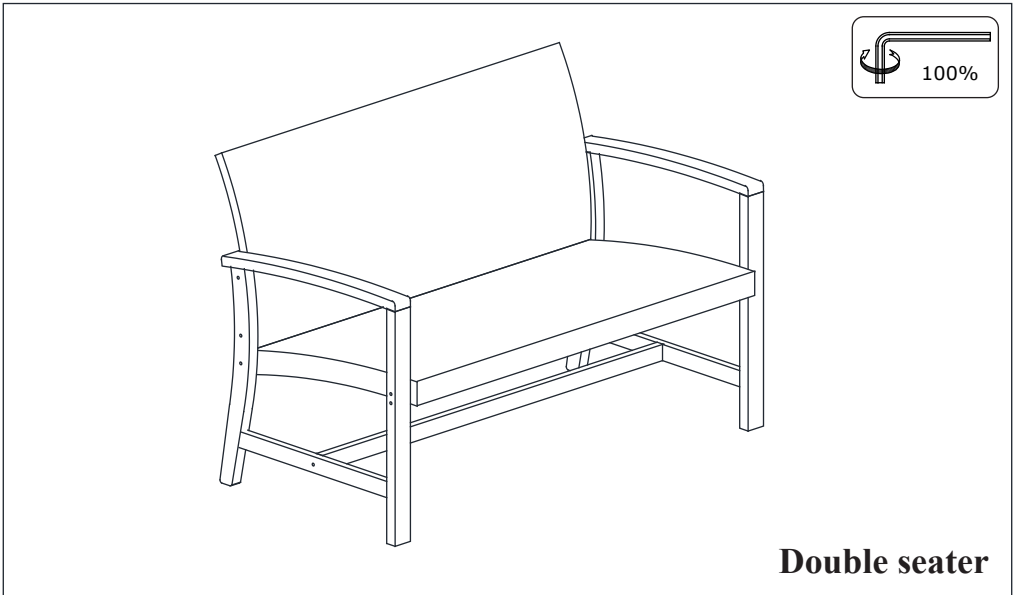


Single seater

STEP 3 :

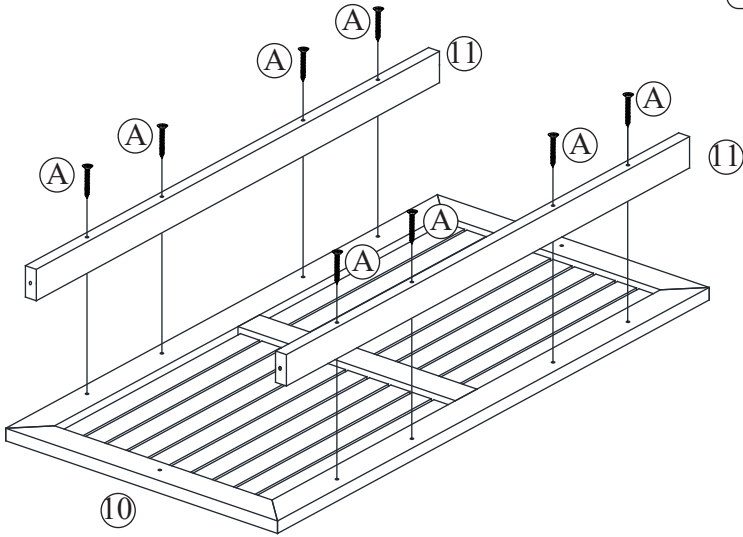
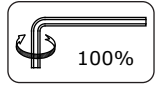


STEP 4:

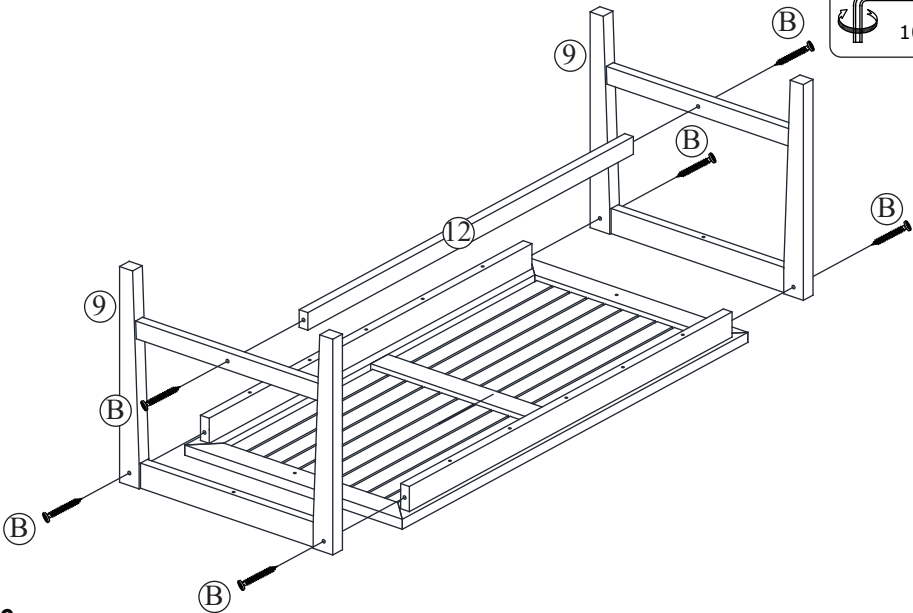
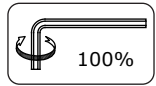


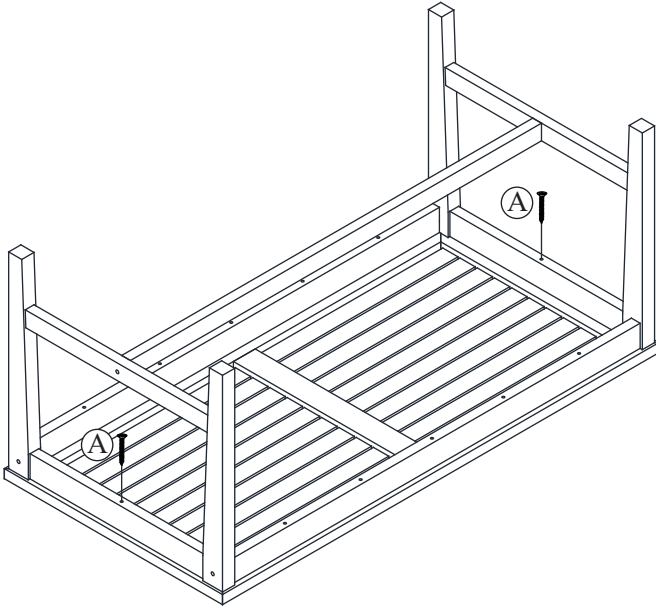
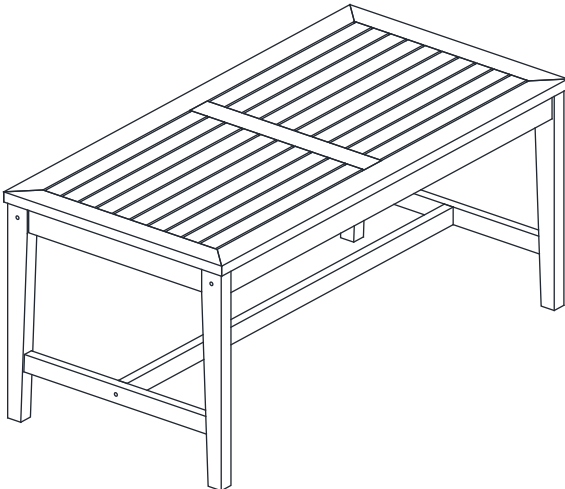
Double seater

STEP 5:

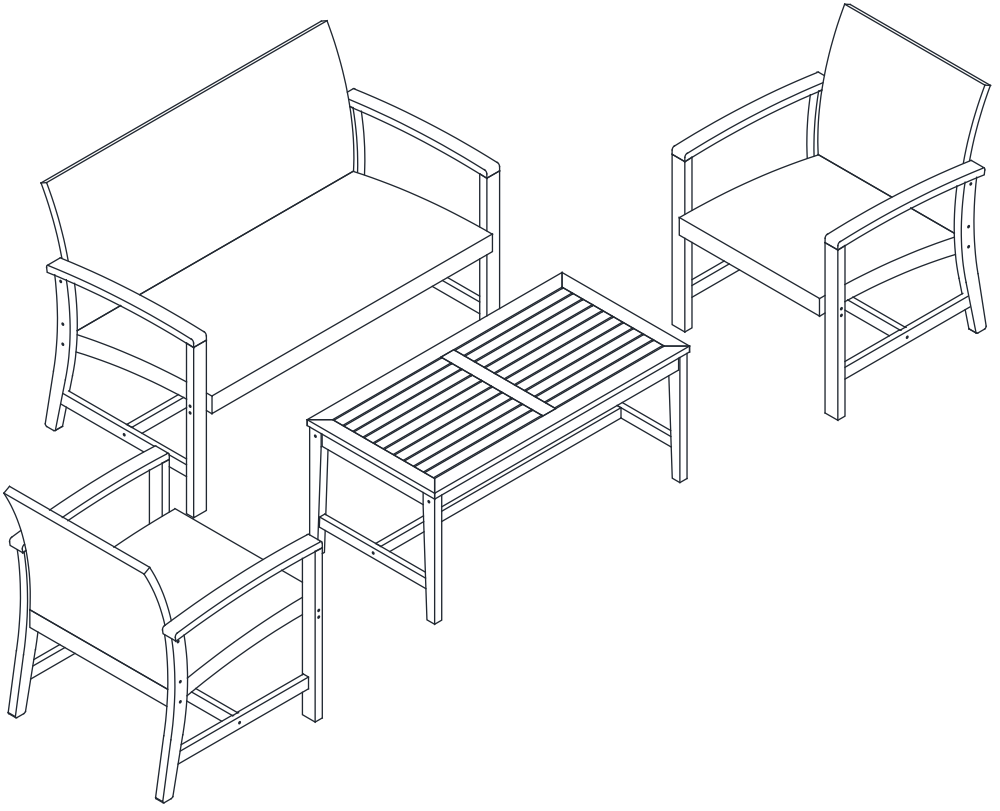


STEP 6:



STEP 7 :**STEP 8:****Table**

STEP 9: FINISHED



Care and Maintenance

Use a soft, clean cloth that will not scratch the surface when dusting.

Use of furniture polish is not necessary.

Should you choose to use polish, test first in an inconspicuous area.

Using solvents of any kind on your furniture may damage the finish.

Never use water to clean your furniture as it may cause damage to the finish.

Liquid spills should be removed immediately. Using a soft clean cloth, blot the spill gently. Avoid rubbing.

Check bolts/screws periodically and tighten them if necessary.

Further advice about wood furniture care

Please protect your outdoor furniture with a cover when not in use since long-term sunlight exposure will result in the damage on the surface.

In addition to sunlight damage, wood and metal frame suffers when exposed to extremes in temperature and humidity.

Proper care and cleaning at home will extend the life of your purchase.

Following these important and helpful tips will enhance your furniture as it ages.



Please give us a chance to make it right and do better !

Contact our friendly customer service department for help first.
Replacements for missing or damaged parts will be shipped ASAP !

US office: Fontana UK office: Ipswich AU office: Truganina



Contact Us !

Do NOT return this item.

Contact our friendly customer service department for help first.



US: cs.us@costway.com
UK: cs.uk@costway.com
AU: cs.au@costway.com