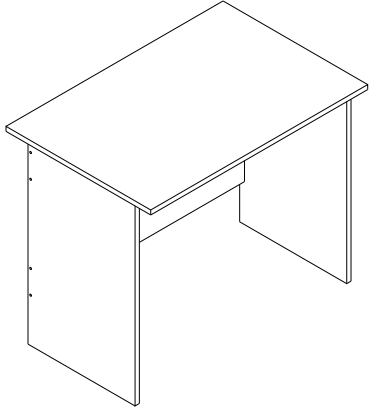


INSTALLATION AND USE MANUAL

YOU CAN SUPPORT WITH THE FOLLOWING COMMUNICATION INFORMATION ON PROBLEMS WITH THE PRODUCT SET UP.



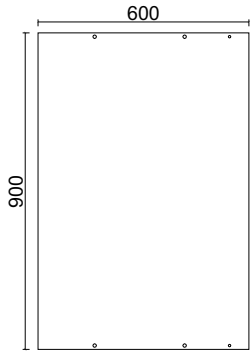
STUDY DESK 35inch



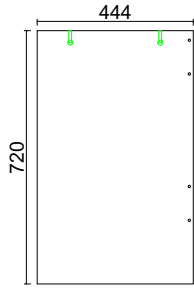
ACCESSORIES LIST

Minifix Body (TITUS) 4x	Minifix Mil (TITUS) 4x	Minifix Stopper (WHITE) 4x
Cabin Screw Alyan Head 50 lik 8x	Kabin screw Stopper (WHITE) 8x	SPIKED PAPUCA (WHITE) 4x
	Alyan KEY 4lük 1x	

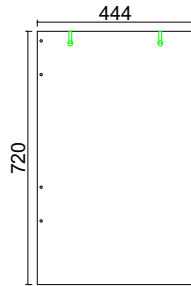
PIECE PICTURES



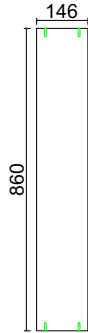
TOP PANEL 90



LEFT SIDE 90



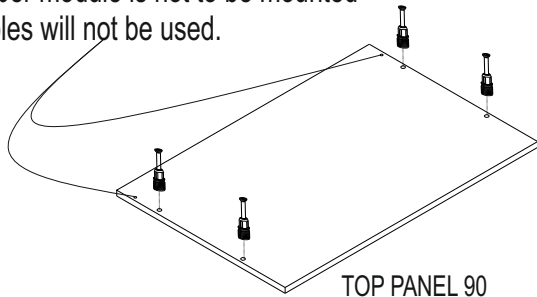
RIGHT SIDE 90



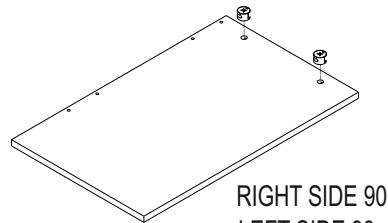
LAPEL 90
2 ADET

ACCESSORIES INSTALLATION & PREPARATION

If the upper module is not to be mounted these holes will not be used.

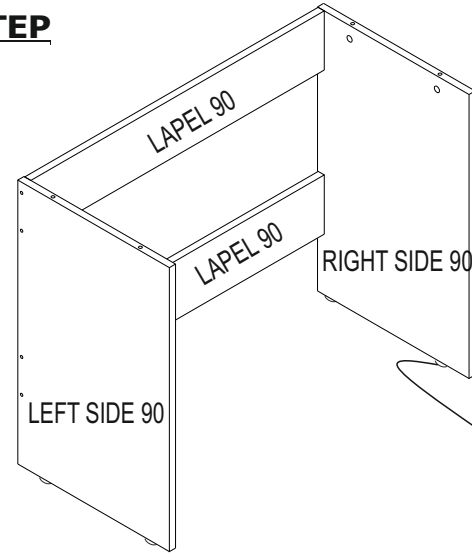


TOP PANEL 90



RIGHT SIDE 90
LEFT SIDE 90

1.STEP



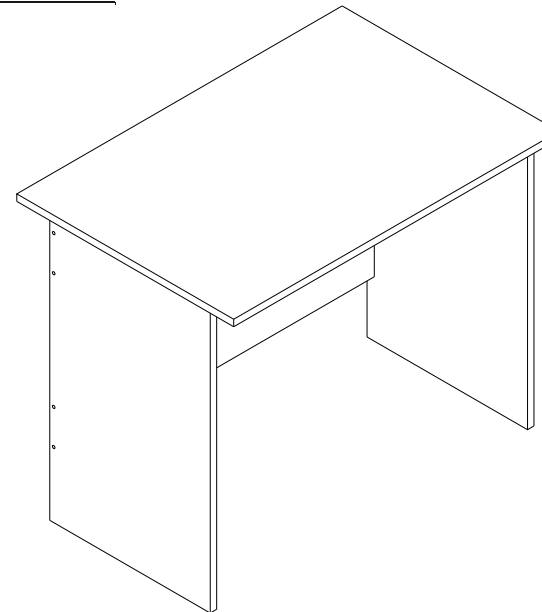
SPIKED PAPUCA (WHITE)



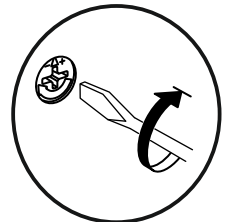
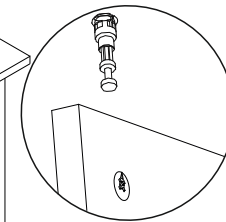
Alyan Anahtar 4lük

Kabin Vidası
Alyan Başlı 50 lik

2.STEP



TOP PANEL 72



Kabin screw Stopper & Minifix stopper

