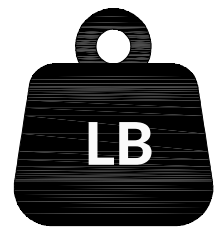
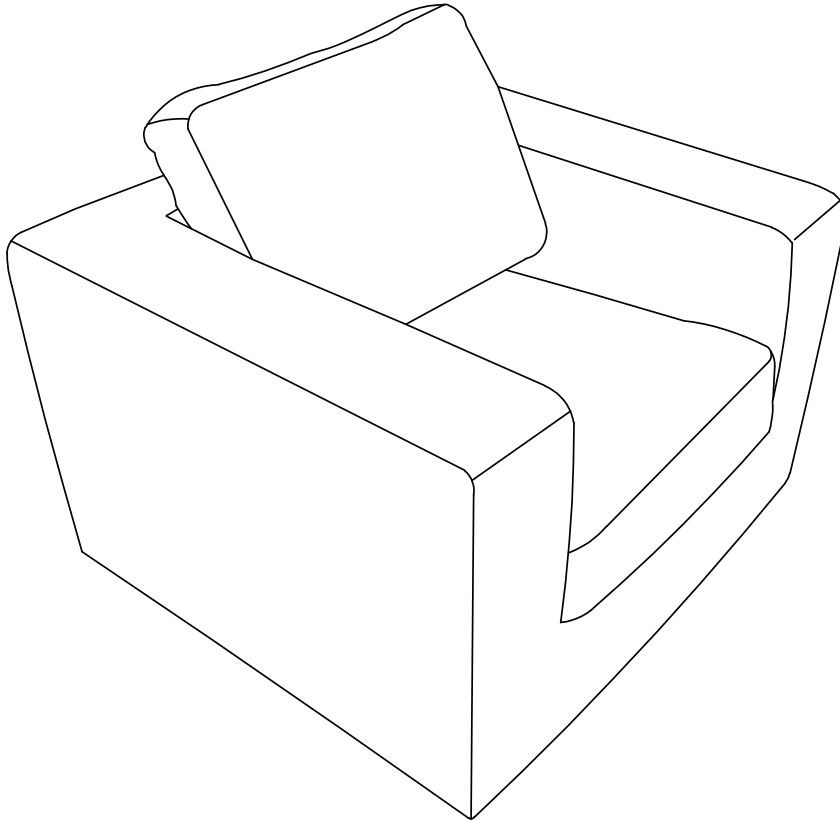


Owner Manual



Per Seat Weight Limitation

350 LBS

Thank You For Choosing Our Furniture

- ▀ If you have any questions or concerns, don't hesitate to reach out to us. ▀

NOTE :






This brochure contains **IMPORTANT** safety info. Please read and keep it for future reference.

MAINTENANCE AND WARNINGS



Before You Start

Please follow the steps below:

-  Check the packaging for any damage, deformation, or water stains. If there is significant damage, please contact us promptly.
-  Unpack the box and compare the contents with the parts list and hardware list to ensure all components and accessories are present and complete.
-  Please read the installation instructions carefully to understand the installation steps and precautions to ensure proper installation.
-  Clean the installation area in advance and ensure the ground is level and there is enough space to avoid damaging the furniture or making installation difficult.
-  Lay a protective mat on the ground to prevent scratching the floor during installation.

After-Sales Service

- If you encounter any issues or need technical support during use, please contact our after-sales team. We offer long-term maintenance and warranty services.



Precautions

- ⚠ This product is for indoor use only. Do not expose it to outdoor elements or high-humidity environments.
- ⚠ Keep the product away from high heat or open flames to prevent fire hazards.
- ⚠ Do not allow children to climb on the product, as this may cause tipping and result in personal injury.



Safety Warnings

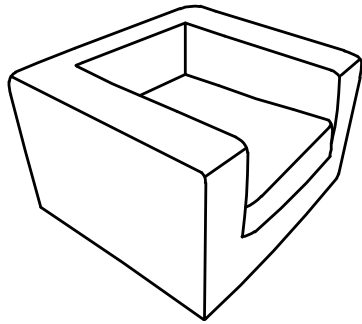
- ⚠ If you notice any loose or damaged parts, stop using the product immediately and contact customer service.
- ⚠ Do not attempt to disassemble or replace any components yourself, as this may affect the stability and safety of the product.

Daily Maintenance

- Regularly clean the surface with a soft cloth to prevent dust accumulation.
- Do not use cleaning agents containing acids, alkalis, or corrosive substances, as they may damage the surface. It is recommended to use neutral cleaning agents or specialized furniture cleaners.
- Avoid exposing furniture to humid environments for extended periods. Use a dehumidifier or desiccant during humid weather.
- Avoid direct contact of furniture with water. If water is accidentally spilled, wipe it dry immediately.
- Avoid placing excessively heavy objects on the furniture: ensure the weight is within a reasonable load-bearing range.
- Avoid using sharp or rough items on the furniture surface to prevent scratches. Handle items gently when moving them.

Parts List

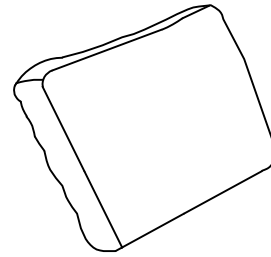
A



x1

Main body

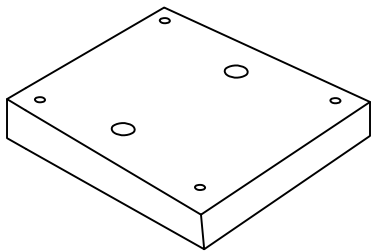
B



x1

Back Cushion

C



x1

Stow-wood

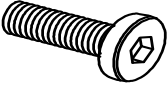
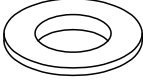

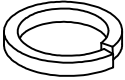


Installation:
15minutes.



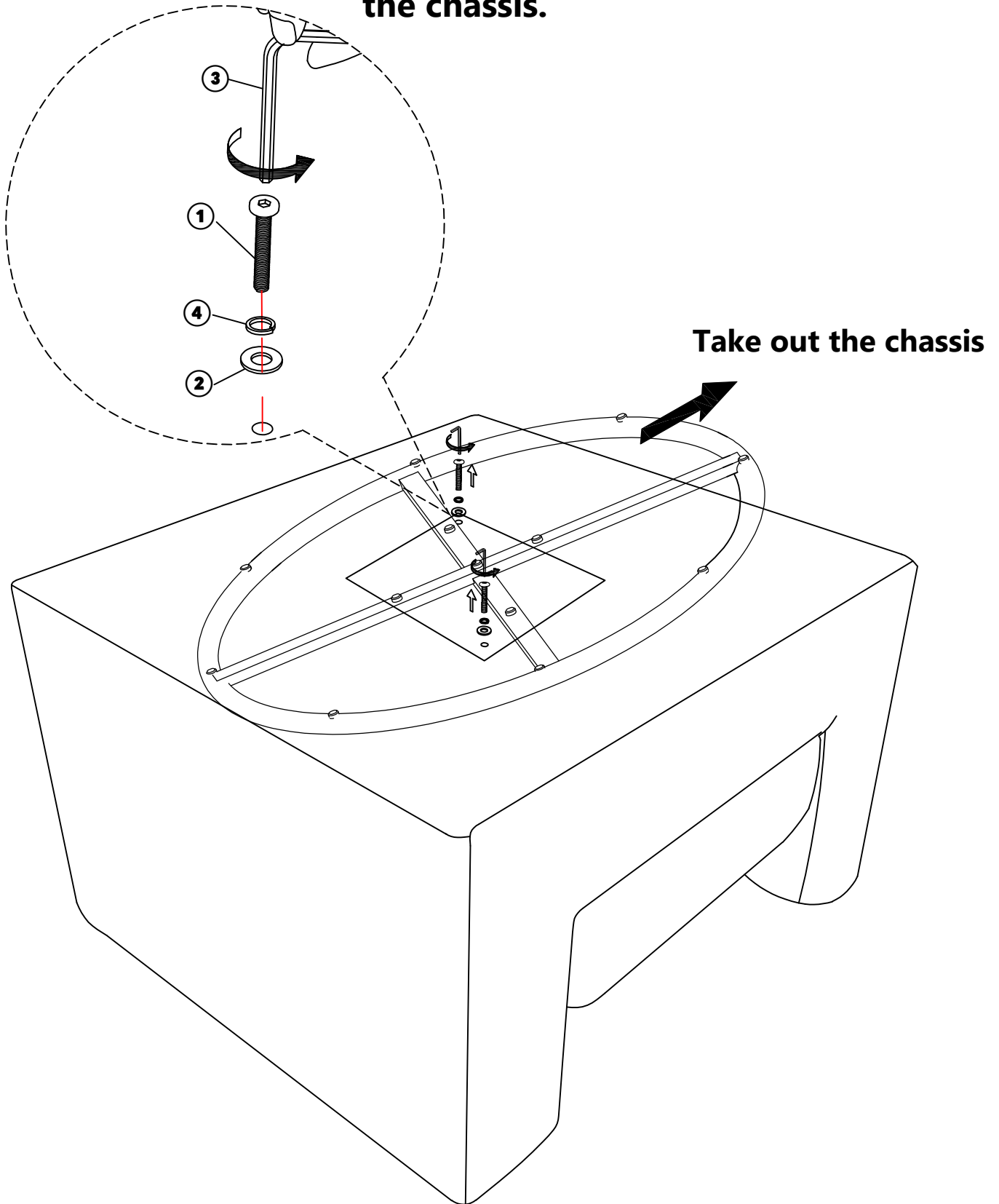
One Person


Hardware List

<p>1</p>  <p>x4+1</p> <p>5\16x90</p>	<p>2</p>  <p>x4+1</p> <p>5\16x18</p>	<p>3</p>  <p>x1</p>
<p>4</p>  <p>x4+1</p>		

Step 1

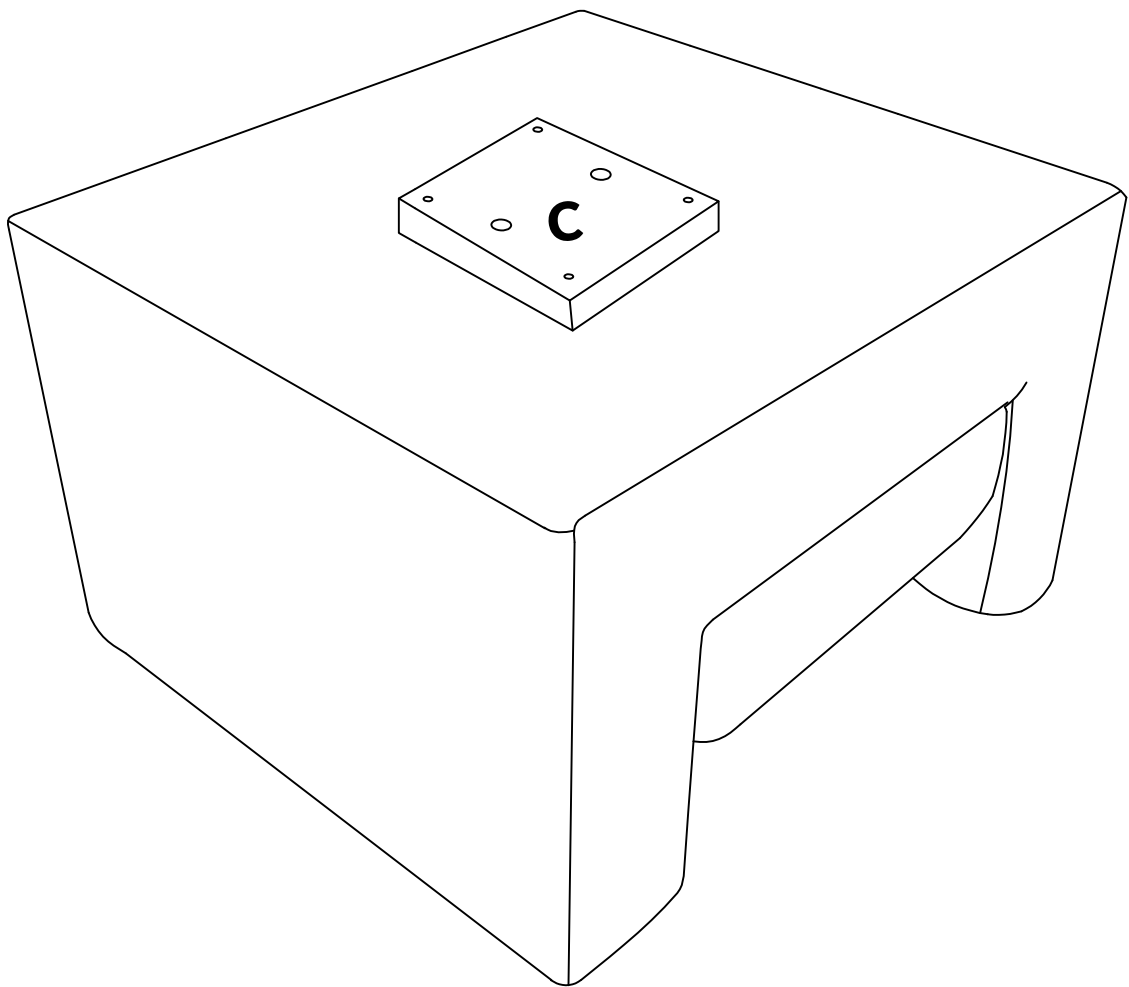
Remove the two screws ,then take out the chassis.



③x1			
			

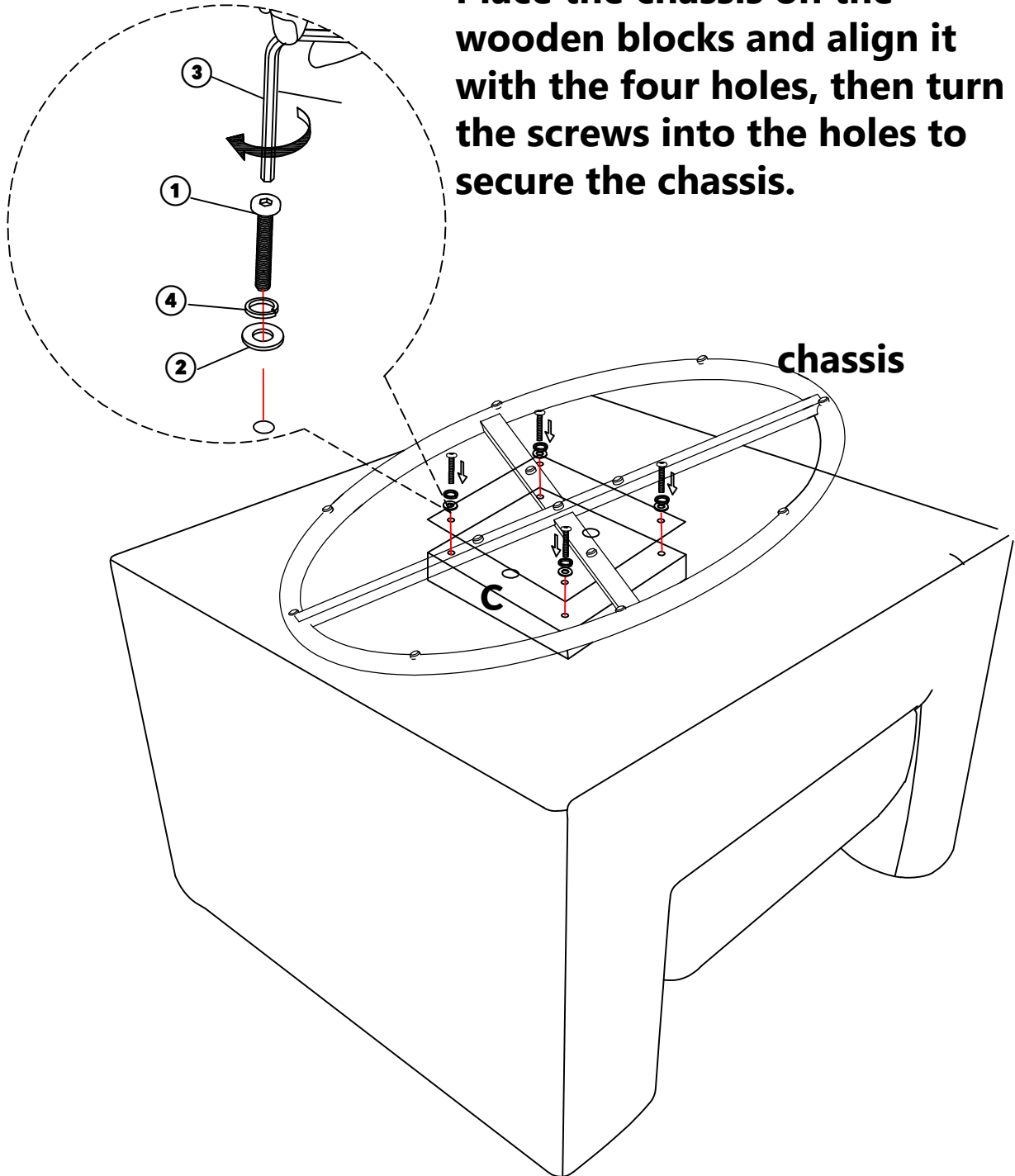
Step 2

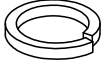



Take out the Stow-wood and place it in the position shown in the picture, align it with the bottom hole



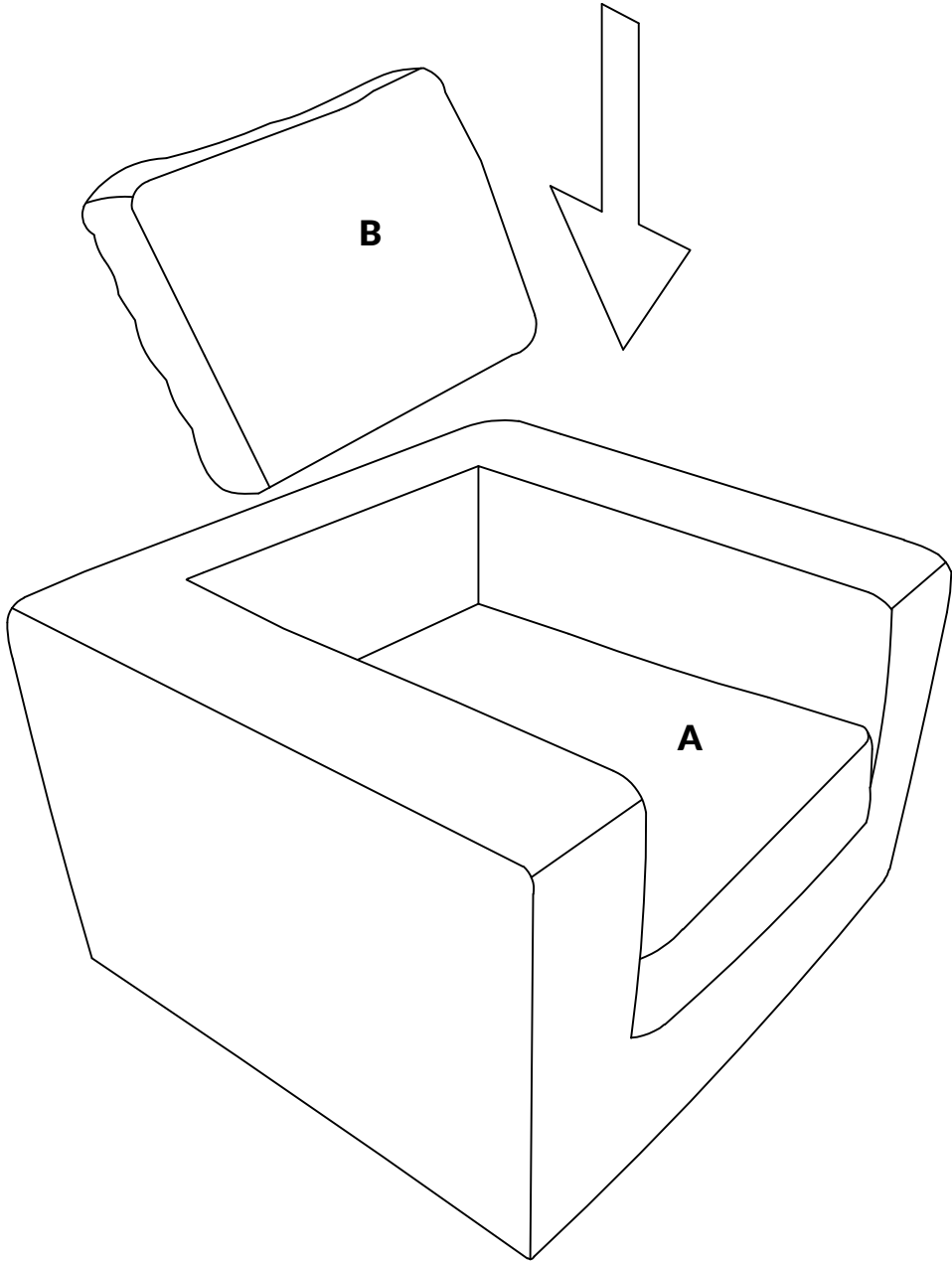
Step 3

Place the chassis on the wooden blocks and align it with the four holes, then turn the screws into the holes to secure the chassis.

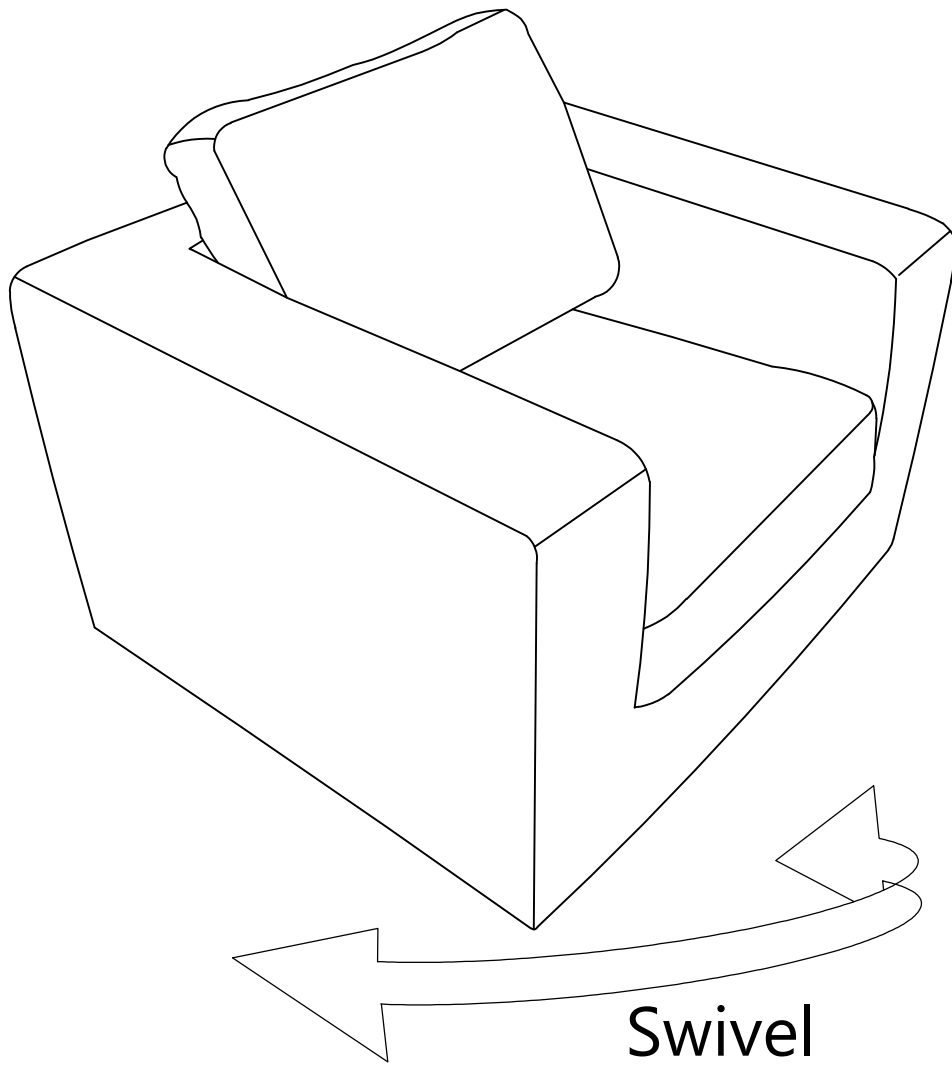


④x4	②x4	①x4	③x1
			
		5\16x90	

Step 4



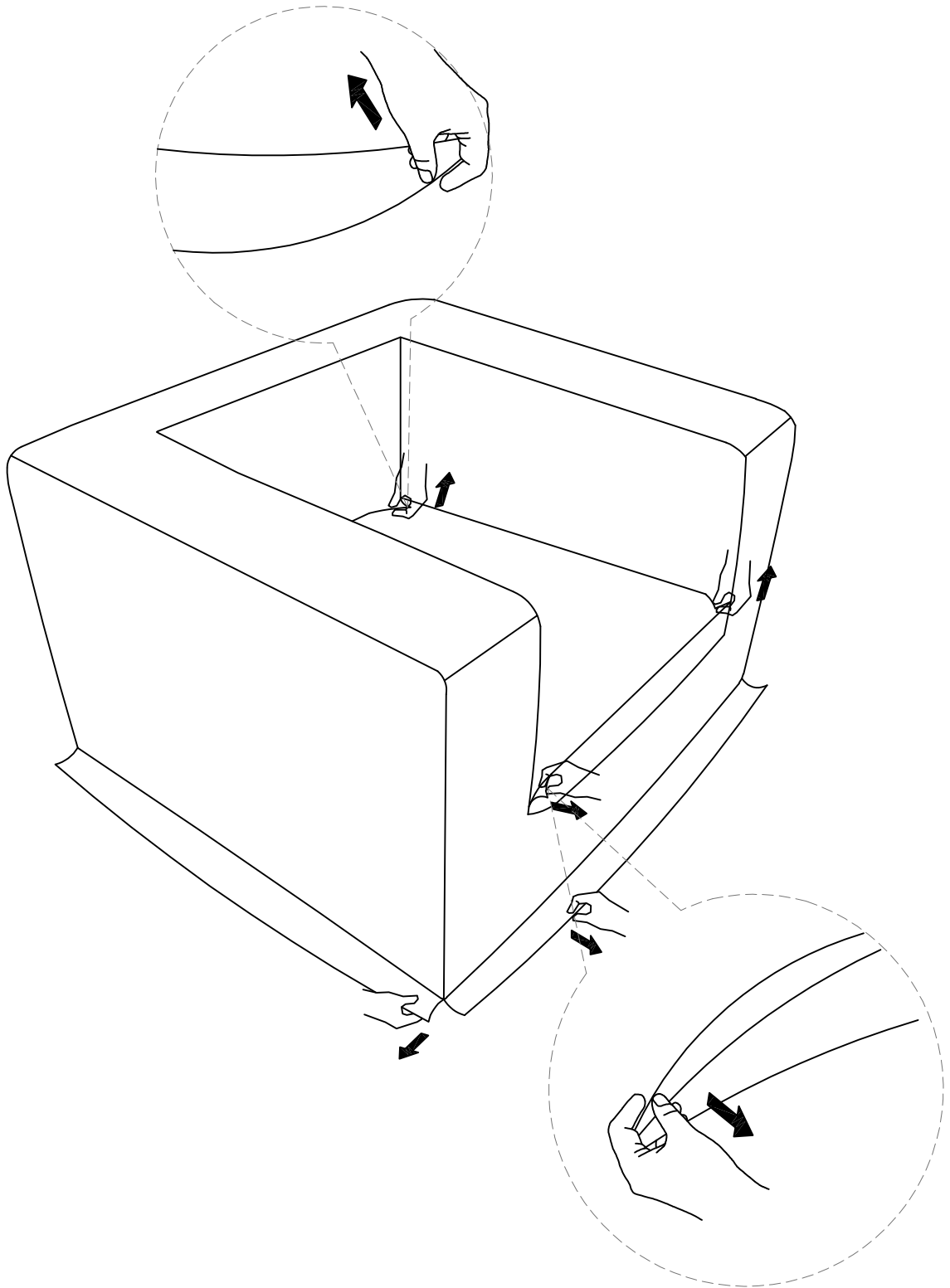
Step 5



Assembly completed

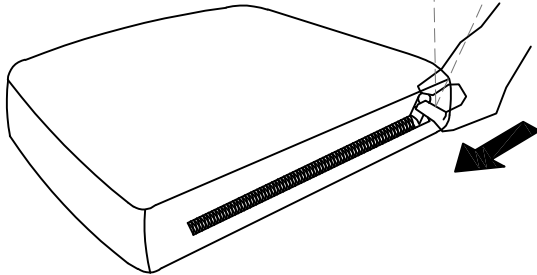
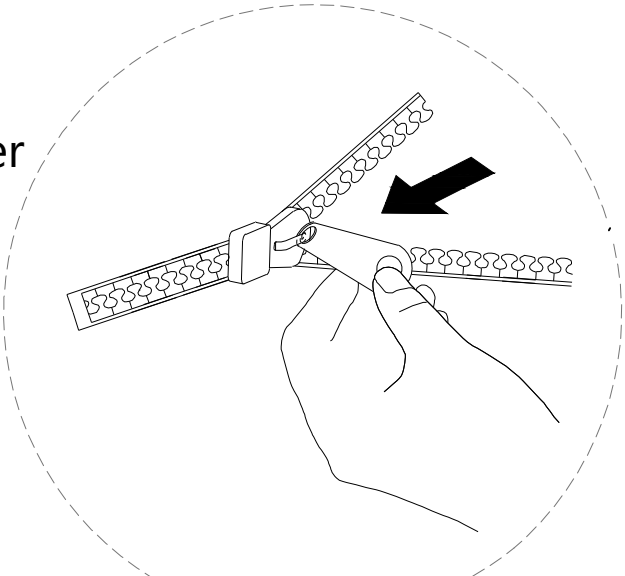
Steps to Remove and Reassemble Sofa Covers

Step 1

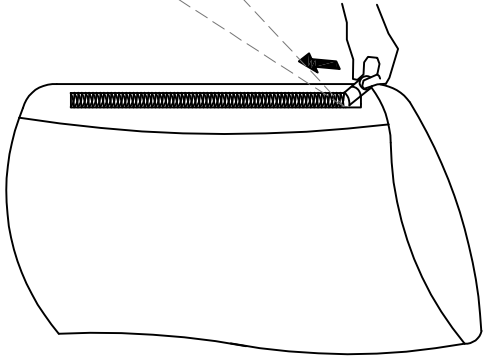


Step 2

Open zipper

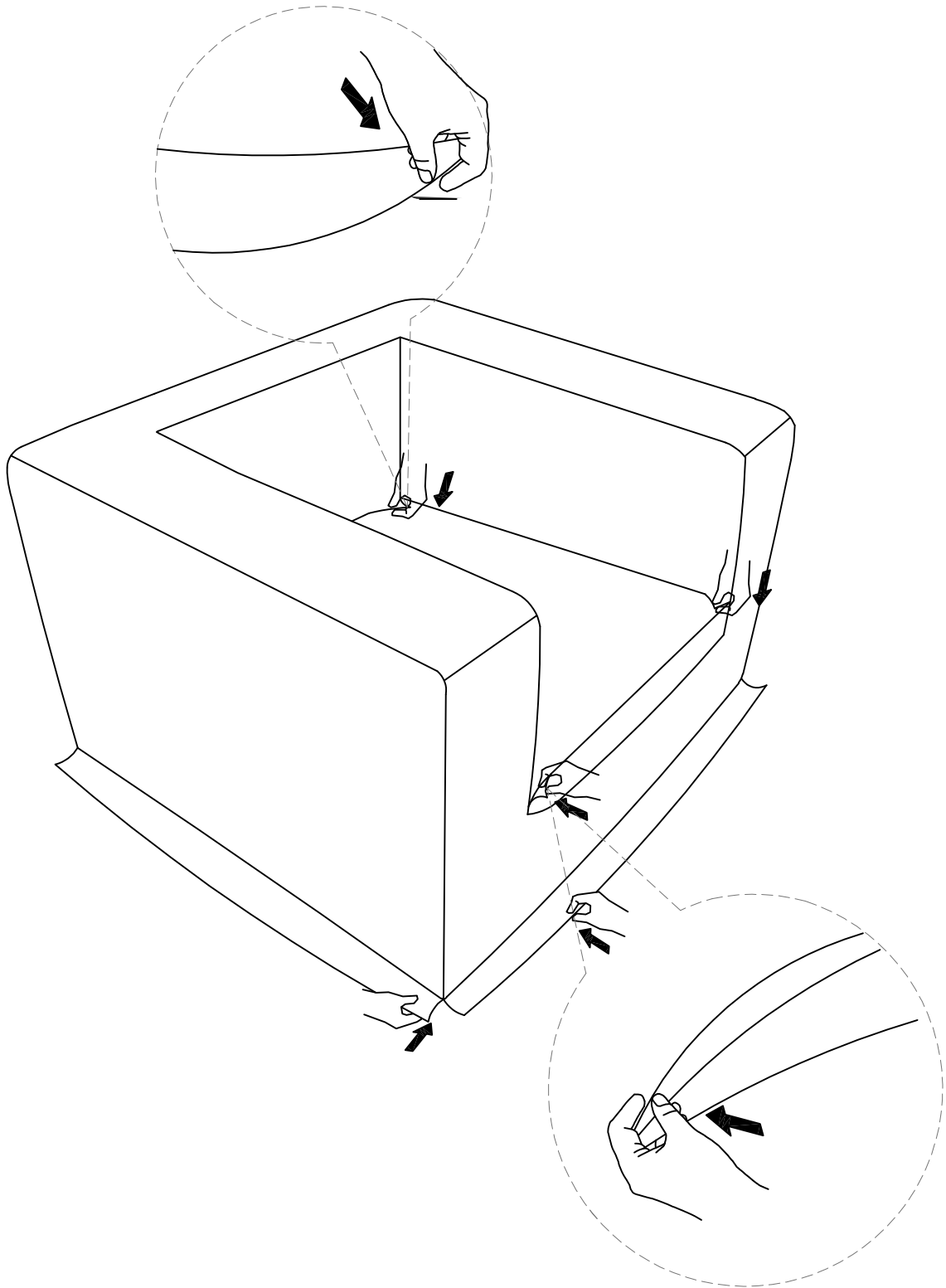


Seat cushion



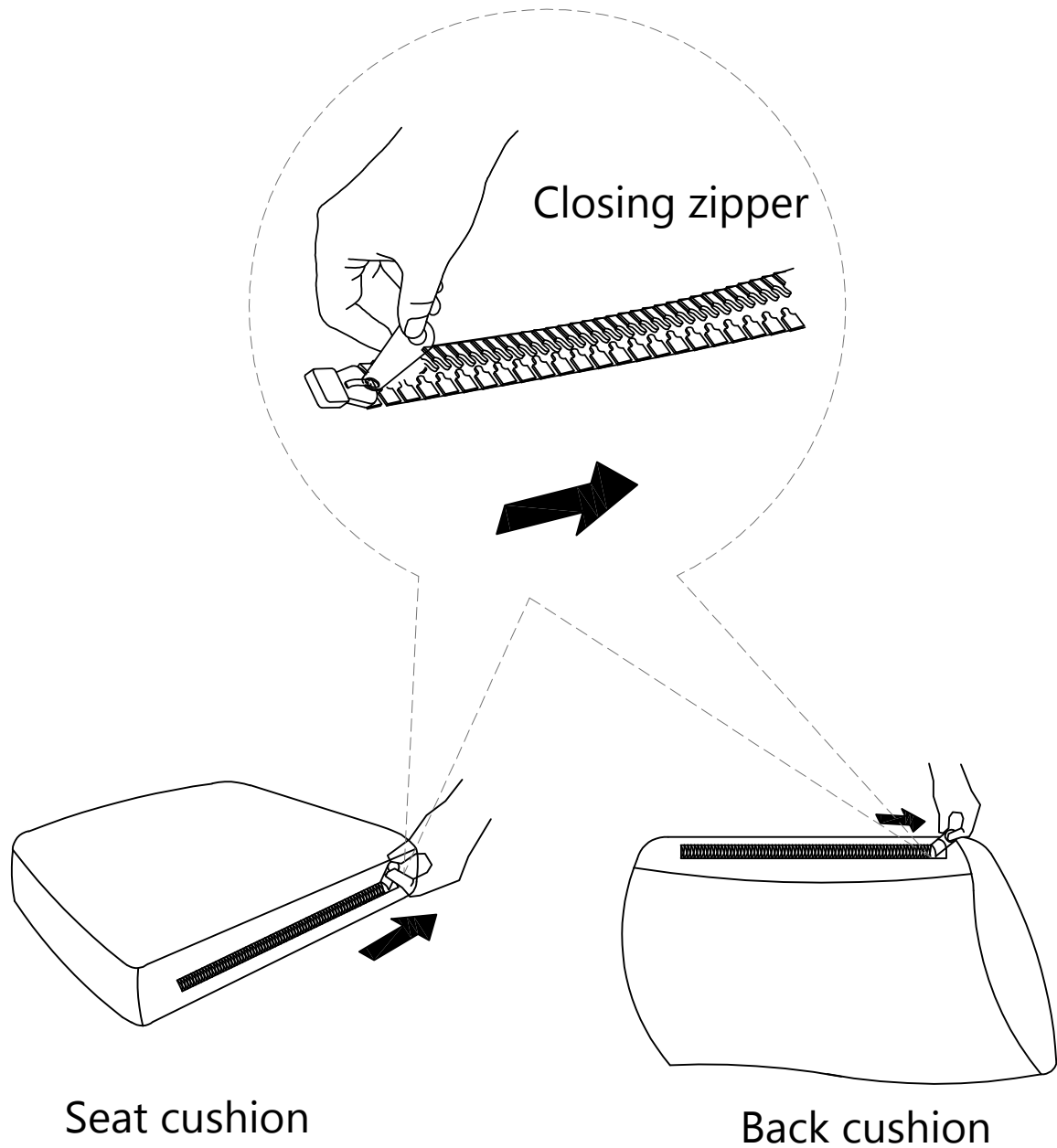
Back cushion

Step 3



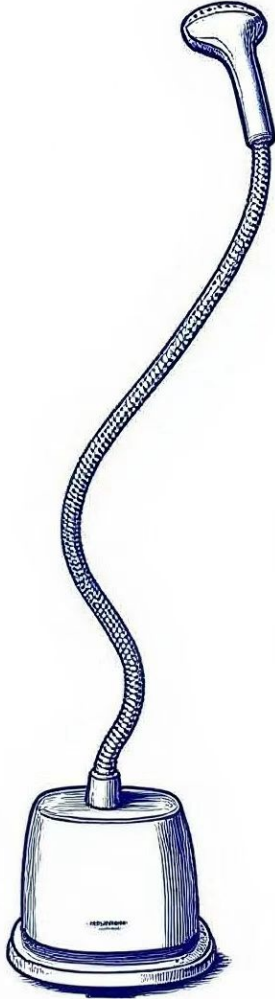
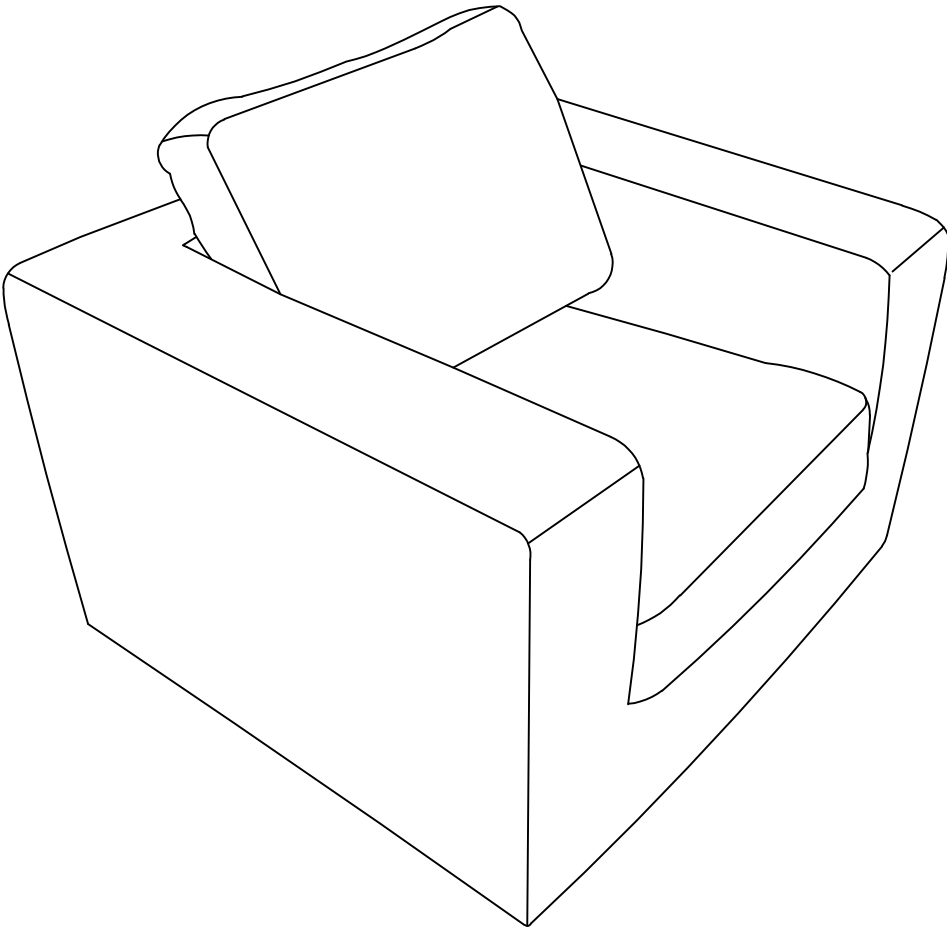
Put the sofa covers back on the sofa
and stick down all the Velcro strips

Step 4



Please tidy it up and pat the surface to ensure even and full filling of the soft pack

If necessary, iron the fabric cover with a steam iron to loosen wrinkles.



WARRANTY

- We strive to offer quality products, and we also try our best to satisfy every customer who orders from us with products or services as needed.
- Replacement parts by purchasing them from our company if they are available.
- For return, please check the return policy with the retailer or market place you bought from