



GENERAL INSTRUCTIONS

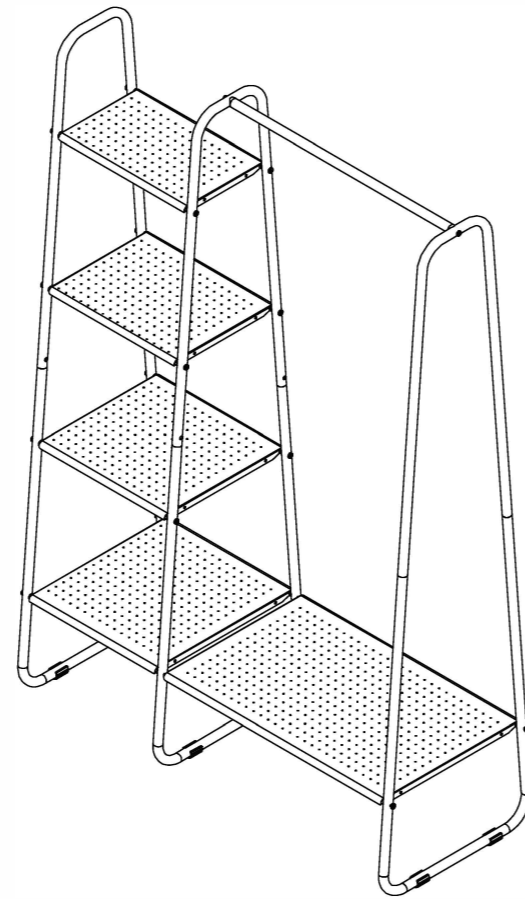
Thank you for purchasing this product.

Please read these instructions carefully before use.

Keep these instructions for future reference.

MATERIALS	EPOXY-COATED STEEL
PRODUCT SIZE (cm/in)	100.6 cm x 40.9 cm x 151.5 cm 21.7 in x 8.7 in x 26 in
WEIGHT TOLERANCE (kg/lbs)	HANGER ROD: 10 kg / 22 lbs SMALL PANEL: 3 kg / 6.6 lbs LARGE PANEL: 6 kg / 13.21 lbs

* WEIGHT CAPACITY IS MEASURED VALUE, NOT GUARANTEED VALUE.
* PRODUCT SPECIFICATIONS ARE SUBJECT TO CHANGE WITHOUT NOTICE.



PRECAUTIONS

FOR SAFE USAGE PLEASE OBSERVE THE FOLLOWING:

FOR INDOOR STORAGE USE ONLY

During use:

- Keep product on a flat, stable surface.
- Do not use on balconies; especially in high-rise buildings.
- Do not use near stove or other sources of fire.
- Please observe weight tolerance and do not overload product.
- Balance hanging objects evenly on product for even weight distribution.
- Please check that the screws are properly tightened after installation. Screws may loosen over time; re-tighten as needed.

For safety:

- Do not allow children to play with product.
- Do not let children climb or hang on the product.
- Do not hang or store excessive weight on the product.
- Pipe edges may be sharp: may cause injury or cuts.
- Choking hazard: Keep small parts away from children.

When moving products:

- Remove all items and lift evenly from both sides.
- Hold lower pipes when moving up and down steps.

To avoid damage to product:

- Keep away from direct sunlight or high humidity.
- Wipe away any water, oil, or soap immediately.
- Do not place hot or wet items on the product.
- Do not place stickers or tape on product.
- Wipe off any excess grease from pipes

CLEANING METHOD

TO MAINTAIN HIGH PERFORMANCE OF THE PRODUCT, PLEASE MAKE SURE TO OBSERVE THE FOLLOWING:

- For hard to remove stains, wipe with diluted dish soap on damp cloth and dry thoroughly
- Do not use cleaning products such as alcohol, gasoline, bleach or detergent powder.

INCLUDED PARTS

- PLEASE CONFIRM THE FOLLOWING PARTS ARE INCLUDED BEFORE ASSEMBLING.
- PACKAGING MATERIAL IS NOT MARKED.

A Hanger Panel x1	B Large Bottom Rack Panel x1	C Medium Middle Rack Panel x1
D Small Middle Rack Panel x1	E Extra Small Top Rack Panel x1	F Upper Pipe Left 4 holes x1
G Upper Pipe Middle 5 holes x1	H Upper Pipe Right 1 hole x1	I Lower Pipes Left/Middle 4 holes x2
J Lower Pipe Right 2 holes x1	K Short Rack Pipes x8	L Long Rack Pipes x2
M Hanger Rod x1	N Feet x6	O Double-sided Bolts x2
P Spacers x2	Q Long Bolts x18	R Screws x6
S Hex Key x1	⚠ WARNING No. 2 Phillips Screwdriver required for assembly. In order to avoid damage, do not use an impact driver.	

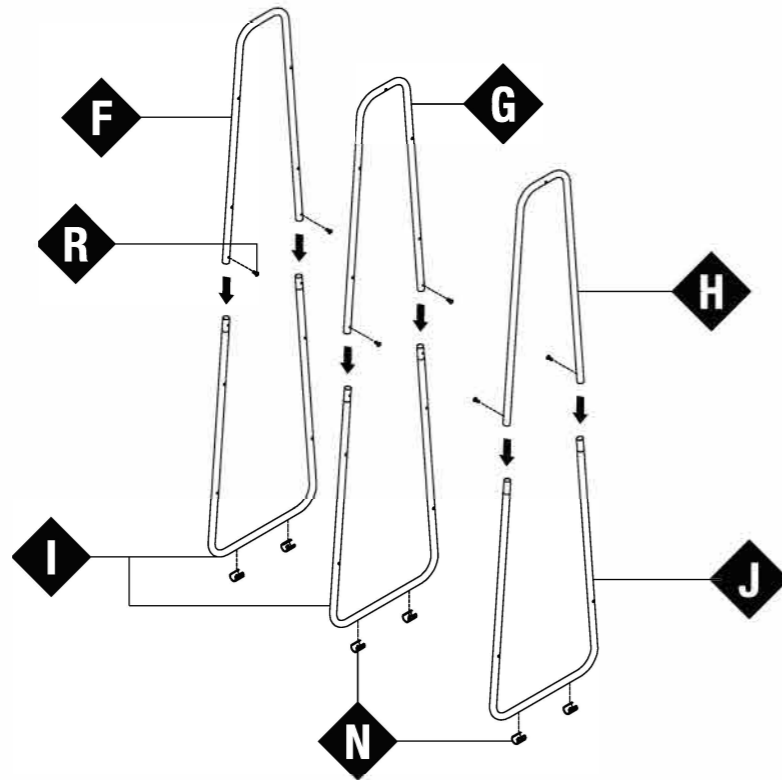
ASSEMBLY METHOD

- ASSEMBLY WITH 2 PEOPLE RECOMMENDED
- IF ASSEMBLING INDOORS, BE WARY OF UNEVEN SURFACES SCRATCHING THE FLOORING.

- GLOVES SUGGESTED TO AVOID INJURY DURING ASSEMBLY.
- ASSEMBLE NEAR LOCATION OF INTENDED USE.

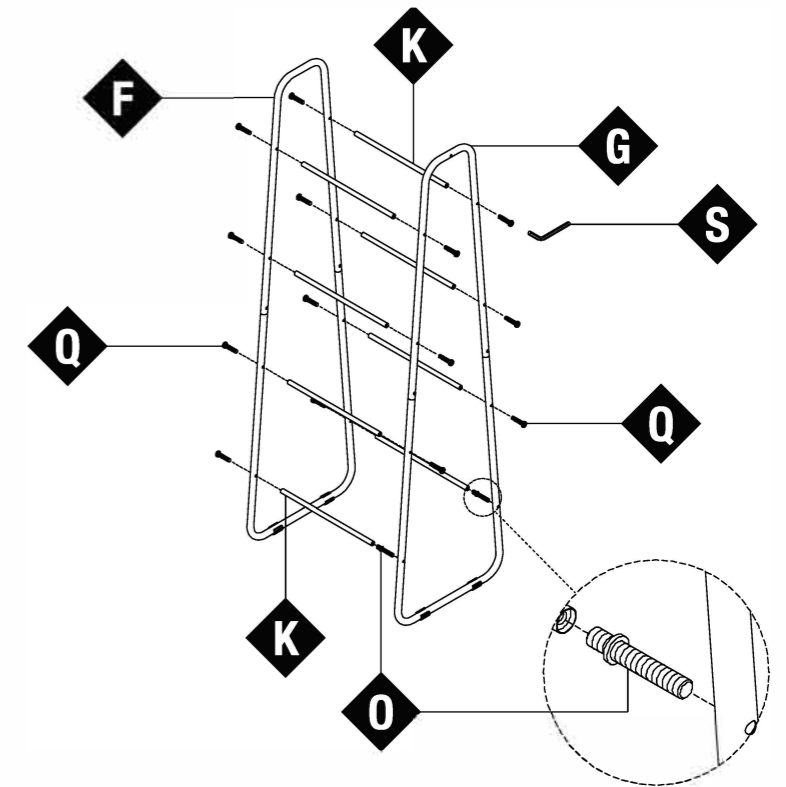
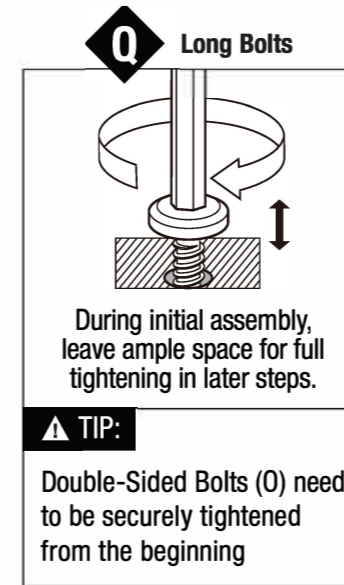
- BE MINDFUL OF YOUR FINGERS WHEN INSERTING PIPES.

1 Insert the Upper Pipes (F,G,H) and adhere Feet (N) to bottom of Lower Pipes (I,J). Use the diagram below as reference and be mindful of the direction the pipes are facing, with indented holes facing out.



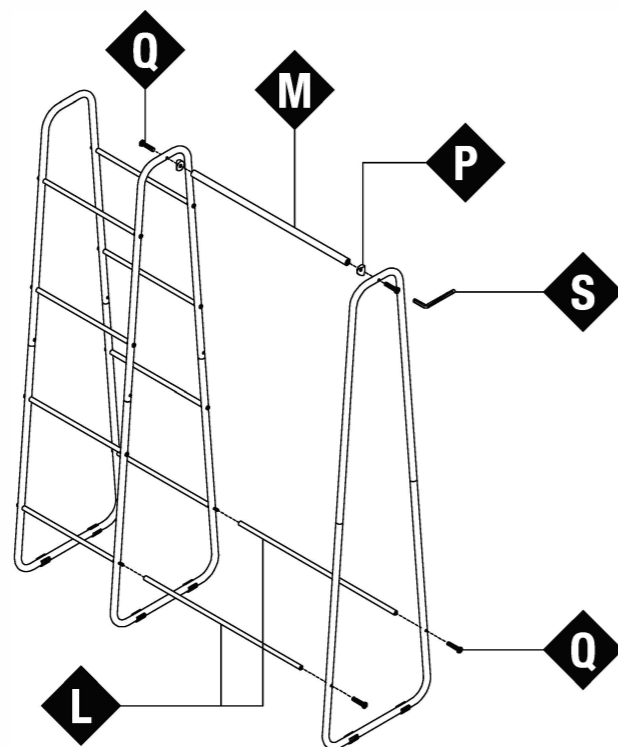
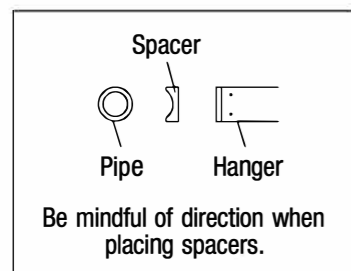
2 Attach the Short Rack Pipes (K) to the Left and Middle Pipes (F,G,I).

CAUTION Do not fully tighten long bolts (Q) until Step 5.

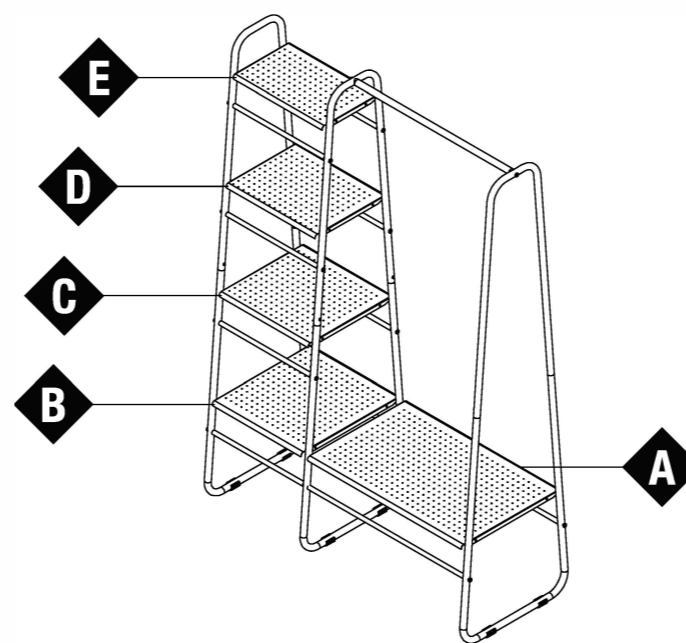


3 Attach the Long Rack Pipes (L) and Hanger Rod (M) to the Middle and Right Pipes (G-J).

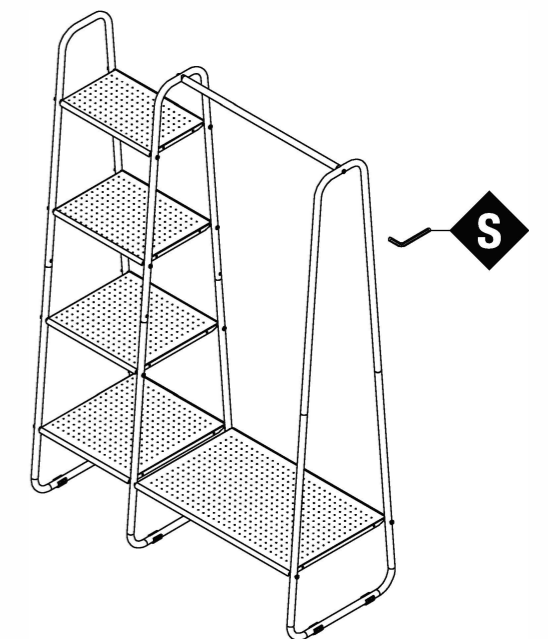
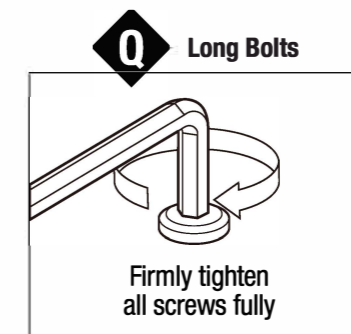
CAUTION Do not fully tighten long bolts (Q) until Step 5.



4 Securely place the panels (A-E) over the Rack Pipes (K,L). Make sure all feet are evenly placed on a flat surface/floor



5 Securely tighten all screws and bolts.



CAUTION If product does not sit flat, loosen screws and bolts to readjust and retighten when flat.