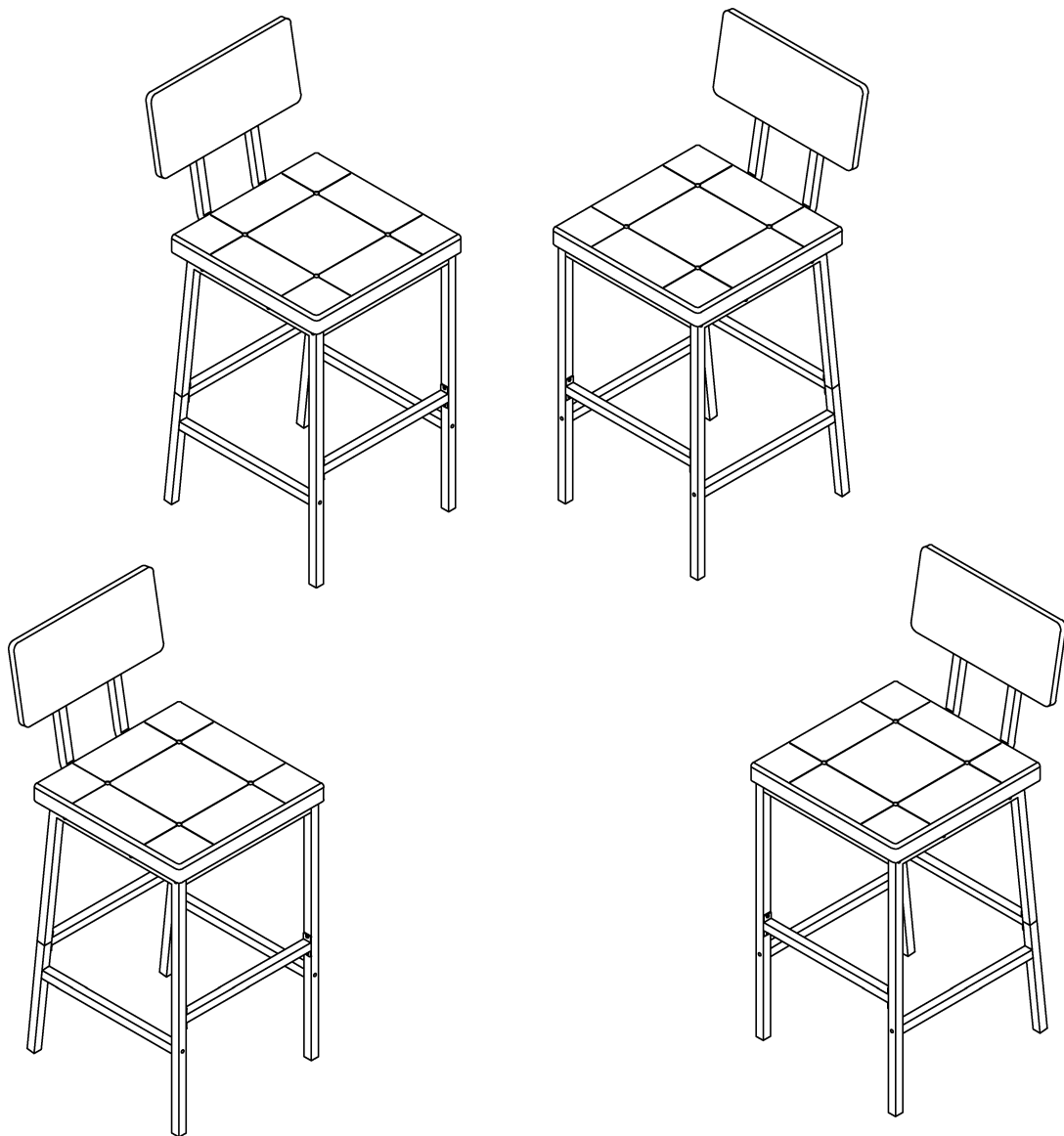


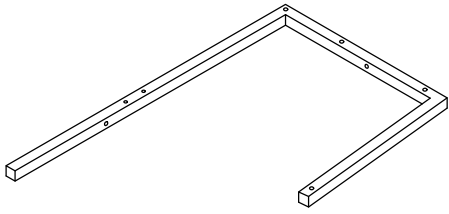
INSTRUCTIONMANUAL



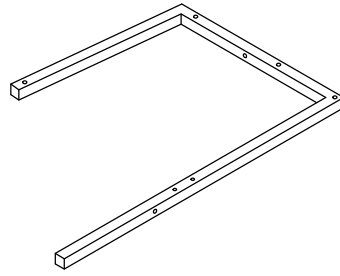
■ Please don't tighten the screws completely and go back later for a final



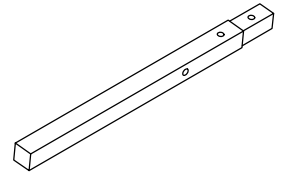
HARDWARELIST



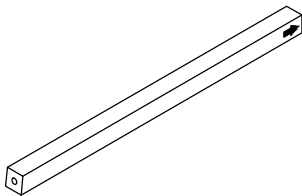
① x4PCS



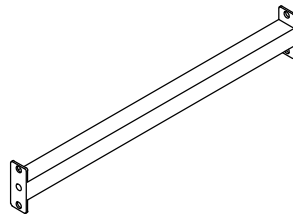
② x4PCS



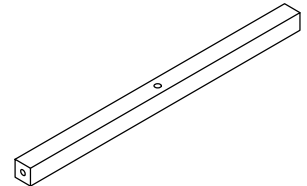
③ x8PCS



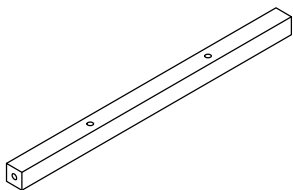
④ x8PCS



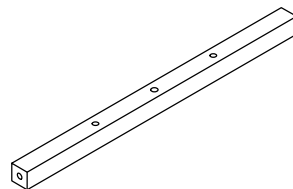
⑤ x8PCS



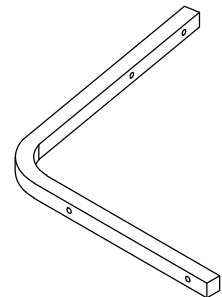
⑥ x4PCS



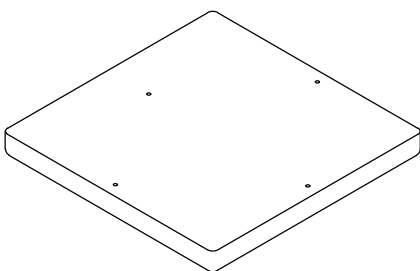
⑦ x4PCS



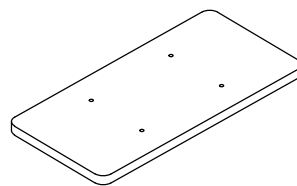
⑧ x4PCS



⑨ x8PCS

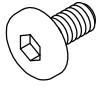


⑩ x4PCS

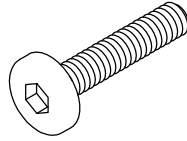


⑪ x4PCS

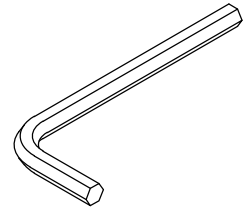
LISTPARTA



M6*12mm
A x 32PCS

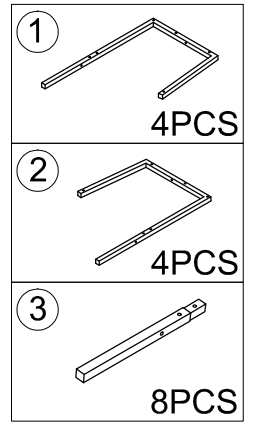
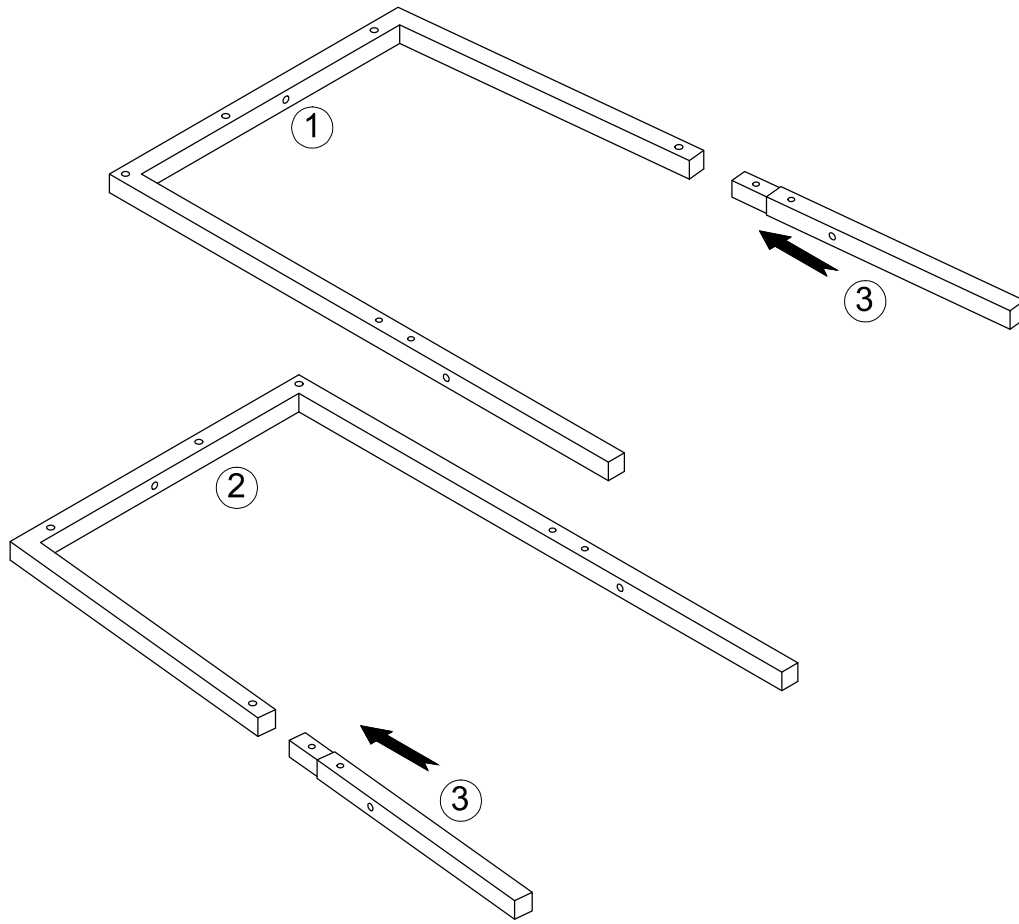


M6*30mm
B x 88PCS



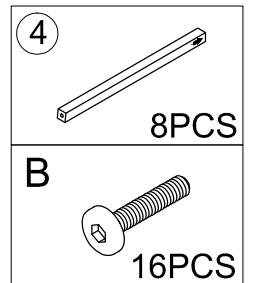
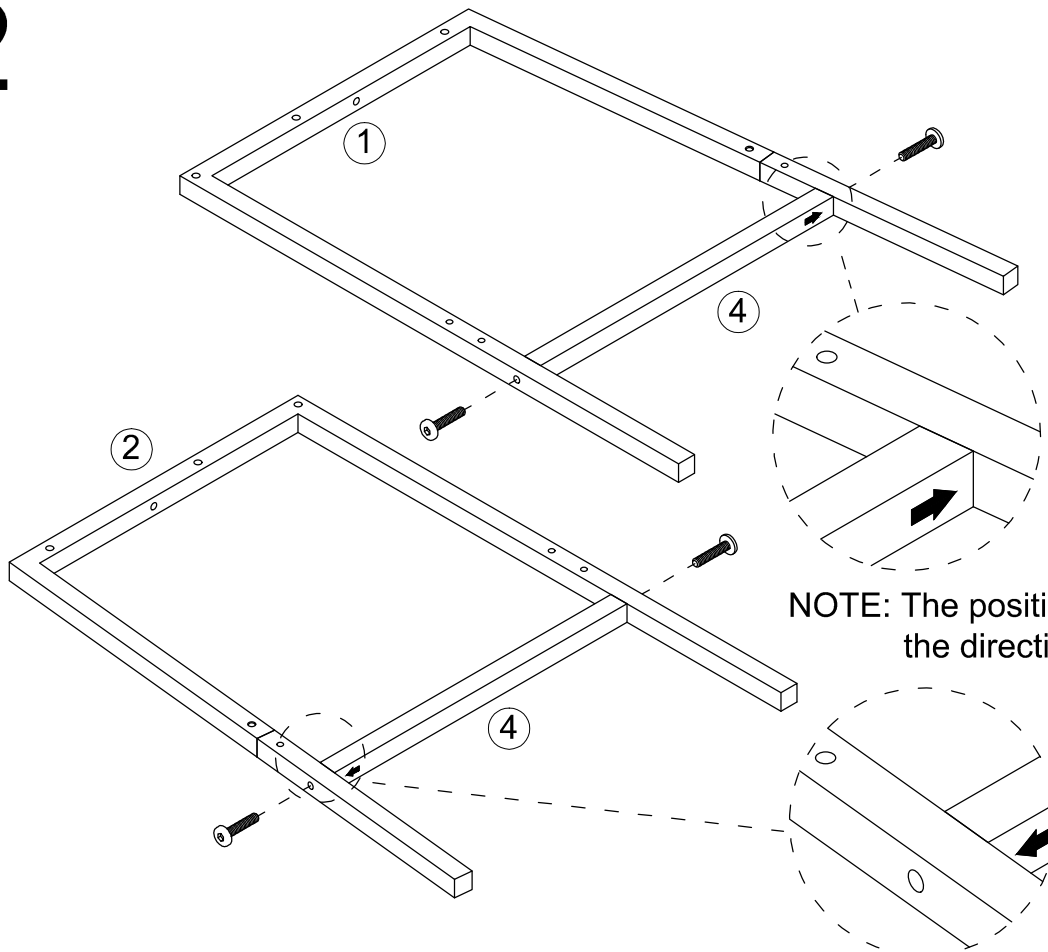
C x 1PC

1



X 4

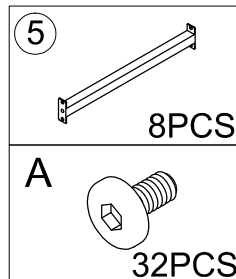
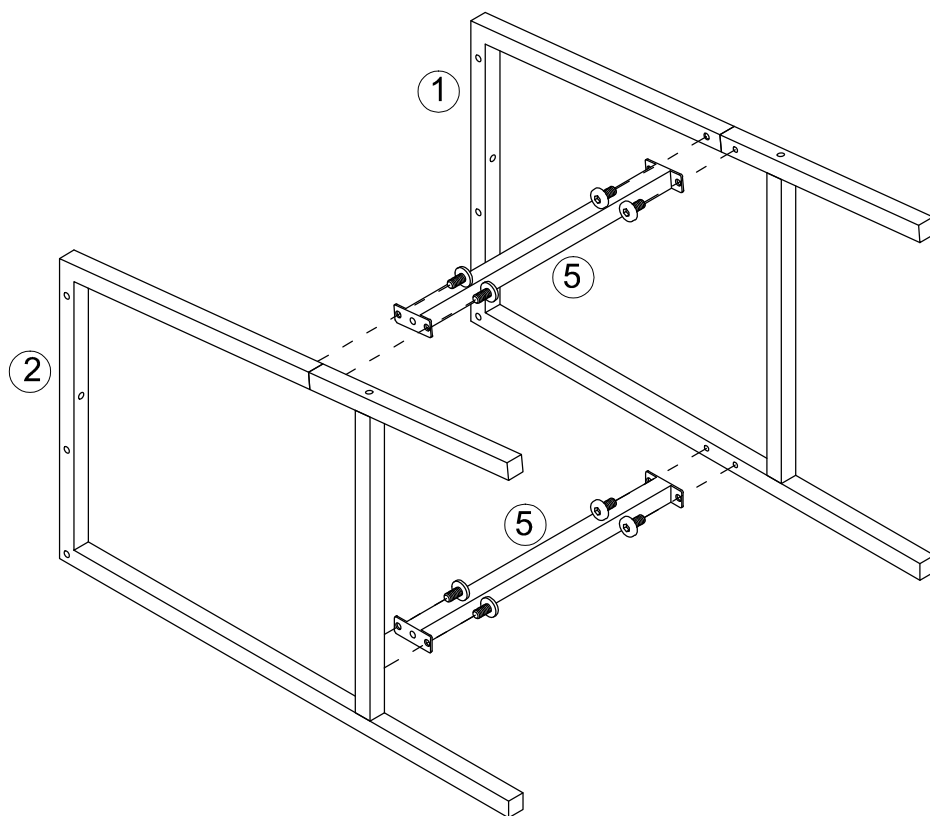
2



NOTE: The position of the slope is in the direction of the arrow.

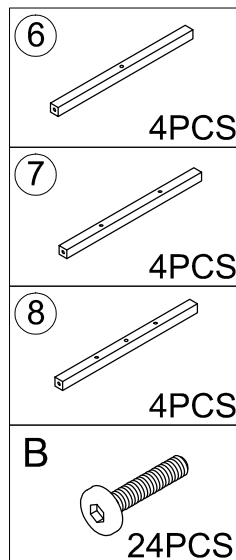
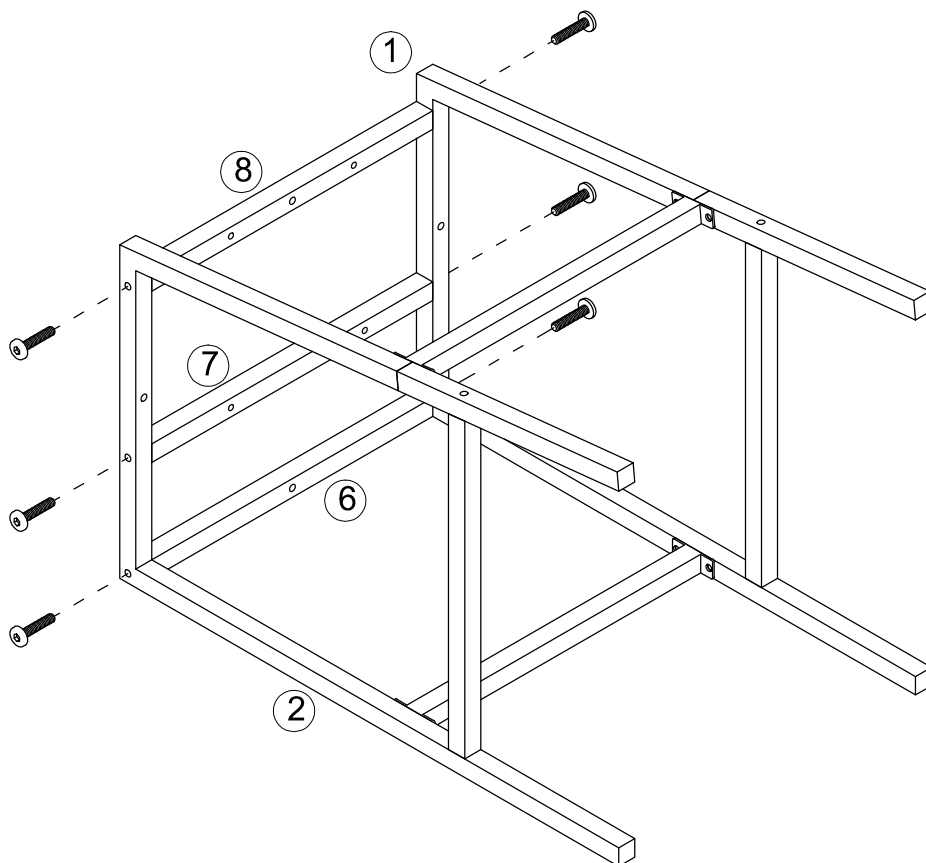
X 4

3



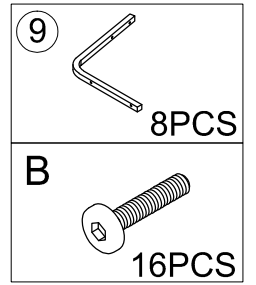
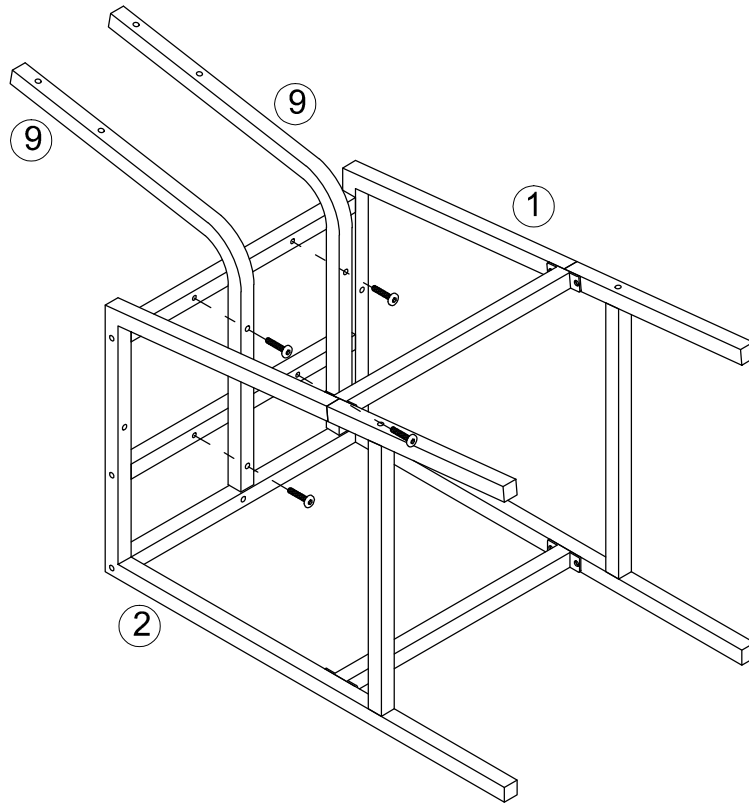
X 4

4



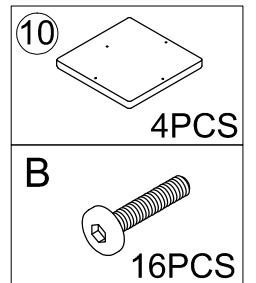
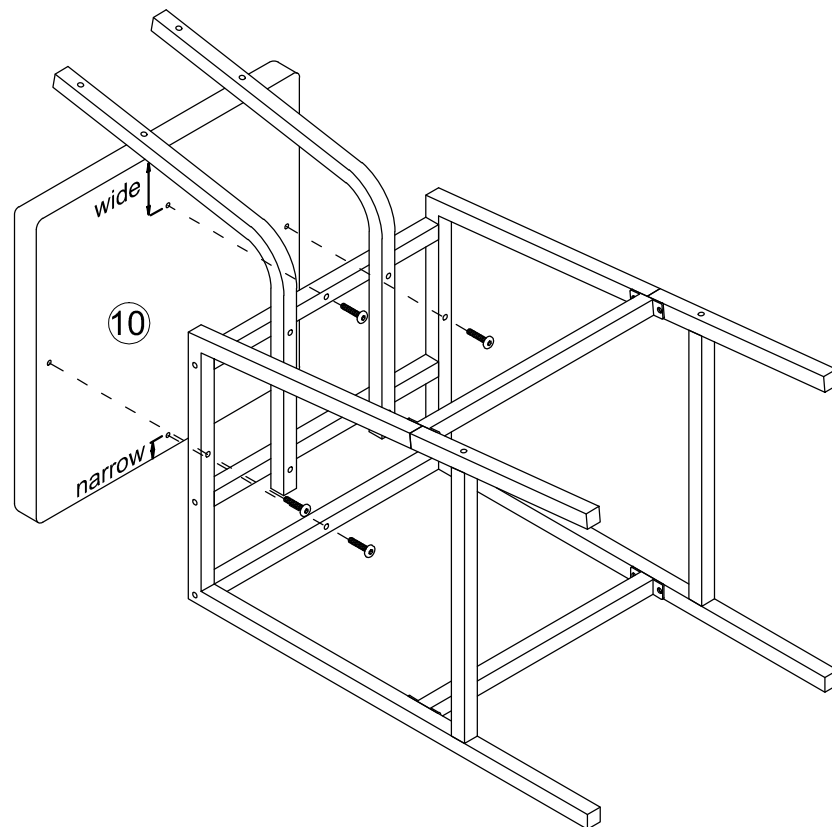
X 4

5



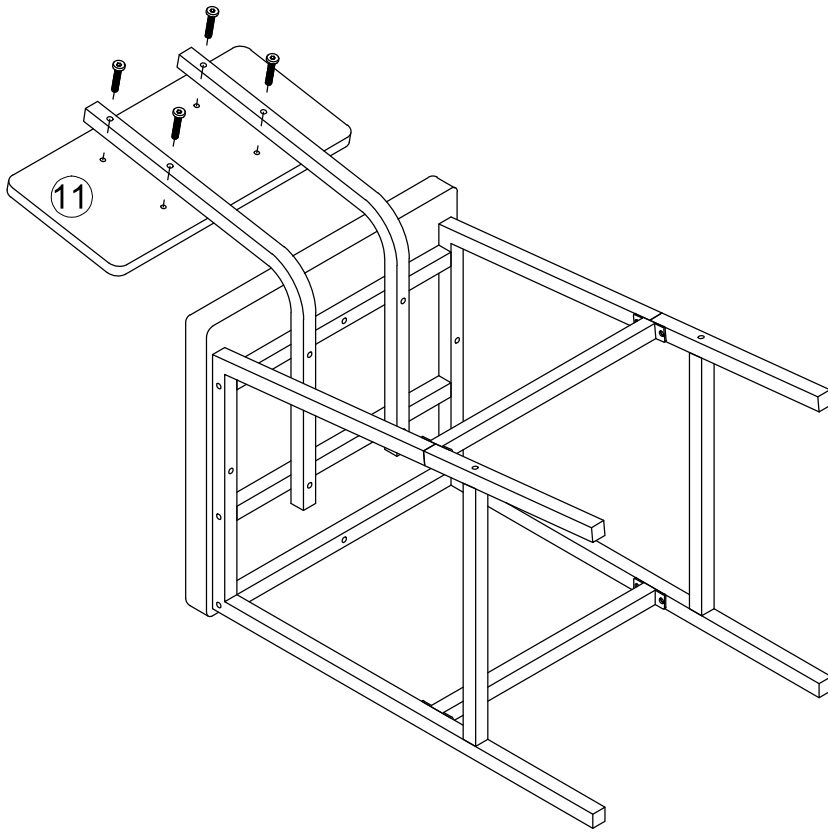
X 4

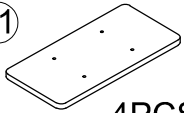
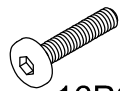
6



X 4

7



11		4PCS
B		16PCS

X 4

8

