

# BENCH

## ASSEMBLY GUIDE



**Important - Please read these instructions fully before starting assembly**



**SAFETY AND  
CARE ADVICE**



**NO POWER TOOLS**

**SAFETY AND CARE ADVICE**

- Check you have all the components and tools listed.
- Remove all fittings from the plastic bags and separate them into their groups.
- We do not recommend the use of power drills/drivers for inserting screws, as this could damage the unit. Only use hand screwdrivers and Allen keys.
- Keep children and animals away from the work area, small parts could cause choking if swallowed.
- Make sure you have enough space to lay out the parts before starting.
- Assemble the item as close to its final position (in the same room) as possible.
- Do not overtighten the nuts to avoid causing damage to the threads.
- Only clean using a damp cloth and mild detergent, do not use bleach or abrasive cleaners.
- From time to time check that there are no loose screws on this unit
- This product should not be discarded with household waste. Take to your local authority waste disposal centre

## IMPORTANT INFORMATION



30 MINUTE  
BUILD



TWO  
PERSON







MAXIMUM  
CAPACITY  
120Kg

PLEASE CHECK CAREFULLY AND MAKE SURE YOU HAVE ALL FITTINGS AND TOOLS LISTED BELOW BEFORE YOU START.

### LIST OF PARTS

No	Description	Qty
1	Bench Top	1 PC
2	Bench Legs	4 PCS

### HARDWARE LIST

No	Description	Qty
A	JCBC BOLT 	8 PCS
B	Spring Washer 	8 PCS
C	Flat Washer 	8 PCS
D	Allen Key 	1 PC

**NOTE:** The quantities above are the correct amount to complete the assembly for 2x chairs. In some cases more fittings may be supplied than are required.

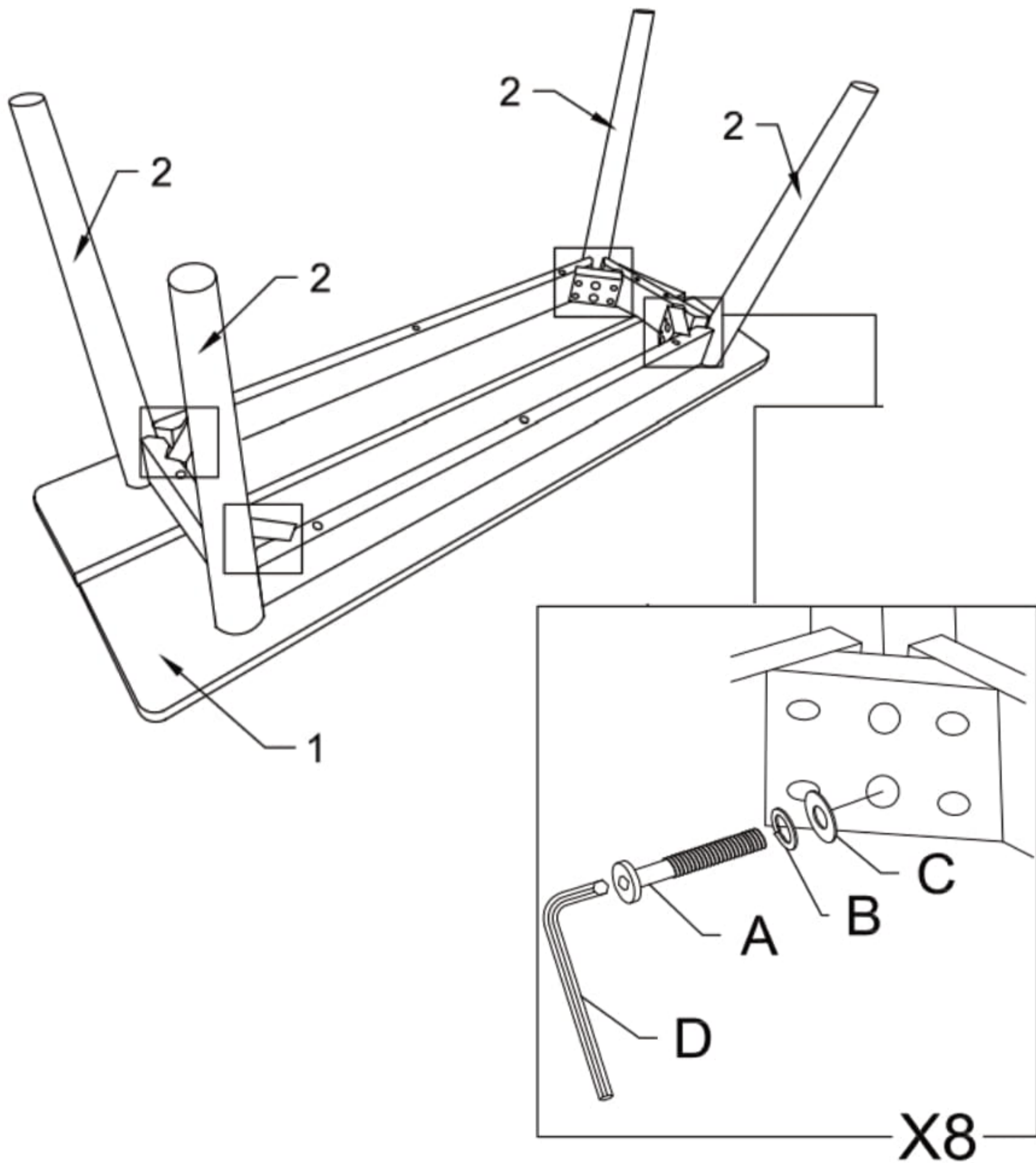
# STEP 1

Use a clean, flat, soft surface to avoid any bumps or scratches.

Place Bench top [1] upside down on the flat surface and align 4 x bench legs [2] with the pre drilled holes.

Secure the legs in place using 8 x flat washer [C], spring washer [B] and bolt [A] - 2 sets of fixings per leg.

Tighten using Allen key [D], ensure not to over tighten the bolts.

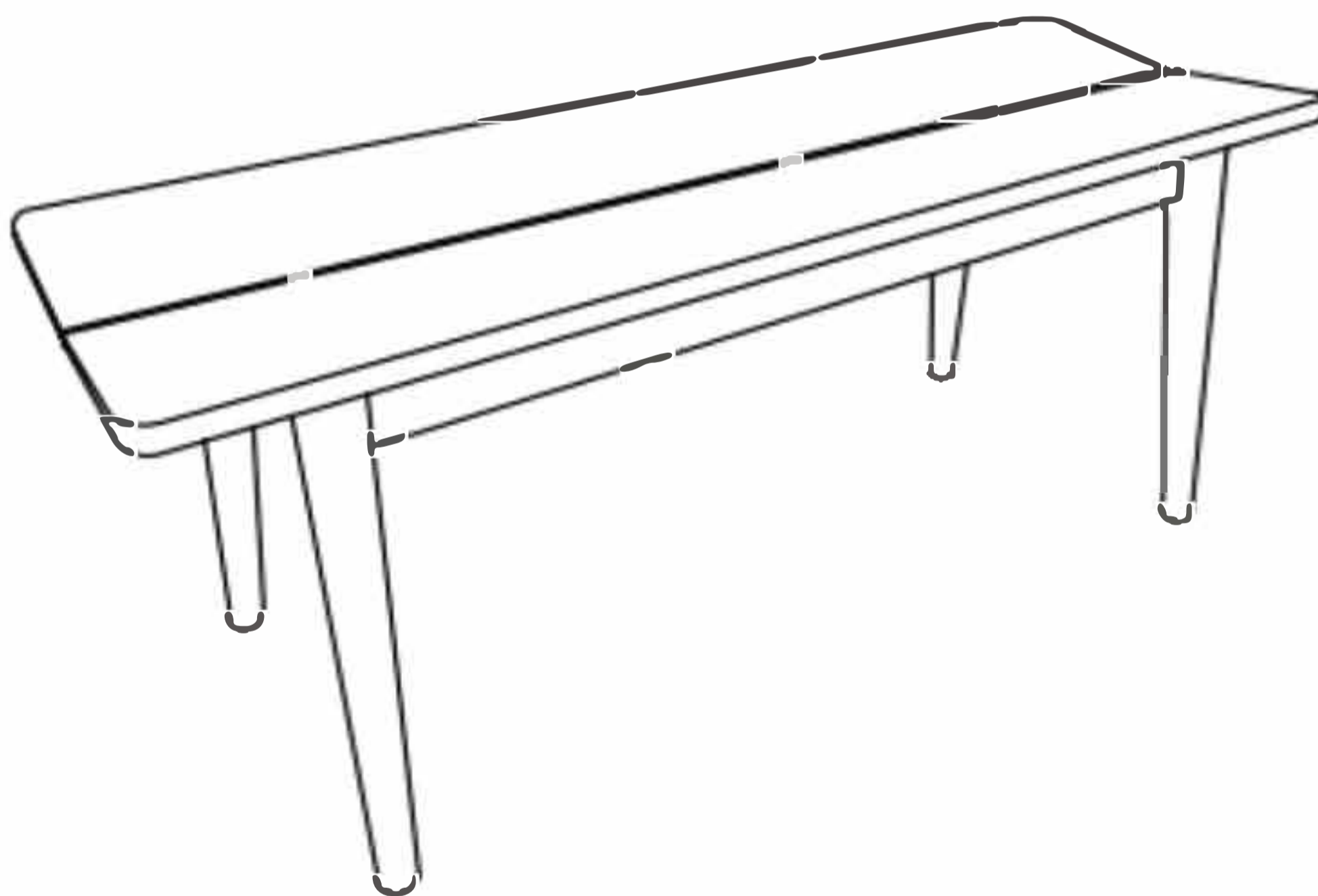


## STEP 2

Carefully, and with help, flip the bench upright on to the legs. .  
Check the stability.

Your Bench is now ready to use!

**NOTE:** This bench is not suitable to stand on.





## OUR 2 YEAR GUARANTEE

our products come with a 2 year guarantee to give you peace of mind shopping

some garden furniture items have a 1 year guarantee



## WHAT THE GUARANTEE COVERS

---



**PRE-INSERTED FIXINGS**  
e.g. loose metal threads



**FAULTY JOINTS**  
e.g. legs bending



**EXTERNAL FIXING FAULTS**  
e.g. metal discs removing from table top



**STRUCTURAL INTEGRITY**  
e.g. the frame of the product