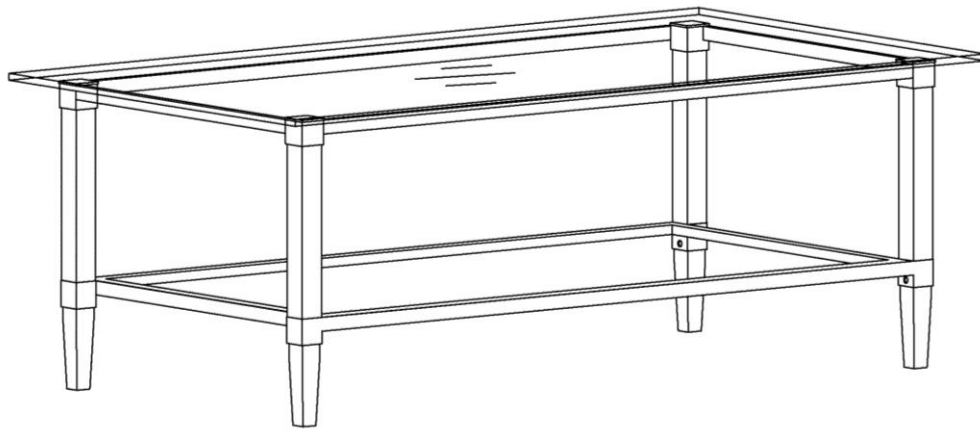



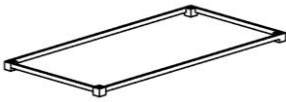
# Assembly Instructions

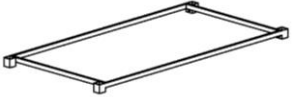

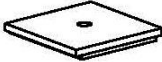
**Caution : You must read this before you proceed**

## Square end table



### Parts List

Label	Picture	Description	QTY
A		Top Glass	1
B		Top Frame	1

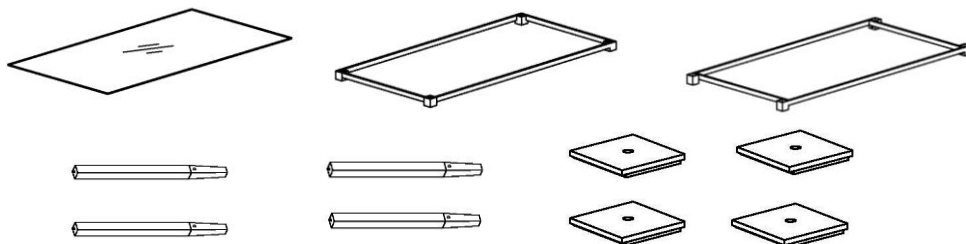
C		Bottom Frame	1
D		Leg	4
E		Metal cap	4

## Hardware

Label	Picture	Description	QTY
①		Bolt (M6*16mm)	9
②		Allen Key	1
③		Antiskid Pad	5

## Assembly Preparation

**Before Beginning Assembly:**





- Read instructions, cover to cover-



- Have 2 adults on hand for assembly-



- Do not assemble on flooring or carpet-



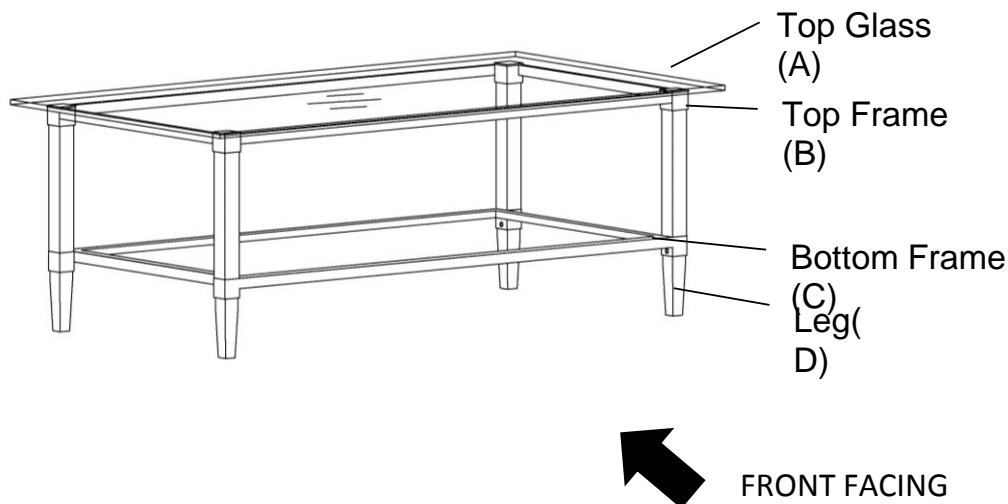
- Assemble on a clean non-marring surface (packing foam)-



- Save all packaging until finished-

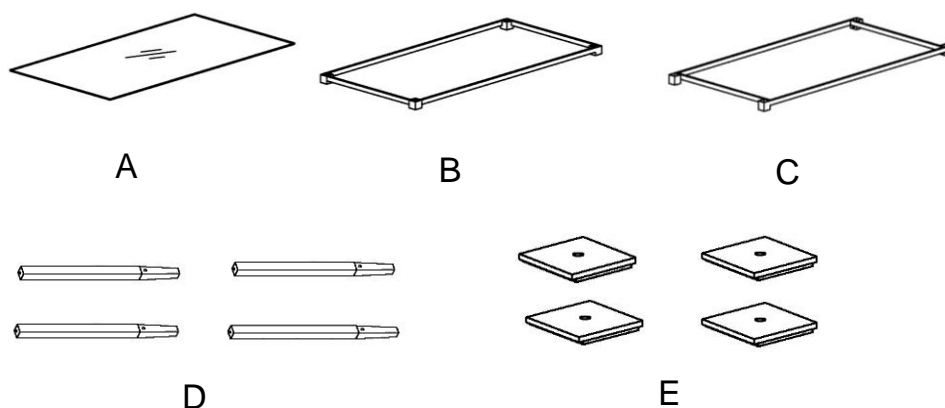
## Assembly Steps

### Overview



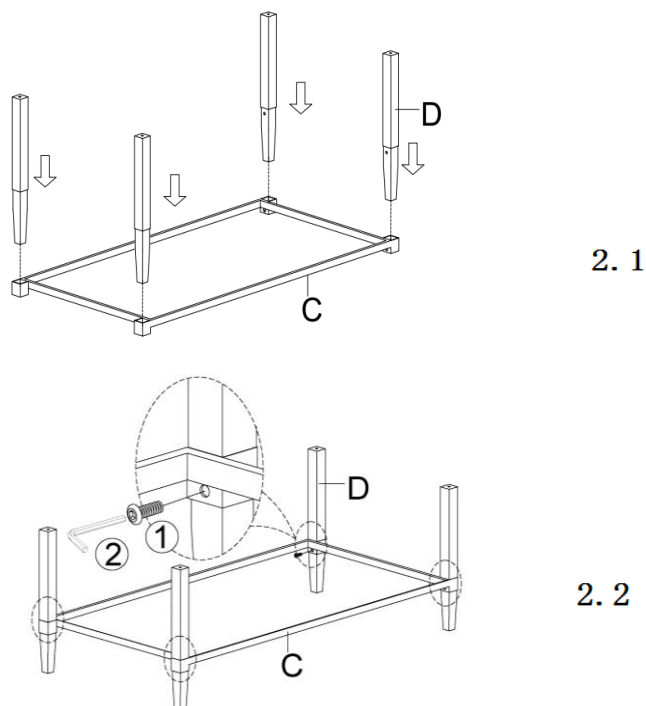
This Square end table has multiple parts and may require up to 30 minutes to assemble. To give you an overview of the Square end table, the above picture is to help you put the various parts into perspective. Please read through the instructions below to familiarise yourself with the parts and steps before assembly.

## Step 1



Place the Top glass(A), Top frame(B), Bottom frame(C), Legs(D) and Metal cap(E) on a clean, non-marring surface.

## Step 2

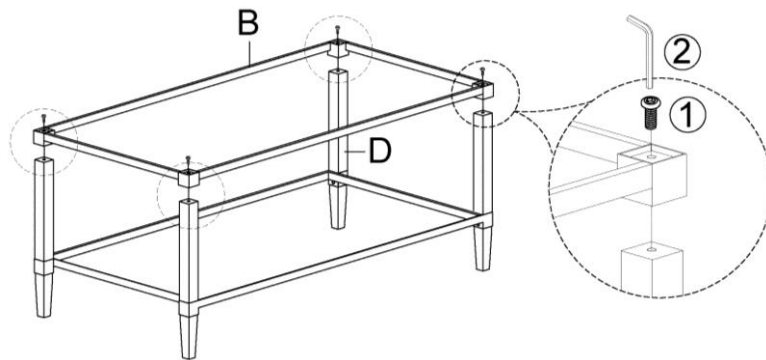


2.1) Insert the Leg(D) to the Bottom frame(C) as pictured above.

2.2) Insert the Leg(D) to the Bottom frame(C) using Bolts(①) with Allen Key(②) as shown in above picture.

**Tighten the Bolts fully in a sequential manner.**

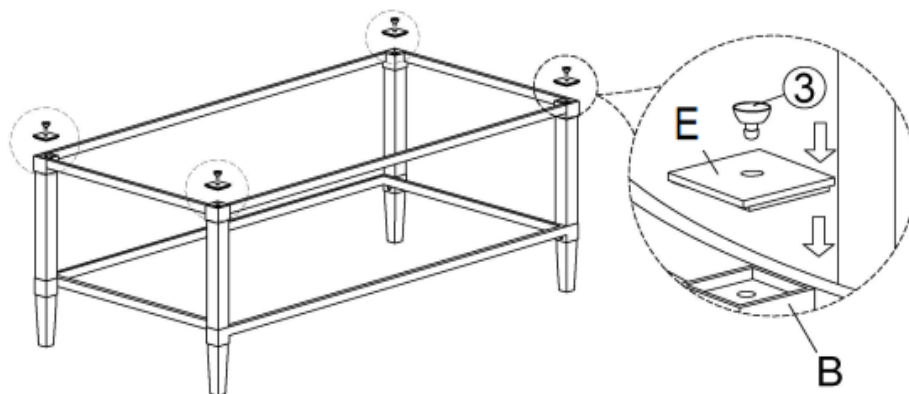
### Step 3



Attach Top frame(B) to Leg(D) using Bolts(①) with Allen Key(②) as shown in above picture.

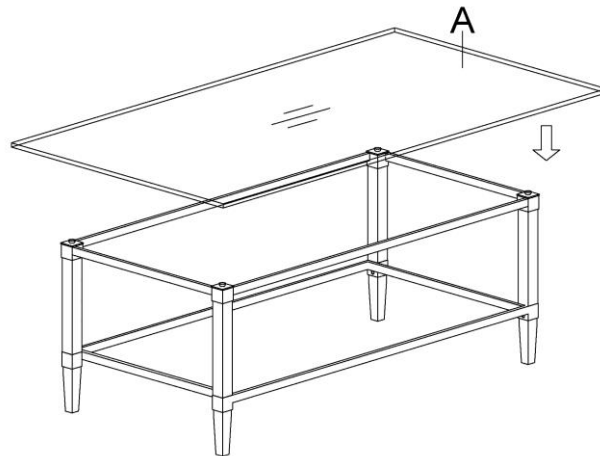
**Tighten the Bolts fully in a sequential manner.**

### Step 4



Put the Metal cap(E) to the Top frame(B), then insert the Antiskid Pad(③) to the Metal cap(E) as shown in above picture.

**Step 5**



Put the Top glass(A) to the Top frame(B) as shown in above picture.



















**Step 6**



Your Square end table ready for use.

**This Square end table can only be used on a flat, level surface.**

## Care & Maintenance

-   ● Do not put hot items directly on furniture surface
-   ● Do not clean furniture with harsh cleansers or polish.
-   ● Do not place furniture under direct sunlight.
-   ● Do not place furniture near heating or cooling vents.
-   ● Do not write on furniture without a padded barrier to protect the surface.
-   ● Do not place furniture outside . For indoor use only .
-   ● Not for commercial use. For residential use only .
-   ● Stains may be removed with mild soap solution and damp cloth.
-   ● Children should not climb or jump on the furniture.

-   ● Dust and pick-up spills using a clean, non-colored, lint-free cloth .

### What is Proposition 65?

Proposition 65 is a California law that requires warning labels on products that may contain one of more than 800-plus chemicals or ingredients that the California Office of Environmental Health Hazard Assessment (OEHHA) has deemed to cause cancer or other reproductive toxicity. Chemicals and elements on this list include wood dust, brass, and other everyday substances, which can be found in very common household items, such as: lamps, tableware, jewelry, crystal glasses, electric cords, beauty products, automobiles, and furniture.

### Why Did I Find a Proposition 65 Warning on My Home Goods Product?

We include Proposition 65 warnings on all of our products because there is always a chance that one of the 800-plus common chemicals and ingredients listed under this law could potentially be on our furniture or packing materials. We risk large fines under this law, if we don't include this warning.

### Should I worry?

We realize you may be worried finding this warning on our products, but we want to reassure you that the hazardous exposure limits for any of these chemicals have never been found on furniture products that we've shipped to our customers. Additionally, this warning label is very common and can be found on almost every piece of furniture sold in the state of California.

### Just How Common Are Proposition 65 Warnings?

Proposition 65 warnings have become so common in California that it is hard to take a trip to a local bank, grocery store, or restaurant without finding at least one warning. In fact, even the Disney Land Resort has a Proposition 65 warning:

