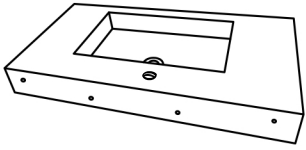


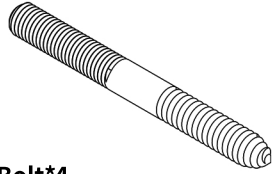
Basin installation Instructions

Model: FS140-900 (LTK)

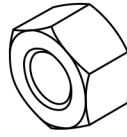
Components:



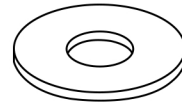
Basin*1



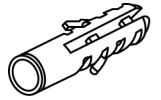
Bolt*4



Nut*4

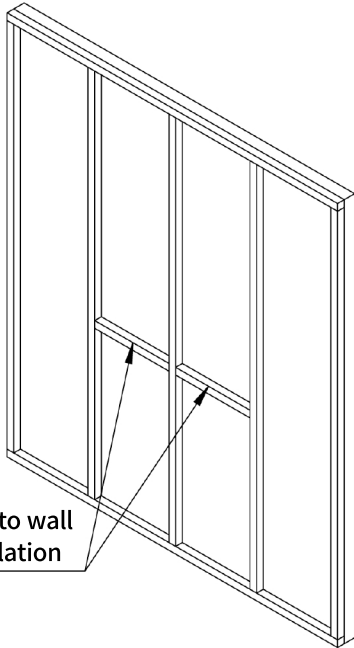


Metal Washer*4



Expansion screw plastic*4

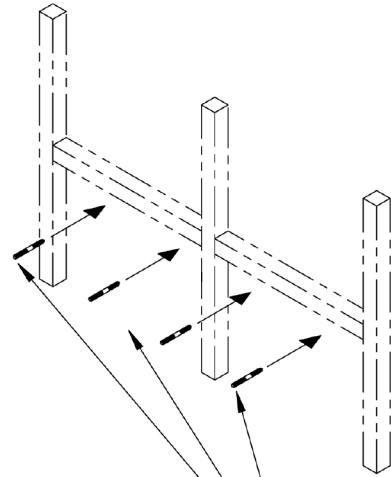
<1>



Add battens to wall before installation

Note: Product can be mounted on both concrete or timber-framed walls.

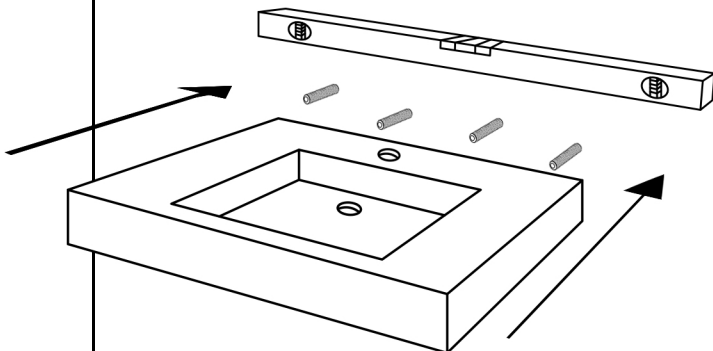
<2>



Add bolts to plasterboard

! Important! Before installing, ensure there is sufficient timber framing in the wall to securely fasten your basin to.

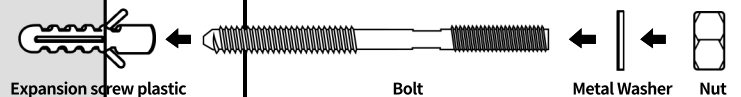
<3>



Before fixing the basin in place, ensure that the basin is sitting level.

<4>

Basin(side)



Expansion screw plastic

Bolt

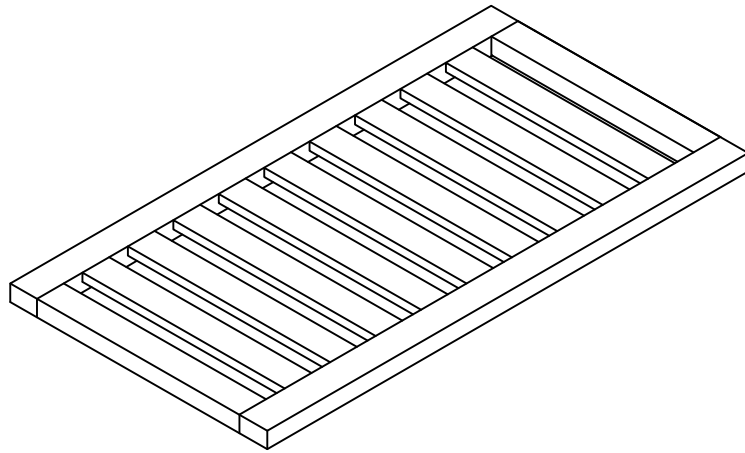
Metal Washer

Nut

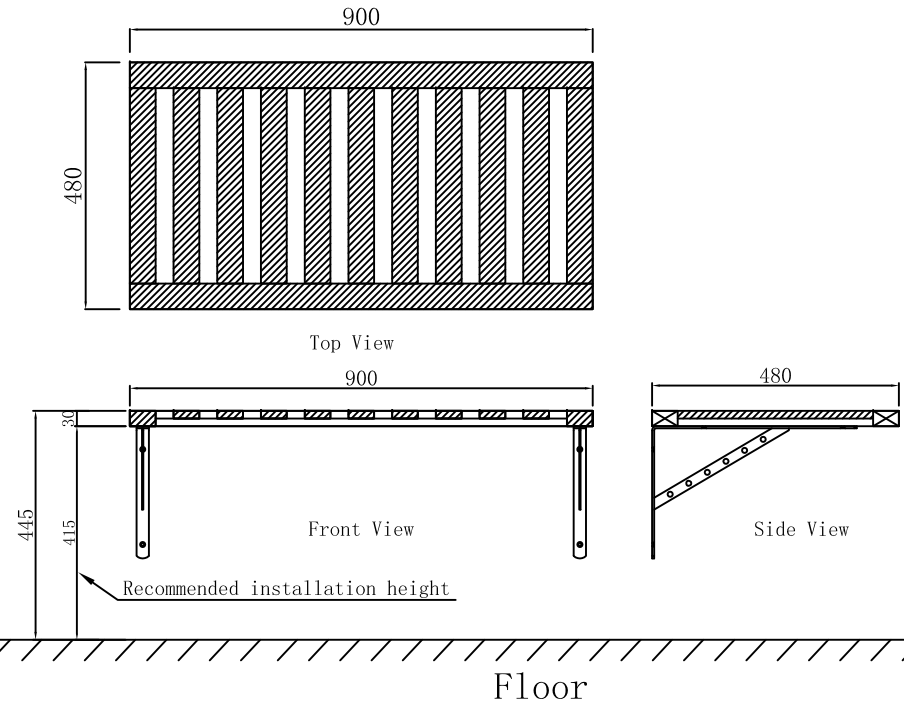
Screw a metal nut onto each fixing bolt to secure the basin.
Caution: do not over tighten as this may damage the basin/top.

Assembly Instruction

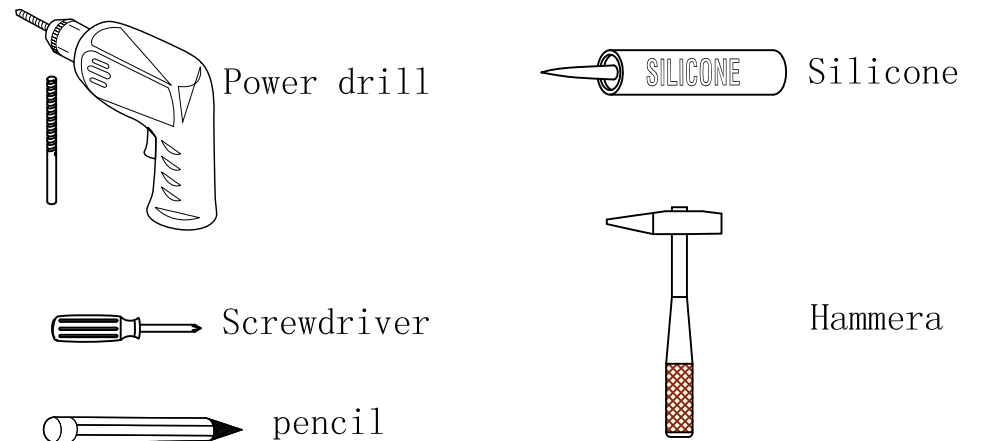
Item No. :CB-900






Dimensions

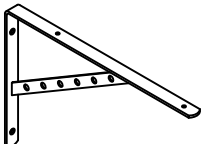


Recommended tools You Will Need-Outils Requis



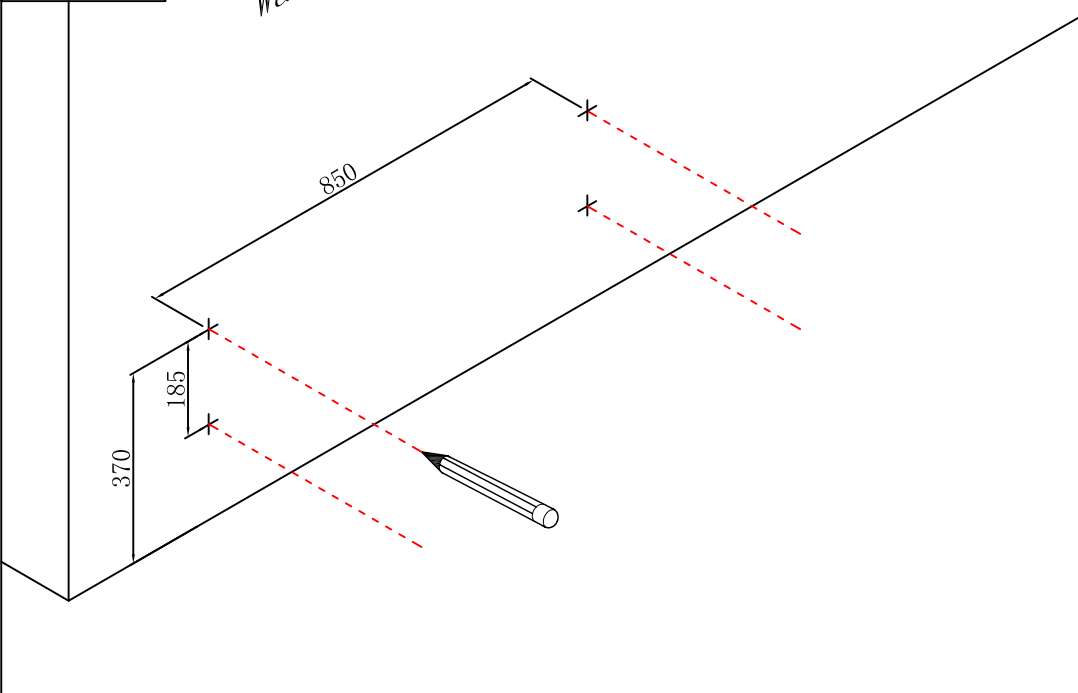
Part List

NO.	Draw	QTY
A	 Plastic anchor (Ø10mm)	4
B	 Screws for fix on the wall	4
C	 Screws M4x12mm	4

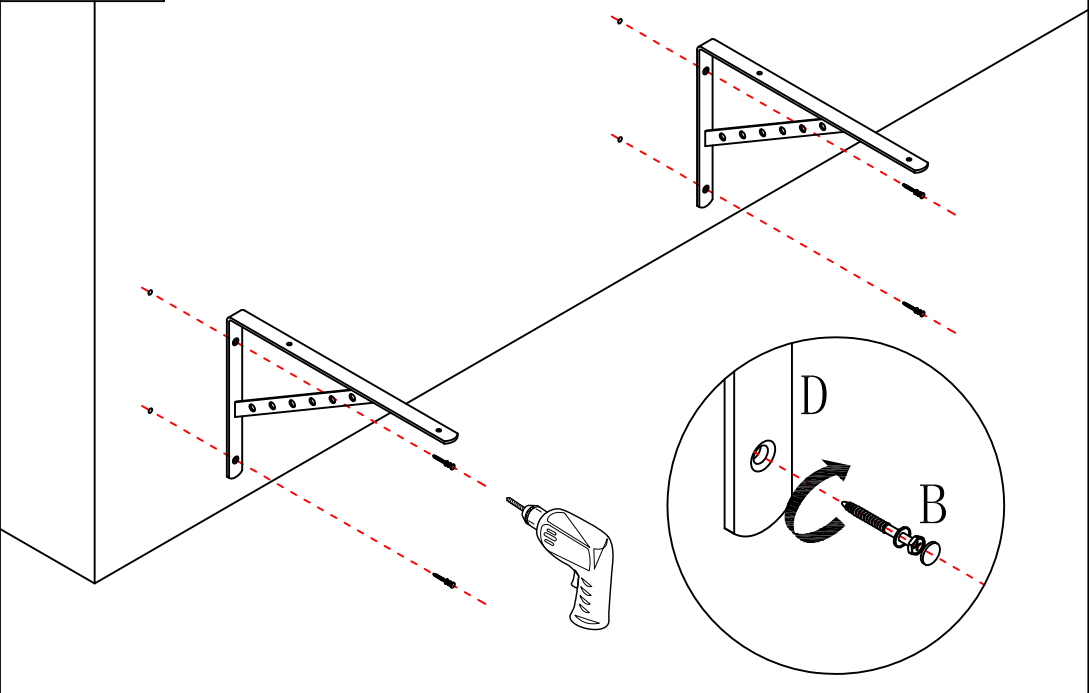
NO.	Draw	QTY
D	 Stainless steel tripod	2

Step 1

Wall

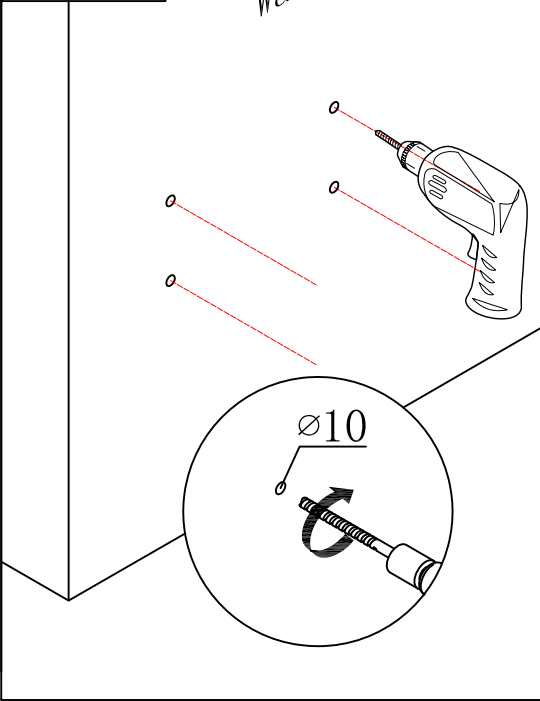


Step 4

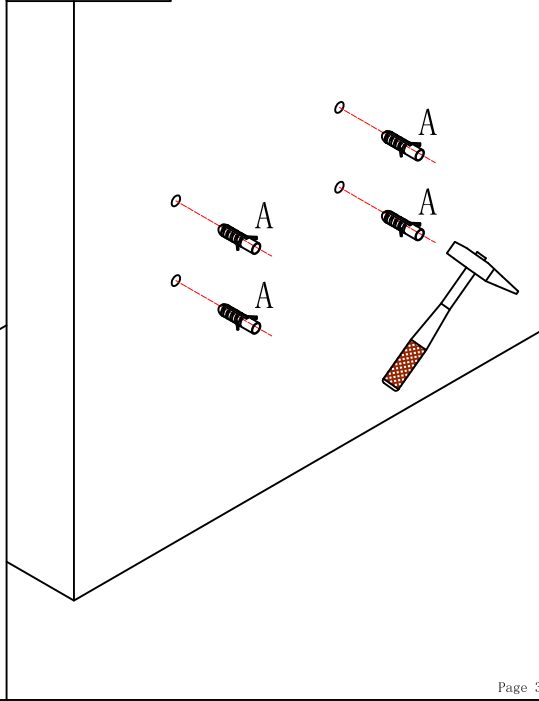


Step 2

Wall



Step 3



Step 5

