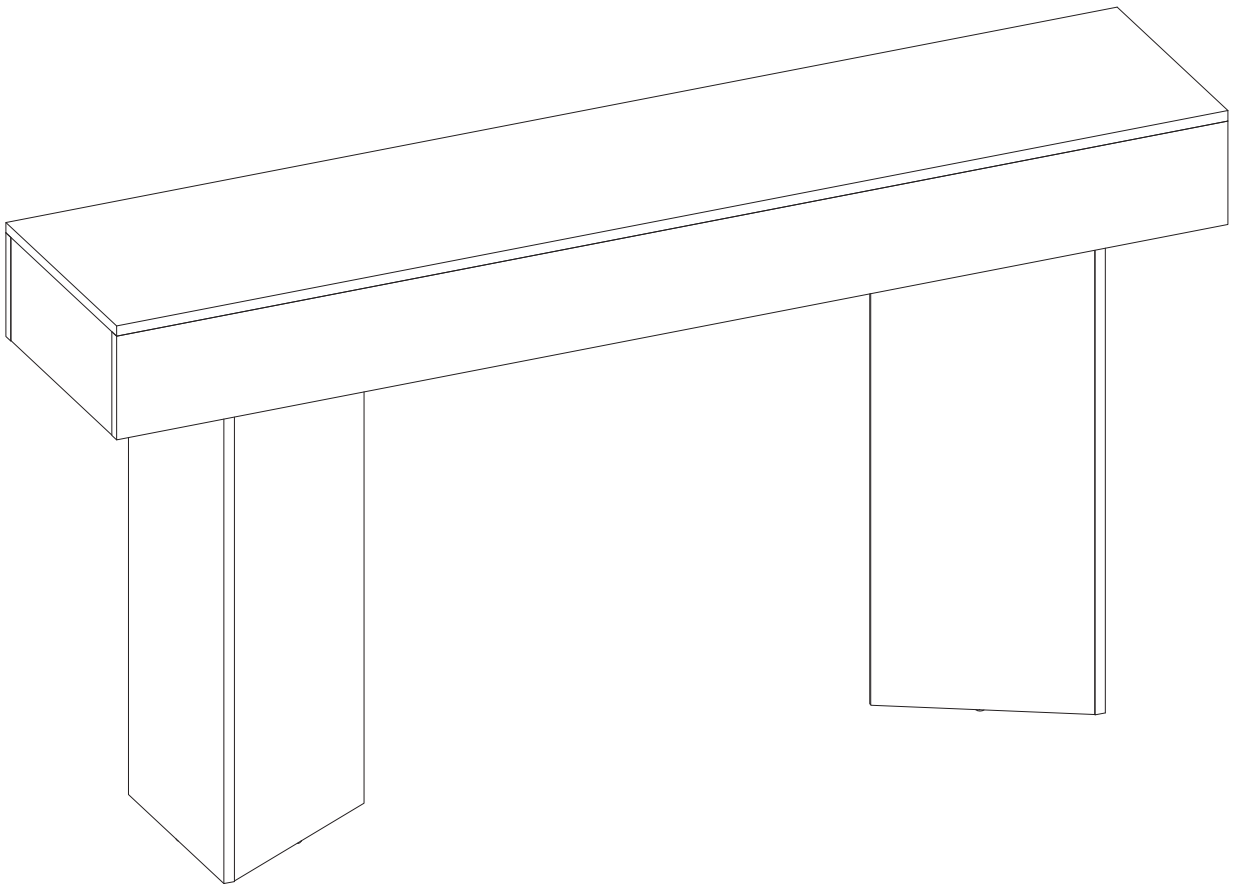


Assembly Instructions

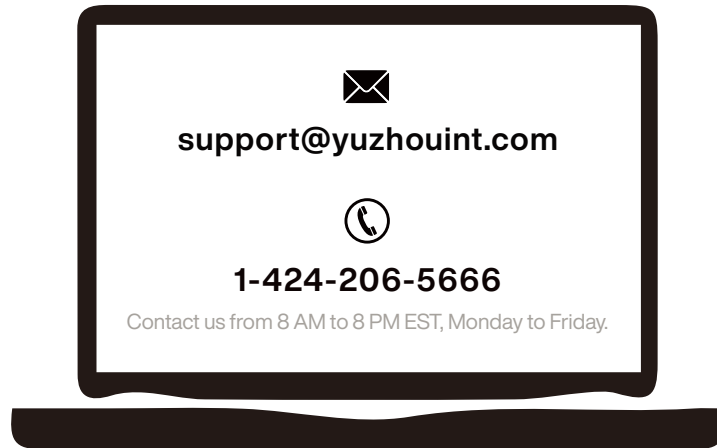


Console Table

Model No.
HOGA-J0370

Contact Us

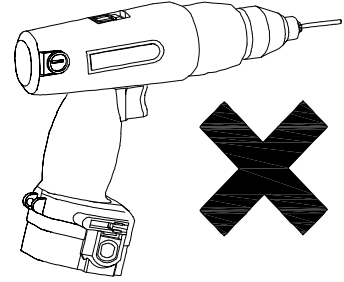
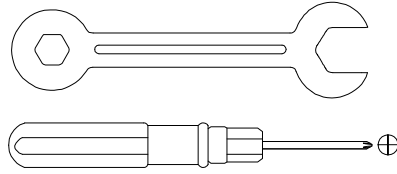
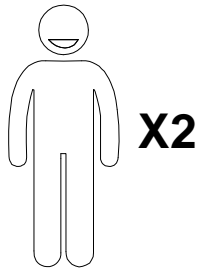
We're here to help you.



Your satisfaction is our top priority. If you encounter any issues with this product, such as missing or damaged parts, we're here to help. Please retain the original packaging and take photos of the packaging and the product, then contact us as soon as possible.

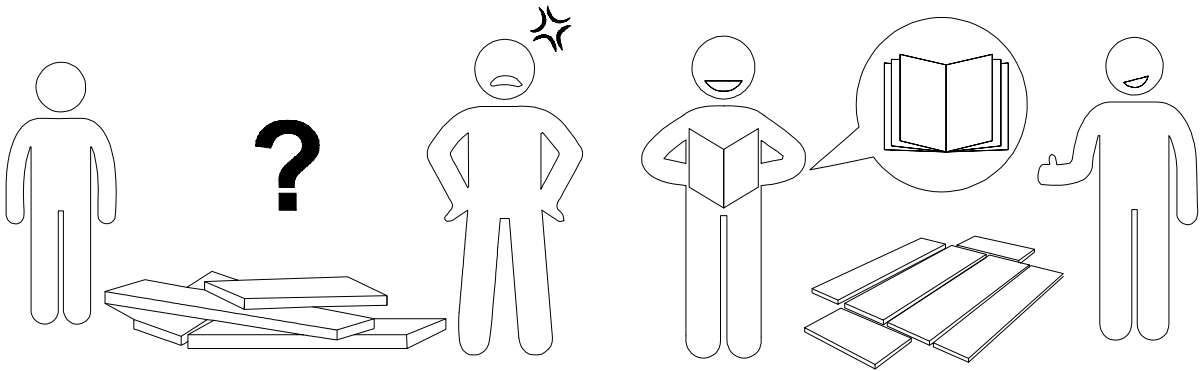
Warm Tips

1. Carefully read these instructions and keep them for future reference.
2. Check the parts list and confirm everything's there before starting assembly.
3. When assembling, put all parts on a soft, smooth surface like a carpet to avoid scratches.
4. Don't fully tighten screws until all parts are confirmed in place to avoid misalignment.



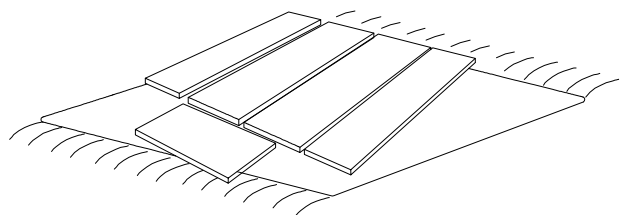
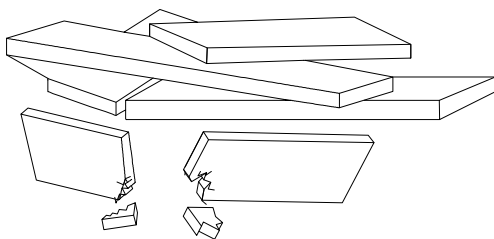
We recommend using hand tools for assembly.

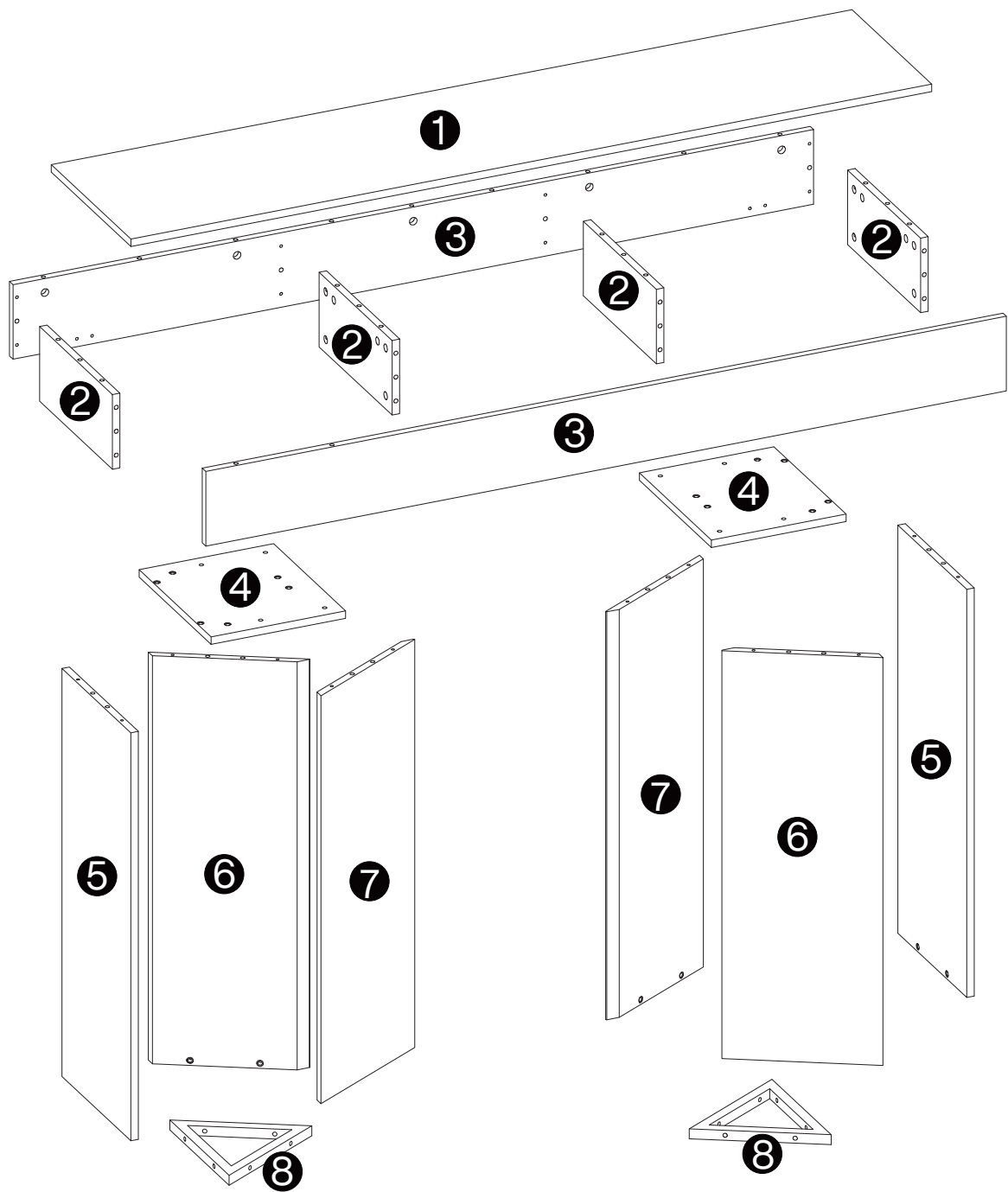
If an electric screwdriver is used, reduce power and torque to avoid damage to the product.



AVOID SCRATCHES

In order to avoid scratching, this furniture should be assembled on a soft surface, such as a rug.

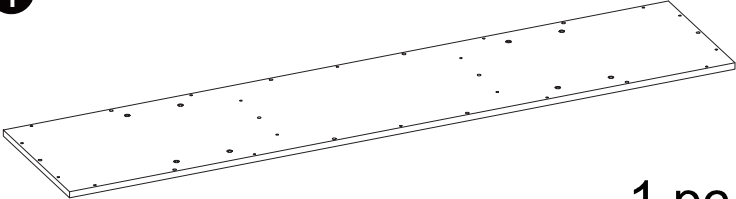
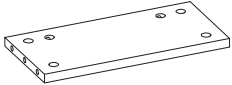
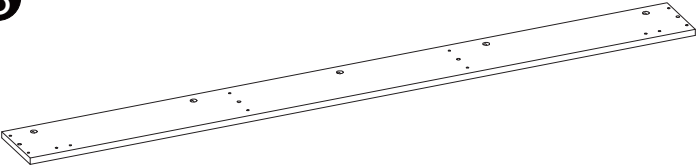
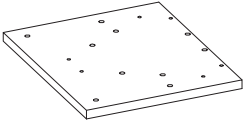
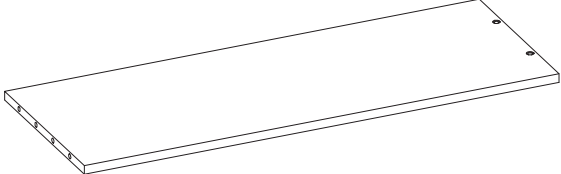
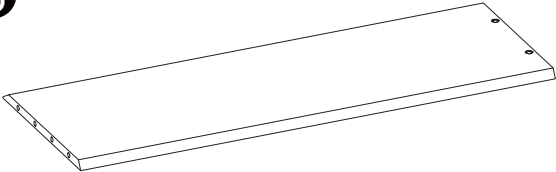
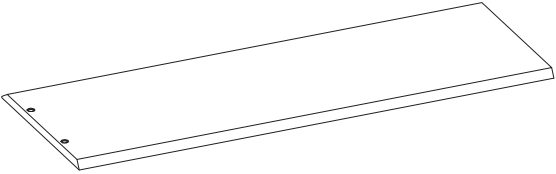
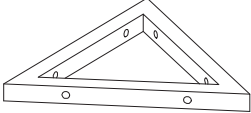




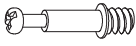
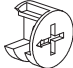


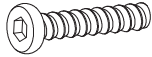

⚠ Caution

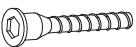

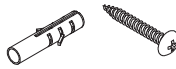
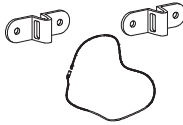

Make sure all parts are included. Most board parts are labeled or stamped on the raw edge. Contact us for a free replacement if you encounter any damaged or missing parts.

Parts List

<p>1</p>  <p>1 pc</p>	<p>2</p>  <p>4 pcs</p>
<p>3</p>  <p>2 pcs</p>	<p>4</p>  <p>2 pcs</p>
<p>5</p>  <p>2 pcs</p>	<p>6</p>  <p>2 pcs</p>
<p>7</p>  <p>2 pcs</p>	<p>8</p>  <p>2 pcs</p>

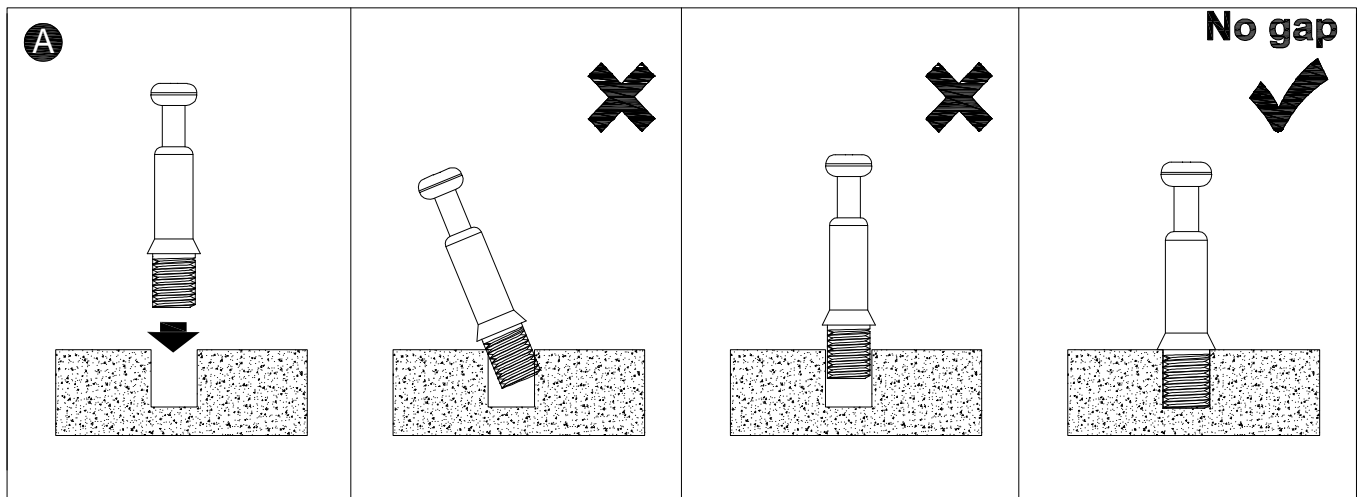
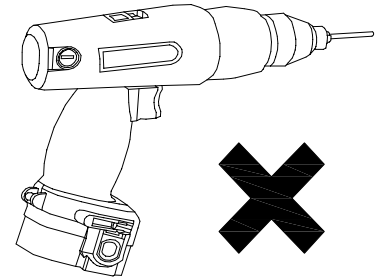
Hardware List

A	B	C	D	E	F
					
M6x35mm	φ15x12mm	φ8x30mm	M6x25mm	M6x30mm	φ20mm
34 pcs	34 pcs	32 pcs	8 pcs	12 pcs	34 pcs

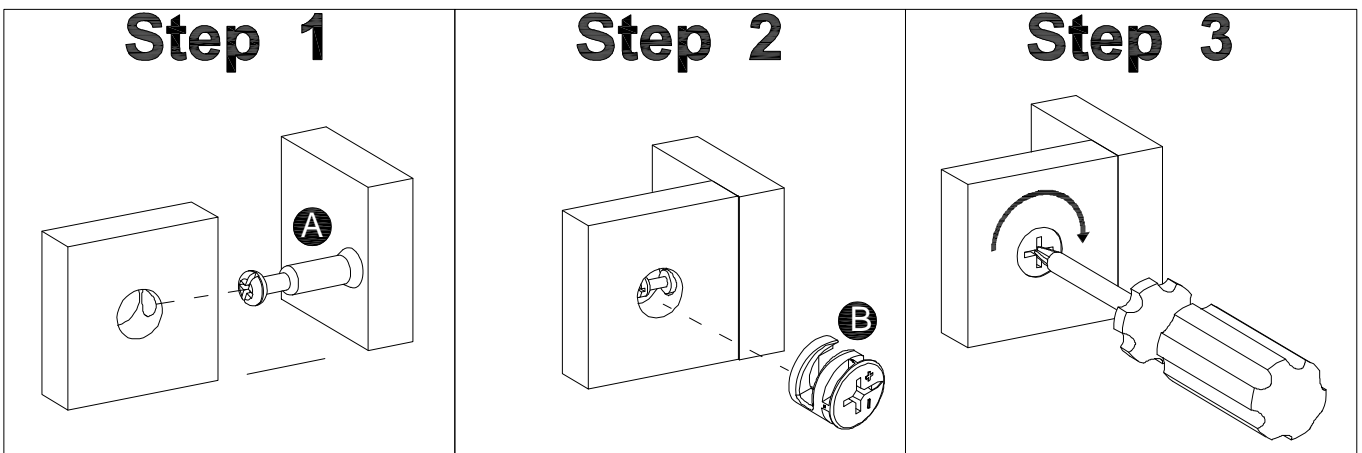
G	H	I	J	K
				
M7x40mm	M3.5x14mm	M4x35mm		M4
12 pcs	4 pcs	4 pcs	2 pcs	1 pc

Installation of Cams and Pins

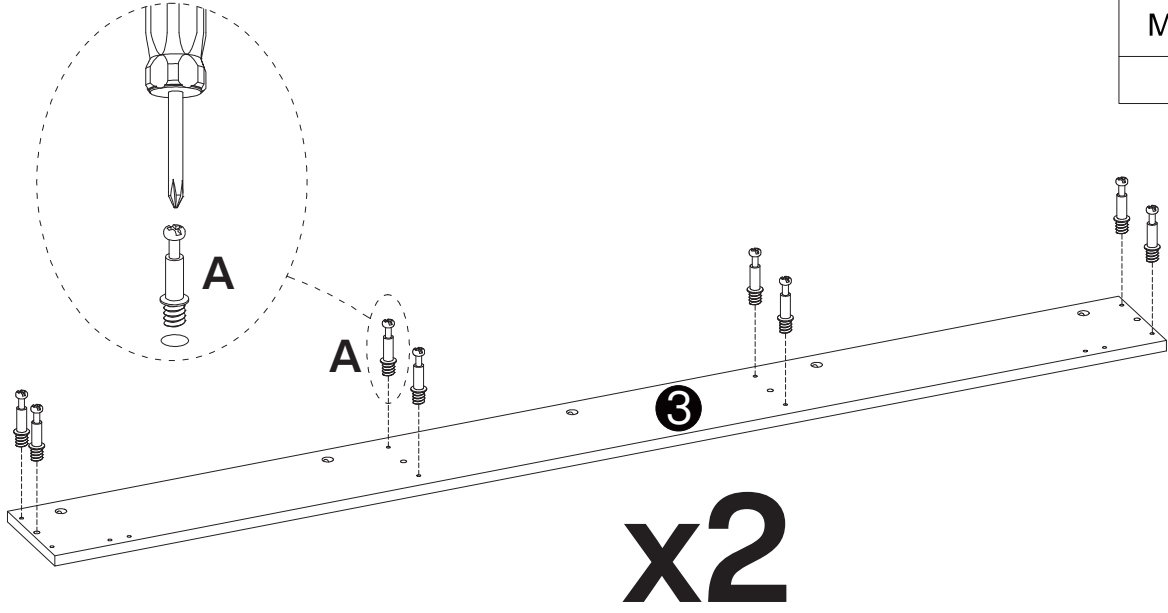
Read each step carefully before starting. Each step of instruction should be performed in the correct order. If these steps are not followed in sequence, assembly difficulties may occur.

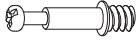


Screw the pin into the hole. Set the cams correctly by aligning the head of the cams with the lock pins. Lock the cam by turning the cam head with a screwdriver until it is tightened. Please do not use an electric screwdriver to assemble the unit.

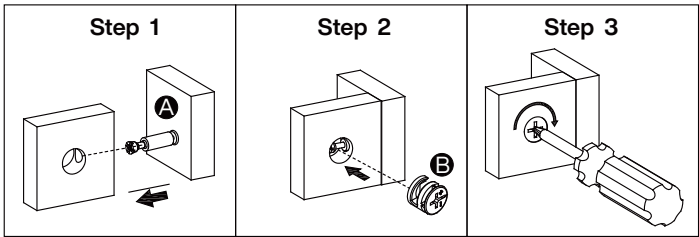




1

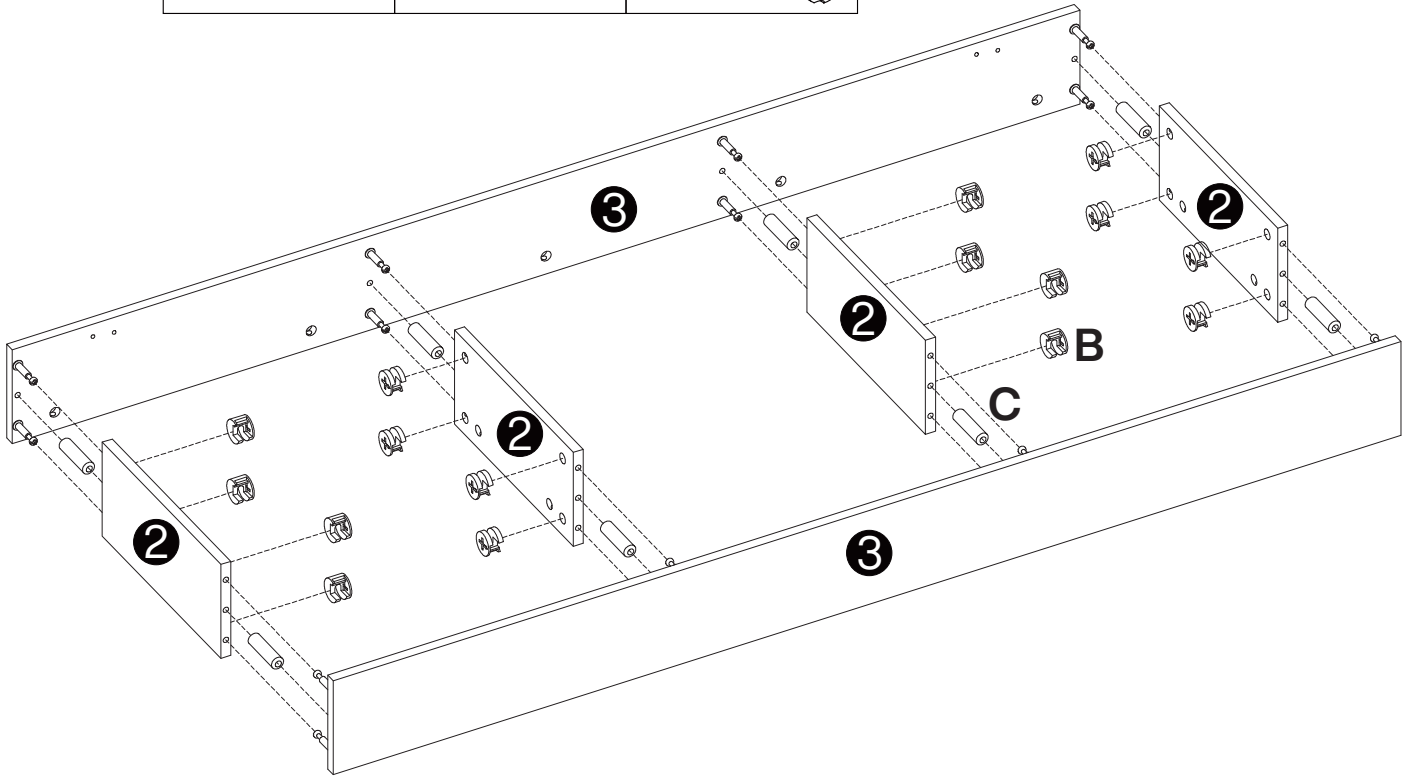


A
 M6x35mm
16 pcs

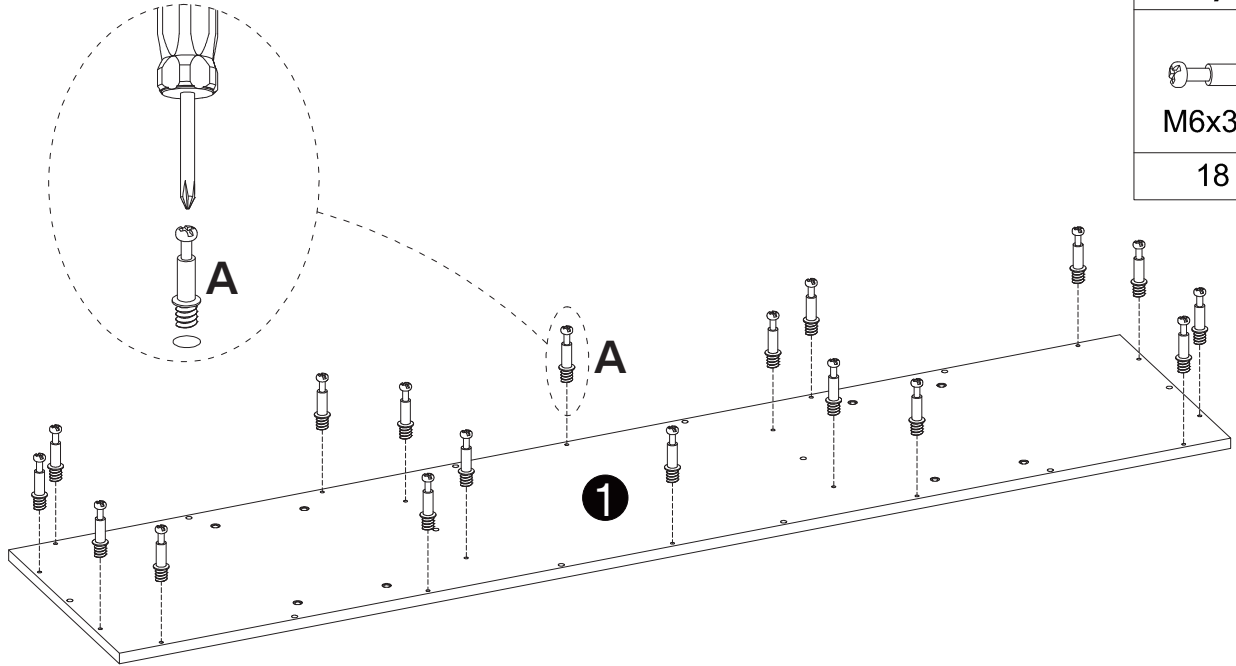
2

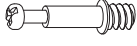


B	C
 Ø15x12mm	 Ø8x30mm
16 pcs	8 pcs

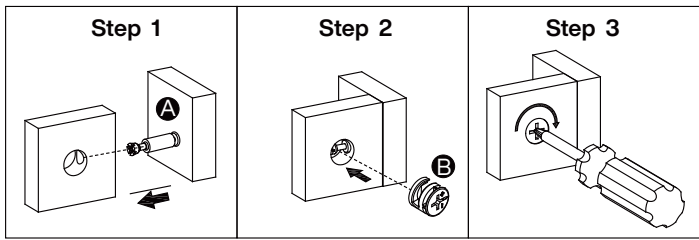



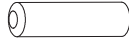
3

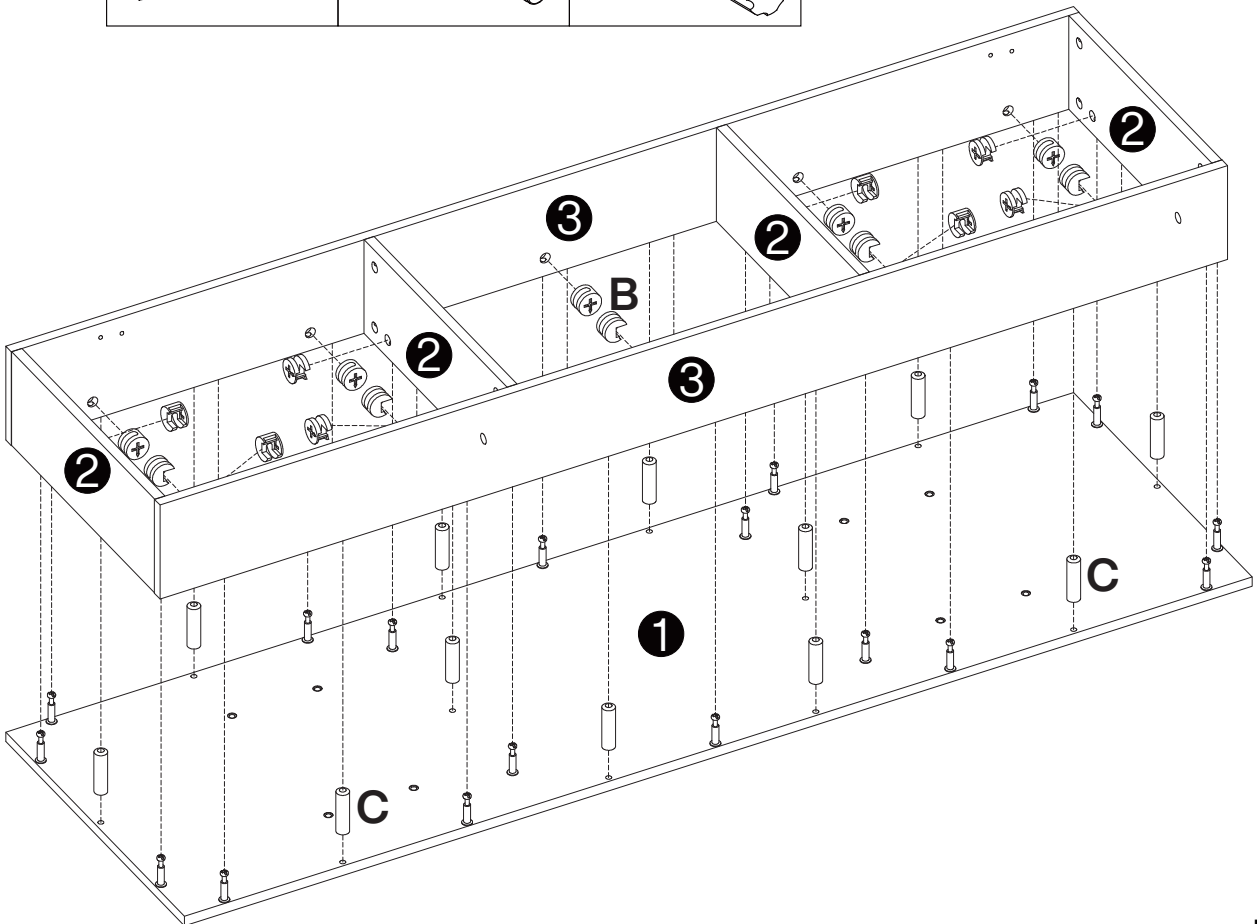


A
 M6x35mm
18 pcs

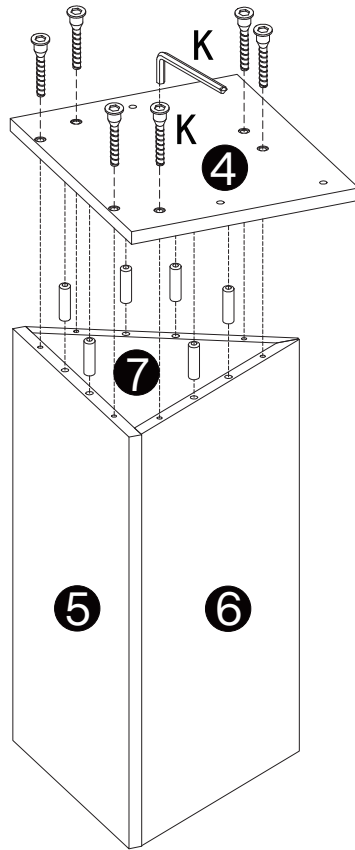
4





B	C
 Ø15x12mm	 Ø8x30mm
18 pcs	12 pcs



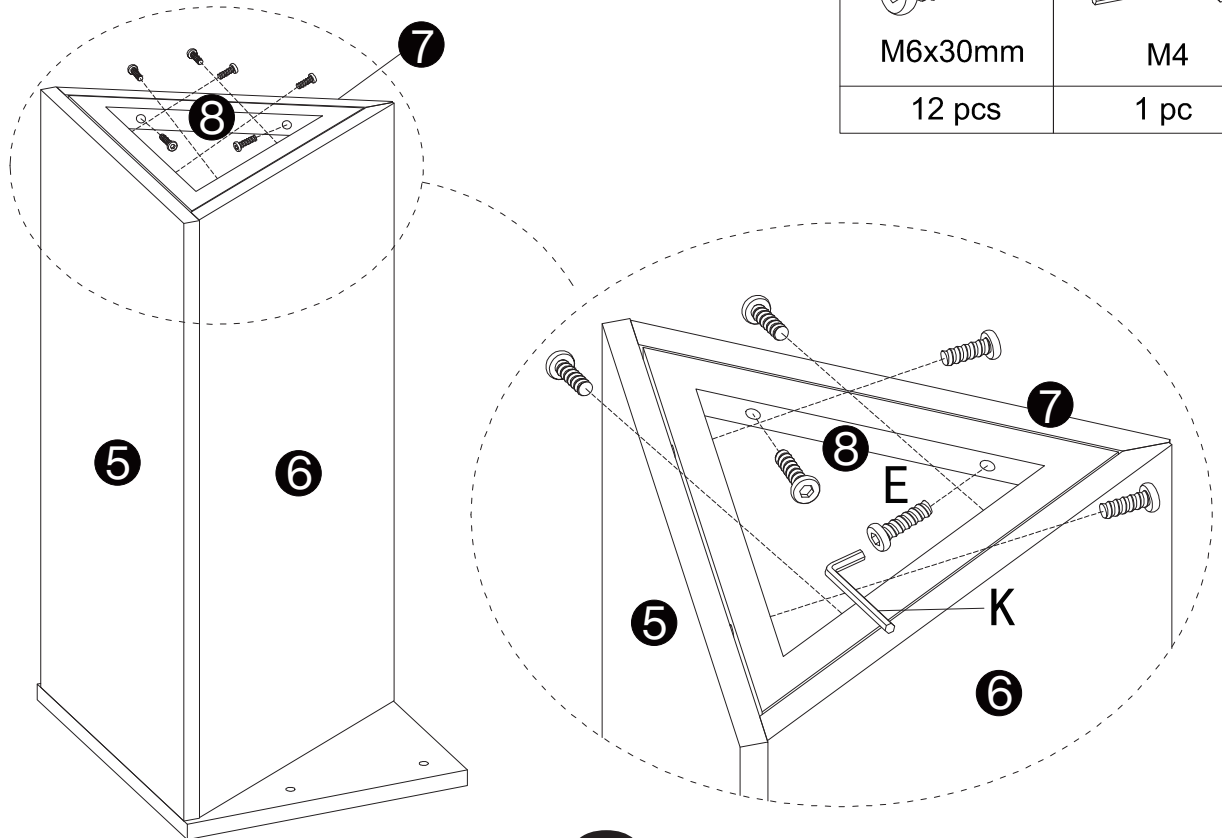
5





G	C
	
M7x40mm	∅8x30mm
12 pcs	12 pcs

x2



6

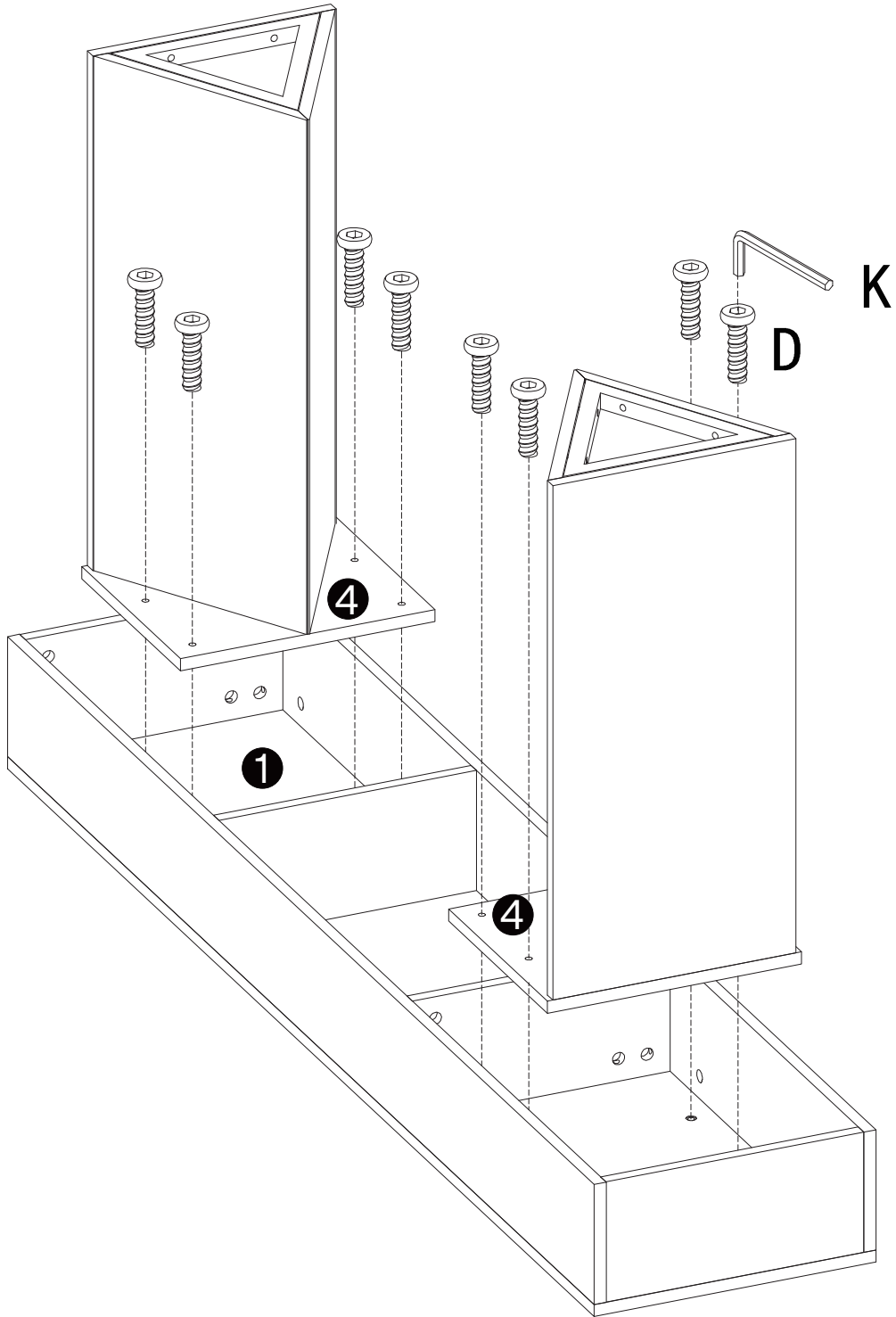


E	K
	
M6x30mm	M4
12 pcs	1 pc

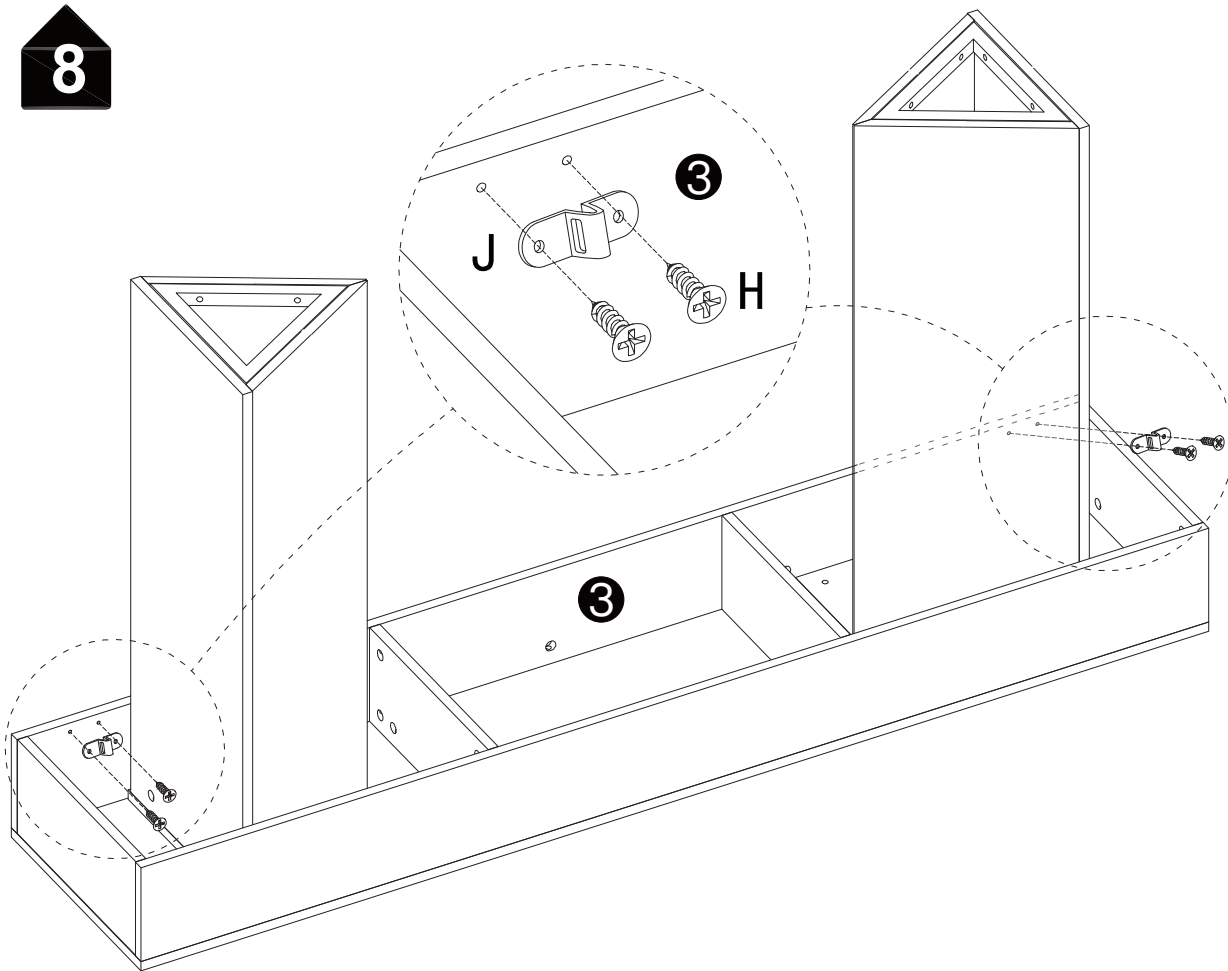
x2



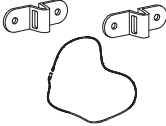
7

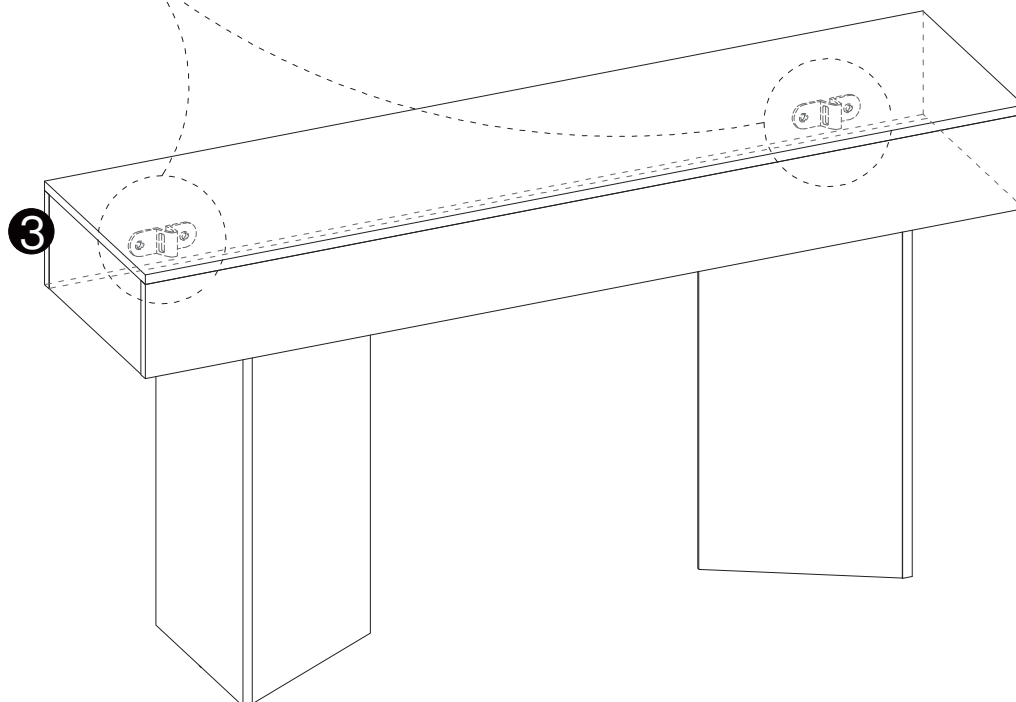
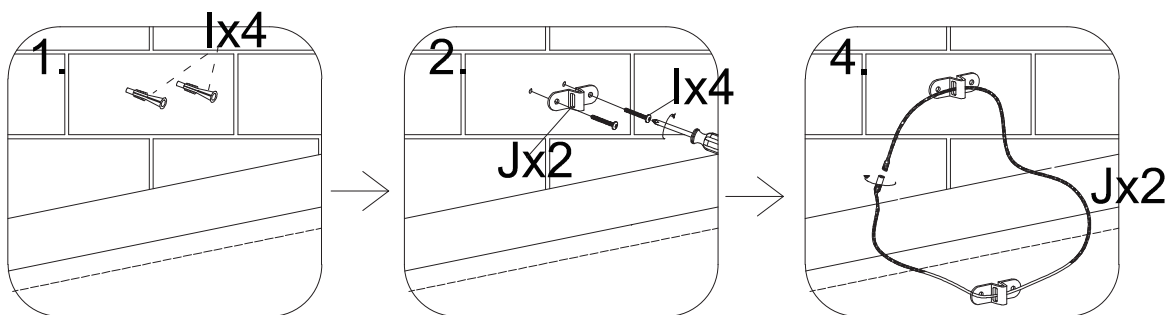
D	K
	
M6x25mm	M4
8 pcs	1 pc



8



H

M3.5x14mm
4 pcs
I

M4x35mm
4 pcs
J

2 pcs



Thank you for your support!

