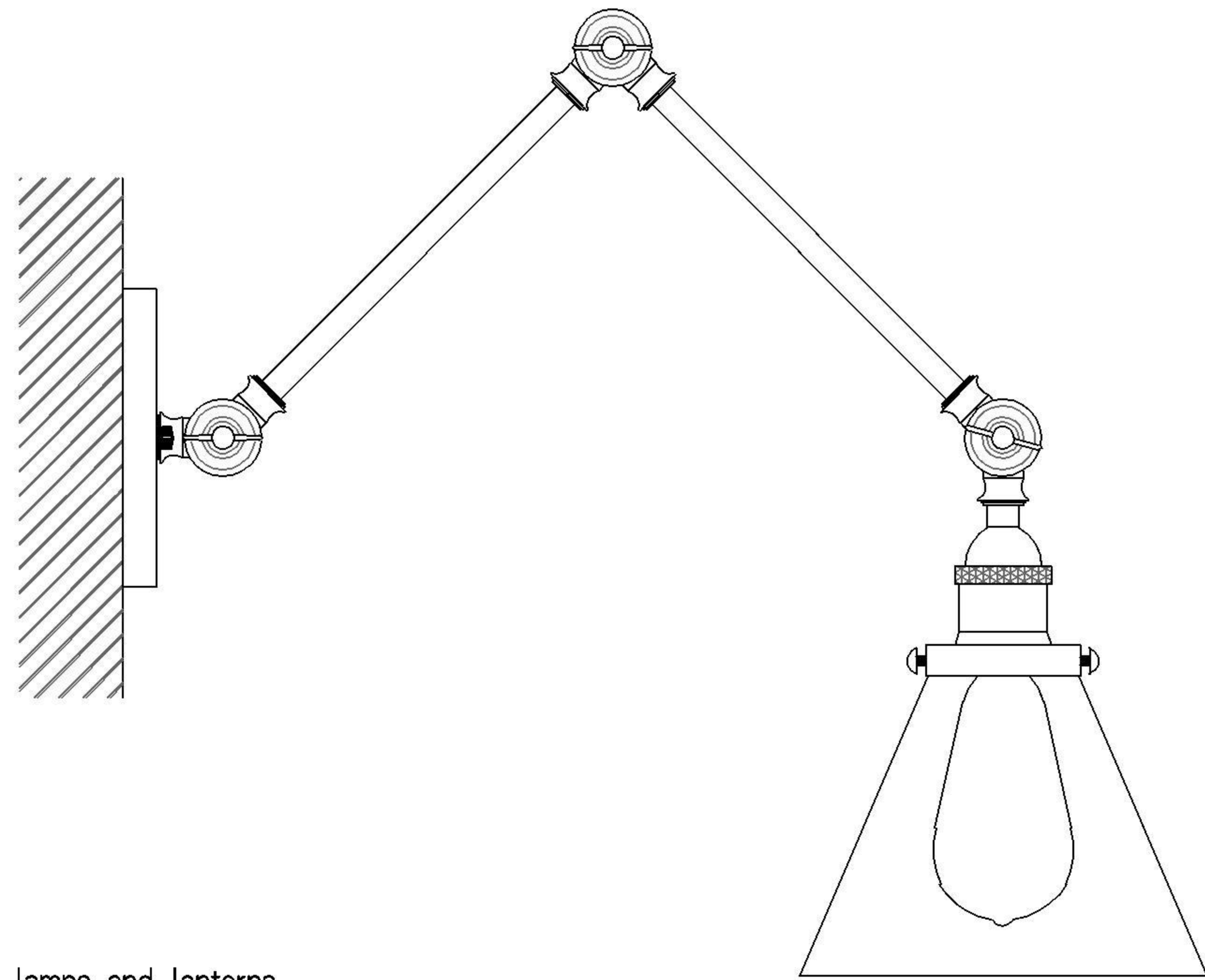


# Assembly Instruction Sheet for Model HL421341



The overall effect of lamps and lanterns

The installation steps :

- ① Mark the location on the wall with the hanging plate as a reference, and then drill holes on the wall (Figure 1);
- ② Push the plastic adhesive expanding bolt into the hole (Figure 2);
- ③ After aligning the hanging plate with the expanding bolt, place the gasket and tighten the screws (Figure 3);
- ④ Connect lamp arm and the chassis in series with the lamp cap (with line), and put the wire in a smaller angle (Figure 4);
- ⑤ Connect the wires with the wiring connectors and then secure the chassis (Figure 5);
- ⑥ Lock the lamp cover together with the lamp cap with camping ring (Figure 6);
- ⑦ Install the bulb after adjusting the lamp to the desired angle (E27).

Note : if the wall is not reserved with the ground wire, the lamp does not need ground wire.

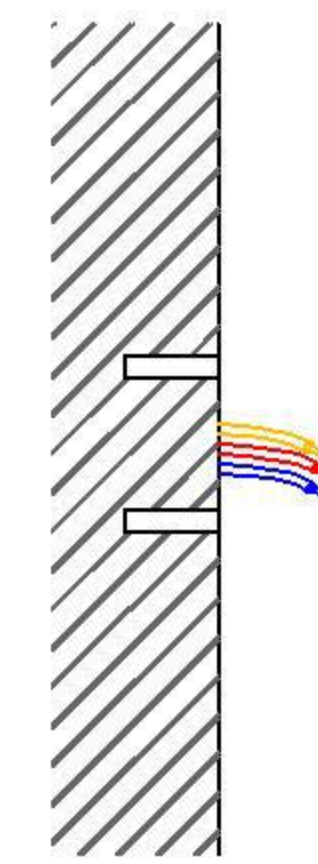


Figure one(top-view)

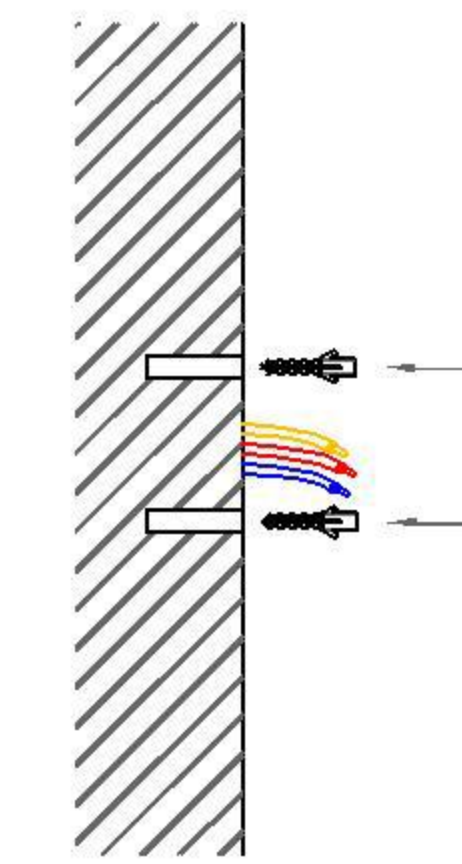


Figure two(top-view)

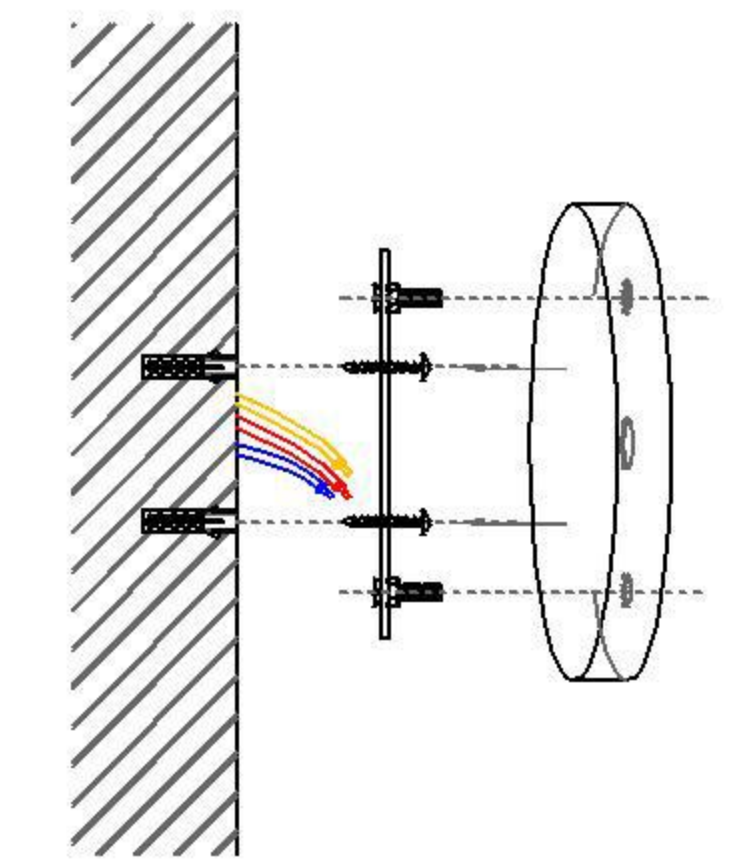


Figure three(top-view)

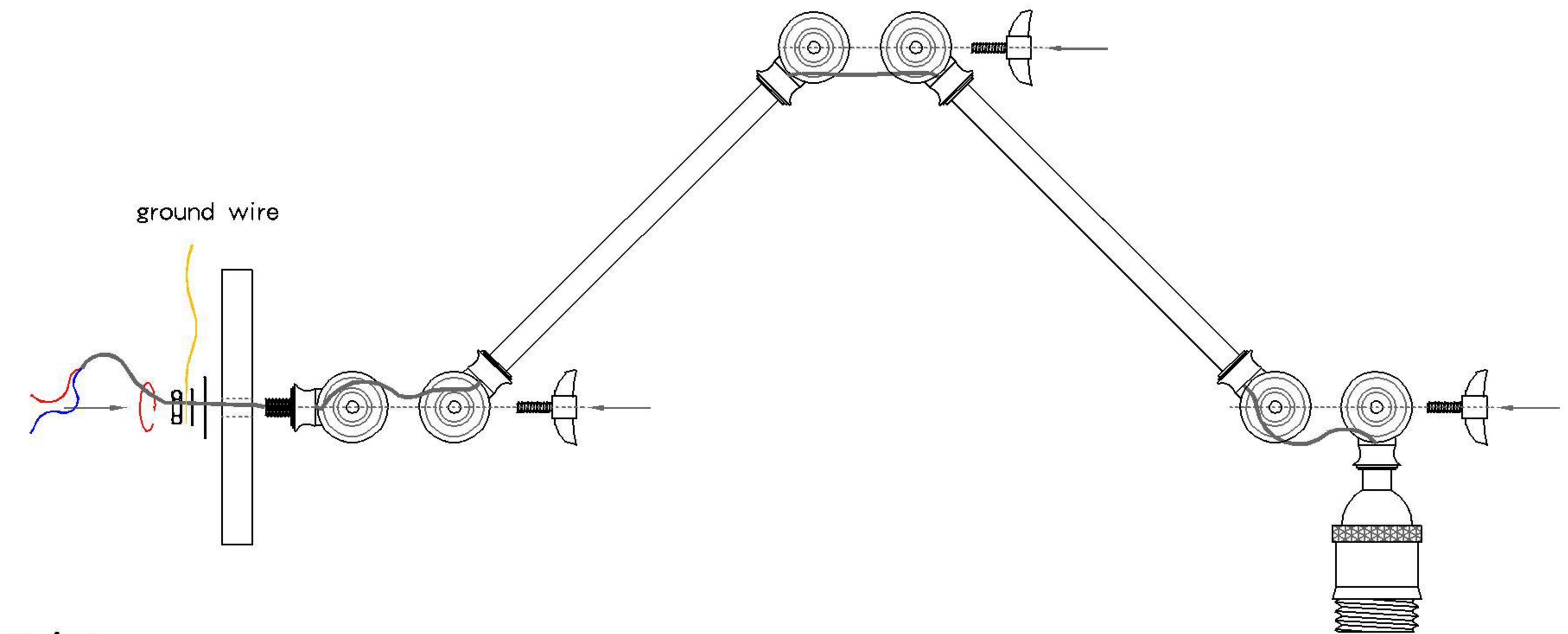


Figure four

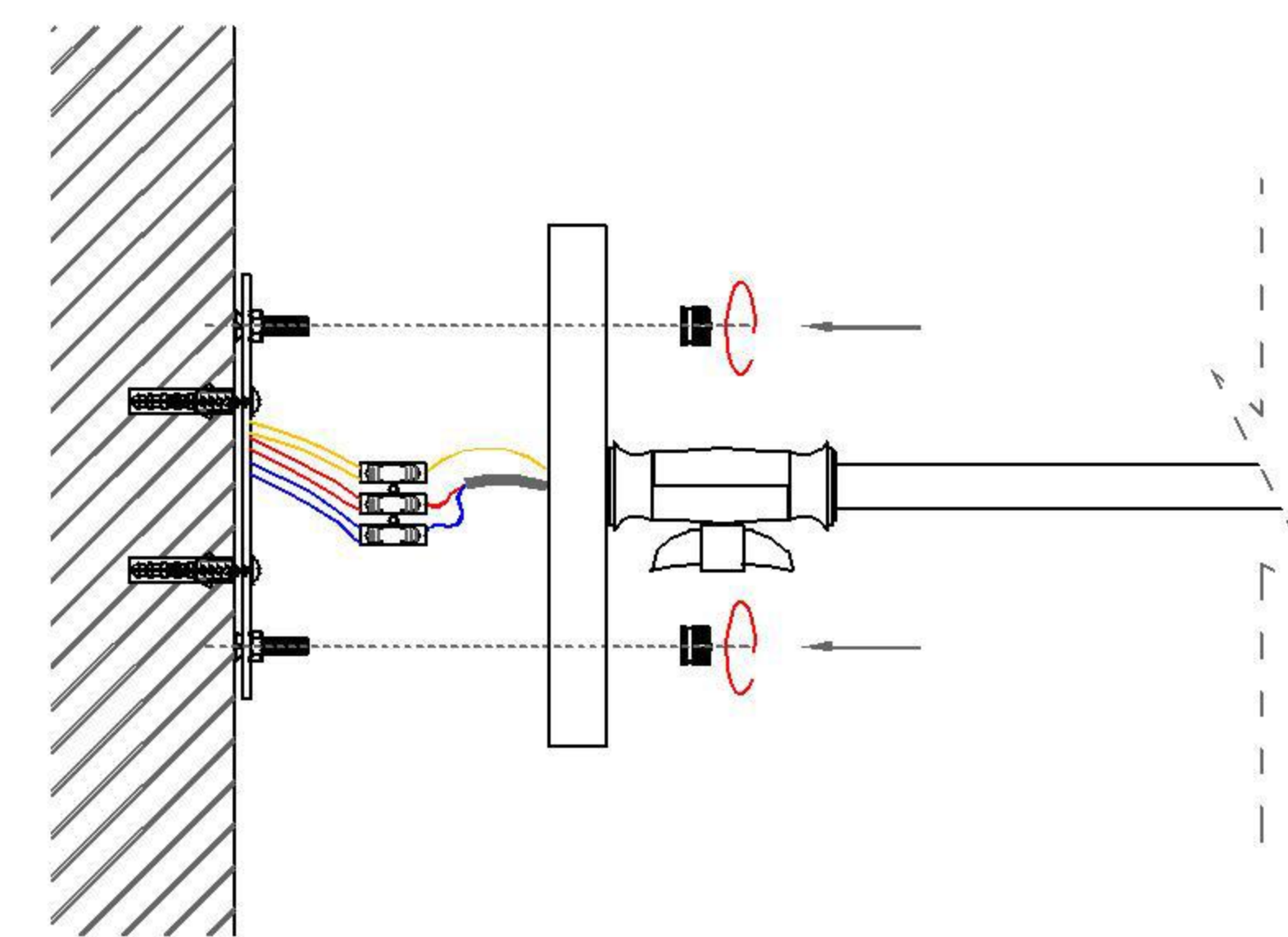


Figure five(top-view)

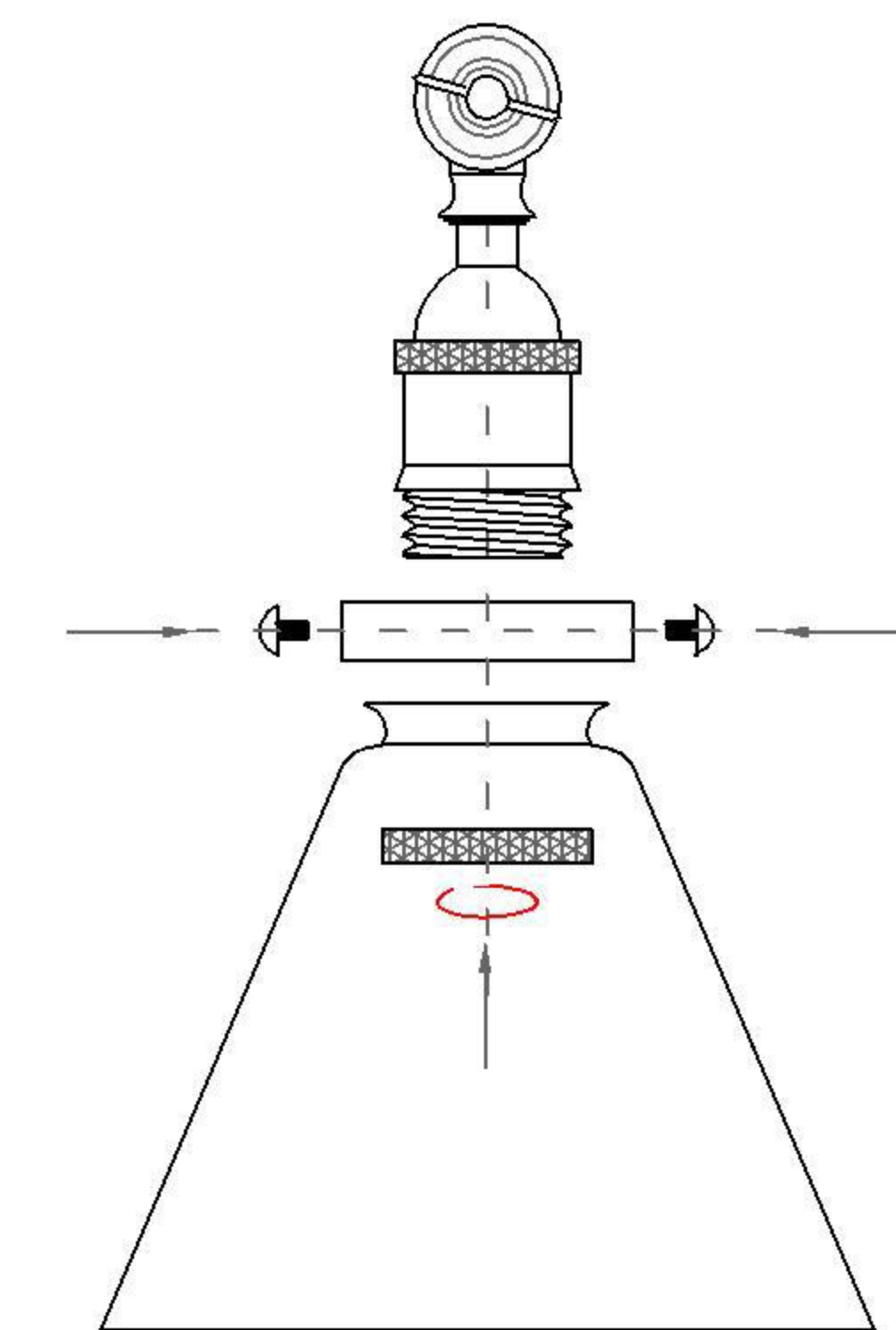


Figure six