


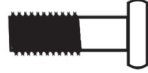




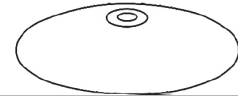





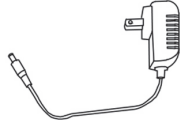

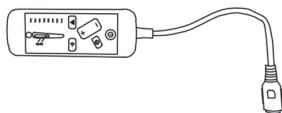
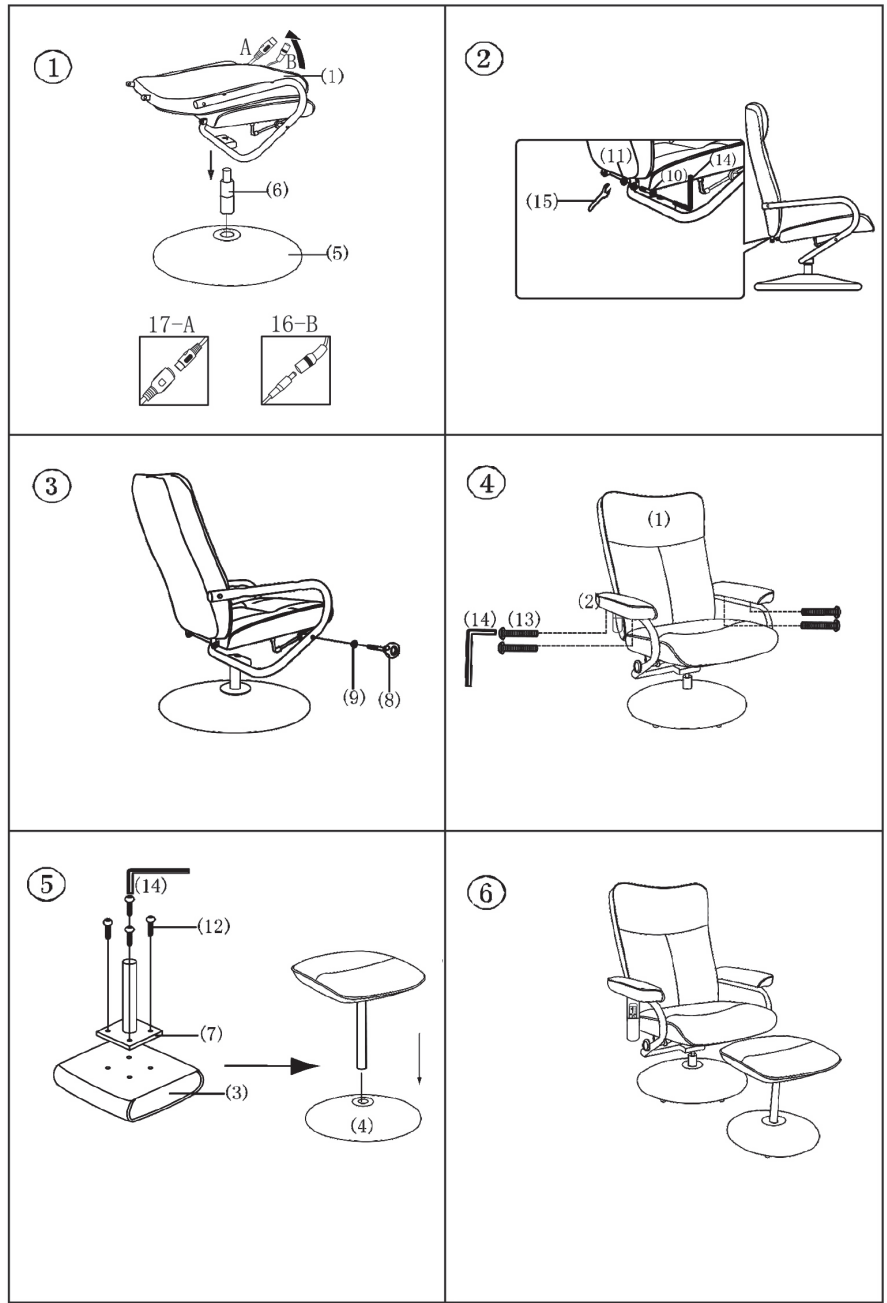




## Before You Start

- ⚠ Please read all instructions carefully.
- ⚠ Retain instructions for future reference.
- ⚠ Separate and count all parts and hardware.
- ⚠ Read through each step carefully and follow the proper order.
- ⚠ We recommend that, where possible, all items are assembled near to the area in which they will be placed in use, to avoid moving the product unnecessarily once assembled.
- ⚠ Always place the product on a flat, steady and stable surface.
- ⚠ Keep all small parts and packaging materials for this product away from babies and children as they potentially pose a serious choking hazard.

(1) x1 	(9) x1 	
(2) x1R x1L 	(10) x2  M8*25MM	
(3) x1 	(11) x2  M8	
(4) x1 	(12) x4  M6*16MM	
(5) x1 	(13) x4  M6*40MM	
(6) x1 	(14) x1  M5	(15) x1  13M
(7) x1 	(16) x1 	
(8) x1 	(17) x1 	



READ ALL INSTRUCTIONS  
BEFORE USING THE ITEM

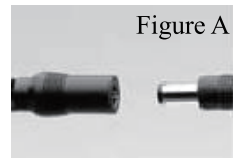


**PRODUCT FEATURE**

- 4 Vibration Motors
- 8 Massaging modes
- Adjustable intensity
- Three massage zones, each zone can be operated individually
- The default timing is 15 min

**HOW TO USE**

- 1、 Insert adapter jack into the socket found on back of the massage cushion, then plug the adapter into a wall outlet(see Figure A)



- 2、 Turn the unit ON by pressing the POWER button once, The LED will illuminate when power is on.
- 3、 Turn on the massage in each zone by pressing the Massage zone. LEDs will illuminate when each zone is activated. To turn off a zone, press the button again.
- 4、 To choose a desired massage mode, press the MODE button. To change modes, press MODE button until LED for desired mode illuminates
- 5、 To change the massage intensity press the INTENSITY button. The LED for HIGH or LOW intensities will illuminate when chosen.  
NOTE: Discontinue use immediately if you feel any discomfort or pain.
- 6、 NOTE: for your benefit, the massage chair is equipped with an auto shut-off feature that will turn the chair unit off after 30 minutes of continuous use.
- 7、 DO NOT use for more than 30 minutes of continuous use.

#### IMPORTANT SAFETY INSTRUCTIONS

When using an electrical appliance, basic precautions should always be followed, including the following:

- 1、 This product is for use on a 12V circuit. Make sure that the product is connected to an outlet having the same configuration as the plug.
- 2、 Always unplug the massager from the power source after use, and before cleaning.
- 3、 Do not reach for massager if it has fallen into water. Unplug immediately.

- 4、 An appliance should never be left unattended when plugged in. Unplug from outlet when not in use, before putting on or taking off parts or attachments.
- 5、 Do not use outdoors.
- 6、 Do not carry this appliance by supplied cord as a handle.
- 7、 Keep the cord away from heated surfaces.
- 8、 Close supervision is necessary when this appliance is used by on or near children, invalids or disabled persons.
- 9、 This unit is not a toy. Children should not use it or play with it.
- 10、 Do not operate where aerosol (spray) products are being used or where oxygen is being administered.
- 11、 Do not use near eyes or other highly sensitive areas.
- 12、 To disconnect, push "POWER" key to "OFF" place, make sure all functions stopped, then remove plug from outlet.
- 13、 Keep cord away from heated surfaces.
- 14、 Use this appliance only for its intended use as described in this manual. Do not use attachments not provided with the unit.

#### HEALTH CAUTION

- If you have any concerns regarding your health, consult your doctor before using this product.
- Individuals with pacemakers should not use this product.
- If you experience pain in a muscle or joint for a prolonged period of time. Discontinue use and consult your doctor. Persistent pain could be a symptom of a more serious condition.

#### MAINTENANCE INSTRUCTIONS

##### TO STORE:

Place unit in its box or safe, dry, cool place. Avoid contact with sharp edges or pointed objects which might cut or puncture the fabric. Do not wrap power cord around the unit. Do not hang the unit by power cord.

##### TO CLEAN:

- Insure the unit is unplugged from the power source, and allow to cool before cleaning.

- 
- Do not place in any liquid to clean. Clean fabric cover by wiping with a damp sponge, using a mild detergent or suds. Pat dry with clean, dry cloth.
  - Do not use abrasive cleaners, brushes, gasoline, kerosene, glass /furniture polish, paint thinner or water hotter than 120 C to clean the unit.
  - To clean the unit, make sure the massager is unplugged. Allow the unit to cool and the wipe down with a damp clean cloth. Do not use any strong chemical cleaners.