

USER MANUAL

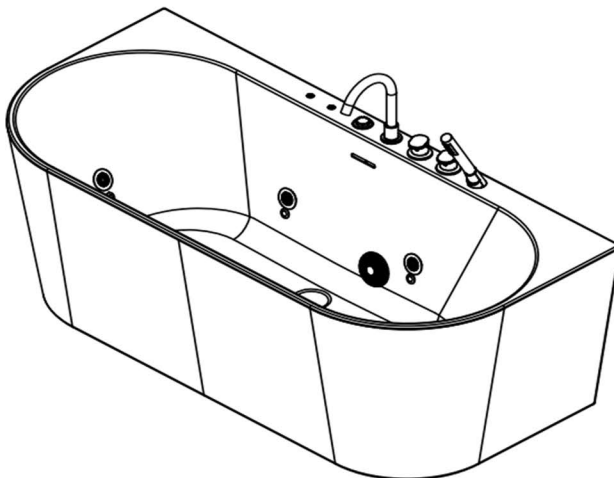
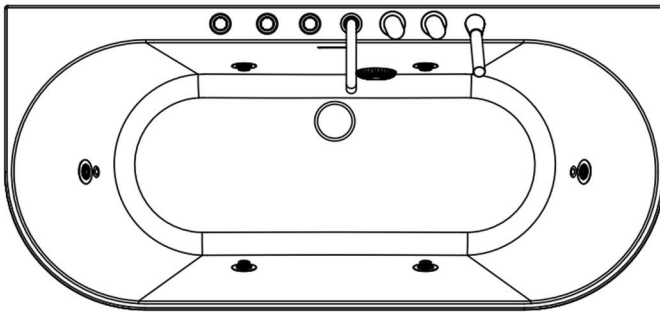
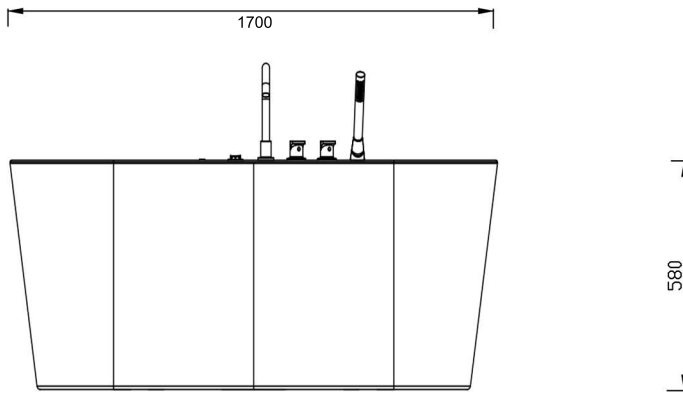
CONTENT

- 01 Precaution
- 02 Product Diagram
- 03 Technical Parameters& Requirements of
 Water & Electricity
- 04 Installation Instructions
- 05 Usage Directions
- 08 Installation Diagram of Water and Electricity
- 09 Maintenance
- 10 Fault and Clearance

Precaution

1. Read this Manual carefully before the installation. Keep the manual in safe for timely need. Qualified technicians are suggested to undertake the installation.
2. The electrical source should be alternating current of 220 V±10%, 60Hz with single loop, located with an independent and fixed all-electrode protecting switch control. The earth wire should be in complete safe condition (The motor is to be connected with the yellow / green wire, the section of it is 1.5 mm². Make sure the earth wire is in safe condition and proved to be effective. The section of power supply wire is not less than 2.5mm². Be aware to keep the plug from touching any water. Waterproof covered socket is recommended.
3. Do not turn on the motor in the condition of no water; Turn off the motor before draining water off.
4. Any child, elderly or disabled person should be warded when he or she takes the massage bath in case of any accident.
5. In the process of massage bath, the water temperature in the whirlpool should not be above the average temperature of human body. The ideal water temperature is 32– 37°C.
6. The power supply should be turned off each time when the bath is finished.
7. Lighted cigarette should not be taken near to the whirlpool; and ash should not be dropped onto the whirlpool in case of any damage.
8. For your benefit, please fill out in detail the guarantee card (a set of triple-notes divided respectively for the customer, dealer and producer) and keep them with other original notes. Your card is effective only when the note for the producer is mailed back to our company according to the address on the note.)
9. The following people are suggested not to take massage bath:
 - (1). Children under 4 years old.
 - (2). Those whose blood circulation is not stable. (3). Those who keep to the bottle.
 - (4). Those who have u.
 - (5) . Those who have heart disease.
 - (6) . Those who have already taken a massage bath.
 - (7) . Those who have finished their meal no more than half an hour.
10. Regular checks (every six months) by some certified electrician are suggested on the creepage switch for its safety and effective work.

Product Diagram



Technical parameters & Requirements of Water & Electricity

1. Product parameters

Model	Size(mm)
06-20BT520FL-WH	1700X800X580

2. Electricity Parameter

Model	Rated voltage/ Frequency	Water pump power	Air pump power	Total power
	110V/60Hz	750W	/	750W

Note:

For certain market, rated voltage and frequency may be custom-made to 110V/60Hz and 220V/60Hz respectively.

3. Electric Equipment Installation

- (1) The power supply facilities should be in accordance with the state safety standard, and the voltage and frequency should be in accordance with the nameplate on the motor. There must have a protection switch and make sure the earth wire works.
- (2) The power line of the whirlpool should be permanent, the power line should be triple-core wire, the sectional area of each core shouldn't be less than 2.5 mm² (3X2.5mm²), when the power line passes through the wall, use protection bushing till the power supply connects with the plug socket.
- (3) Connect the ground connection of the whirlpool with that of the house, and prove that is effective.
- (4) The power supply must be connected with the special power line. The power should be shut off after use.

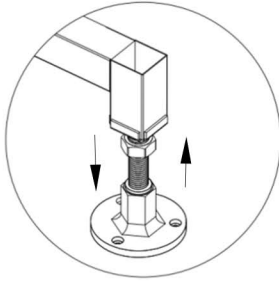
4. Water Supply Equipment:

- (1) The Water supply pressure of this product is 0.2Mpa –0.4Mpa; the water temperature offered should not be over 65°C.
- (2) The water supply from the water source for the whirlpool should be located in a proper spot near the whirlpool where it is properly sheltered and is connected to the whirlpool through a hose. The direction of the hose layout is decided by the user, for such hose is not supplied with the product.
- (3) An independent valve should be added to the water supply hose, and it should be turned of each time when bathing is over.

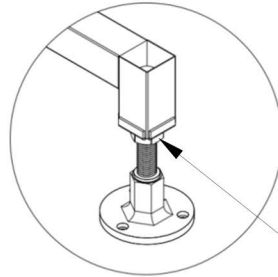
Installation Instructions

Adjust the bathtub

Regulate the foot screws according to the floor condition, until the bathtub is level.



Picture 1



Lock screw nut

Picture 2

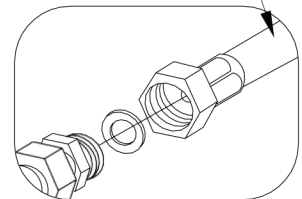
Attention

- ① To avoid scratching the bathtub while installing, please coat the surface with soft materials.
- ② Please do not let any hard object impact or drop in the bathtub while installing.
- ③ Do not stand on the bathtub or put heavy objects on the bathtub edges.

Connect cold and hot water pipe

Red for the hot water

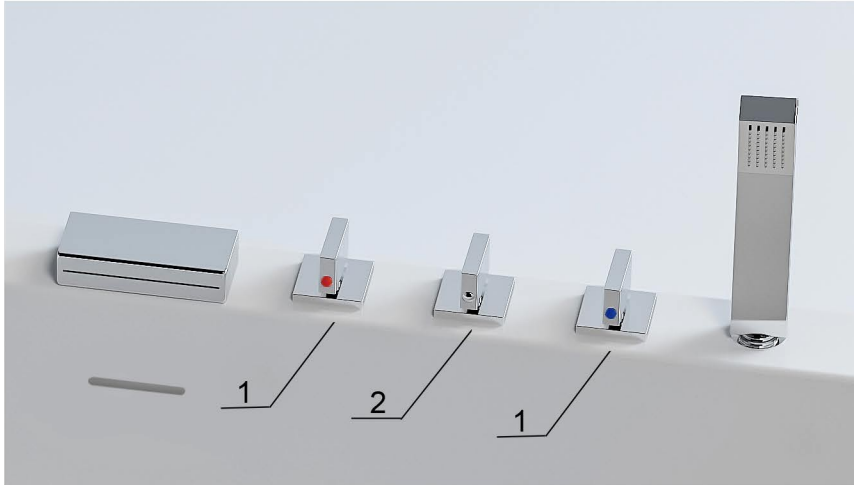
Blue for the cold water



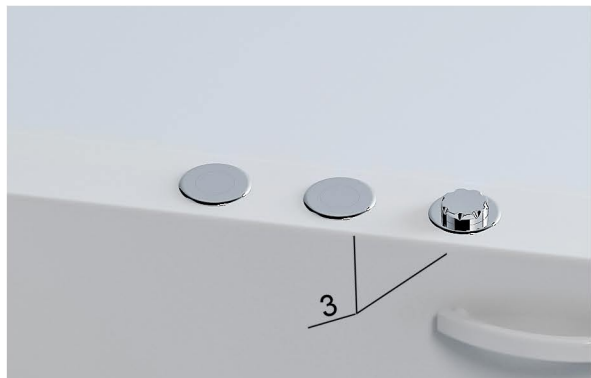
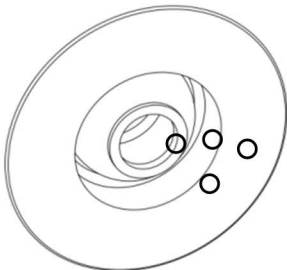
While connecting the joints of the hot & cold water pipes, please add on the gasket ring.

Usage Directions

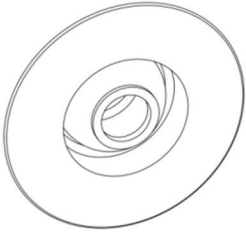
Usage of faucet



1. Water inlet: H is for hot water, C is for cold water. Turn-off condition. Rotate the switch and it is able to control water flow, cold and hot water.
2. ① Functions switch: Rotate the switch to the function you want.
② The switch can control the following functions: turn off, manual inlet, hand-held shower
3. Usage of air adjustment switch: circumrotate of air adjustment switch in accordance with the sign on the above picture to adjust the strength of the water wave.

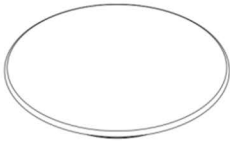


Use of adjustable nozzle



Turn the adjustable nozzle to get the wanted strength of the water massage.

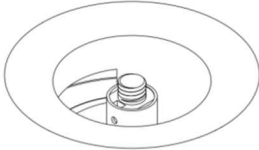
Usage of drainer



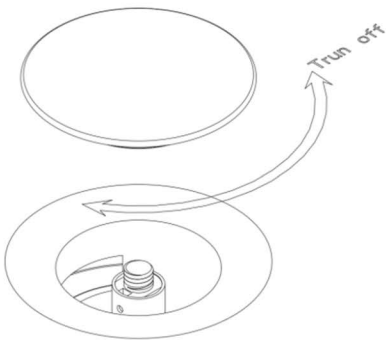
Push drainer cover to open or shut the valve.

Push drainer cover to open the valve in order to drain off the water.

Push drainer cover again to shut the valve in order to stop draining.



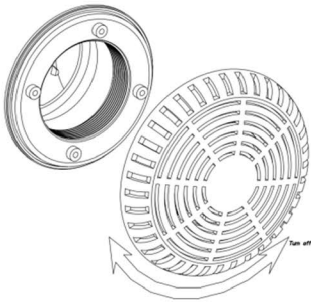
How to clean the sundries at the drainer



When the whirlpool is used for a certain while or blocked with some sundries, take off the drainer cover and clean the sundries.

If the drainer net should be taken down, screw off the center fixed nut and take it down.

How to take off the backwater net



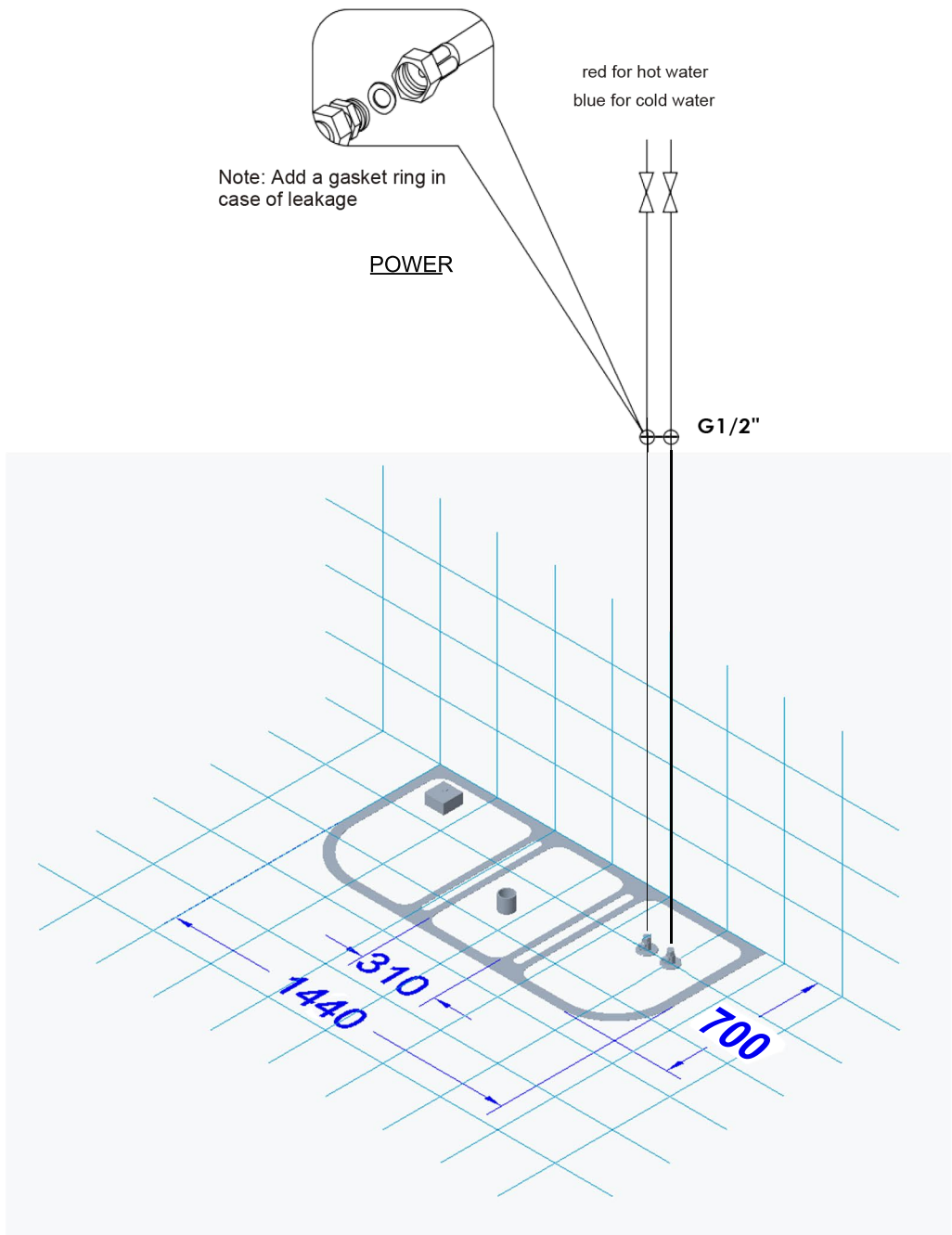
When the backwater net is blocked with sundries, circumrotate it counter clockwise till a sound heard, then take off the backwater net for cleaning. Then circumrotate it counter clockwise in the backwater till it is set tight.

Caution:

1. It is forbidden to turn on the water pump under the condition of no water in the bathtub.
The pump can only be turned on when the water is over 2-3cm of the nozzle, otherwise the water will splash.
2. The inner diameter of the drainer pipe should not be less the outlet diameter of the drainer in case of incomplete drainage.

Installation Diagram of Water and Electricity

Installation Diagram of Water and Electricity



Note:

For certain market, rated voltage and frequency may be custom-made to 110V/60Hz and 220V/60Hz respectively.

Maintenance

1. The daily cleanness of the massage whirlpool may be used the common liquid scour and soft cloth, but it is forbidden to use the scour with acetone or ammonia; It is forbidden to use the disinfectant with formaldehyde while sterilizing;
2. The surface blotch may be wiped up with tooth paste and soft cloth;
3. The light surface scratches or burns by cigarette may be polished with 2000 type sand cloth soaked into water, and then deal them with the polishing compound.
4. Wipe up the blotch on the galvanized pieces with soft flannelette, it is forbidden to use rough cloth or nitric thinner solution etc.
5. Clean the backwater net usually in case of jam.
6. Check the water pipe is broken, folded or not periodically to lead to the inconvenient use.
7. Check whether the power line, switch, plug are loosed or damaged, so as to repair.
8. In order to extent longevity of the products, please the consumers pay attention to that the continuous time should not beyond 3 hours.

Fault and Clearance

Fault	Cause	Solution
Motor does not work	Voltage is out of order	Check if the parameter of electric source matches that on the motor nameplate
	Power supply plug falls off or power supply wire is of open circuit	Re-set the power supply wire or replace it
	The connecting wire between the exhaust fan and pipe falls off or is broken	Re-set or replace it
	The exhaust fan seizes up	Replace it
Motor does not work	The electric source parameter does not match that on the motor nameplate	Contact the dealer
	The fixing screws are loose or falls off	Make sure to fixed the screws firmly
	The earth screws of the whirlpool supporting frame do not reach the ground	Re-adjust them to reach the ground
The water pipe leaks	The sealing gasket ages	Replace it
	The interface is not felted properly	Re-felt it
	The water pipe is broken	Replace it

Note:

Any other faults not mentioned above should be treated with accordingly or get them checked by qualified technician.