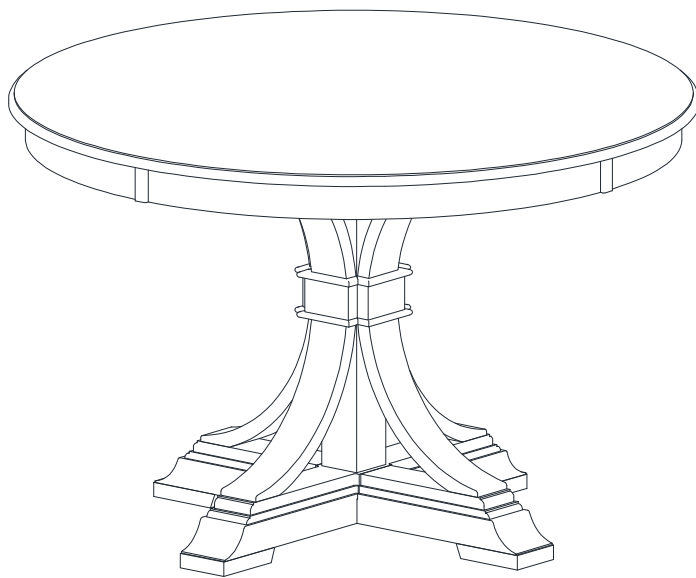


ASSEMBLY INSTRUCTIONS

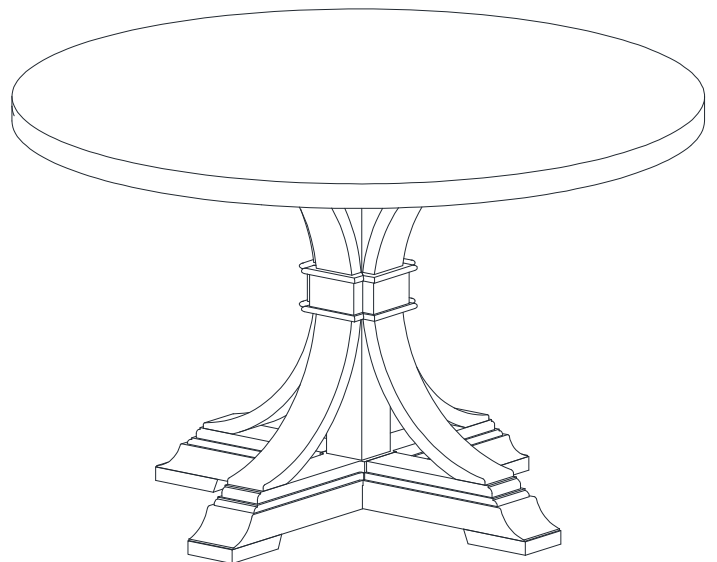
SKU: FE7-0N-TP

- THE CROSSPIECE IS PACKAGED TOGETHER WITH THE TABLE TOP. PLEASE CHECK THE TABLE TOP PACKAGE FOR THE CROSSPIECE.
- 007 Pedestal is compatible with both the Irving and Ferris tabletops. Assembly instructions are identical for each. Please email us at sales@eastwestfurniture.net if you need any further assistance.

SKU: FET,FE5,007-P



SKU: IRT,IR5,007-P



Description : FERRIS 54" ROUND DINING TABLE

Product Dimension : Ø54"x30"H

Cube Size : 57.4"x57.4"x5.3"
(TABLETOP)

NW: 46.2 LBS
GW: 57.2 LBS

Description : IRVING 54" ROUND DINING TABLE

Product Dimension : Ø54"x30"H

Cube Size : 57.4"x57.4"x5.1"
(TABLETOP)

NW: 52.8 LBS
GW: 63.8LBS

Description : FERRIS 48" ROUND DINING TABLE

Product Dimension : Ø48"x30"H

Cube Size : 51.3"x51.3"x5.3"
(TABLETOP)

NW: 41.8 LBS
GW: 50.6 LBS

Description : IRVING 48" ROUND DINING TABLE

Product Dimension : Ø48"x30"H

Cube Size : 51.3"x51.3"x5.1"
(TABLETOP)

NW: 44 LBS
GW: 51.7 LBS

Cube Size : 35.8"x23.8"x10"
(PEDESTAL-007)

NW: 29.7 LBS
GW: 33 LBS

FERRIS 48" /54" ROUND DINING TABLE
IRVING 48" /54" ROUND DINING TABLE

BEFORE ASSEMBLY

Thank you for purchasing this quality product. This product has been designed for easy assembly and constructed for durability. Please take the time to read and follow the assembly instructions carefully.

Be sure to check all packing material carefully for small parts which may have come loose inside the carton during shipment. Please separate, identify, and count all parts and metal hardware. Compare with part list to be sure all parts are present.

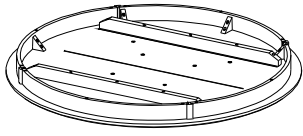
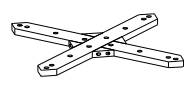
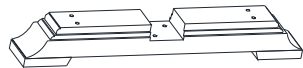
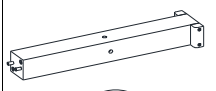
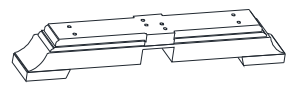
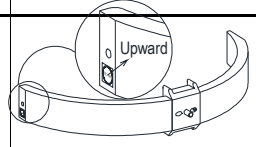
If hardware is missing or you have difficulty assembling this product, please call for us.

IMPORTANT NOTE:

- Place all wooden parts on a clean and smooth surface such as a rug or carpet to avoid the parts from being scratched.
- Remove all wrapping material, including staples & packing straps before you start to assemble.
- DO NOT tighten all screws and bolts until completely assembled.
- Keep all hardware parts out of reach of children.


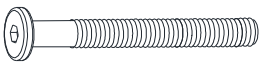
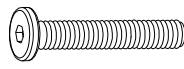
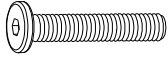
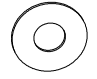



PART LIST

When unpacking, please be careful not to discard any parts with the packaging. Before continuing, please make sure you have the following parts:

| NO | Description | Qty | Sketch | NO | Description | Qty | Sketch |
|----|-------------|-----|---|----|-------------|-----|---|
| A | Table Top | 1 |  <p style="text-align: center;">SKU:FET,FE5 SKU:IRT,IR5</p> | B | Cross piece | 1 |  |
| C | Leg 1 | 1 |  | D | Pedestal 1 | 1 |  |
| E | Leg 2 | 1 |  | F | Pedestal 2 | 4 |  |

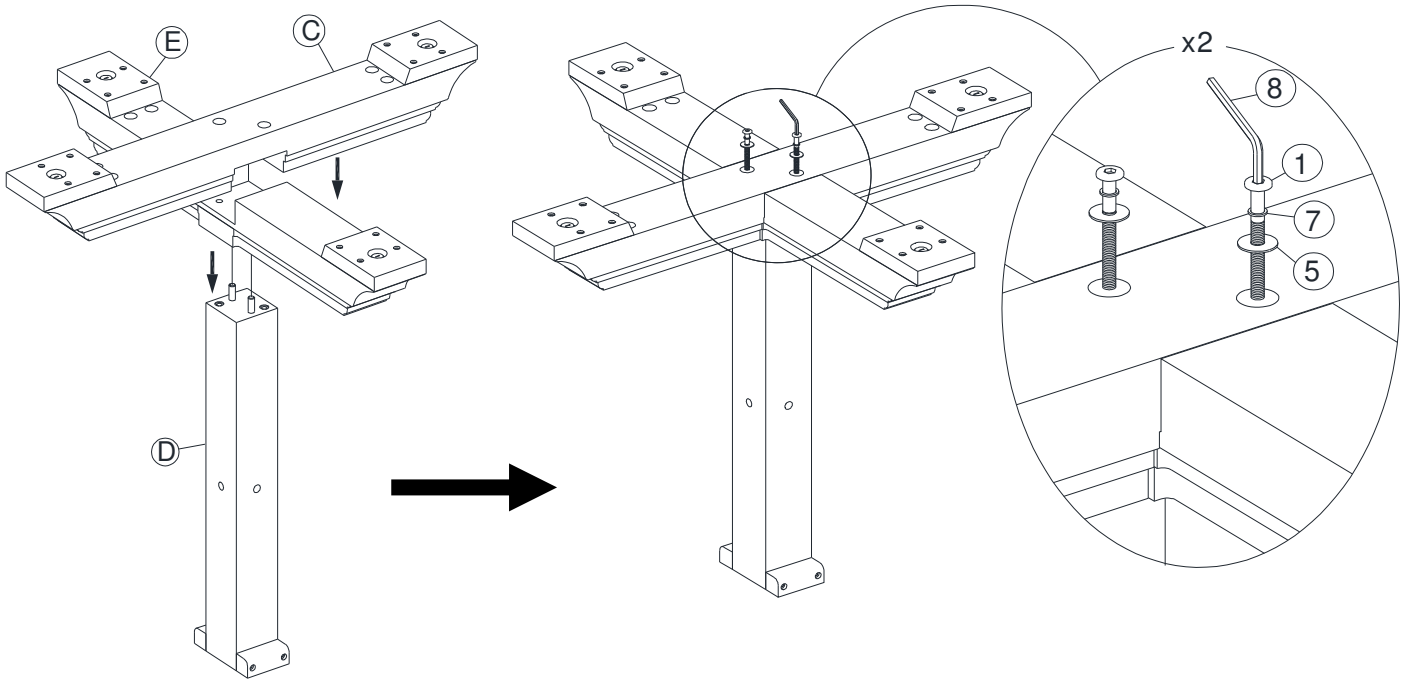
HARDWARE LIST

When unpacking, please be careful not to discard any parts with the packaging. Before continuing, please make sure you have all of the following hardware:

| NO | Description | Qty | Sketch | NO | Description | Qty | Sketch |
|----|-----------------------------------|-----|---|----|-----------------------------------|-----|---|
| 1 | Long bolt (M6x100mm) | 2 |  | 2 | Medium bolt (M6x80mm) | 8 |  |
| 3 | Short bolt (M6x40mm) | 2 |  | 4 | Short bolt (M6x30mm) | 12 |  |
| 5 | Large flat washer (Φ6.5xΦ19mm) | 10 |  | 6 | Large flat washer (Φ6.5xΦ13mm) | 6 |  |
| 7 | Small lock washer (Φ6.5xΦ9mm) | 16 |  | 8 | Allen key (M4) | 2 |  |

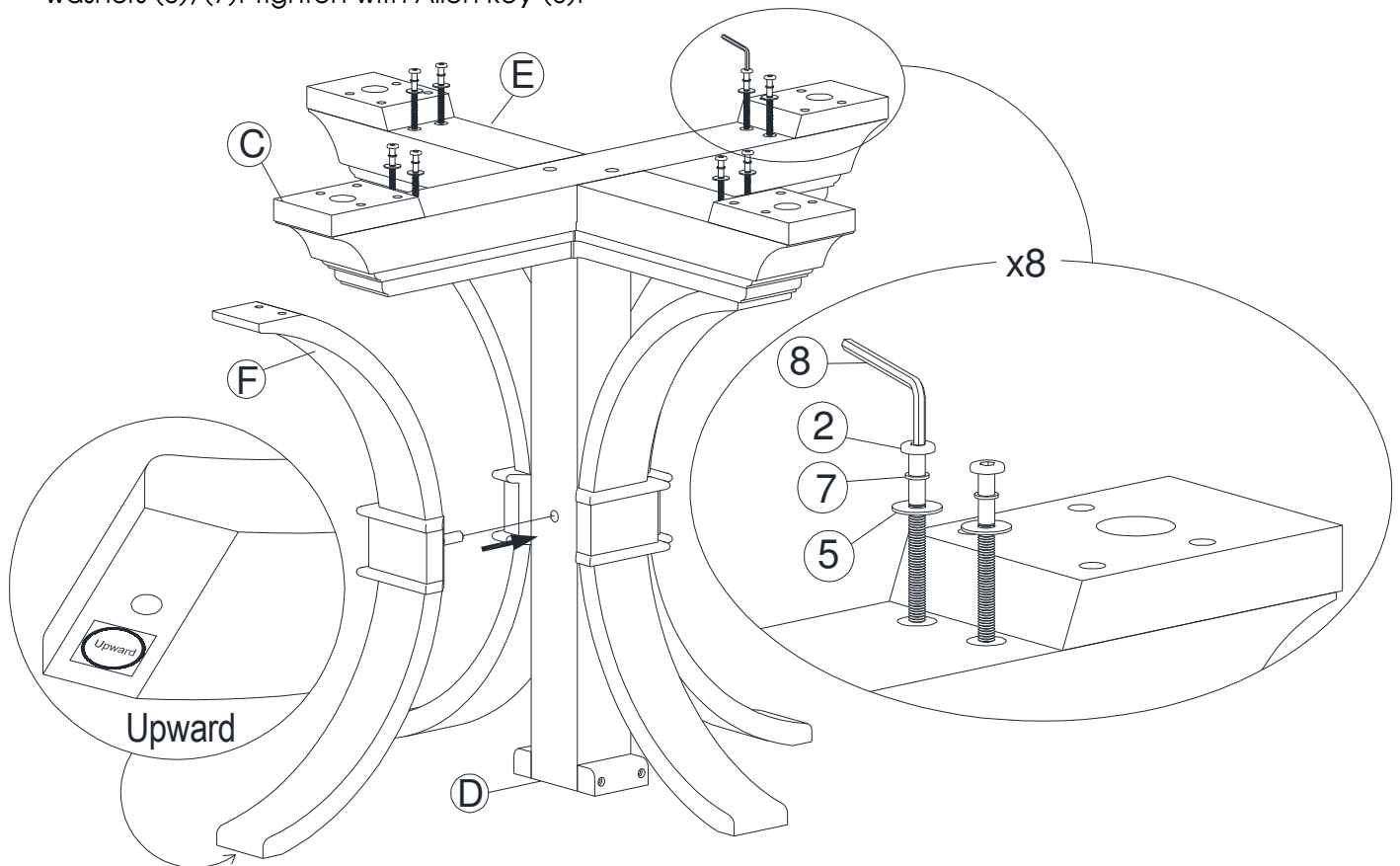
STEP 1

Attach leg (E) and leg (C) to the Pedestal (D) with long bolt (1) and washer (5), (7). Tighten with Allen key (8).



STEP 2

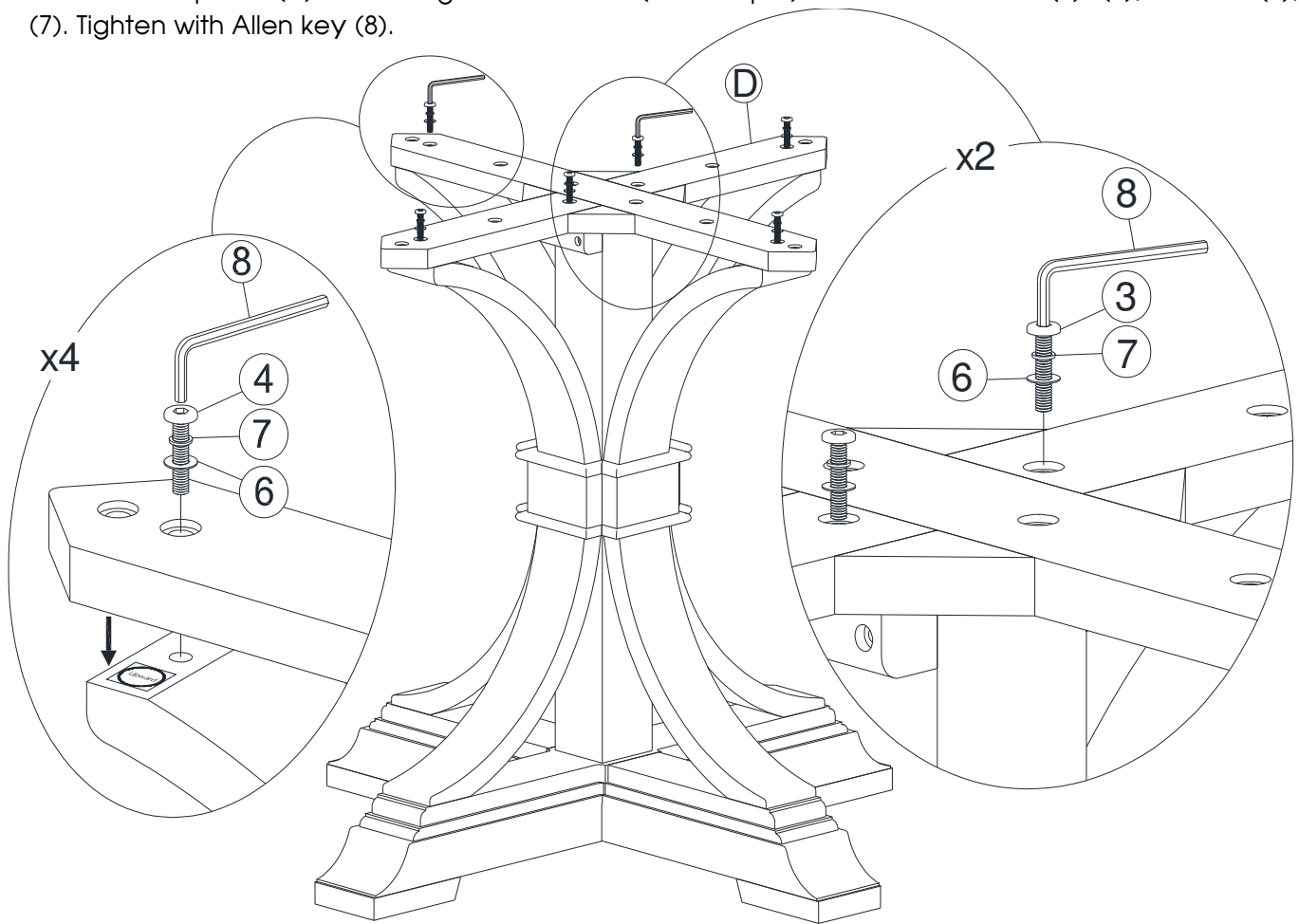
Attach pedestal 2 (F) to the pedestal 1 (D) and legs (E)&(C) (from Step 1) with medium bolts (2), washers (5), (7). Tighten with Allen key (8).



FERRIS 48" /54" ROUND DINING TABLE
IRVING 48" /54" ROUND DINING TABLE

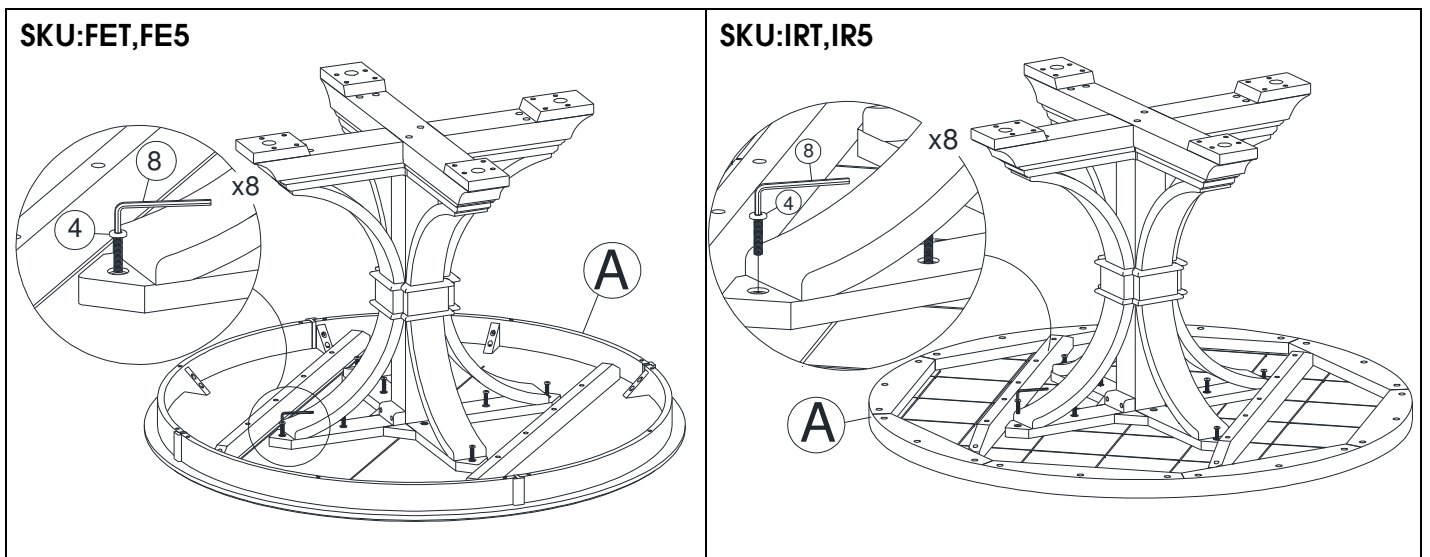
STEP 3

Attach cross piece (D) to the Leg and Pedestal (from step 2) with medium bolts (3)&(4), washers (6), (7). Tighten with Allen key (8).



STEP 4

Carefully place the Cross piece (from Step 3) on bottom side of the table top (A), attach with short bolts (4). Tighten with Allen key (8).

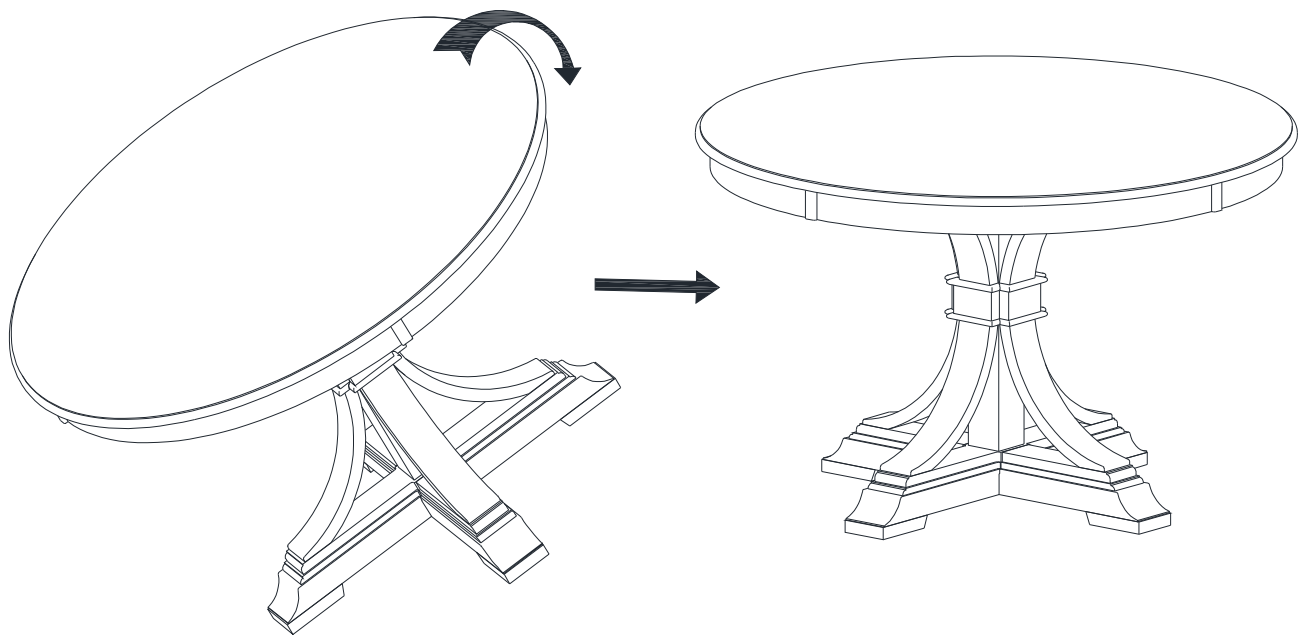


FERRIS 48" /54" ROUND DINING TABLE
IRVING 48" /54" ROUND DINING TABLE

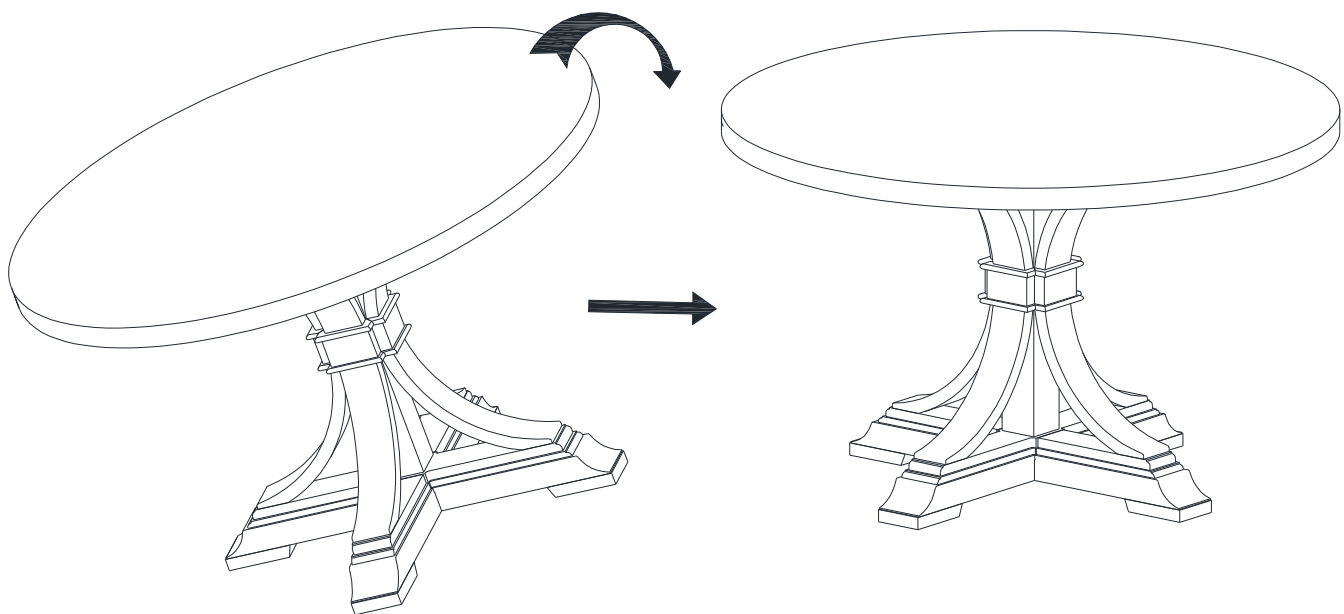
STEP 5

Flip the table and put on flat ground. Complete the assembly

SKU:FET,FE5



SKU:IRT,IR5



FERRIS 48" /54" ROUND DINING TABLE
IRVING 48" /54" ROUND DINING TABLE