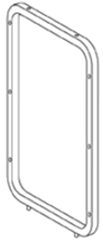
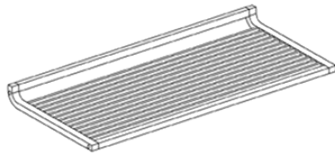


# 3-Tier Bamboo Shoe Rack

## Package Contents



A. Side Stand x 2



B. Shelf x 3



a. Screws x 12



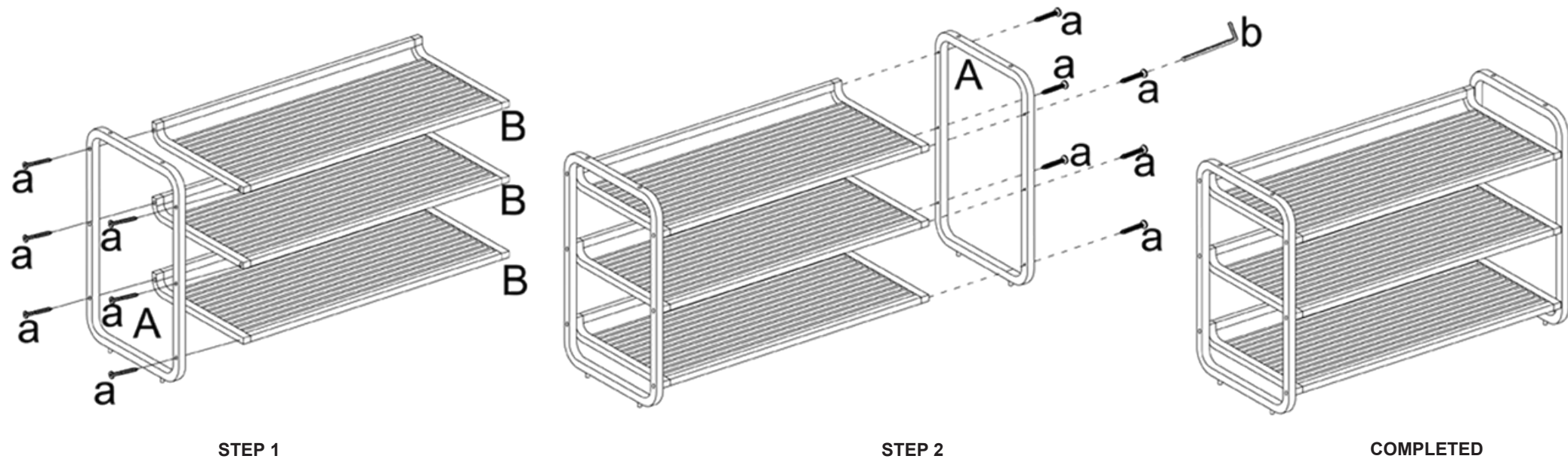
b. L tool x 1



C. Wood Dowel x 4

**NOTE:** Part C is required only if you are stacking second unit.

## Assembly Instructions



STEP 1

STEP 2

COMPLETED

## Safety Information

1. Two adults are recommended for ease of assembly. Use care when handling.
2. Assembly recommended on a soft surface, such as carpet, to avoid scratching flooring finish.
3. Discard the black circular plastic pieces. These are used to separate the shelves for shipping purpose.



**CAUTION:** Do not allow children to climb or play in or around the shelves.