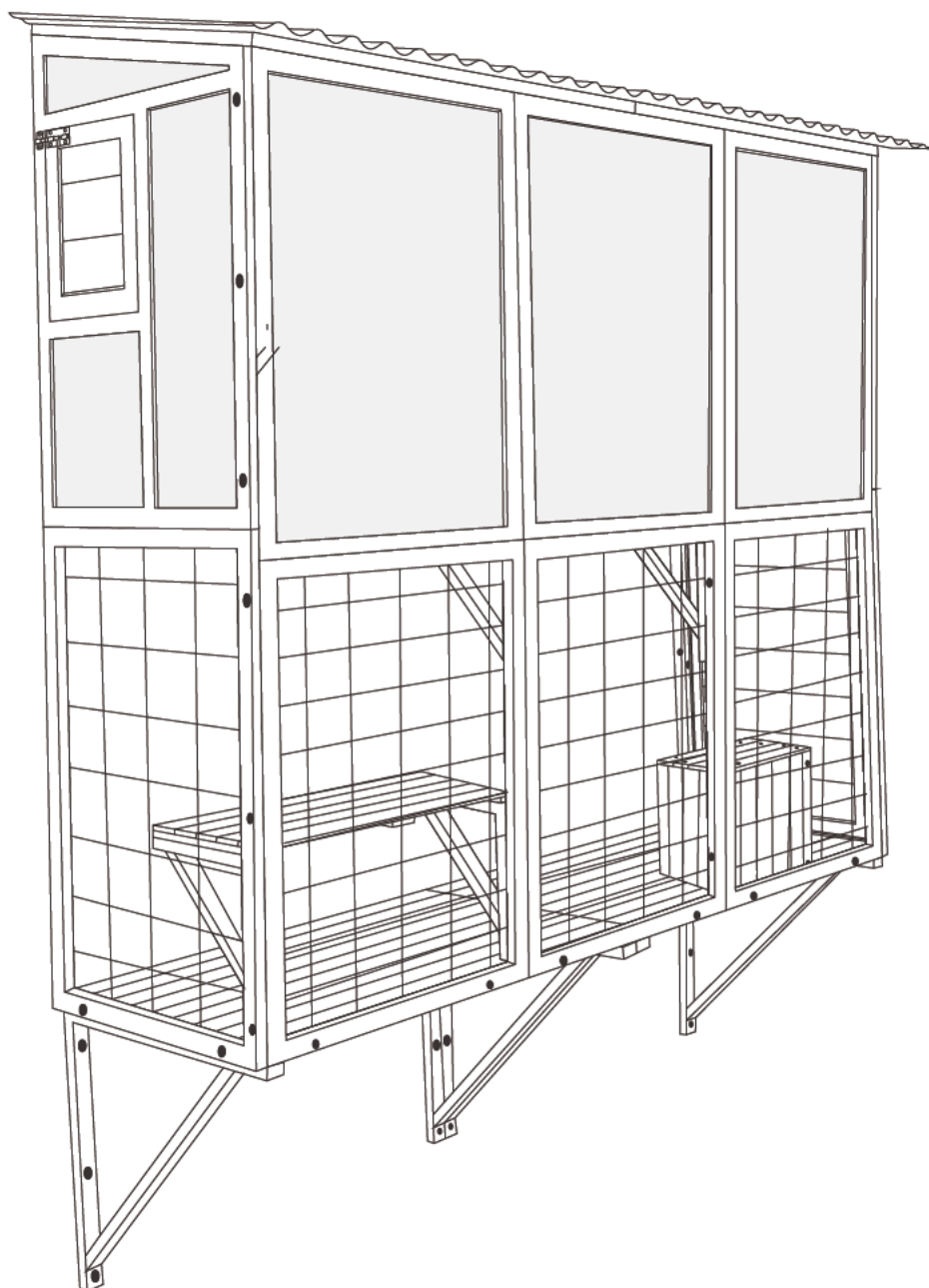


INSTRUCTION MANUAL



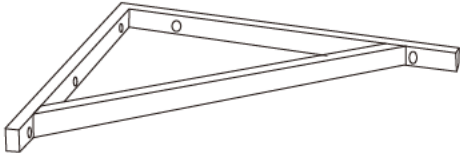
Attention

Thanks for choosing our product.

1. Before assembly, please check carefully if you have received all the parts as listed below. If you have any missing or damaged parts, feel free to contact us for help.
2. We recommend to assemble the cage with 2 people.
3. Please wear protective gloves when assembling. Power tools are highly recommended for screwing.

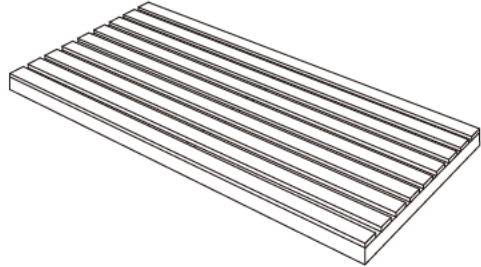
BOARD IDENTIFICATION

A



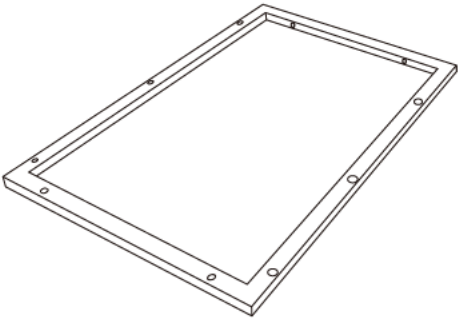
4 PCS

B



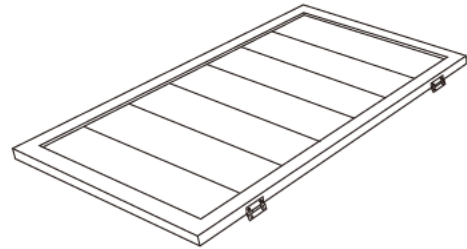
2 PCS

C



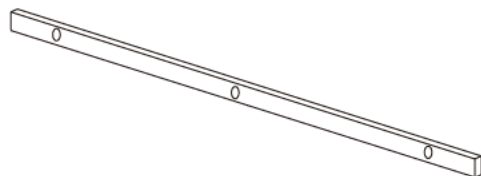
1 PC

D



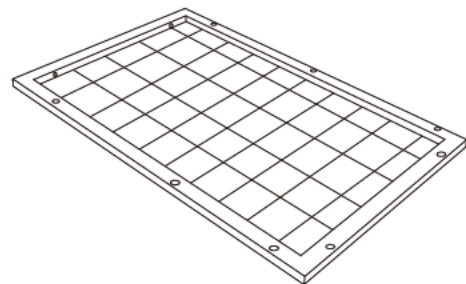
1 PC

E



4 PCS

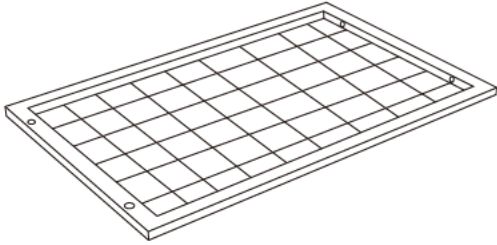
F



1 PC

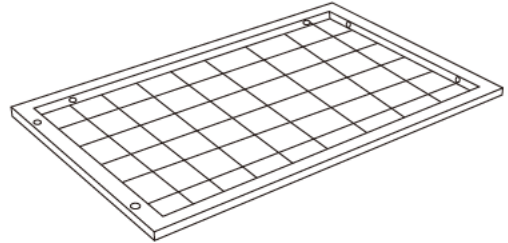
BOARD IDENTIFICATION

G



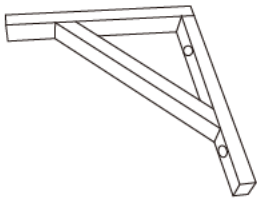
2 PCS

H



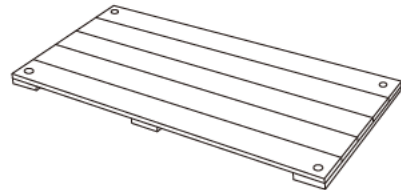
1 PC

I



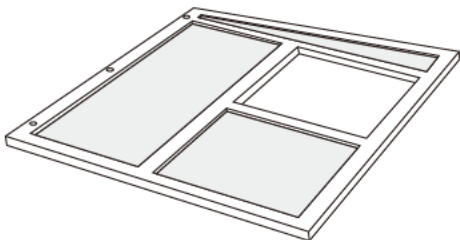
8 PCS

J



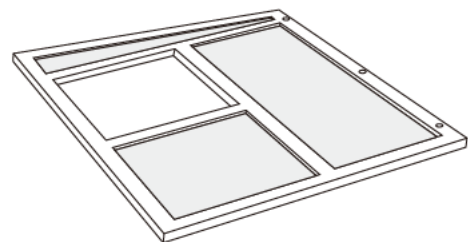
2 PCS

K



1 PC

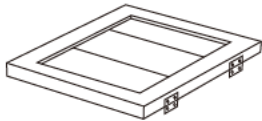
L



1 PC

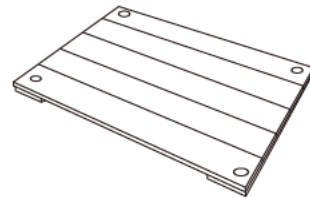
BOARD IDENTIFICATION

M



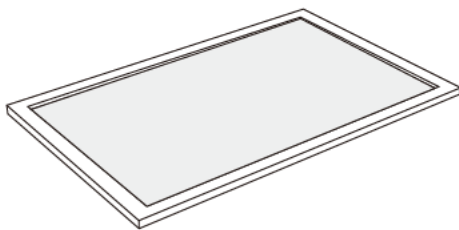
2 PCS

N



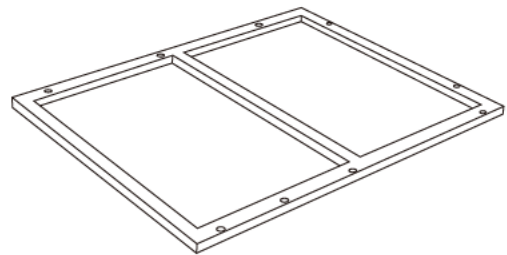
2 PCS

O



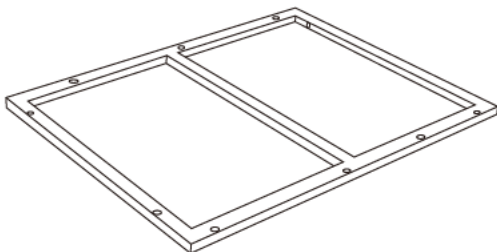
3 PCS

P



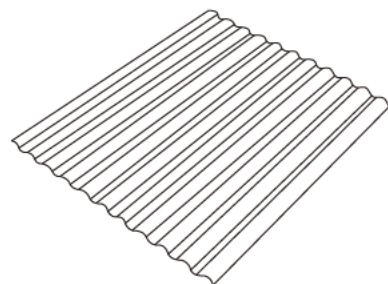
1 PC

Q



1 PC

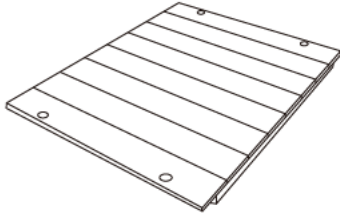
R



4 PCS

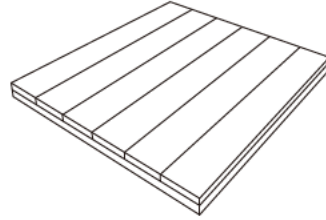
BOARD IDENTIFICATION

S



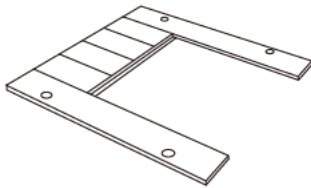
1 PC

T



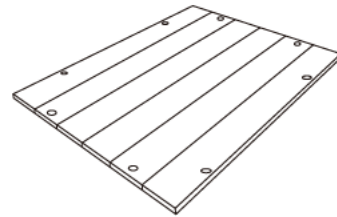
2 PCS

U



1 PC

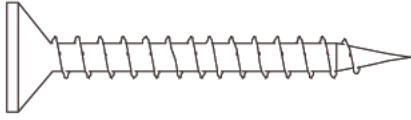
V



1 PC

PART LIST

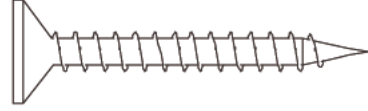
S1



M3.5x30mm

85 PCS

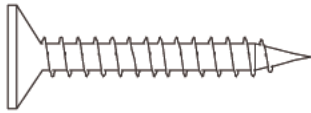
S2



M3.5x25mm

32 PCS

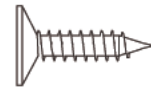
S3



M3.5x20mm

18 PCS

S4



M3x10mm

36 PCS

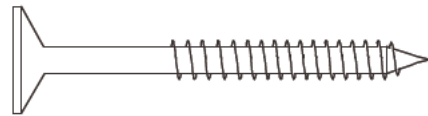
S5



M6x30mm

24 PCS

S6



M3x50mm

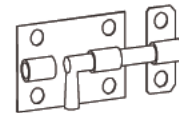
24 PCS

S7



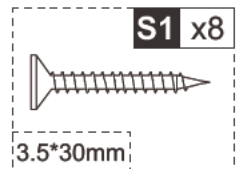
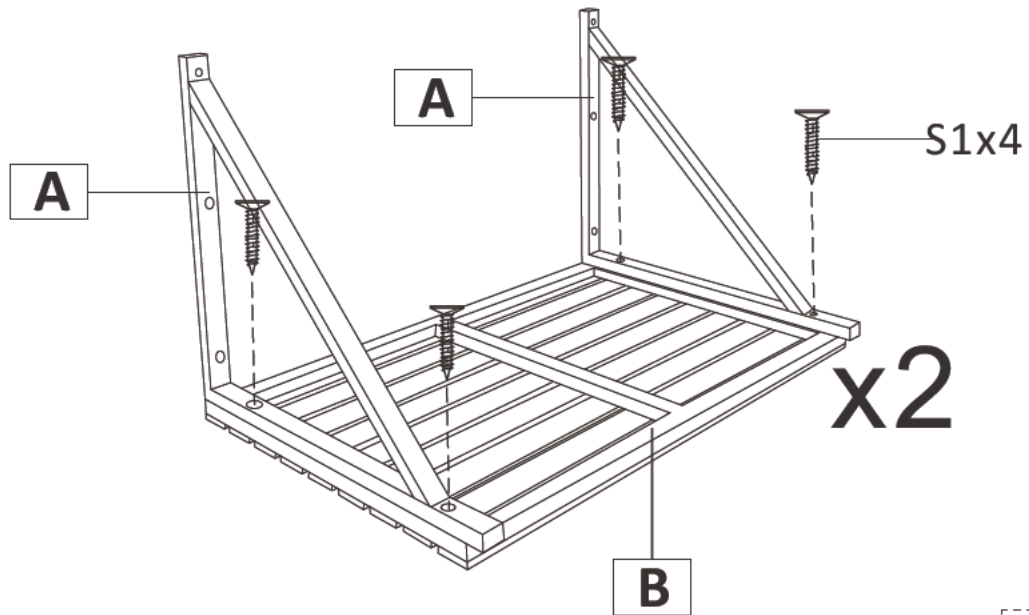
3 PCS

S8

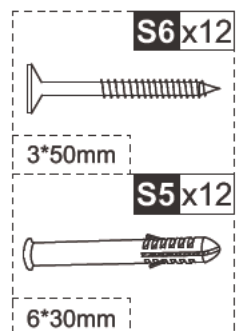
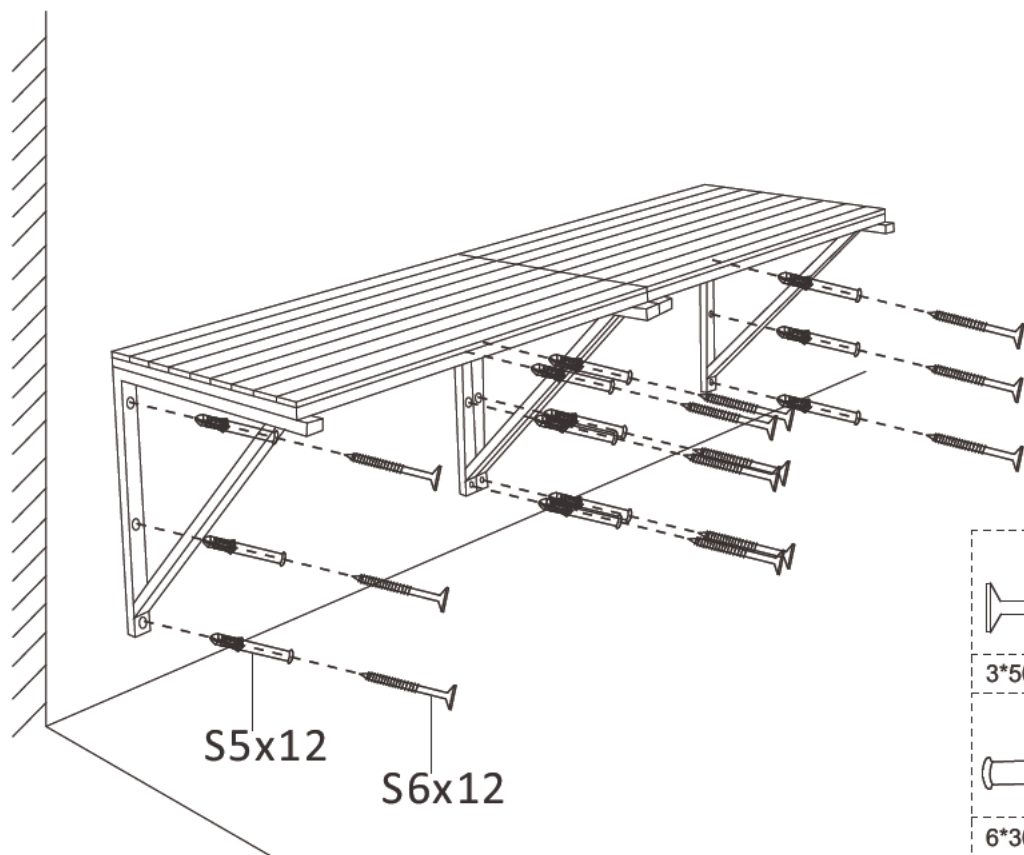


3 PCS

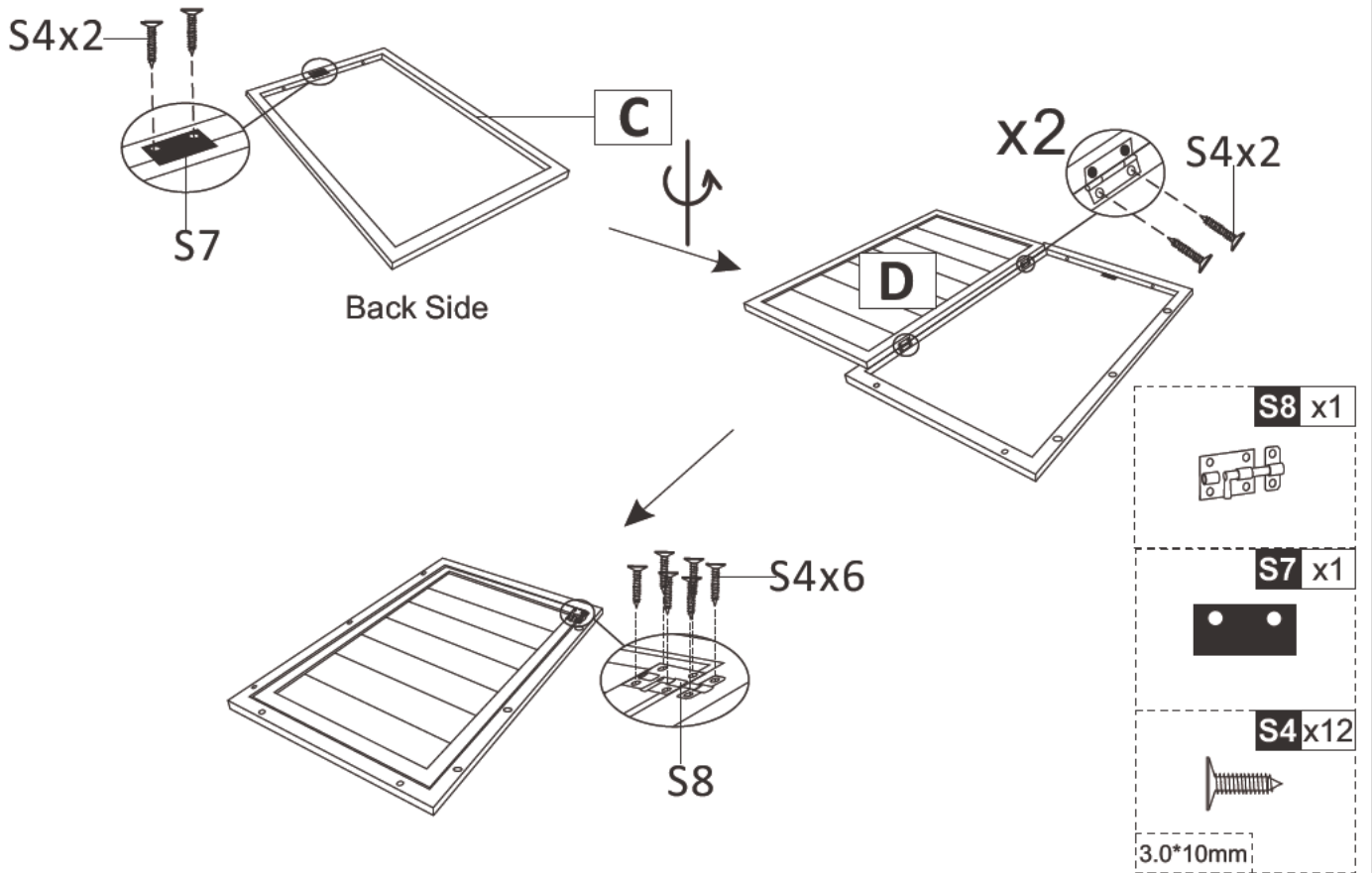
STEP 1



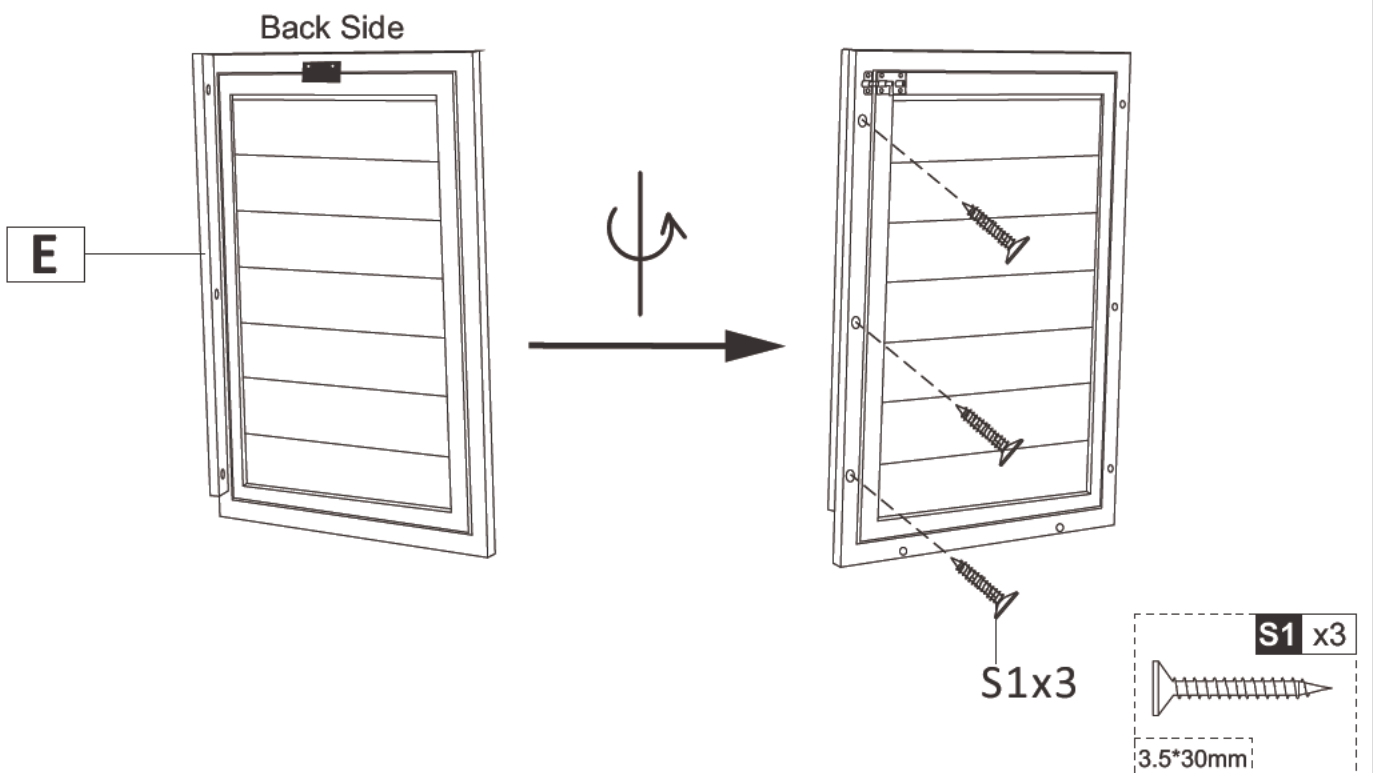
STEP 2



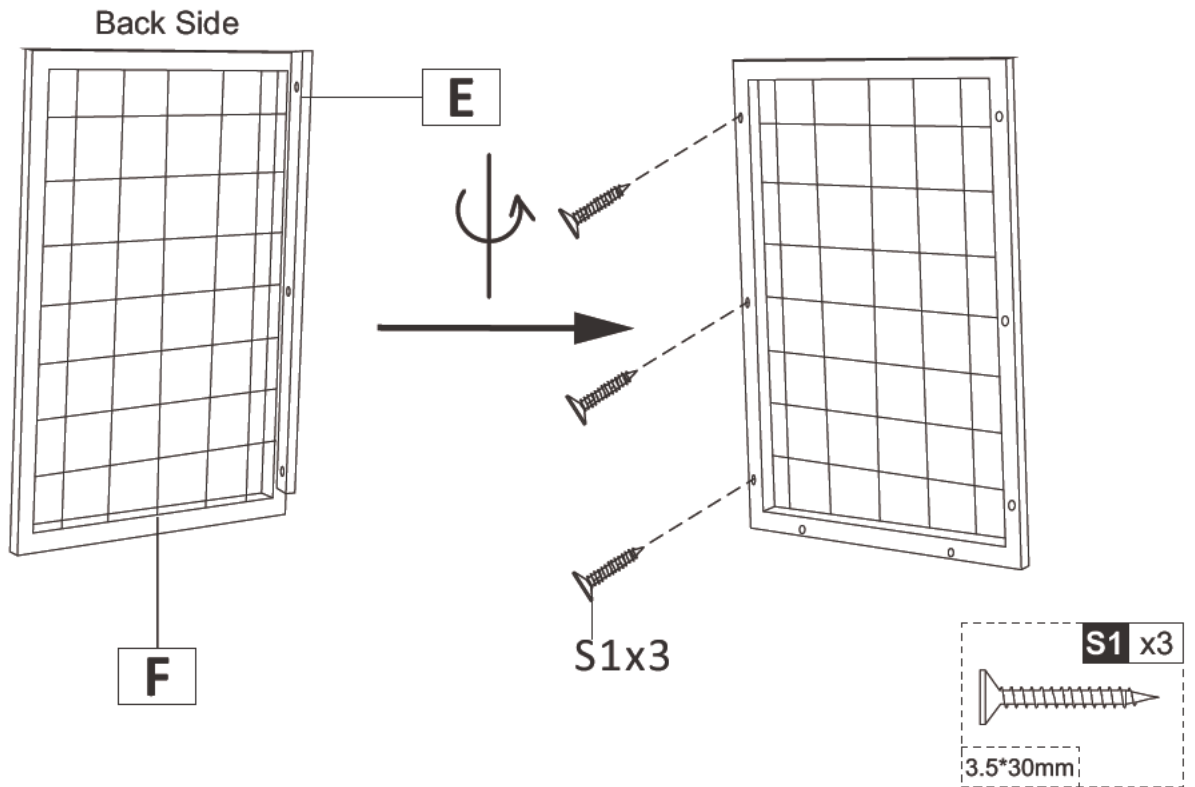
STEP 3



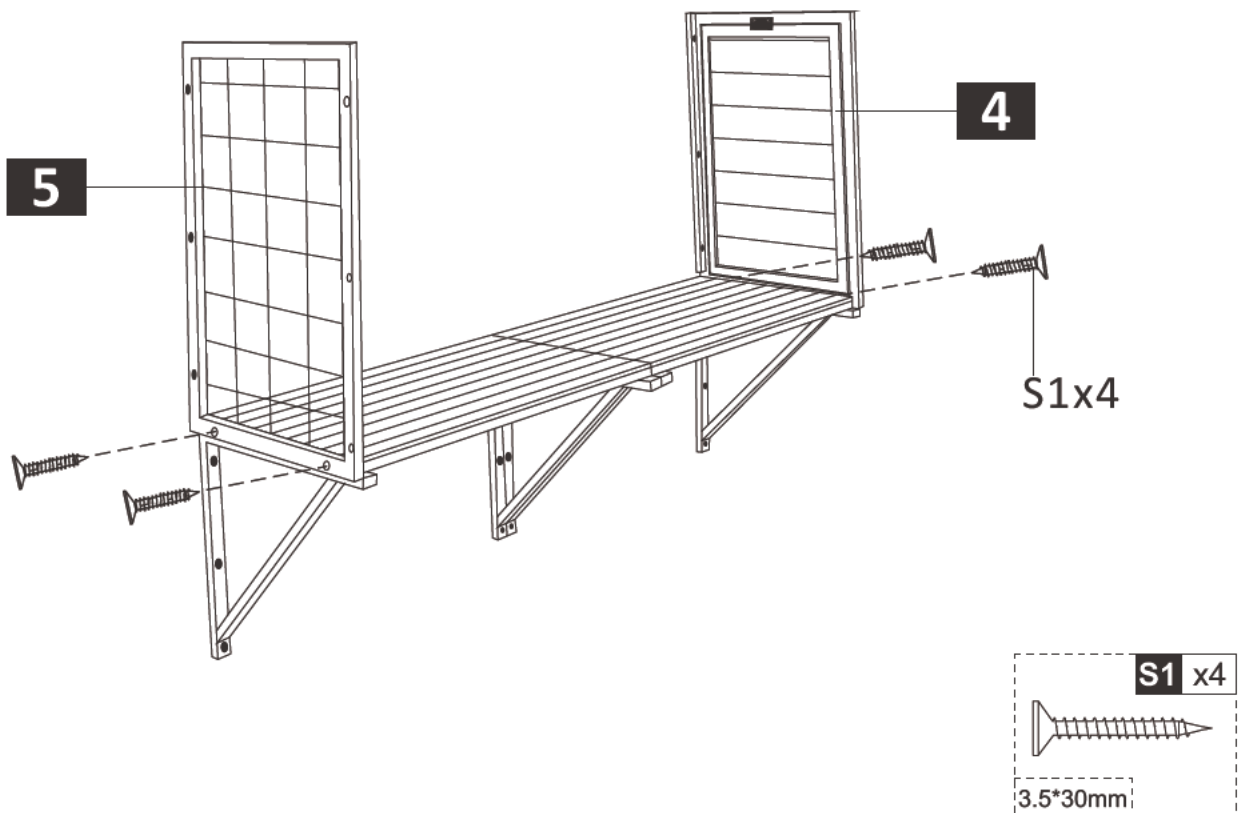
STEP 4



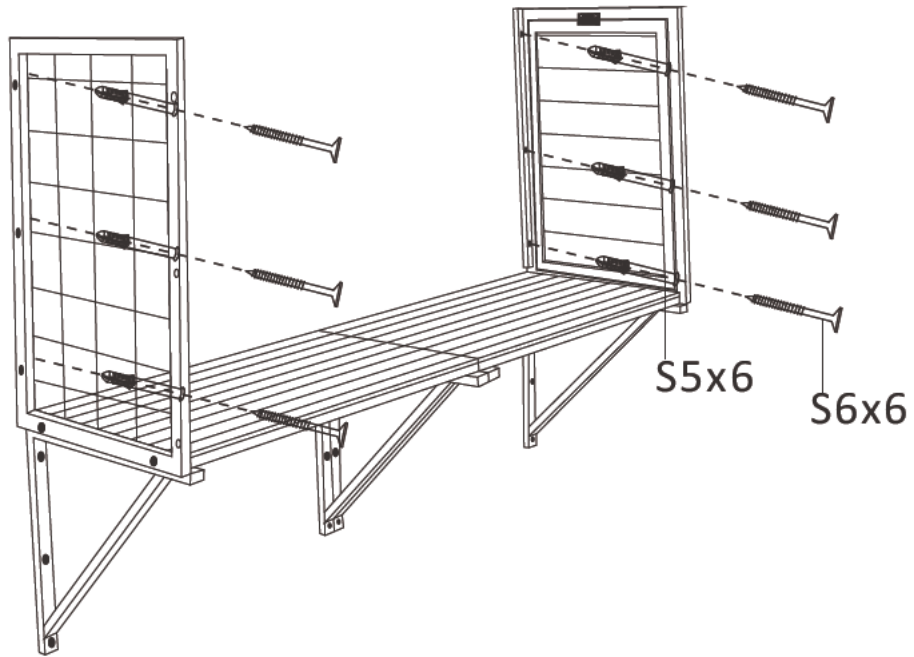
STEP 5



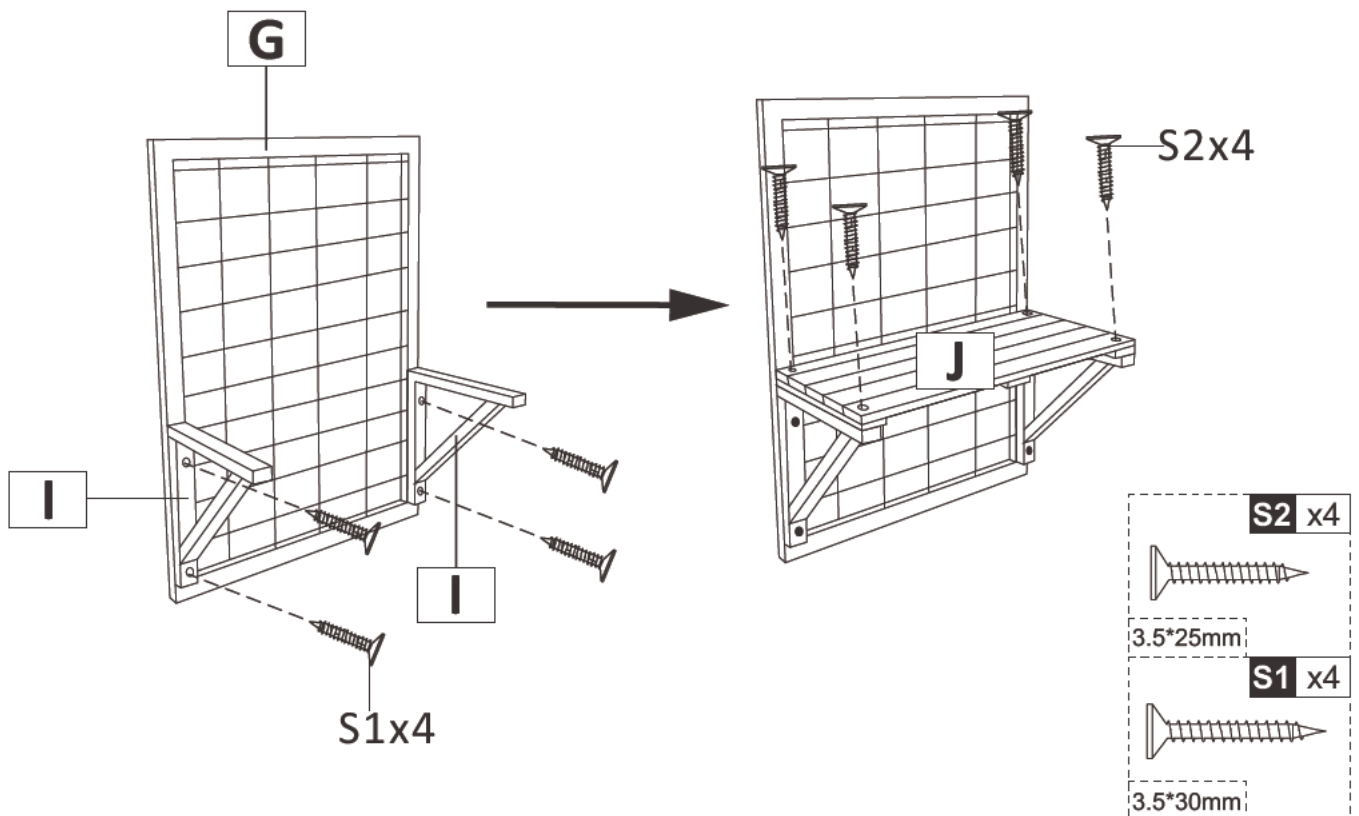
STEP 6



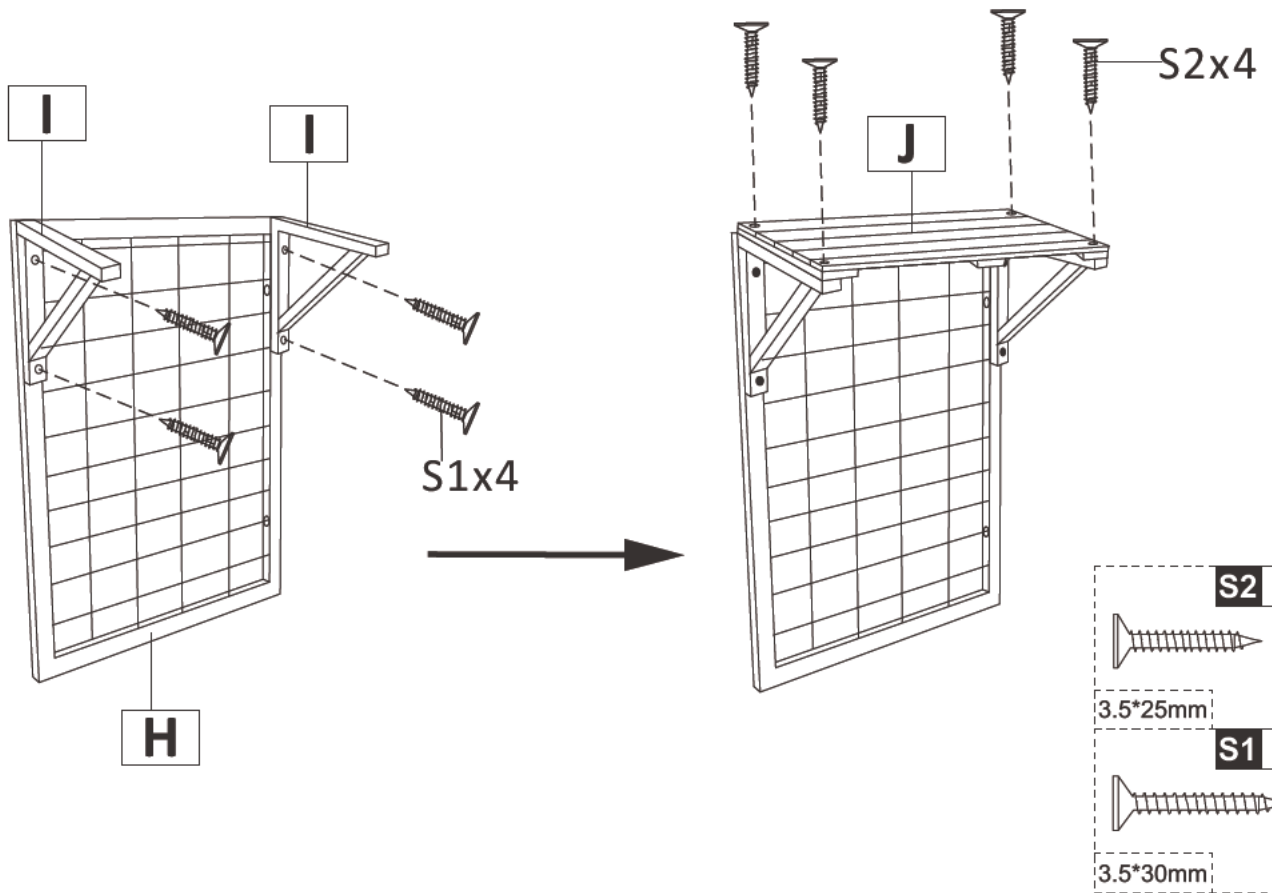
STEP 7



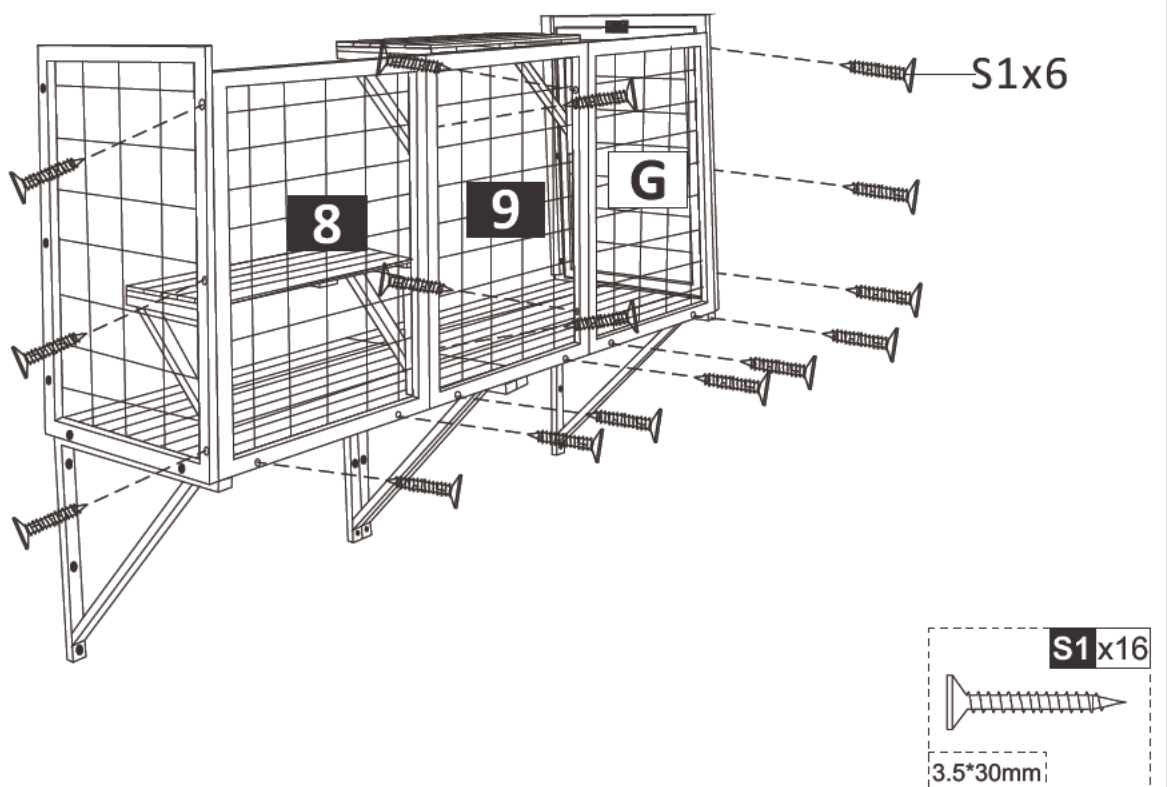
STEP 8



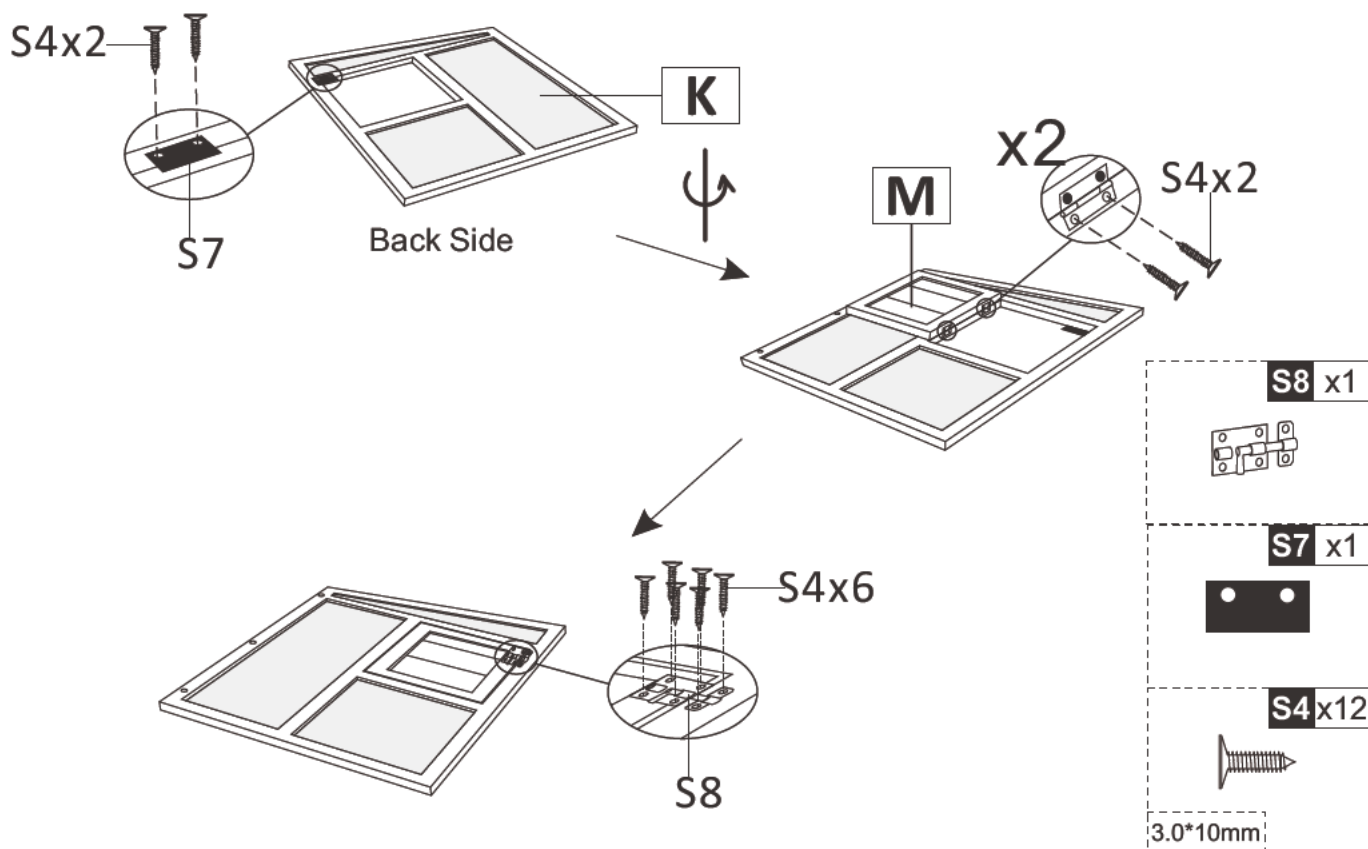
STEP 9



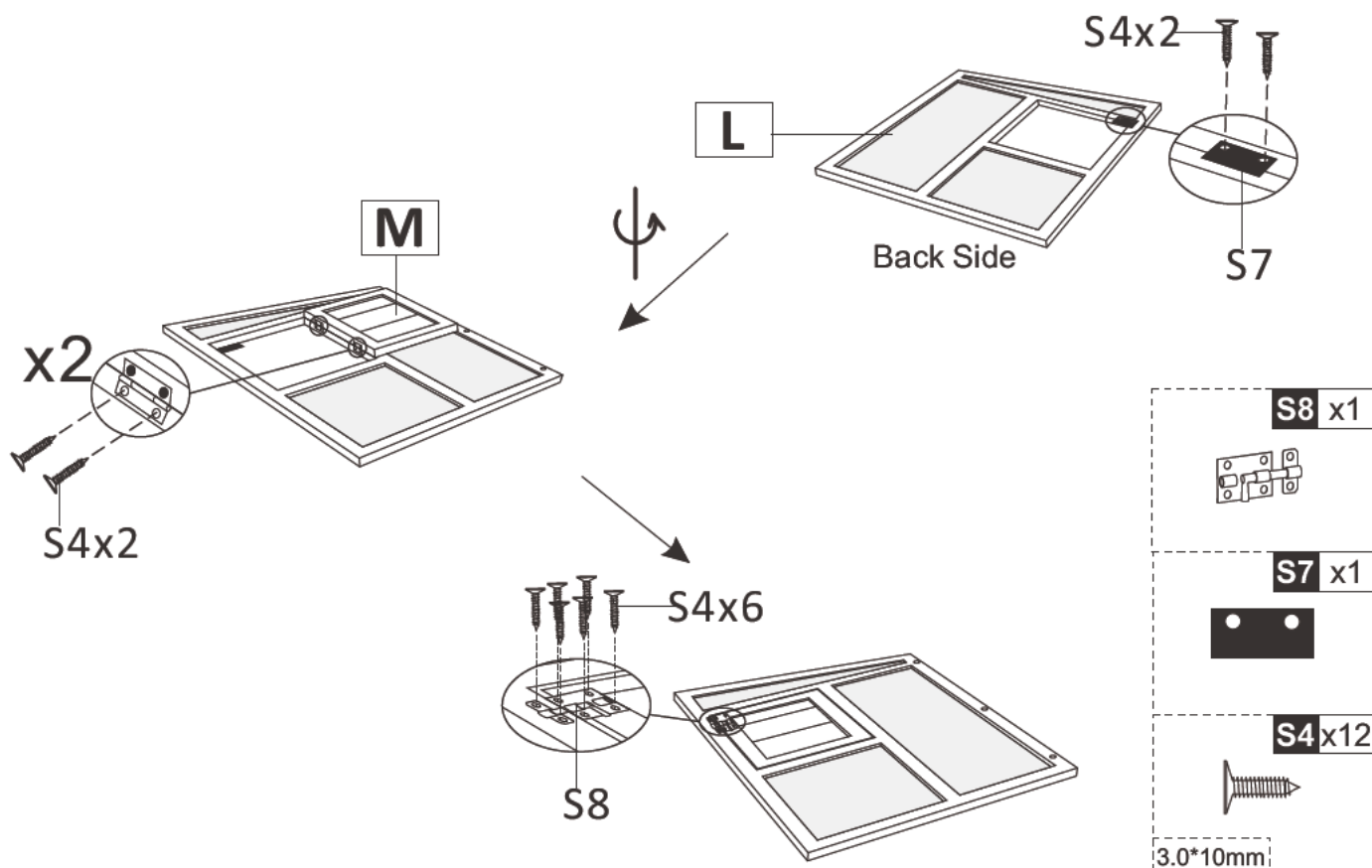
STEP 10



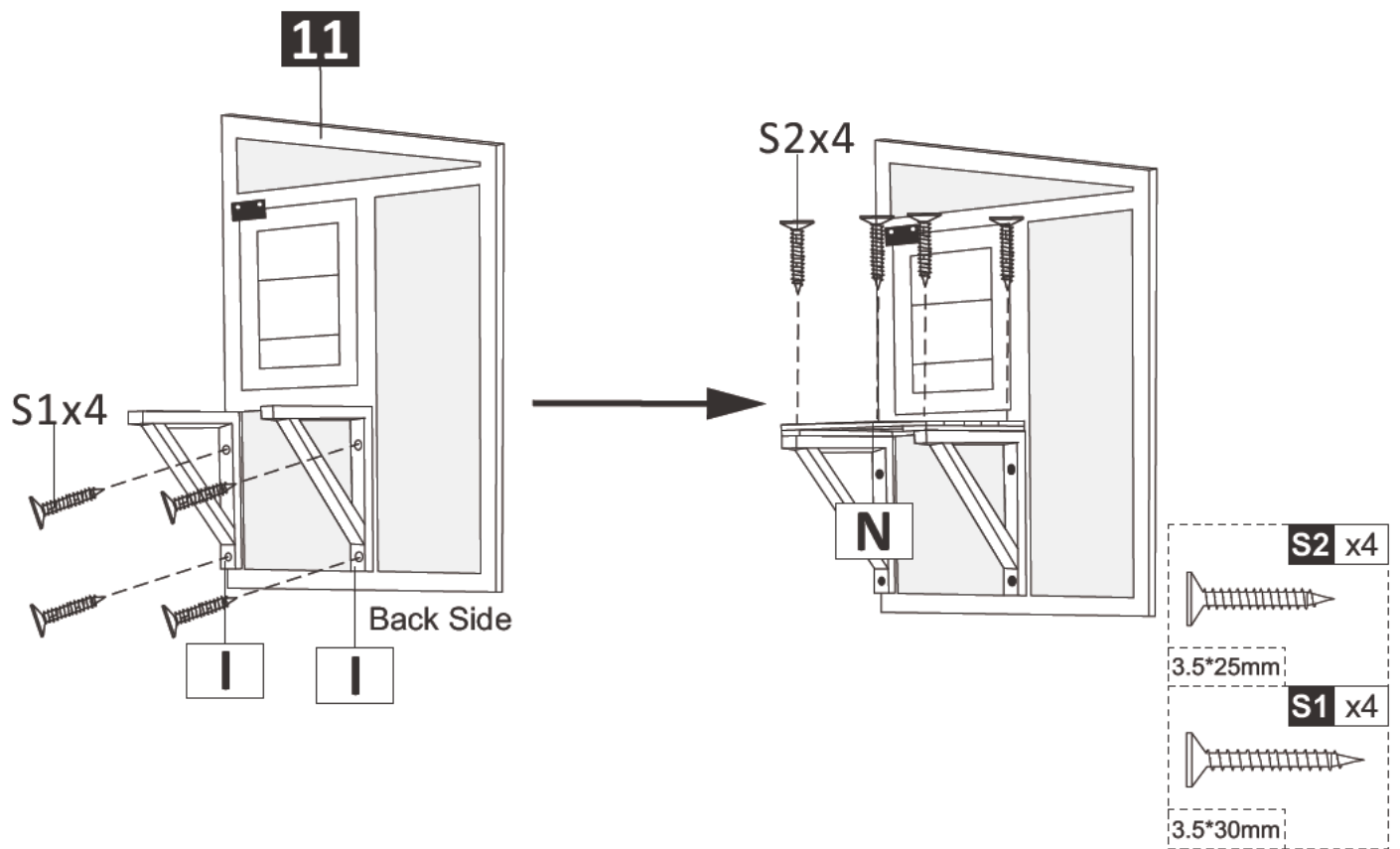
STEP 11



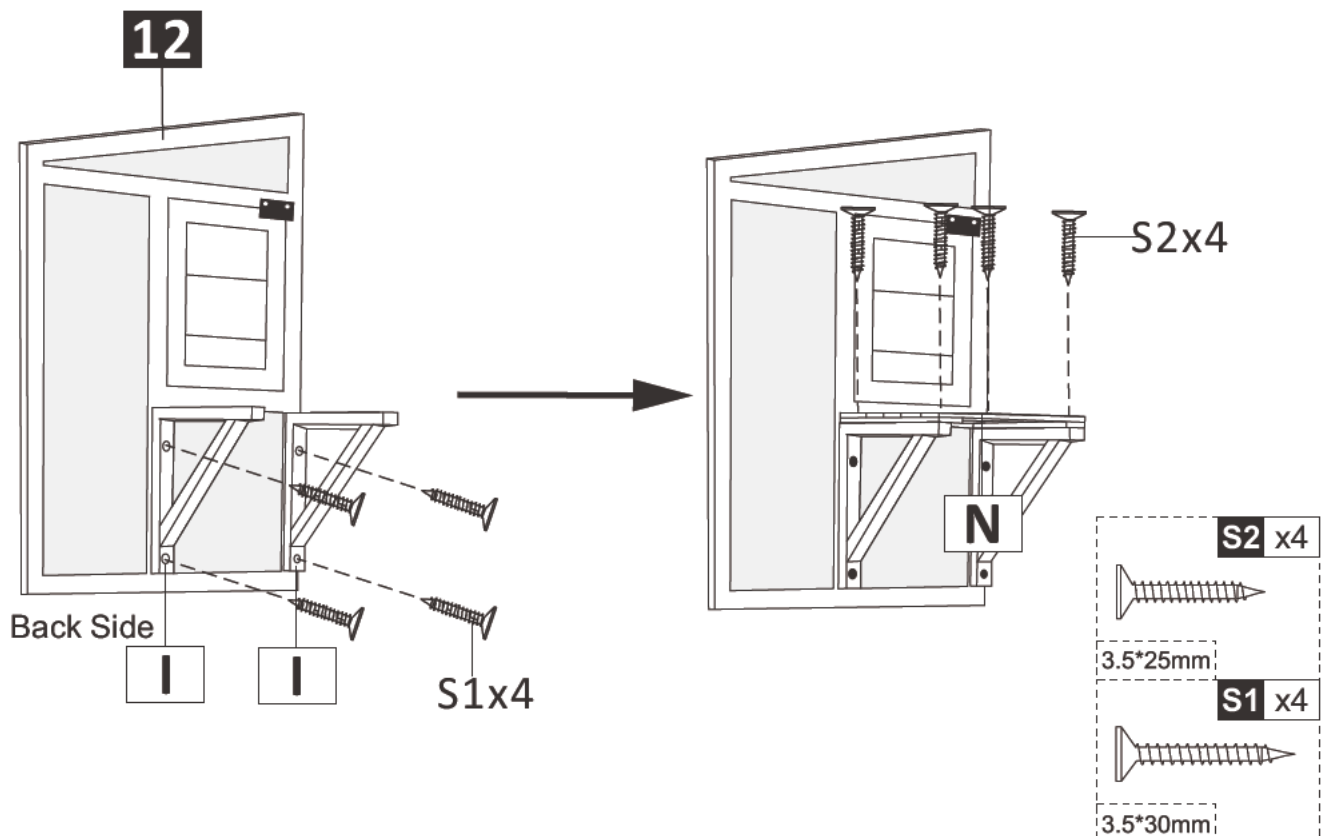
STEP 12



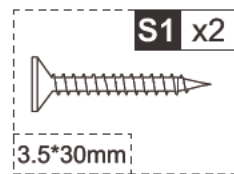
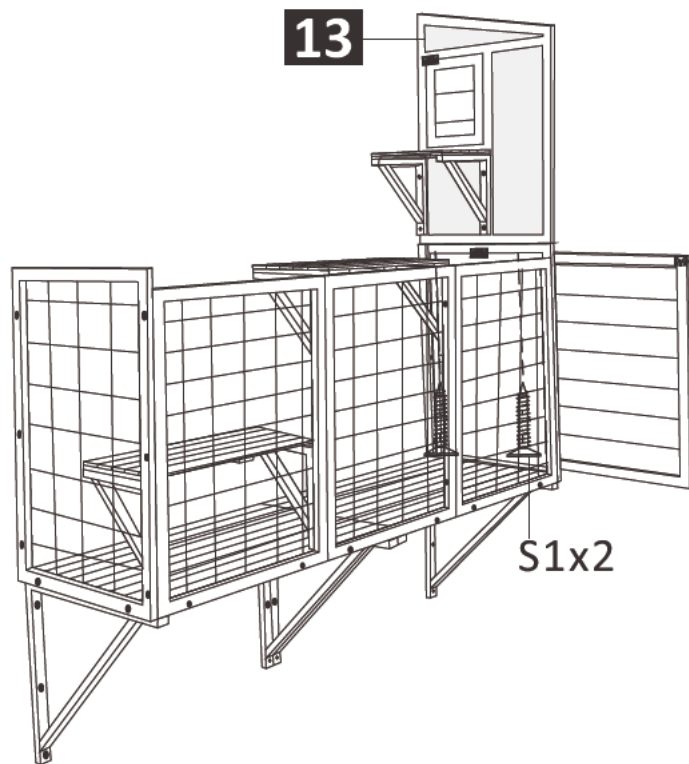
STEP 13



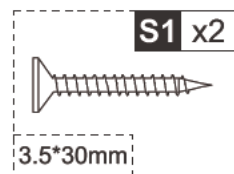
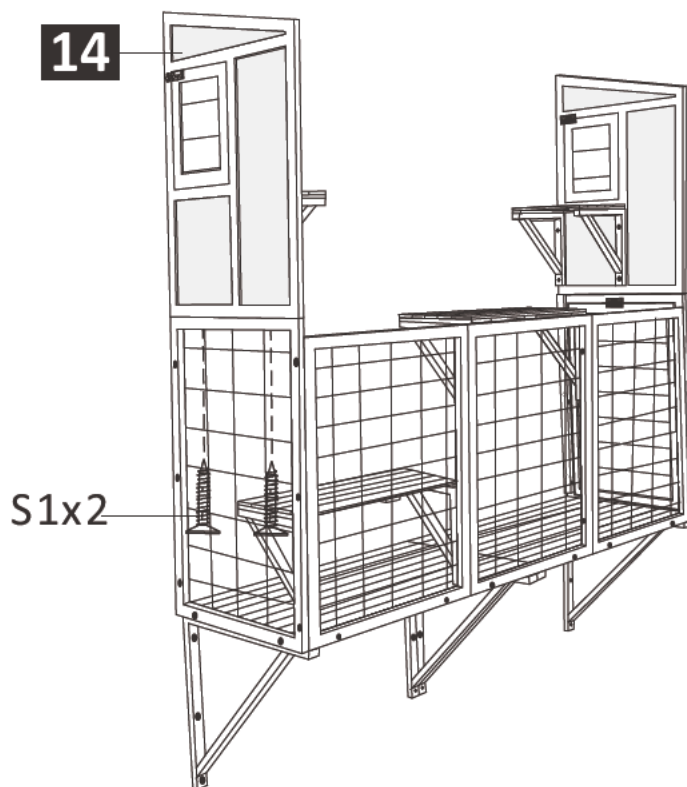
STEP 14



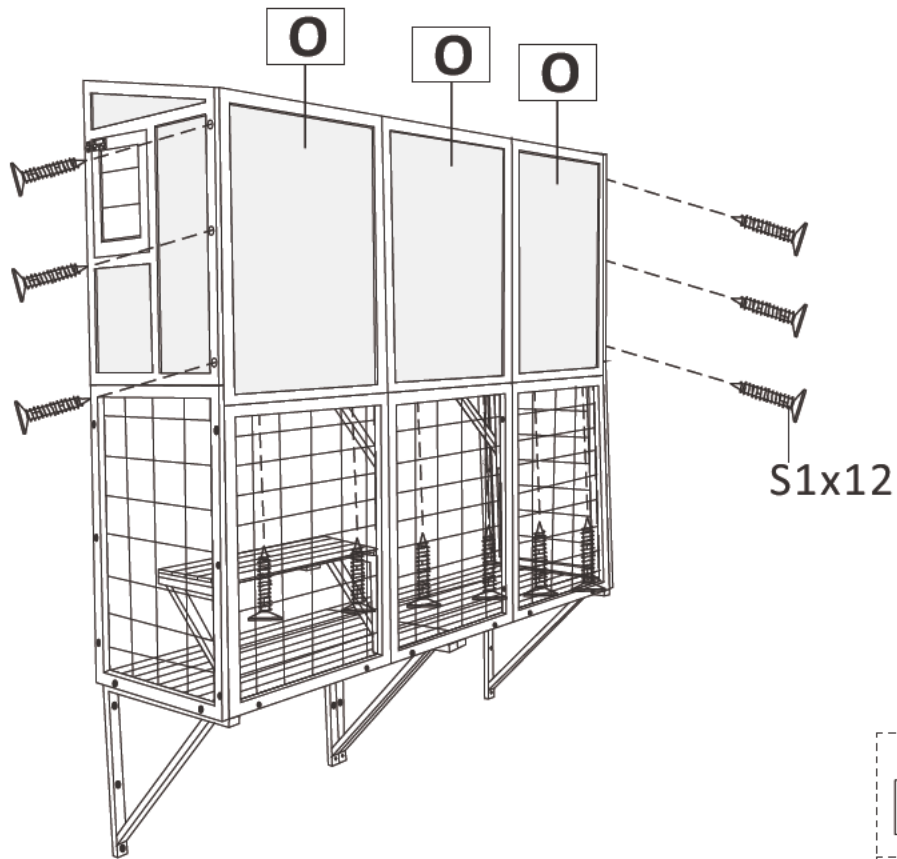
STEP 15



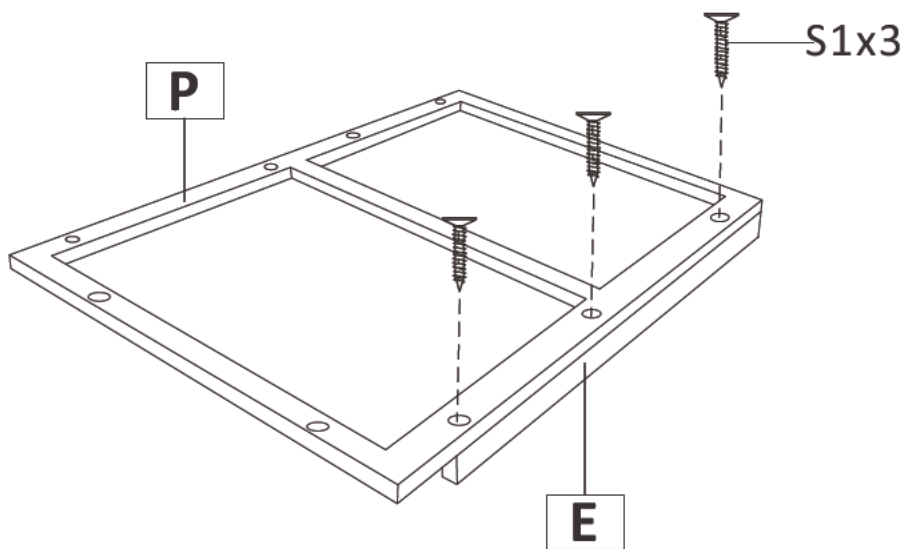
STEP 16



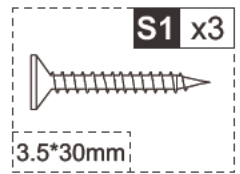
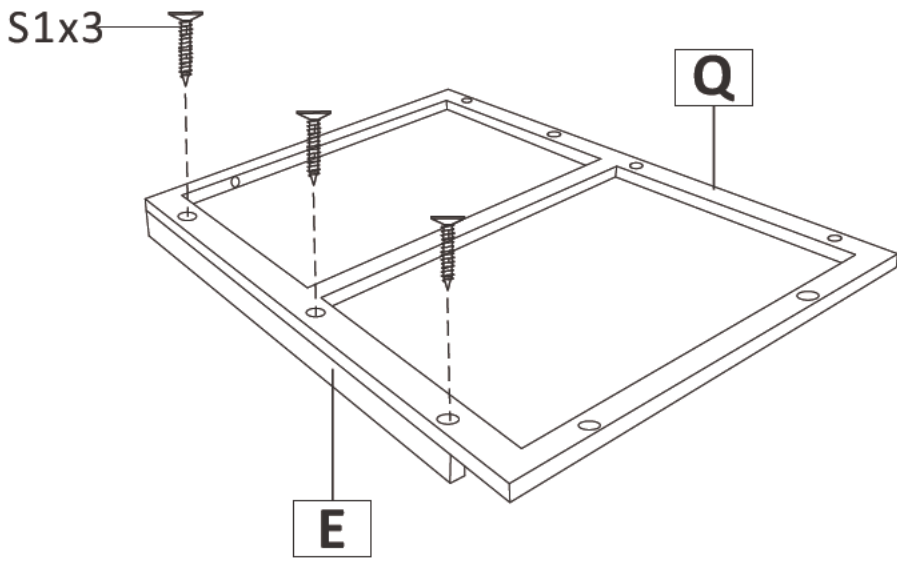
STEP 17



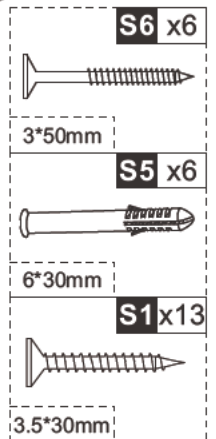
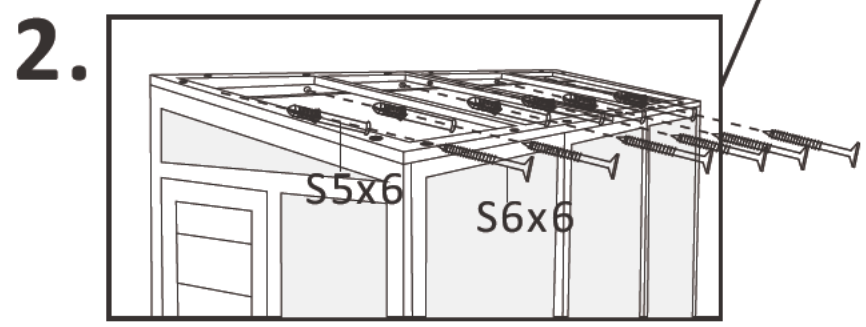
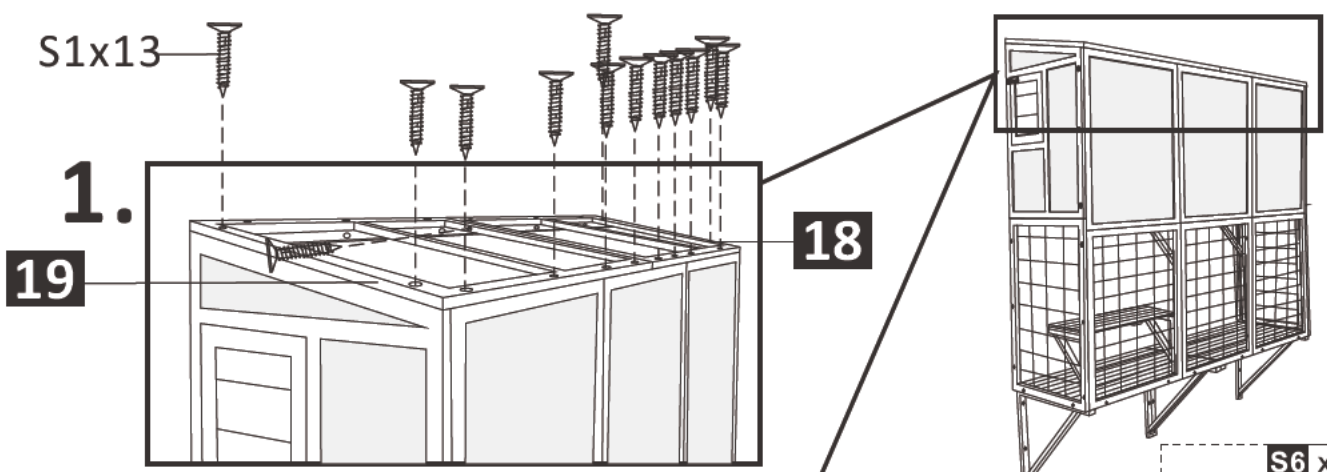
STEP 18



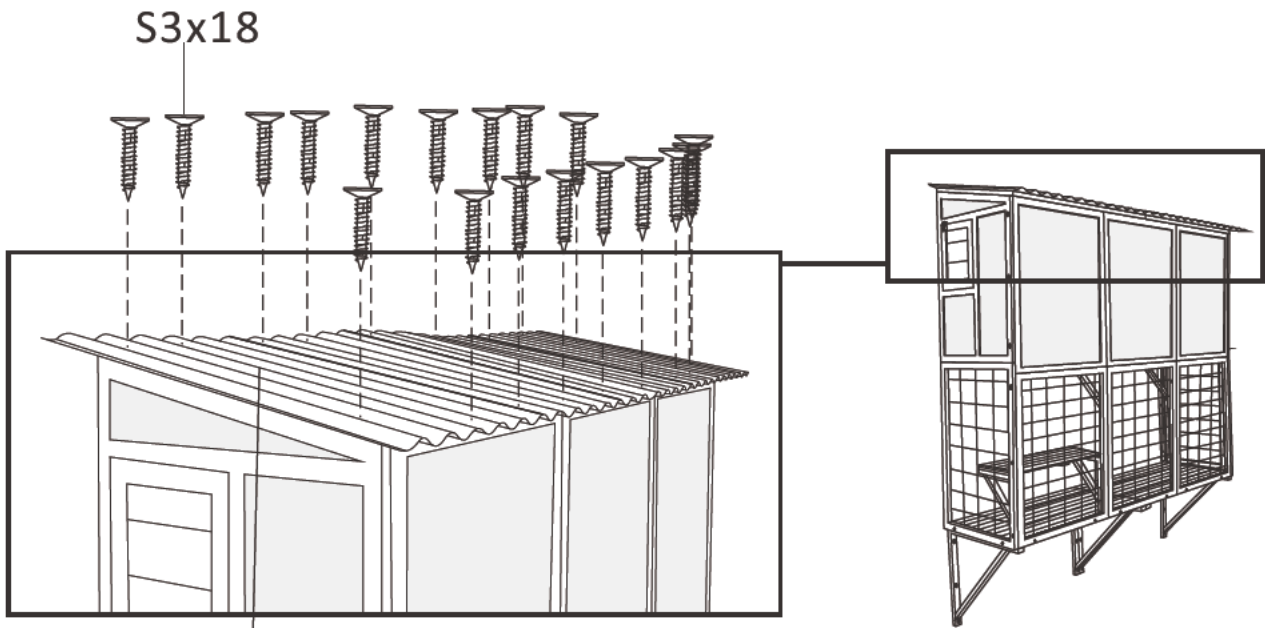
STEP 19



STEP 20

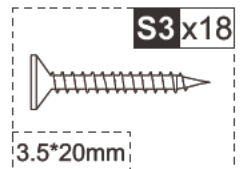


STEP 21

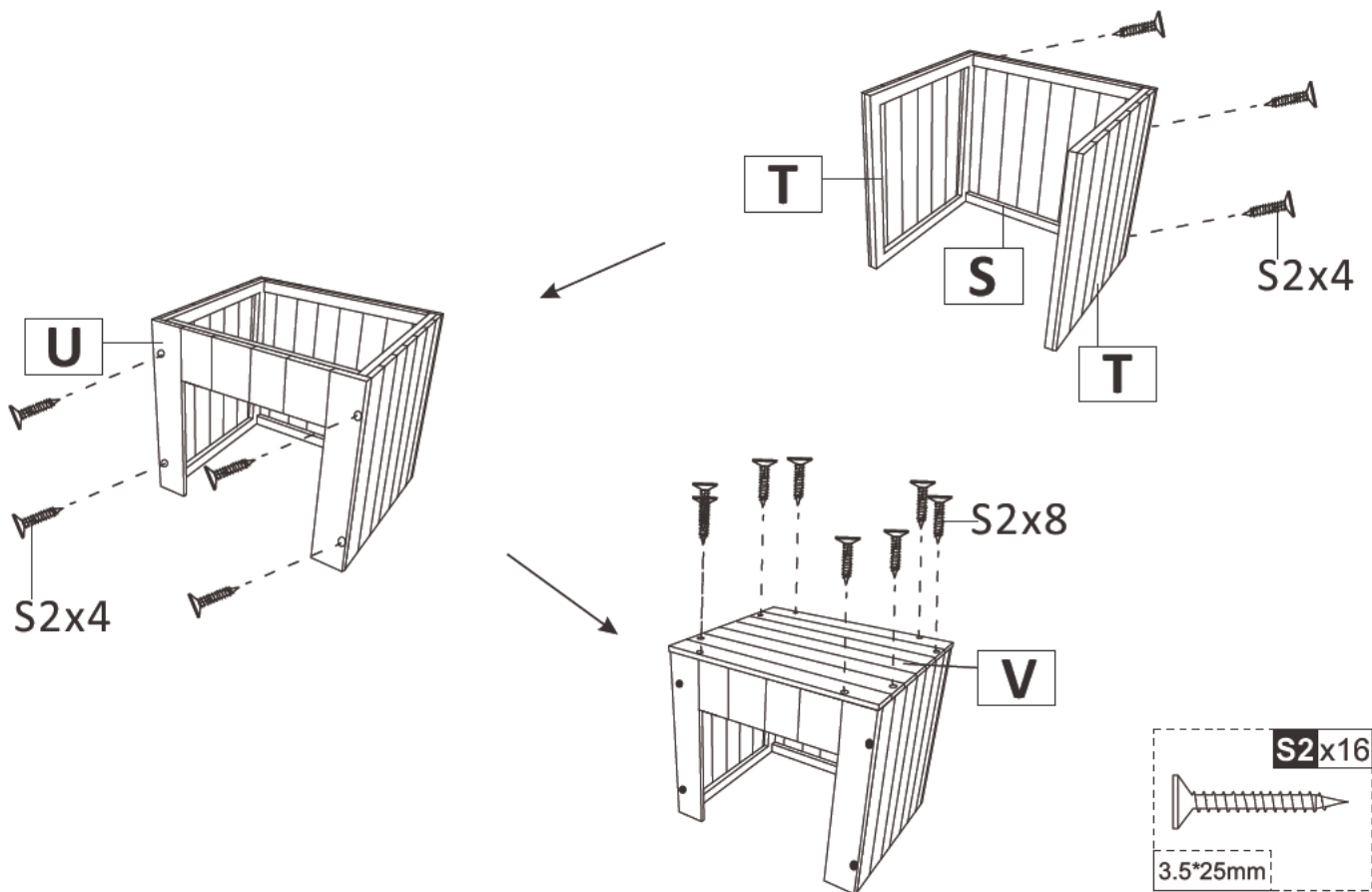


R x4

Plastic tiles are sharp.
Be careful not to cut yourself.



STEP 22



S2x16

3.5*25mm

STEP 23



Done

