

ASSEMBLY INSTRUCTIONS

SINGLE BIN STORE



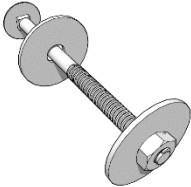

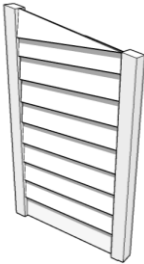

Before you commence the assembly process we recommend that you read these instructions thoroughly beforehand to familiarise yourself with the assembly process and to also check that you have the correct components. If for any reason you need assistance, you can find our contact details on the final page of these instructions.


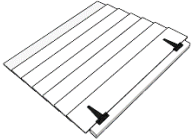

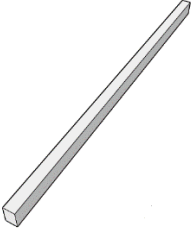
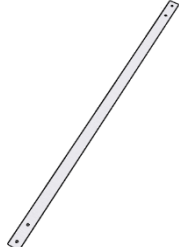

We highly recommend that any assembly is carried out on an open flat, level surface if possible with sufficient space.

Tools required:

10mm spanner/socket, No2 Pozidriv screwdriver (or electric driver), 2 x 25mm wooden spacer blocks (included).

Components

16 x 65mm, 2 x75mm screws	Latch keep & 10 black screws	Prop fixing	Left panel	Right panel	Back panel
					

Door	Lid assembly	Prop	Finishing strip	Metal bar	Chain
					

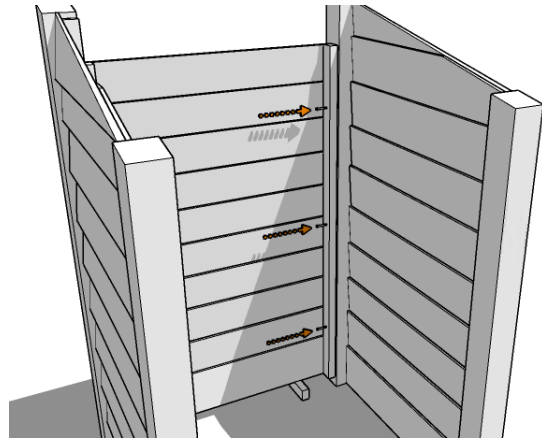
SINGLE BIN STORE

Step 1



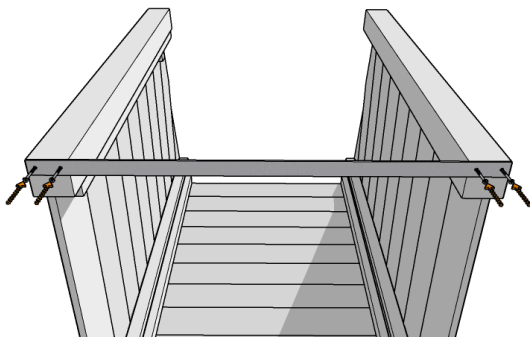
Begin by arranging the left panel (the one with the small wood block attached to the front post) and the back panel at 90° to each other, with the back panel raised up on the spacer blocks by approximately 25mm. Use 3 x 65mm screws to secure as shown.

Step 2



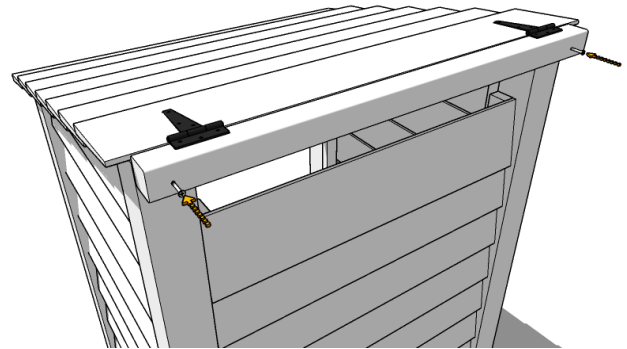
Now add the right hand panel, fixing in the same way with 3 x 65mm screws.

Step 3



Carefully lay the assembly on its back and attach the metal bar to the front bottom edge of the 2 front posts as shown, securing in place with 2 x 65mm screws per post.

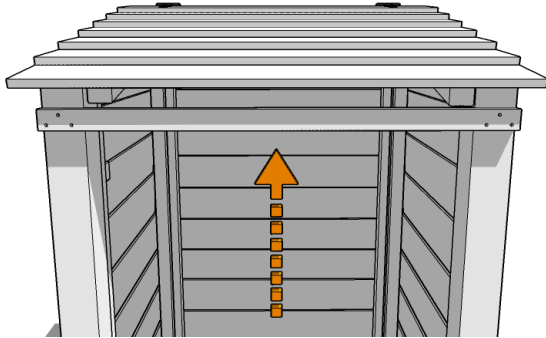
Step 4



Stand the assembly back up and lower the lid assembly into place so that the hinge bar is centred across the rear posts and fix into place with a 75mm screw into each post.

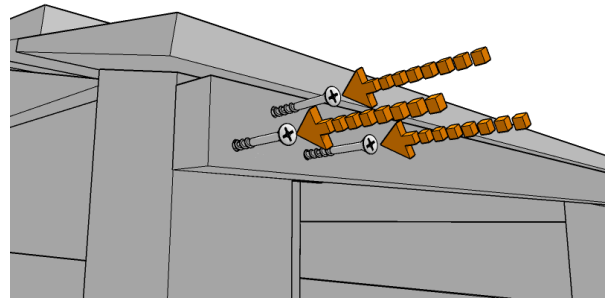
SINGLE BIN STORE

Step 5



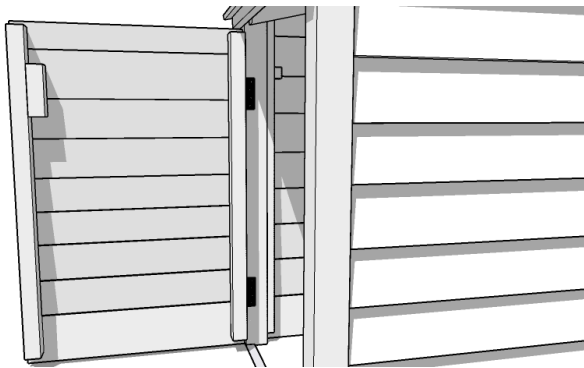
Returning to the front of the store, place the finishing strip against the 2 front posts as shown with the screw holes configured to create a triangle and slide it upwards...

Step 6



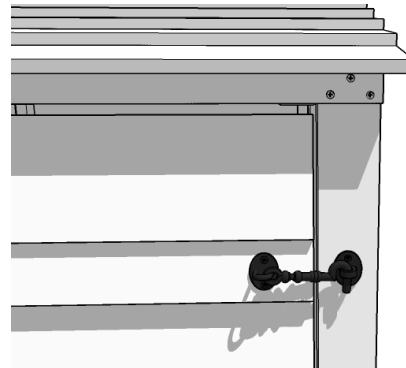
...until it is just touching the underside of the lid. Now fix both ends in place with 3 x 65mm screws per post.

Step 7



Align the door (hinge side on the left) so that the top edge clears the underside of the finishing strip by approx 10mm and each hinge leaf sits flat against the post with the knuckles resting against the front edge of the post. Secure the hinges in place using 8 x black screws.

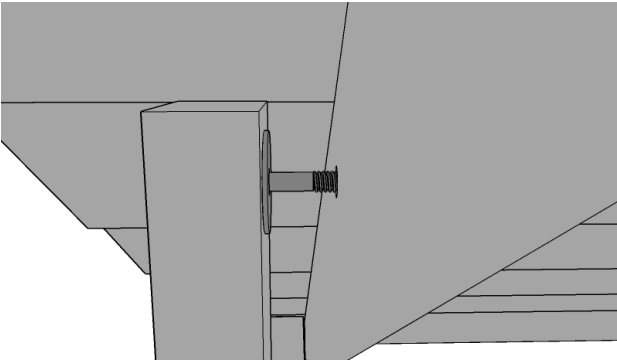
Step 8



Position the cabin latch keep on the post and aligned horizontally with the latch as shown. Secure in place with 2 x black screws.

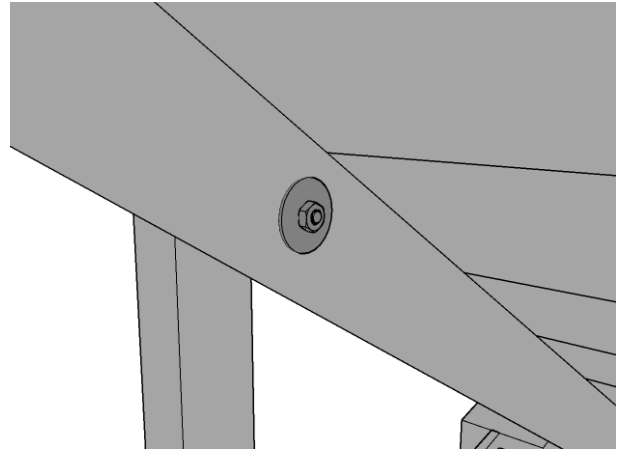
SINGLE BIN STORE

Step 9



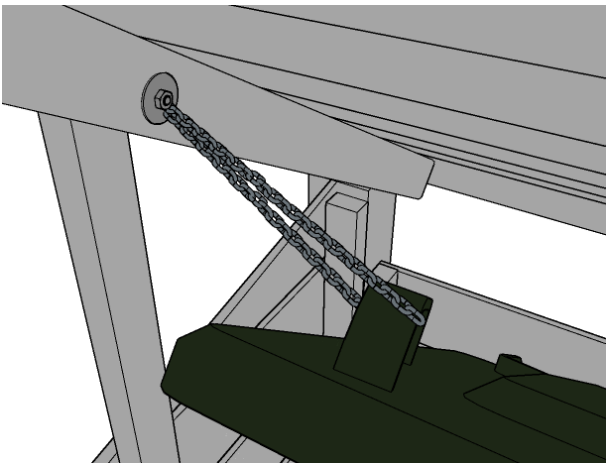
Take the coach bolt from the prop fixing and push it through the hole in the prop, add a washer and then push through the hole in the lid batten as shown.

Step 10



Place another washer over the coach bolt and finally the securing nut. Tighten with a spanner or socket until fully tight and then back off until the prop is able to swing freely.

Step 11



If your bin lid has a suitable handle you may use the chain provided to attached this to the store lid. Undo the nut and slip one end over the coachbolt, then pass other end through the handle and then over the end of the coach bolt, pulling chain through until it is tight enough. Now re-attach the nut.

Step 12



Your Single Bin Store is now complete.

We hope that you found your product quick and easy to assemble