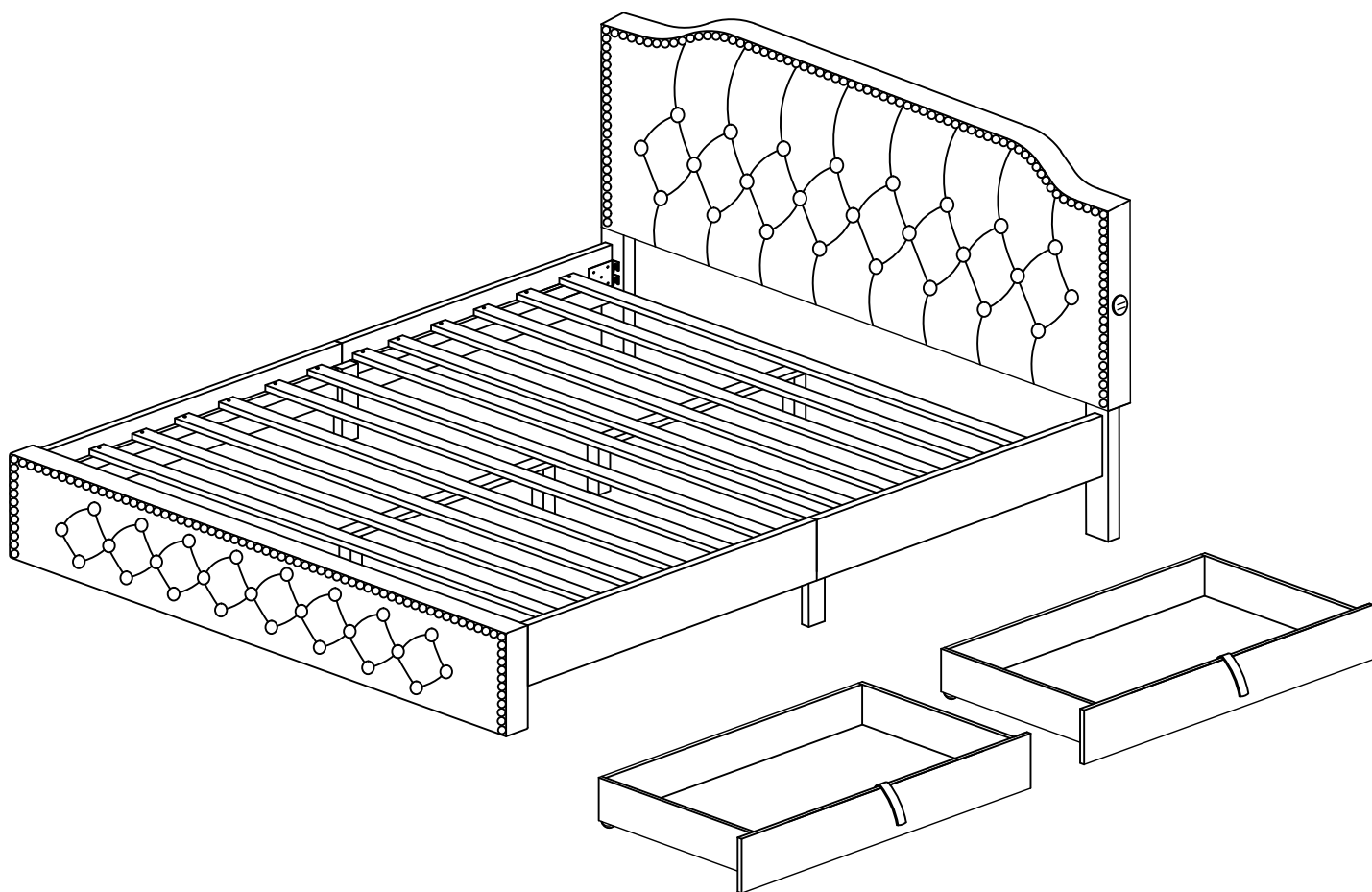
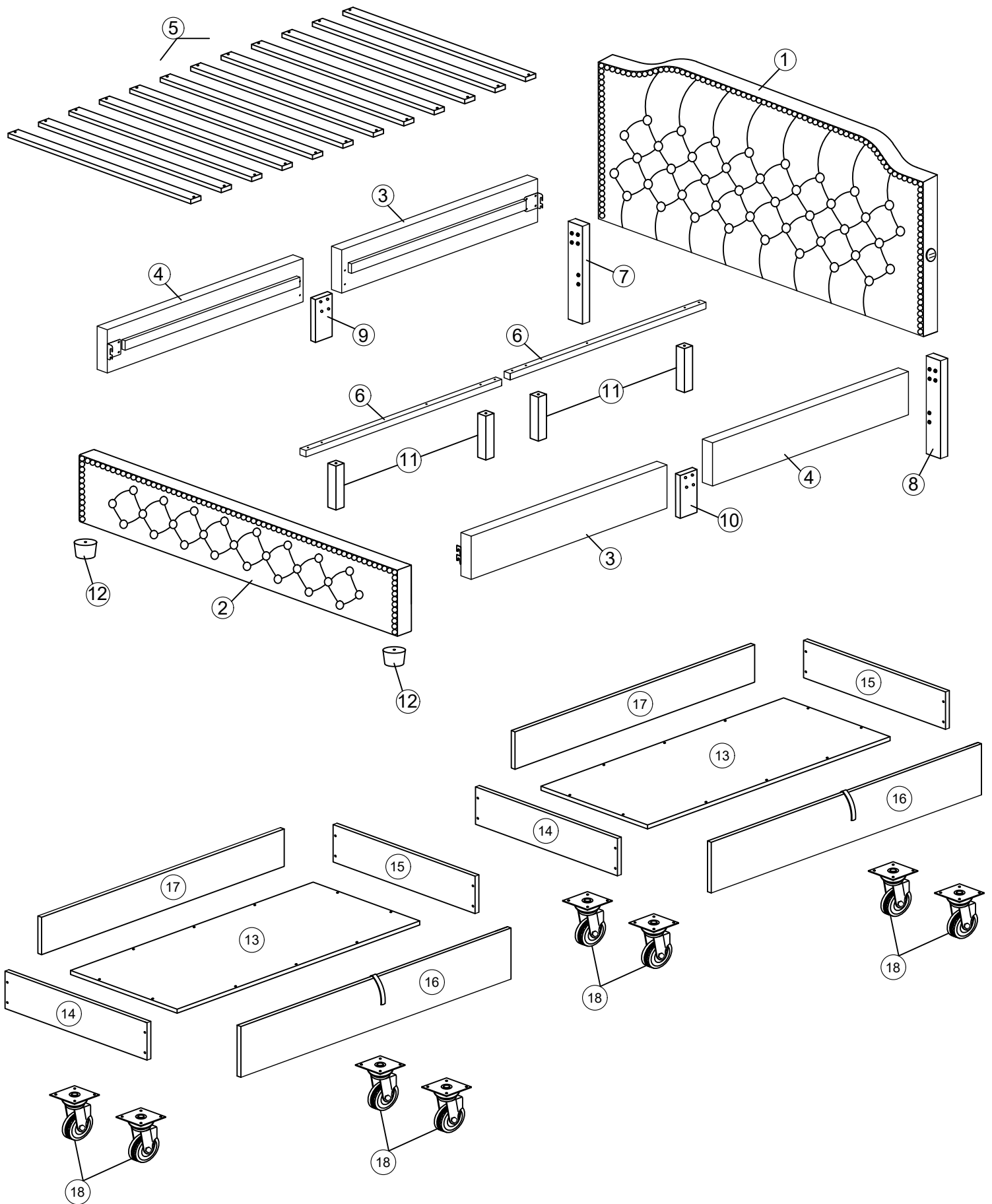


ASSEMBLY INSTRUCTION

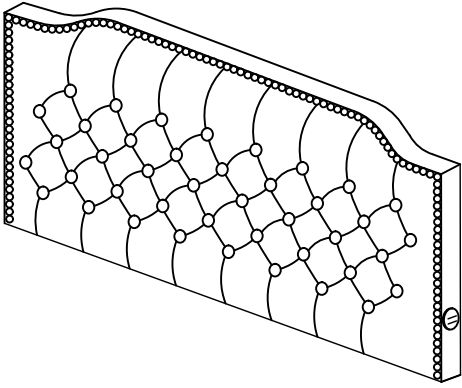


ASSEMBLY INSTRUCTION



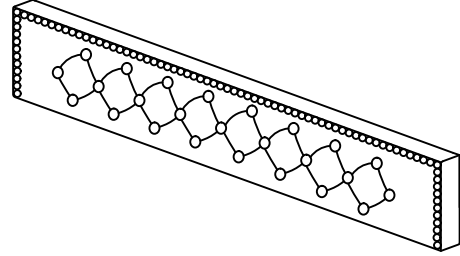
Part List (Box 1)

1



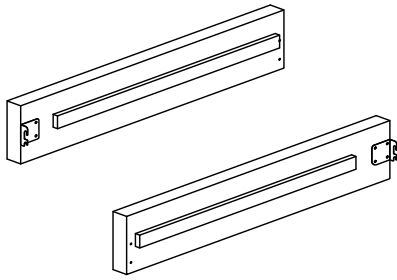
Headboard 1pc

2



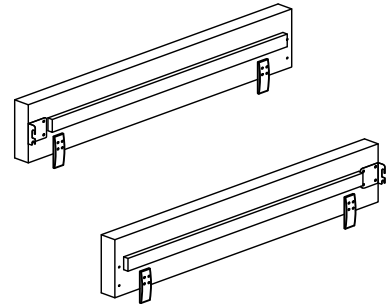
Footboard 1pc

3



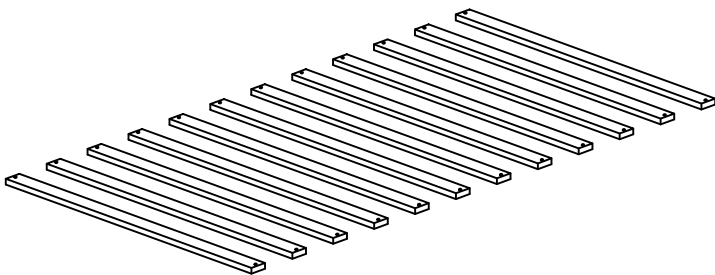
SidePanel (L) 2pcs

4



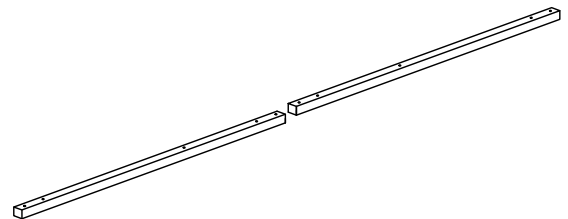
SidePanel (R) 2pcs

5



LVL Slats 12pcs

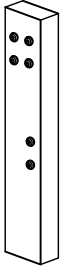
6



Center Wood 2pcs

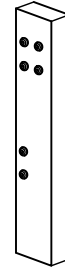
Part List (Box 1)

7



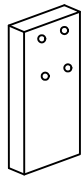
Headboard Leg (L) 1pc

8



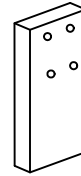
Headboard Leg (R) 1pc

9



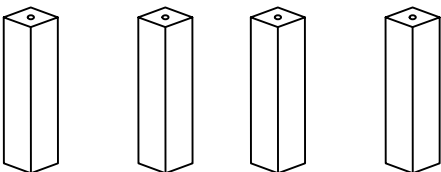
SidePanel
Center Leg (L) 1pc

10



SidePanel
Center Leg (R) 1pc

11



Center Legs 4pcs

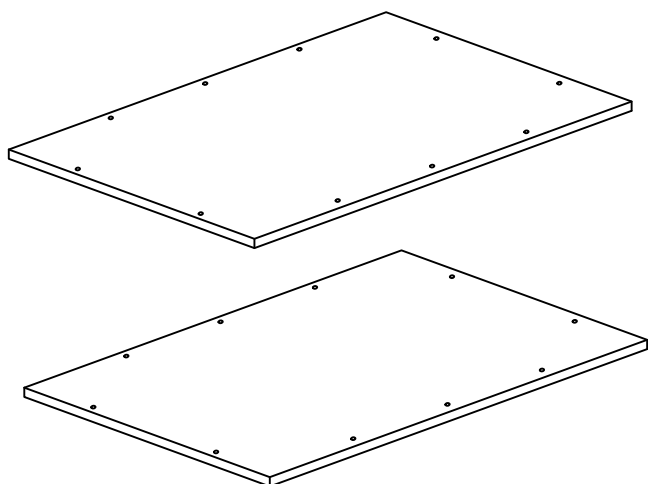
12



Footboard Legs 2pcs

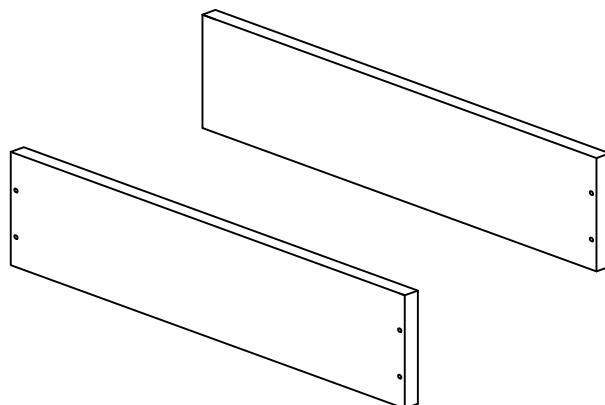
Part List (Box 2)

13



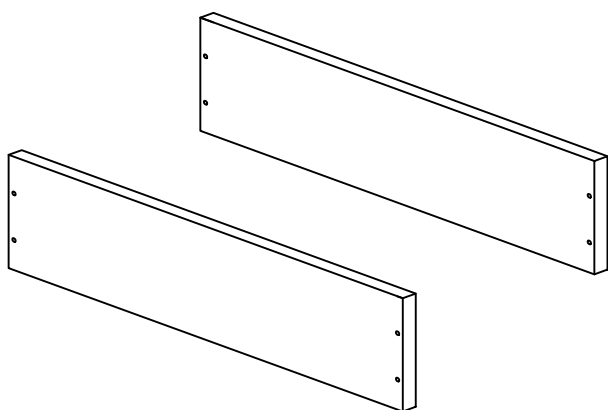
Drawer Bottom Panel 2pcs

14



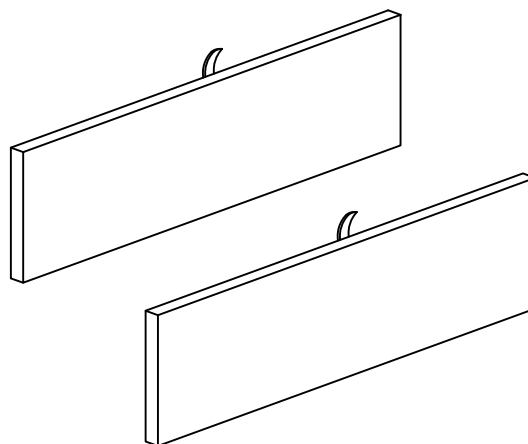
Drawer Side Panel (L) 2pcs

15



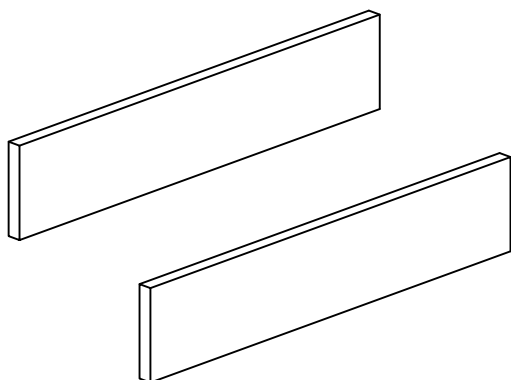
Drawer Side Panel (R) 2pcs

16



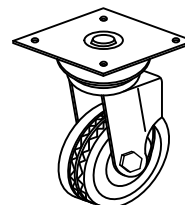
Drawer Front Panel 2pcs

17



Drawer Back Panel 2pcs

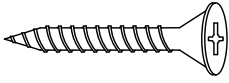
18



CASTER
NO LOCK 8 PCS

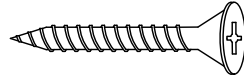
Hardware List (Box 1)

A



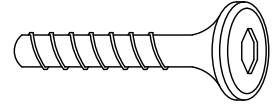
M4 X 32 MM
Chipboard Screw 24 pcs

B



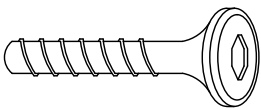
M4 X 45 MM
Chipboard Screw 2 pcs

C



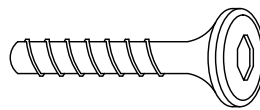
M6 X 25 MM
JCBC Screw 8 pcs

D



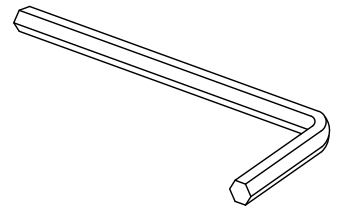
M6 X 30 MM
JCBC Screw 8 pcs

E



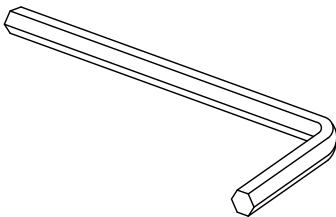
M6 X 45 MM
JCBC Screw 10 pcs

F



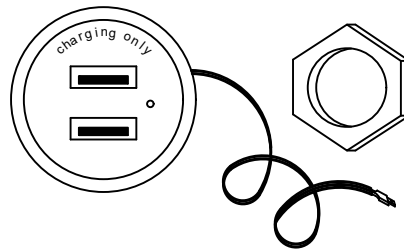
M4
Allen Key 1 pc

G

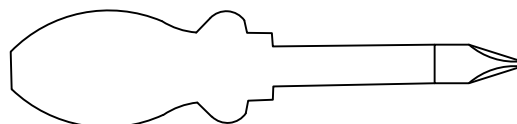


M5
Allen Key 1 pc

H



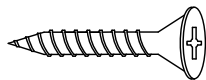
USB 2 pcs



ASSEMBLY TOOLS REQUIRED (NOT INCLUDED)

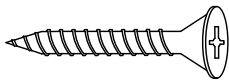
Hardware List (Box 2)

A

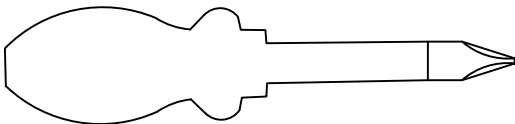


M4 X 16 MM
Chipboard Screw 32pcs

B



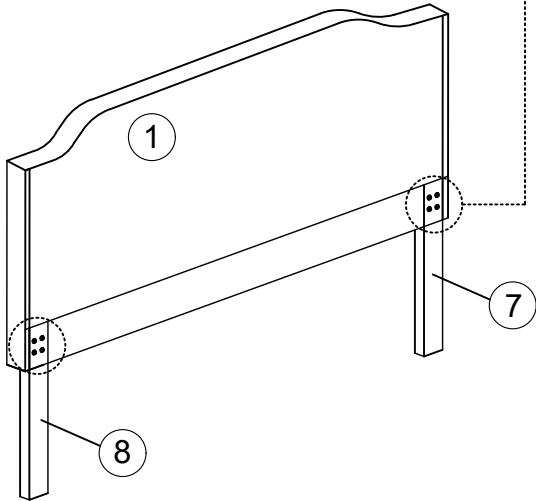
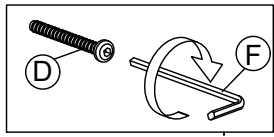
M4 X 32 MM
Chipboard Screw 36 pcs



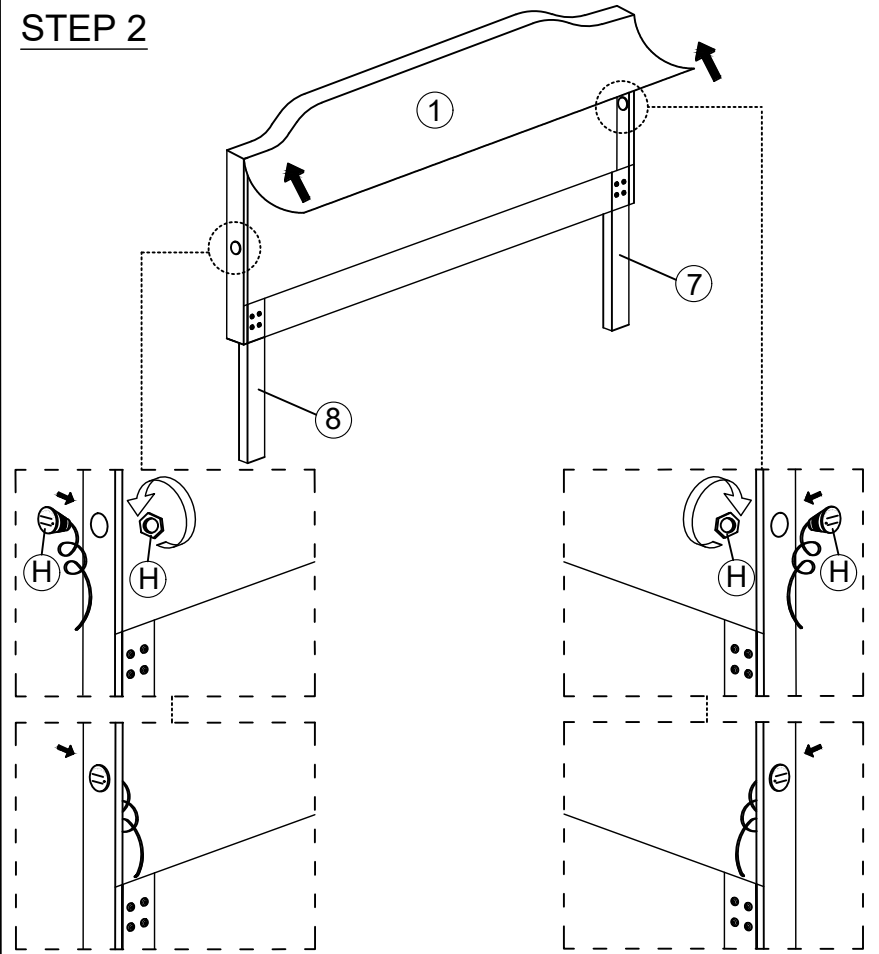
ASSEMBLY TOOLS REQUIRED (NOT INCLUDED)

ASSEMBLY INSTRUCTION

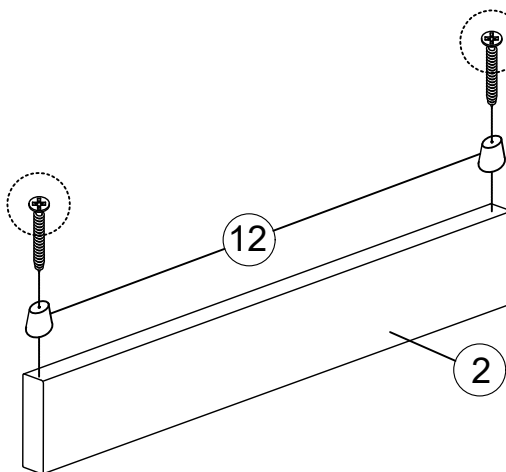
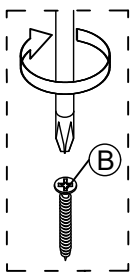
STEP 1



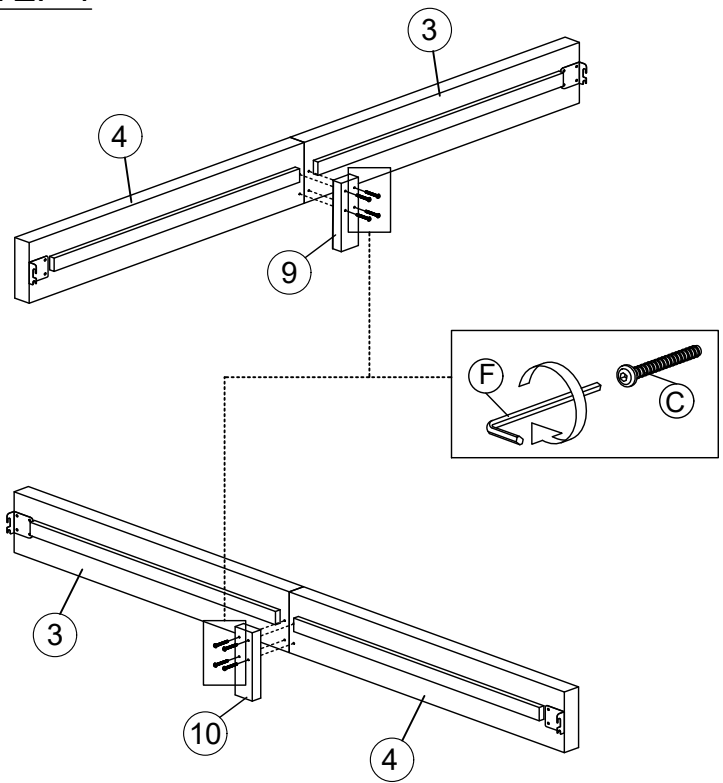
STEP 2



STEP 3

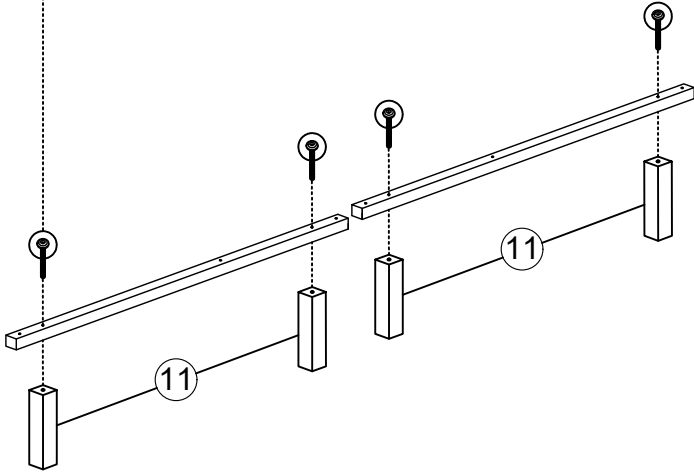
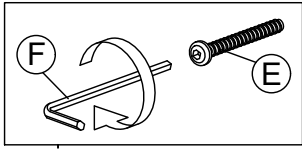


STEP 4

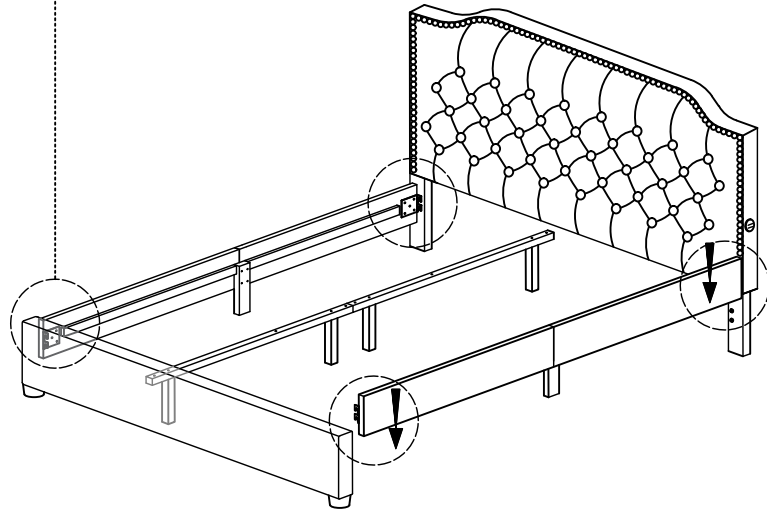
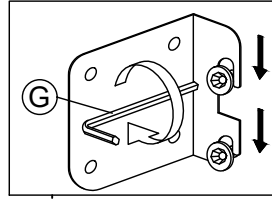


ASSEMBLY INSTRUCTION

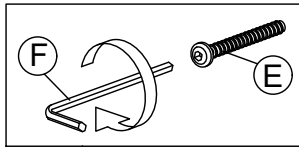
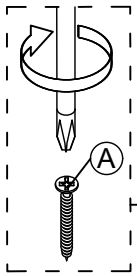
STEP 5



STEP 6

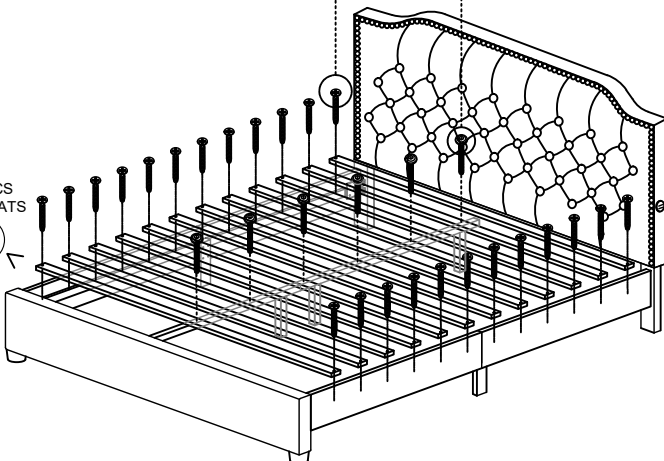


STEP 7

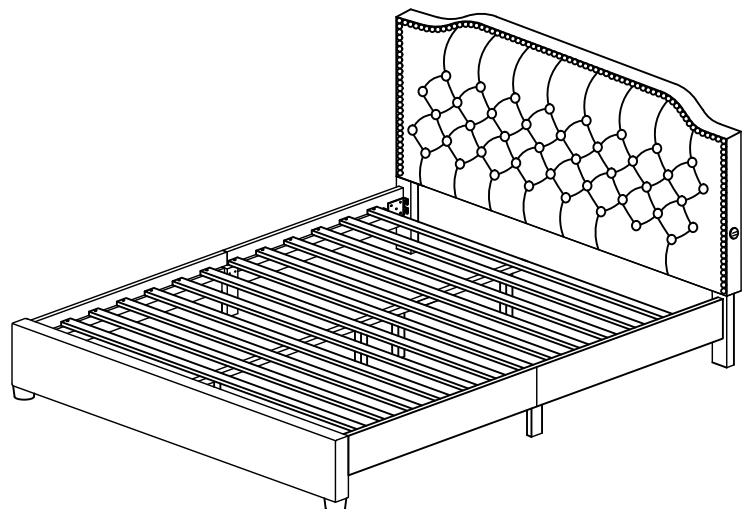


12 PCS
LVL SLATS

5

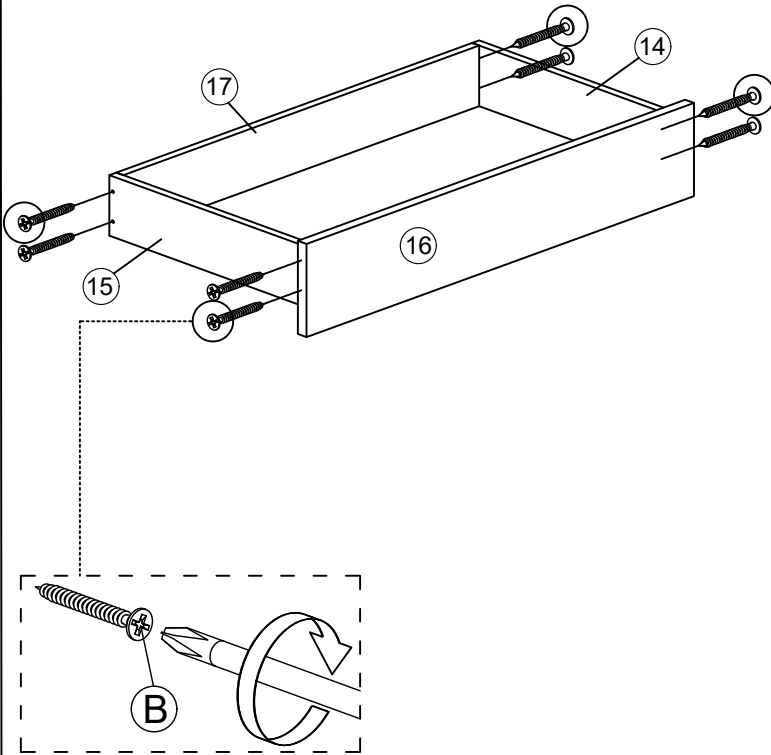


COMPLETE

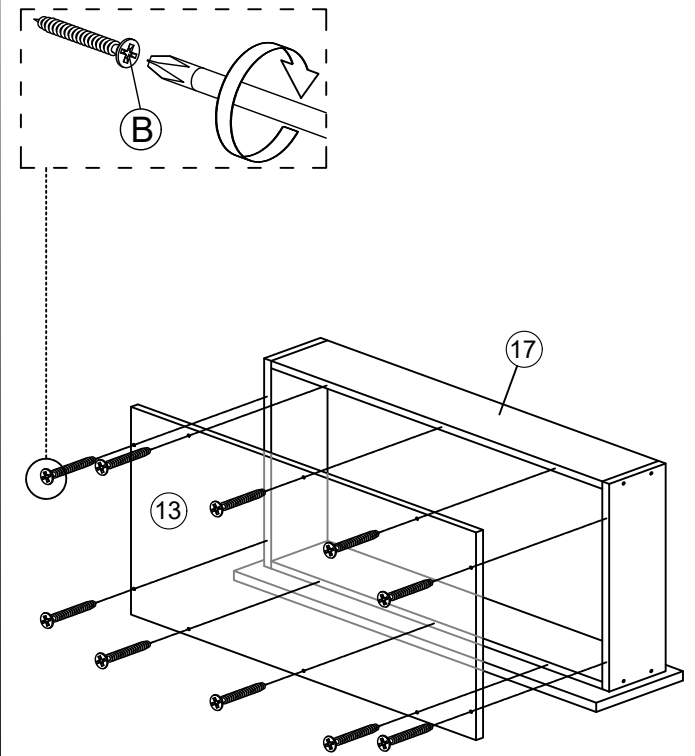


ASSEMBLY INSTRUCTION

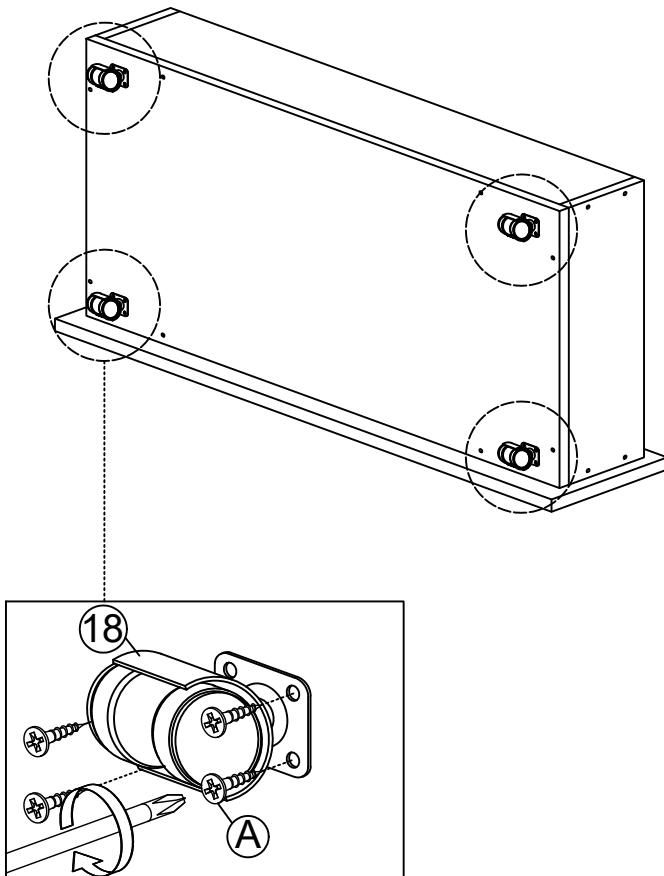
STEP 8



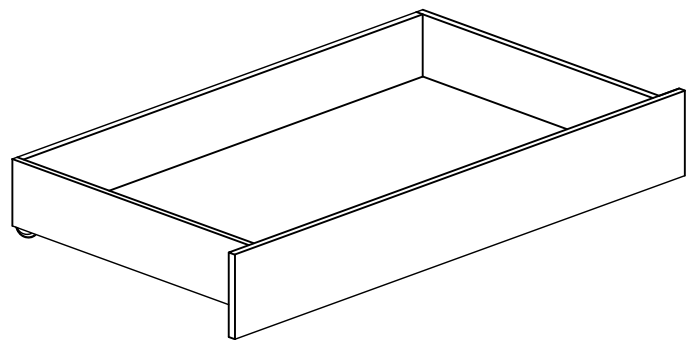
STEP 9



STEP 10



COMPLETE



FULLY COMPLETED ASSEMBLY

