



The Garden Bed with Casters

Engrow's® TrueSoil® Technology Inside

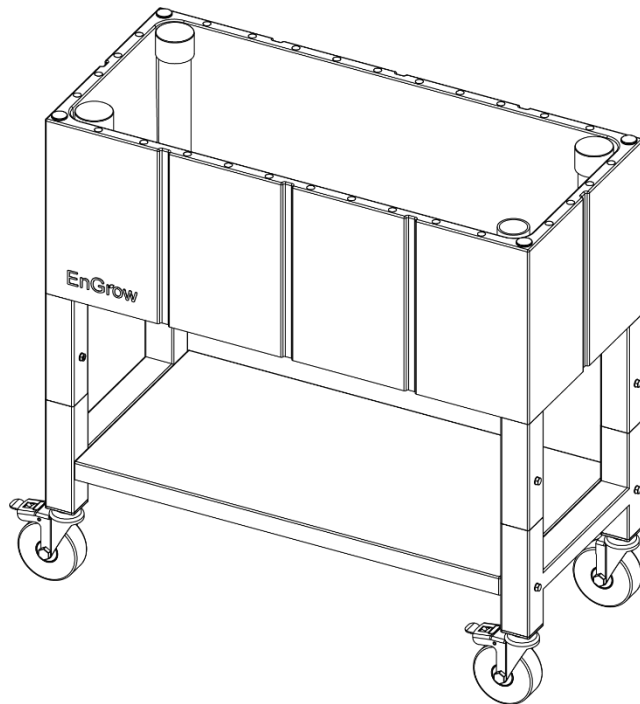
Use and Care Guide

Model Numbers:

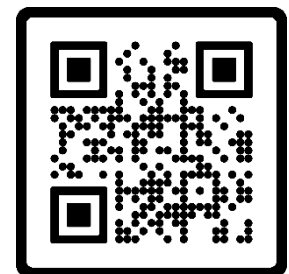
BR-TN-R1

BR-GN-R1

IMPORTANT: RETAIN FOR FUTURE REFERENCE. READ CAREFULLY.



Scan QR code for video assembly instructions



Thank you for purchasing The Garden Bed from EnGrow®.
We hope you enjoy your product.

If you have any questions, please email us at support@engrow.ag anytime, or visit www.engrow.ag.



Table of Contents

Important Information	2
Production Information	3
Parts List	4
Included Parts Picture Ref Guide	5
Hardware	6
Configuration Options	7
Configuration A – 22-Inch	8
Configuration B – 31-Inch	13
Configuration C – 40-Inch	20
Care & Maintenance	28
Limited Warranty Information	28

Important Information

Thank you for your purchase of The Garden Bed. We hope you enjoy using our product.

- Please take the time to read these instructions and follow each step carefully to ensure safe operation.
- Please contact our customer support at support@engrow.ag if you have any questions.
- Please keep this manual for future reference.

CAUTION:

1. Only use provided tools, use of power tools could damage the product.
2. Remove all components, hardware, and tools from the box before assembly. Inventory and separate all the hardware and included components.
3. Please consider recycling all applicable packaging materials.



Product Information

This elevated garden bed is made of heavy-duty food-grade plastic. It contains EnGrow's® TrueSoil® Technology, which was designed to maximize the health of your soil. How do we do this? Oxygen.

- I. **Outer Construction:** A solid, food-grade plastic tub to contain your soil. Heavy duty legs of differing sizes to allow for multiple height configurations. Commercial-grade casters for easy movement, even when full of soil and plants.

- II. **What is TrueSoil® Technology?**
TrueSoil® Technology is the system within our garden bed that ensures an optimal level of oxygen is always present in your soil. It helps roots stay healthy, prevents overwatering, and boosts beneficial microbial activity in your soil. Maintaining this soil can take a little work, but in return, you will get highly resilient plants that thrive.

- III. **TrueSoil® Technology Components:**
 - **EcoChamber™:** The open-air space below the Soil Platform that allows fresh oxygen to naturally flow and exit out of the EcoTubes™. This process helps maintain the aerobic environment at the base of the soil.

 - **Soil Platform:** Supports the soil and creates the EcoChamber™ beneath it. The uniformly distributed holes allow proper drainage to prevent water channeling and dry spots within the soil.

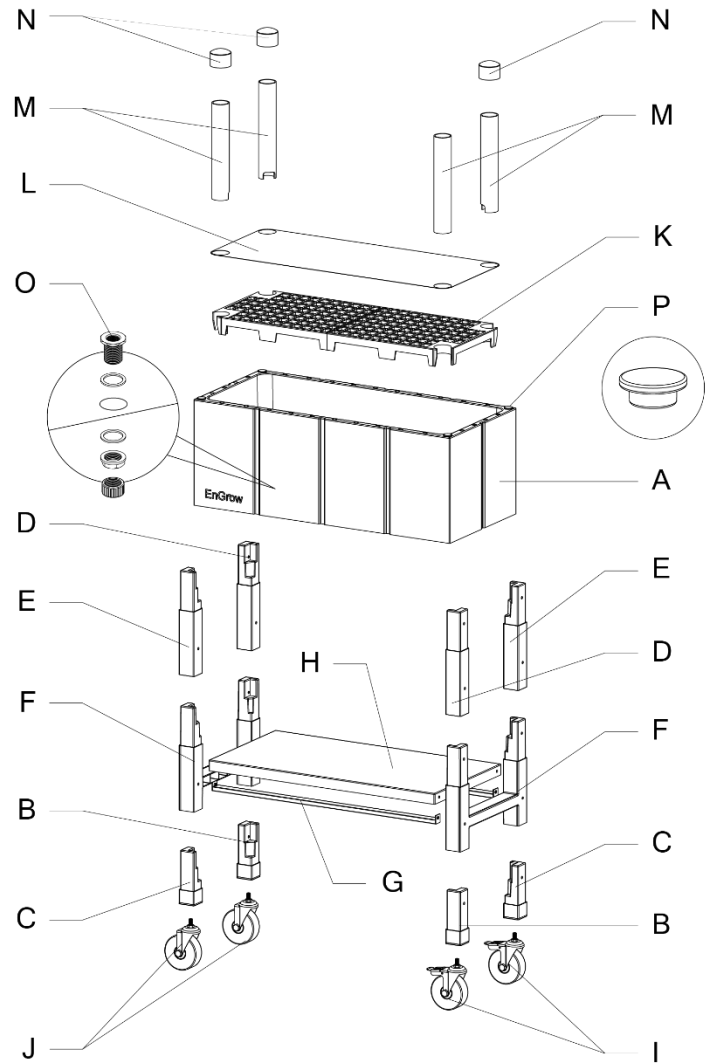
 - **Landscape Fabric:** Allows fresh air to pass through while preventing the soil from entering the EcoChamber™.

 - **EcoTubes™:** Allows fresh air to naturally flow through and exhaust the EcoChamber™. (**NOTE:** Never fill the EcoTubes™ with water!)

- IV. **Patented Technology:** Patent No.: US 11,297,779 B1

Parts List

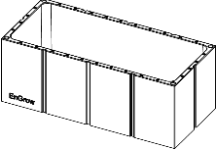
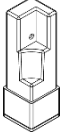
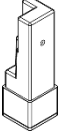
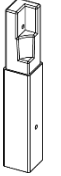
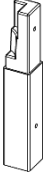
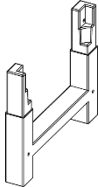

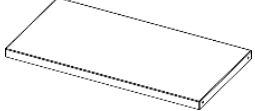
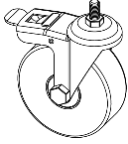
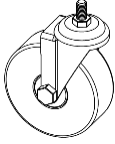
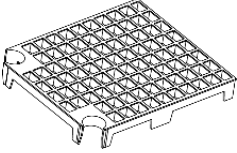
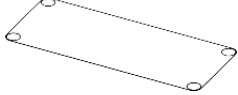

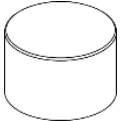
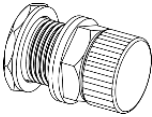

	Description	Part #	Qty.
A	Soil Container (Leaf)	300100	1
	Soil Container (Stone)	300101	
B	Short Leg Type 1 (Leaf)	300200	2
	Short Leg Type 1 (Stone)	300201	
C	Short Leg Type 2 (Leaf)	300202	2
	Short Leg Type 2 (Stone)	300203	
D	Long Leg Type 1 (Leaf)	300300	2
	Long Leg Type 1 (Stone)	300301	
E	Long Leg Type 2 (Leaf)	300302	2
	Long Leg Type 2 (Stone)	300303	
F	Shelf Support Legs (Leaf)	300400	2
	Shelf Support Legs (Stone)	300401	
G	Support Bars	300500	2
H	Storage Shelf (Leaf)	300600	1
	Storage Shelf (Stone)	300601	
I	Casters with Brake	300700	2
J	Casters without Brake	300701	2
K	Soil Platform	300800	2
L	Landscaping Fabric	300900	1
M	EcoTubes™	400000	4
N	EcoTube Caps	400001	3
O	Drain Plug	400100	1
P	Trellis Hole Cap	400200	4
AA	M8x70 Bolt	600000	4
BB	M8x75 Bolt	600001	4
CC	Washers	600002	12
DD	Nuts	600003	4
EE	M16 Wrench	600004	1
FF	M13 Wrench	600005	2



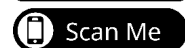
If you are missing any parts or have damaged parts, please email support@engrow.ag.

Included Parts Picture Reference Guide

Letters below correspond to the parts list on the previous page.

<p>A) Soil Container</p>  <p>x1</p>	<p>B) Short Leg Type 1</p>  <p>x2</p>	<p>C) Short Leg Type 2</p>  <p>x2</p>	<p>D) Long Leg Type 1</p>  <p>x2</p>
<p>E) Long Leg Type 2</p>  <p>x2</p>	<p>F) Shelf Support Legs</p>  <p>x2</p>	<p>G) Support Bars</p>  <p>x2</p>	<p>H) Storage Shelf</p>  <p>x1</p>
<p>I) Casters with Brake</p>  <p>x2</p>	<p>J) Casters without Brake</p>  <p>x2</p>	<p>K) Soil Platform</p>  <p>x2</p>	<p>L) Landscaping Fabric</p>  <p>x1</p>
<p>M) EcoTubes™</p>  <p>x4</p>	<p>N) EcoTube Caps</p>  <p>x3</p>	<p>O) Drain Plug</p>  <p>x1</p>	<p>P) Trellis Hole Cap</p>  <p>x4</p>

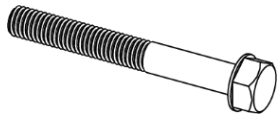
Scan the QR code below for video instructions on how to put The Garden Bed together! Or as a reference as you follow this manual. Read through this manual to the end for the care manual.



Hardware

The following hardware is provided in a poly bag.

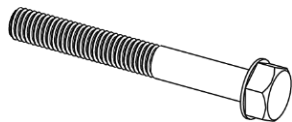
M8x70 Bolt: 4 Pieces (AA)



Nuts: 4 Pieces (DD)



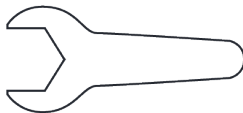
M8x75 Bolt: 4 Pieces (BB)



Washers: 12 Pieces (CC)



Tools Included:



**M16 Wrench:
1 Piece (EE)**



**M13 Wrench:
2 Pieces (FF)**

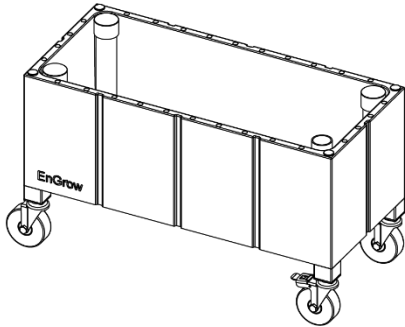
Tools

The following tools are provided and required for assembly:

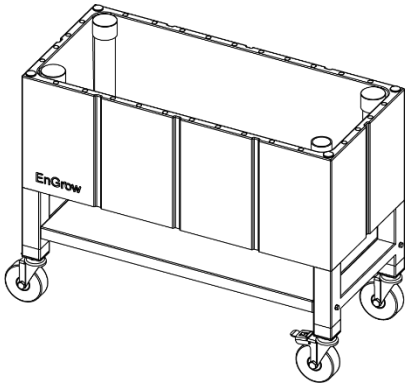
- Smaller M13 wrench (FF) for bed construction bolts.
- Larger M16 wrench (EE) for tightening casters.

Configuration Options

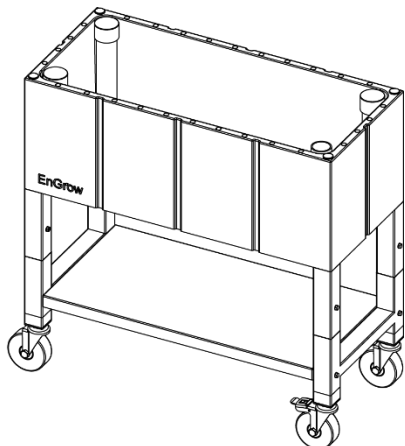
Configuration A: Lowest Height, 22-inch off the ground



Configuration B: Medium Height, 31-inch off the ground



Configuration C: Tall Height, 40-inch off the ground

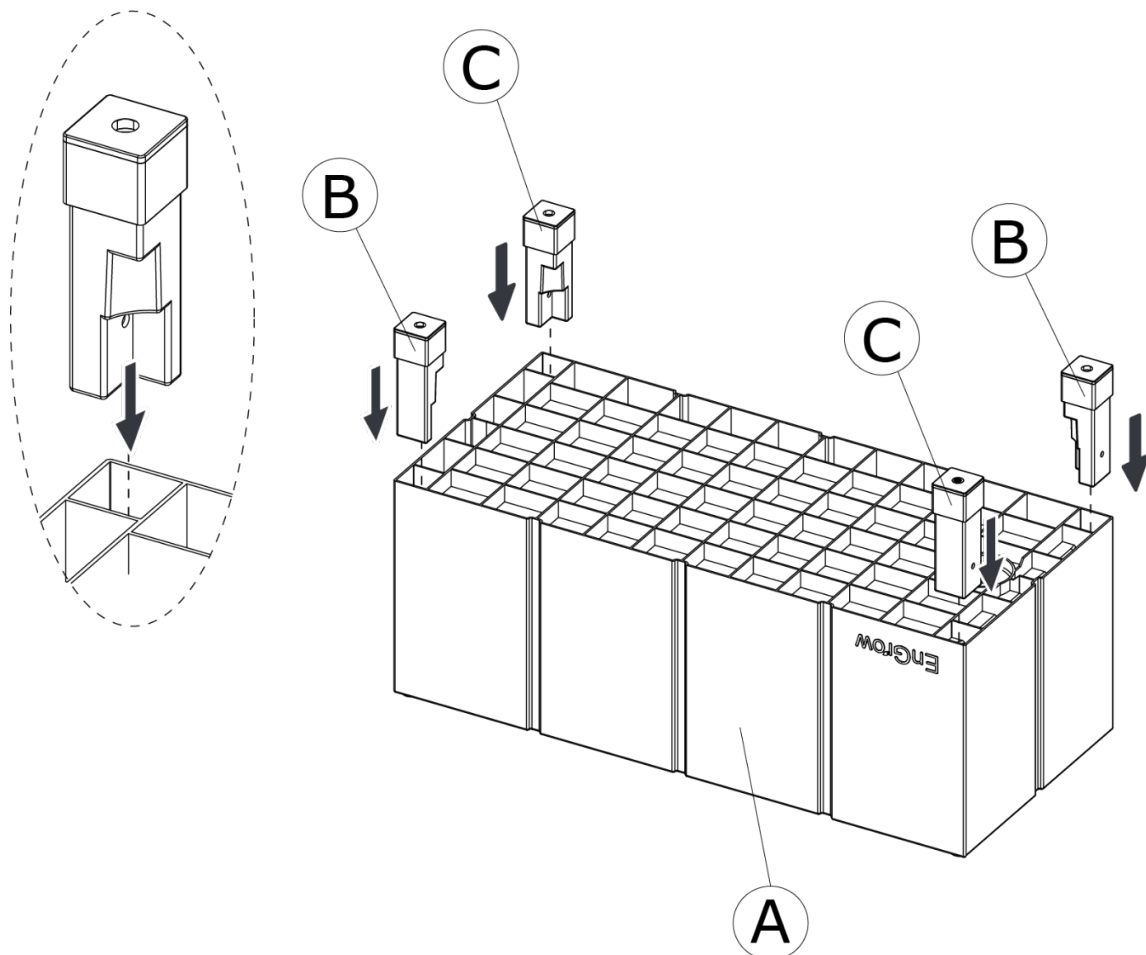


Configuration A – 22-Inch Assembly Instructions

Step 1

IMPORTANT: Place the Soil Container (A) on a clean, soft surface during assembly to prevent damage. Only use provided tools.

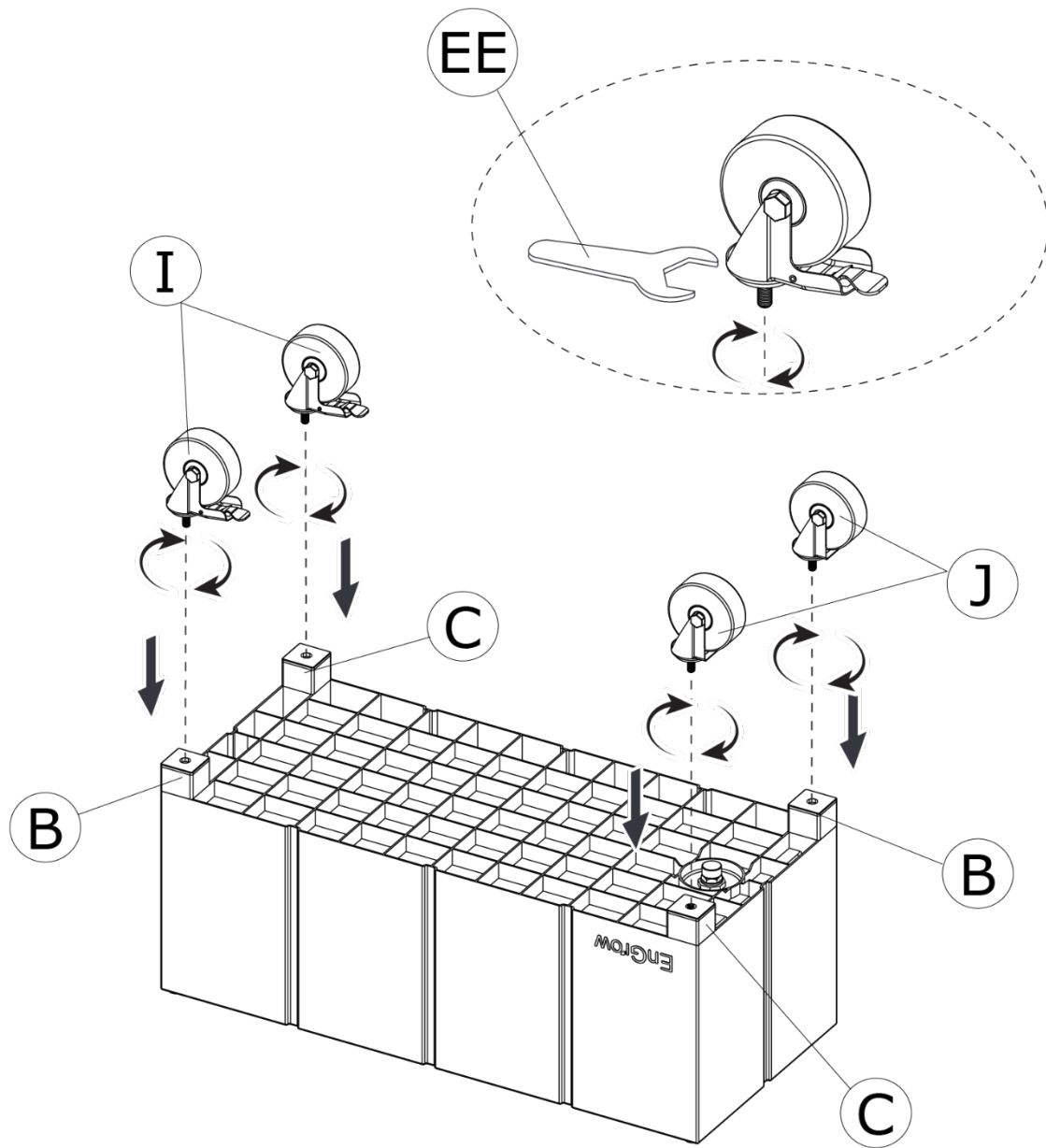
- Completely empty the Soil Container (A) of any contents, flip it upside down so you are looking at the underside of the Soil Container (A).
- Place two Short Legs Type 1 (B) into the front-left corner and the back-right corner of the Soil Container (A), with the indents facing down toward the center of the Soil Container (A). These legs are tension fit to the Soil Container (A) and do not require bolts. Push firmly to ensure legs are fully seated and secure.
- Place two Short Legs Type 2 (C) into the front-right corner and the back-left corner, with the indents facing down toward the center of the Soil Container (A). These legs are tension fit to the Soil Container (A) and do not require bolts. Push firmly to ensure legs are fully seated and secure.



Step 2

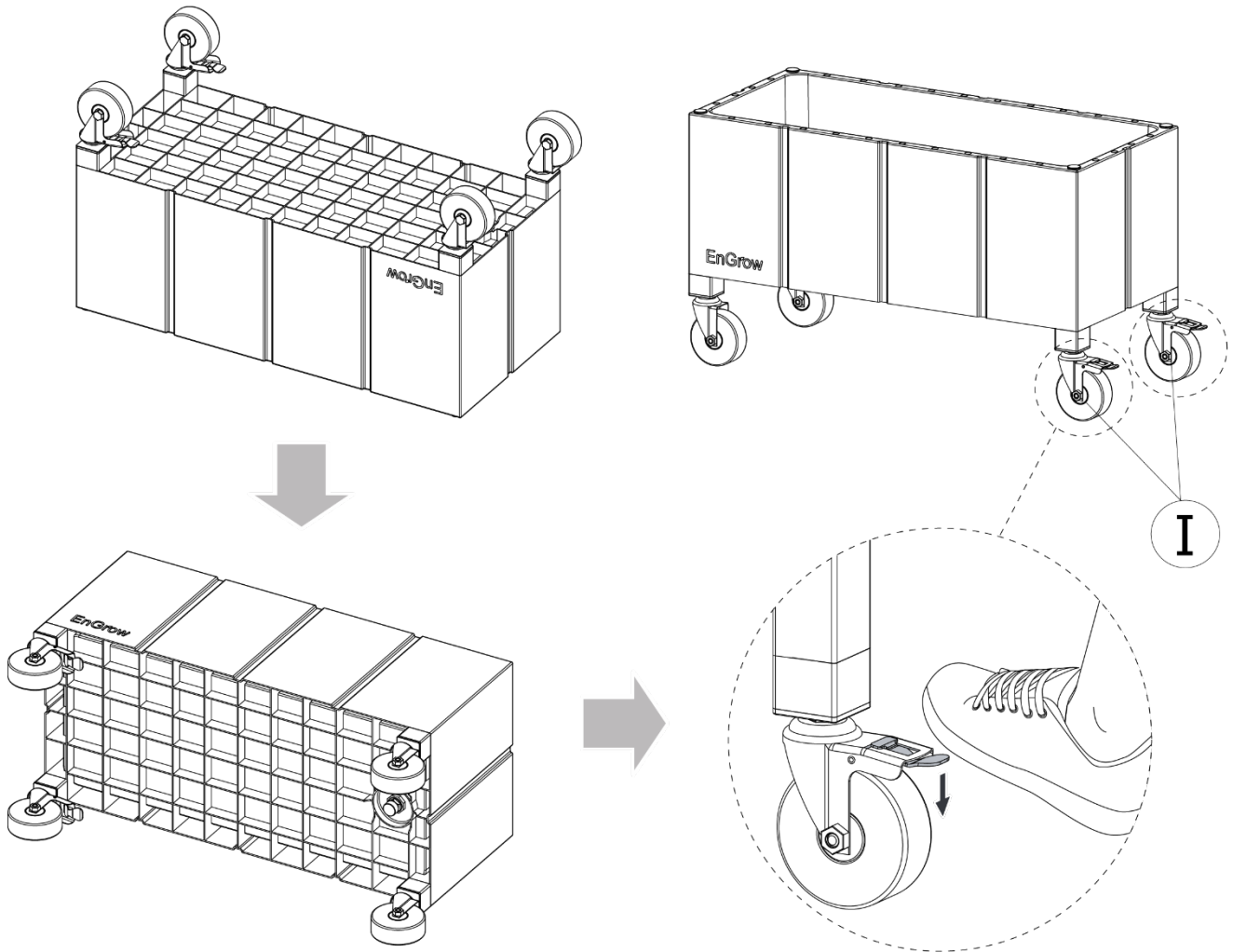
- With the bed still upside down, install both sets of casters (I, J) into the holes on the bottom of the Short Legs (B, C) using the provided M16 Wrench (EE).

NOTE: Casters with brakes (I) can be placed in opposite corners or on one side of the garden bed. Either configuration will keep the garden bed stationary once locked.



Step 3

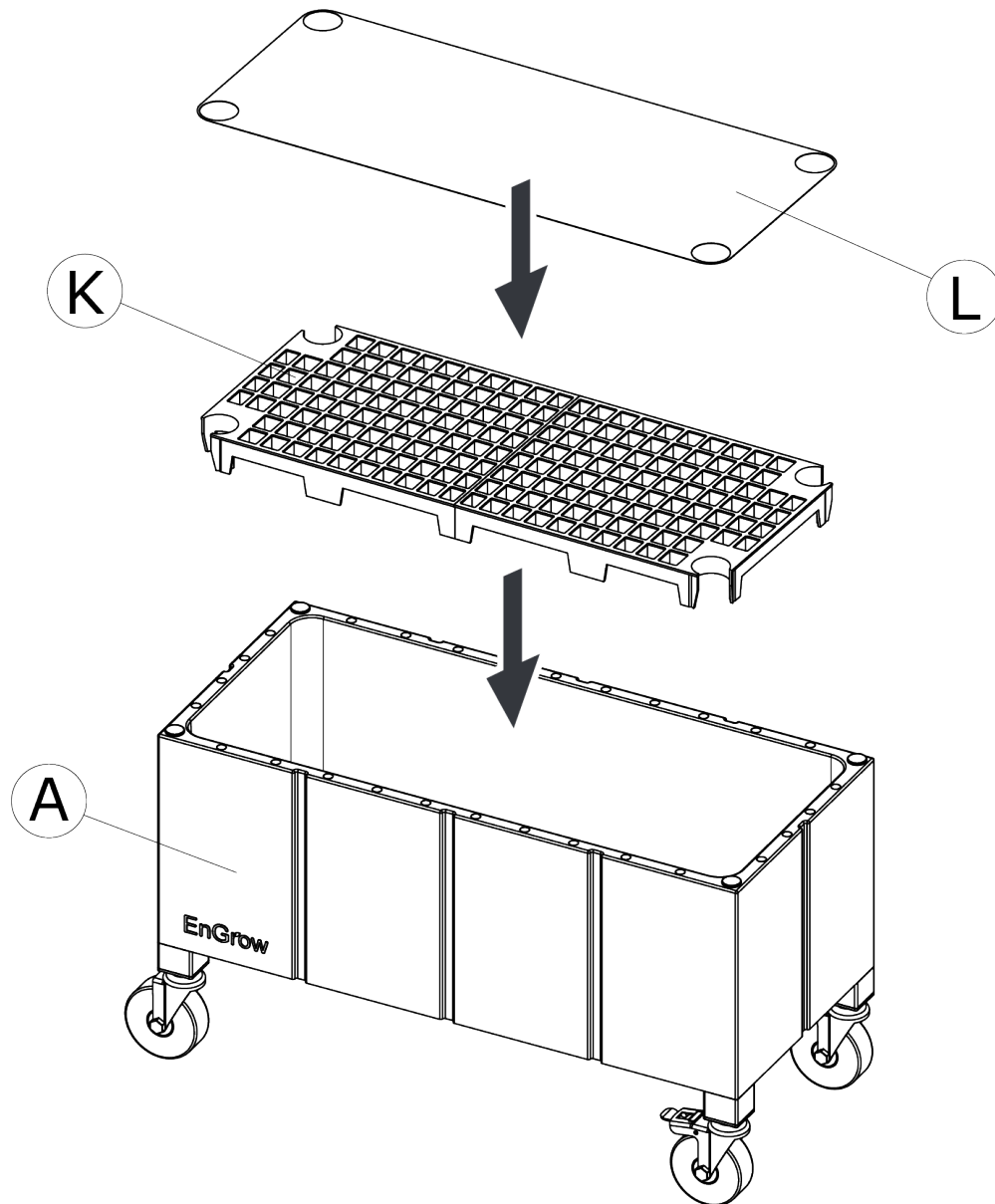
- Carefully flip the garden bed from the upside-down position onto its side.
 - Then carefully flip the garden bed from its side to the upright position.
 - Roll the garden bed to the desired location and lock the two lockable casters
- to secure it.



Press the lever with your foot to lock the brake.

Step 4

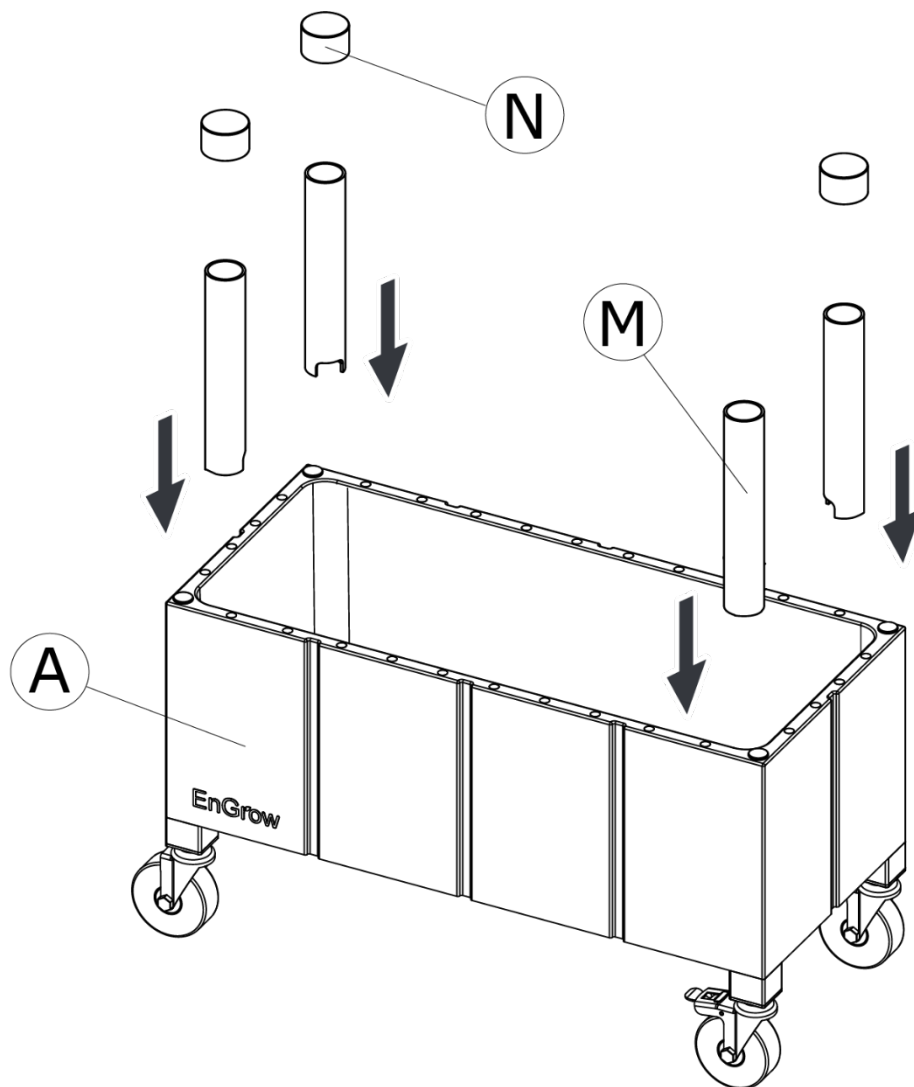
- Place the two sections of the Soil Platform (K) into the Soil Container (A) with the circular holes in the corners of the container.
- Next, lay the Landscaping Fabric (L) on top of the Soil Platform (K), ensuring the holes on both pieces line up.



EnGrow[®]

Step 5

- Insert the EcoTubes™ (M) through the holes in the Landscape Fabric (L) into the Soil Platform (K), positioning each EcoTube™ (M) with the cutout opening pointing down and away from the inside corners of the Soil Container (A).
- The EcoTube Caps (N) are optional and primarily used with the EcoFan™ (sold separately). Leave them off if you are not using them for a specific use case with the EcoFan™.



You're now ready to put soil in The Garden Bed and start EnGrowing!

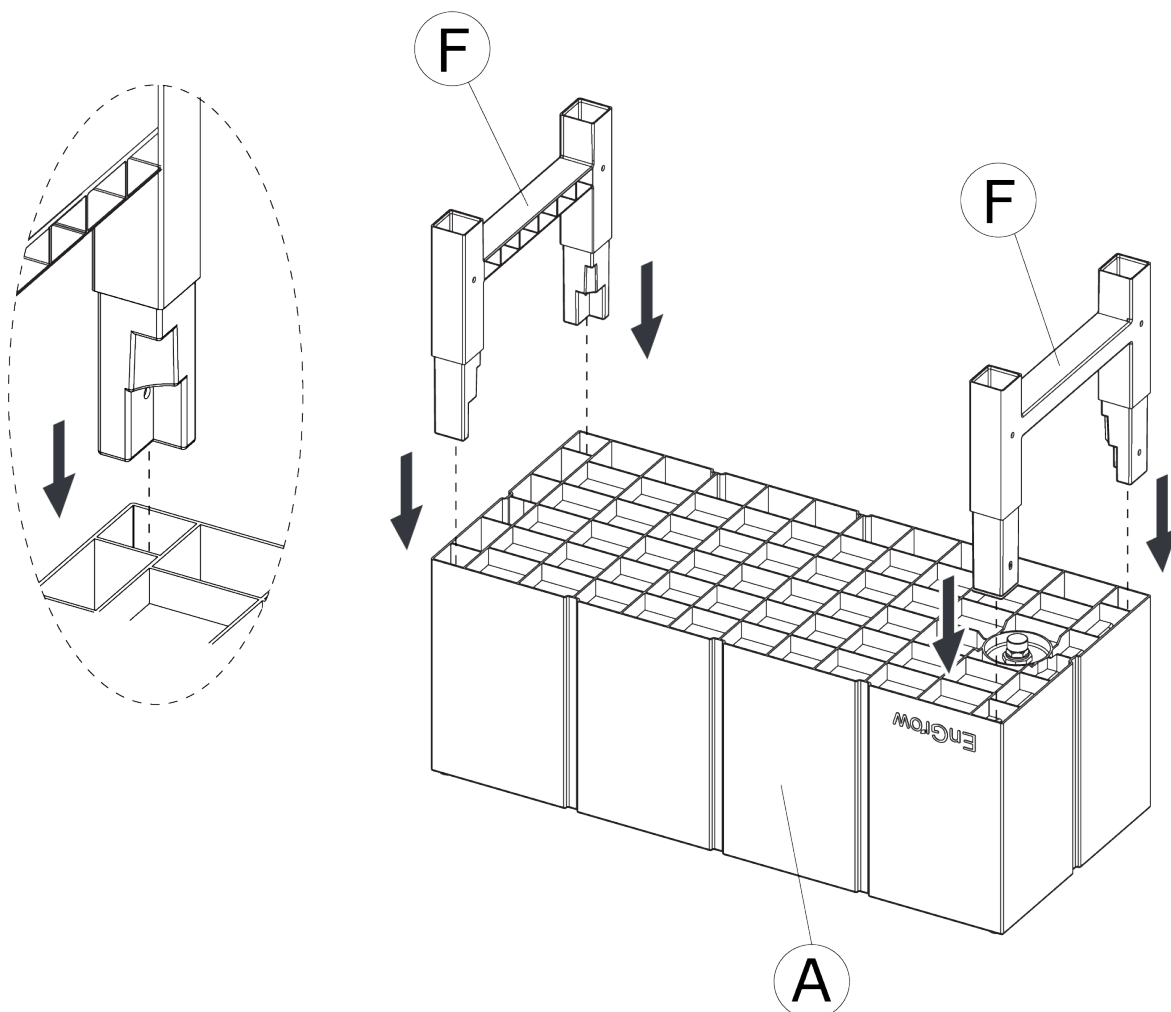
Configuration B – 31-Inch Assembly Instructions

Step 1

IMPORTANT: Place the Soil Container (A) on a clean, soft surface during assembly to prevent damage. Only use provided tools.

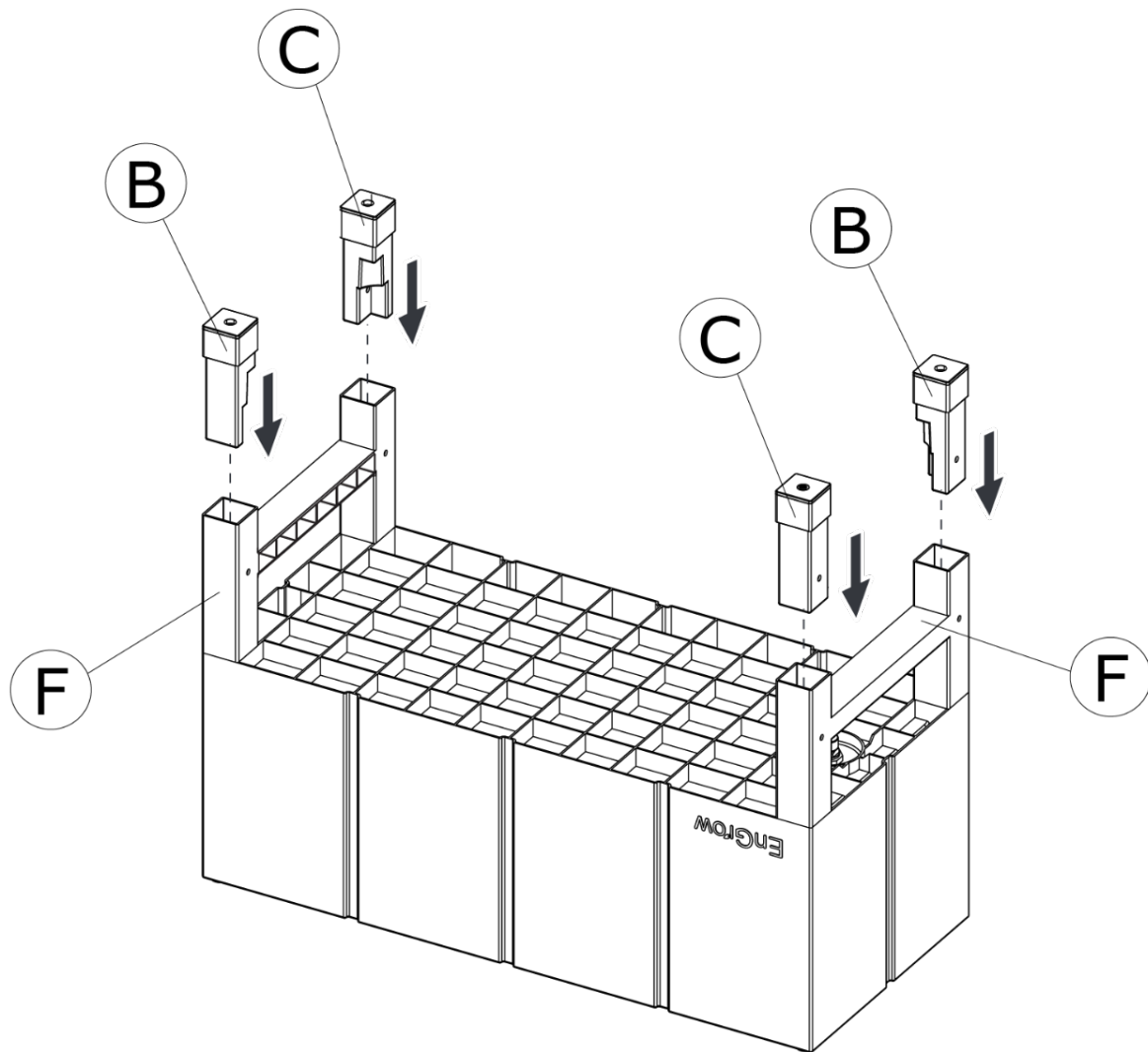
- Completely empty the Soil Container (A) of any contents, flip it upside down so you are looking at the underside of the Soil Container (A).
- Take the Shelf Support Legs (F) and place one in each of the open slots of the Soil Container (A), with the indents facing down toward the center of the Soil Container (A). These legs are tension fit to the Soil Container (A) and do not require bolts. Push firmly to ensure legs are fully seated and secure.

NOTE: The holes in the Shelf Support Legs (F) should be parallel with the long side of the Soil Container (A).



Step 2

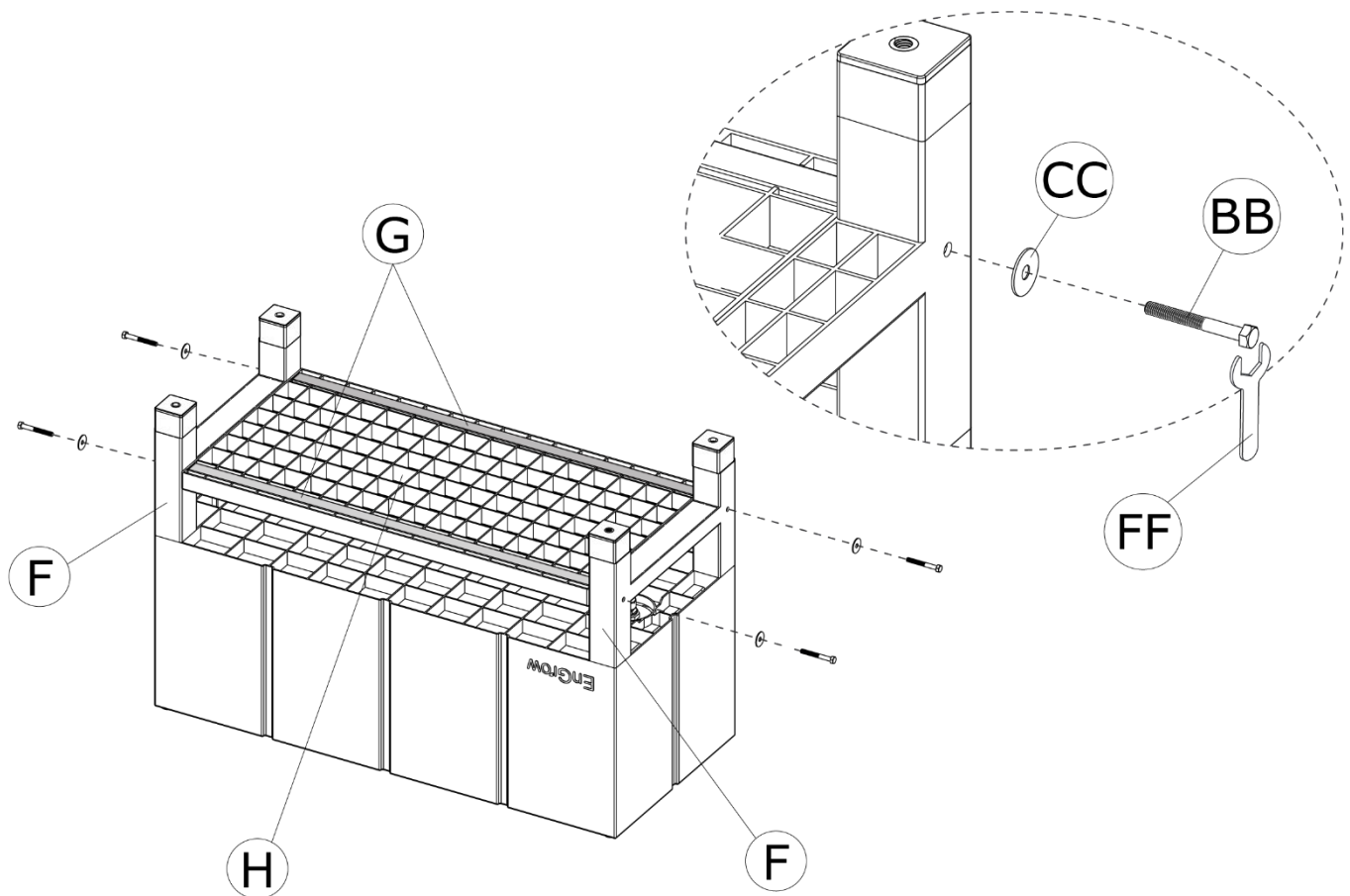
- Place two Short Legs Type 1 (B) into the front-left corner and the back-right corner of the Shelf Support Legs (F), with the indents facing down toward the center of the Soil Container (A).
- Then, place two Short Legs Type 2 (C) into the back-left corner and the front-right corner of the Shelf Support Legs (F), with the indents facing down toward the center of the Soil Container (A).



Step 3

NOTE: Make sure you have the following on hand for this step: M8x75 Bolts (AA), Washers (CC), and M13 Wrench (FF). Place one Washer (CC) on each M8x75 Bolt (AA) in preparation.

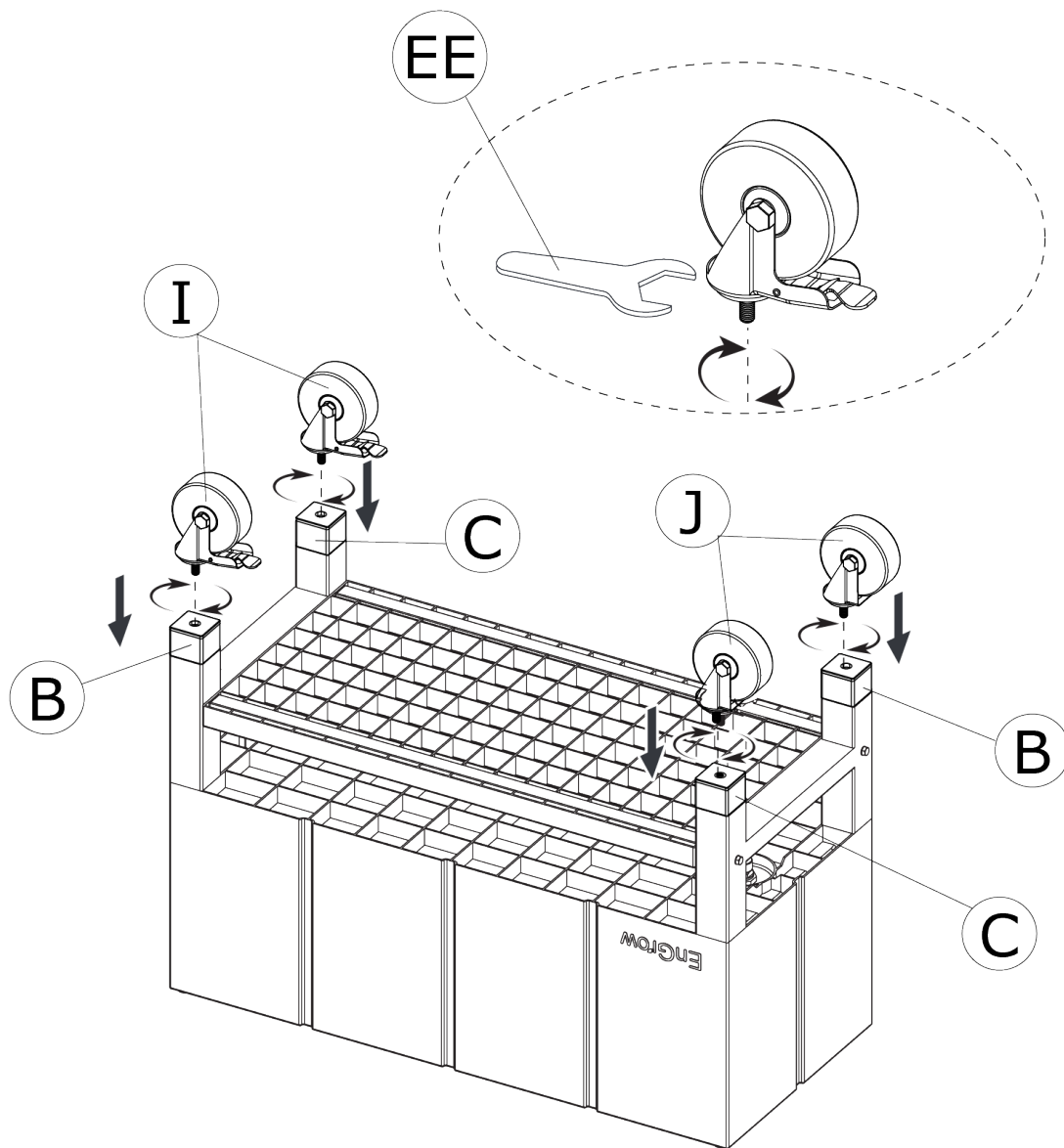
- Take the Storage Shelf (H) and turn it upside down.
- Lay the Support Bars (G) on the outermost rows so that the holes line up with the holes in the Storage Shelf (H).
- Hold the Storage Shelf (H) so that the holes in the Storage Shelf (H) and the Support Bars (G) align with the holes in the Shelf Support Legs (F).
- Take (4) M8x75 Bolts (BB) with Washers (CC) and thread them through the hole in the Shelf Support Legs (F), Storage Shelf (H), and the Support Bars (G) at the same time, loosely threading them to hold the Storage Shelf (H) in place.
- After loosely threading each bolt so the Storage Shelf (H) is in place, fully tighten each one using the provided M13 Wrench (FF).



Step 4

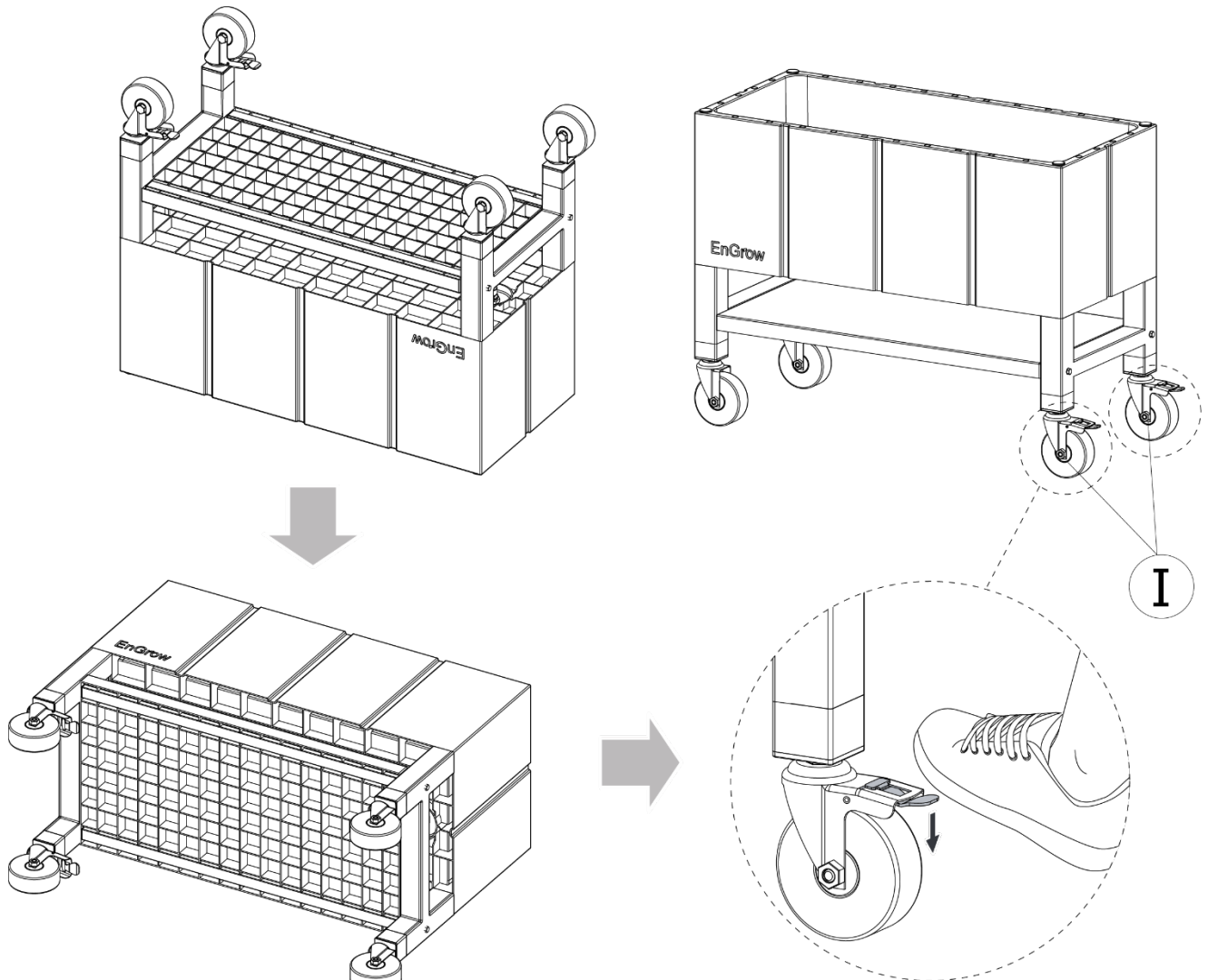
- With the bed still upside down, install both sets of casters (I, J) into the holes on the bottom of the Short Legs (B, C) using the provided M16 Wrench (EE).

NOTE: Casters with brakes (I) can be placed in opposite corners or on one side of the garden bed. Either configuration will keep the garden bed stationary once locked.



Step 5

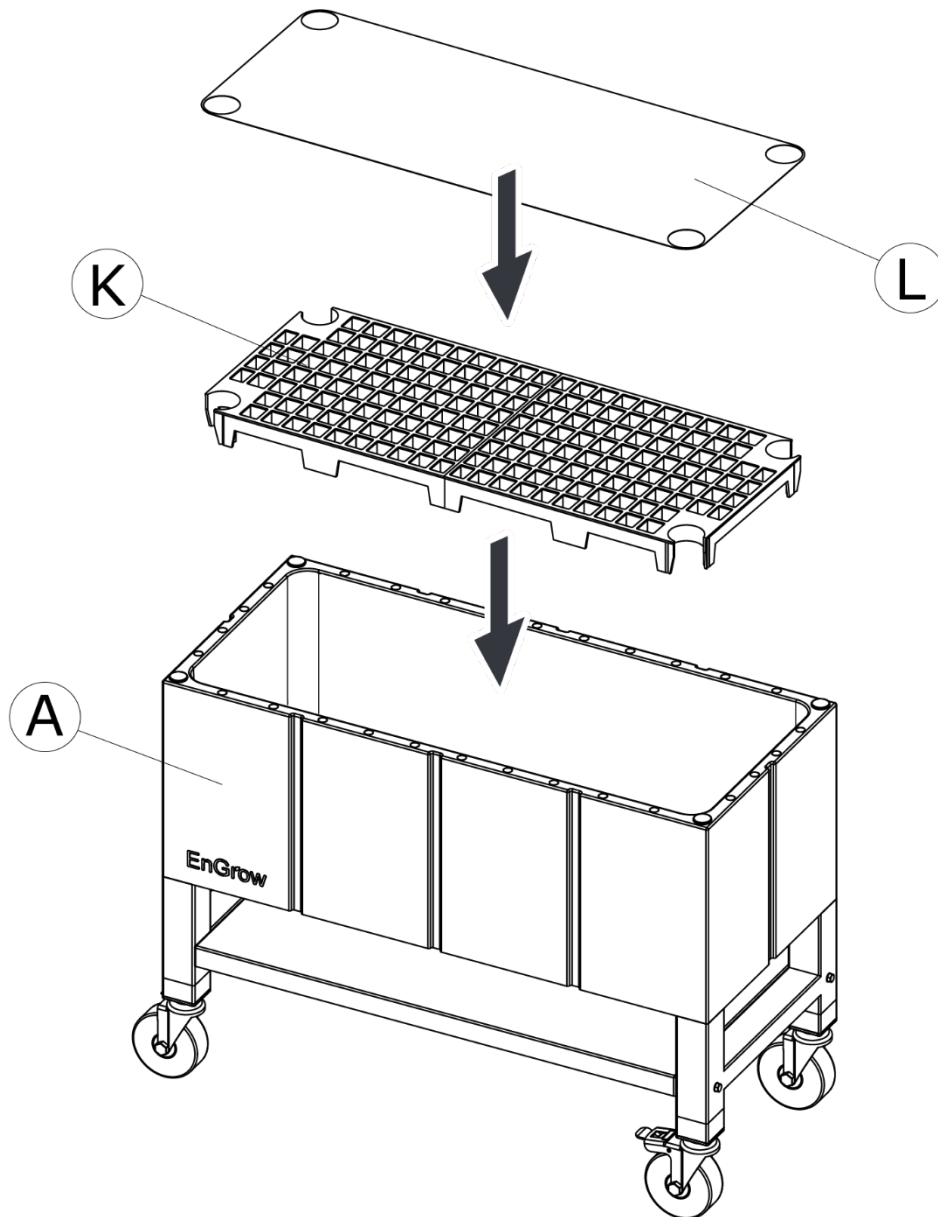
- Carefully flip the garden bed from the upside-down position onto its side.
- Then carefully flip the garden bed from its side to the upright position.
- Roll the garden bed to the desired location and lock the two lockable casters to secure it.



Press the lever with your foot to lock the brake.

Step 6

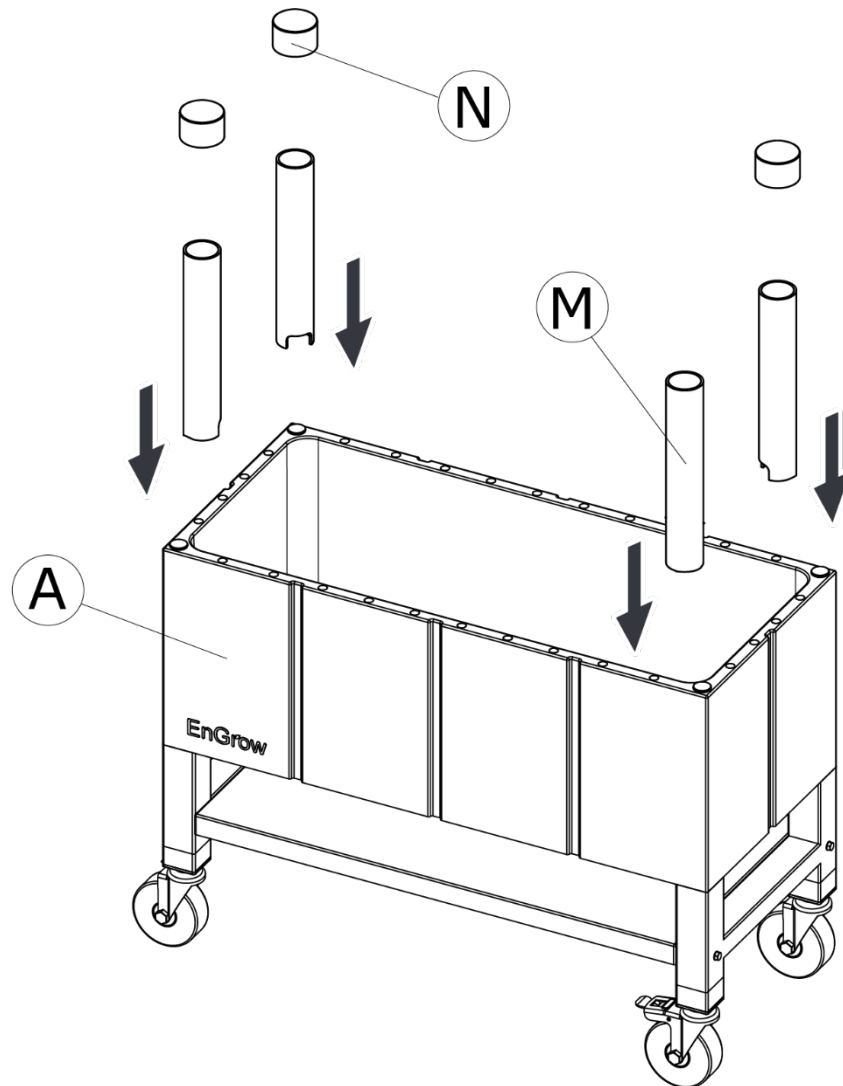
- Place the two sections of the Soil Platform (K) into the Soil Container (A) with the circular holes in the corners of the container.
- Next, lay the Landscaping Fabric (L) on top of the Soil Platform (K), ensuring the holes on both pieces line up.



EnGrow[®]

Step 7

- Insert the EcoTubes™ (M) through the holes in the Landscape Fabric (L) into the Soil Platform (K), positioning each EcoTube™ (M) with the cutout opening pointing down and away from the inside corners of the Soil Container (A).
- The EcoTube Caps (N) are optional and primarily used with the EcoFan™ (sold separately). Leave them off if you are not using them for a specific use case with the EcoFan™.



You're now ready to put soil in The Garden Bed and start EnGrowing!

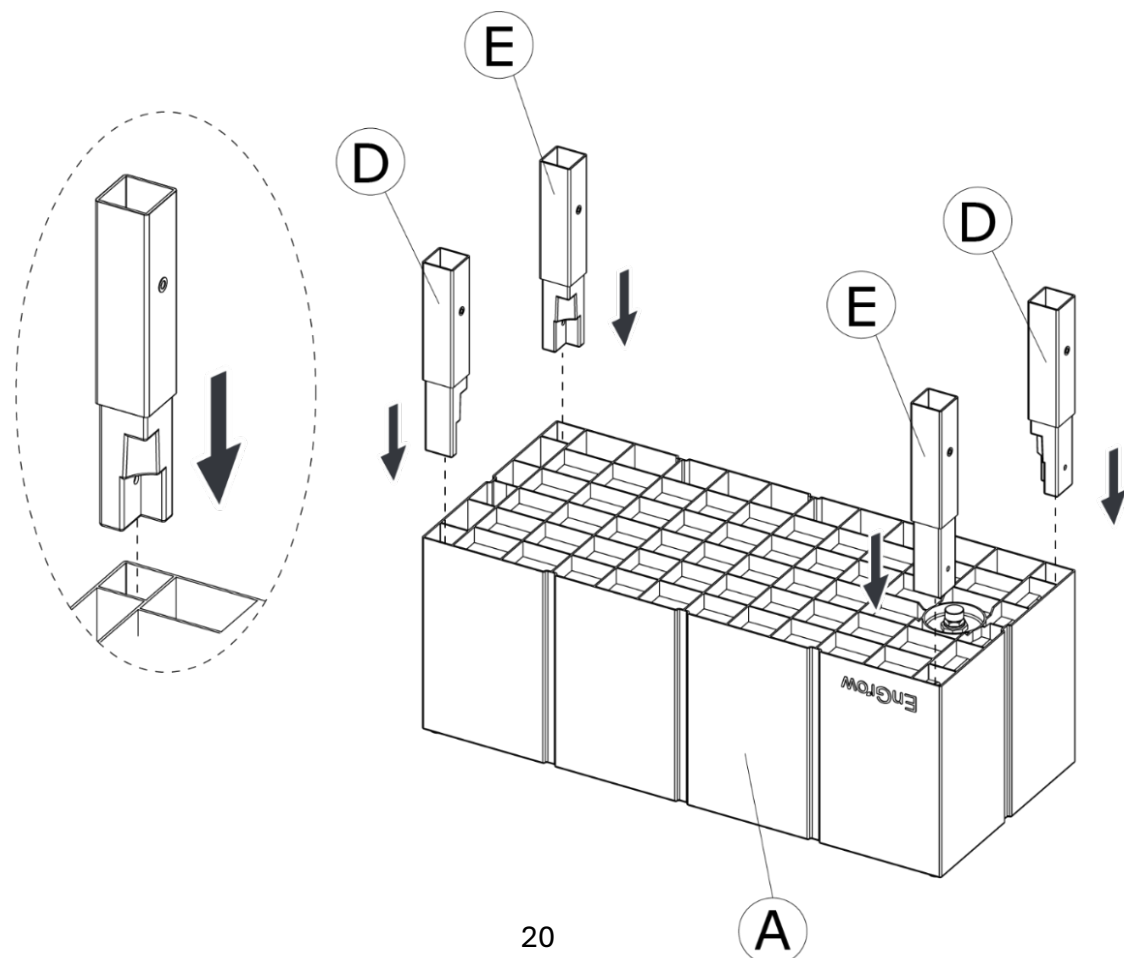
Configuration C – 40-Inch Assembly Instructions

Step 1

IMPORTANT: Place the Soil Container (A) on a clean, soft surface during assembly to prevent damage. Only use provided tools.

- Completely empty the Soil Container (A) of any contents, flip it upside down so you are looking at the underside of the Soil Container (A).
- Place two Long Legs Type 1 (D) in the back-right corner and front-left corner of the Soil Container (A), with the indents facing down and toward the center of the Soil Container (A). These legs are tension fit to the Soil Container (A) and do not require bolts. Push firmly to ensure legs are fully seated and secure.
- Place two Long Legs Type 2 (E) in the front right corner and back left corner of the Soil Container (A), with the indents facing down toward the center of the Soil Container (A). These legs are tension fit to the Soil Container (A) and do not require bolts. Push firmly to ensure legs are fully seated and secure.

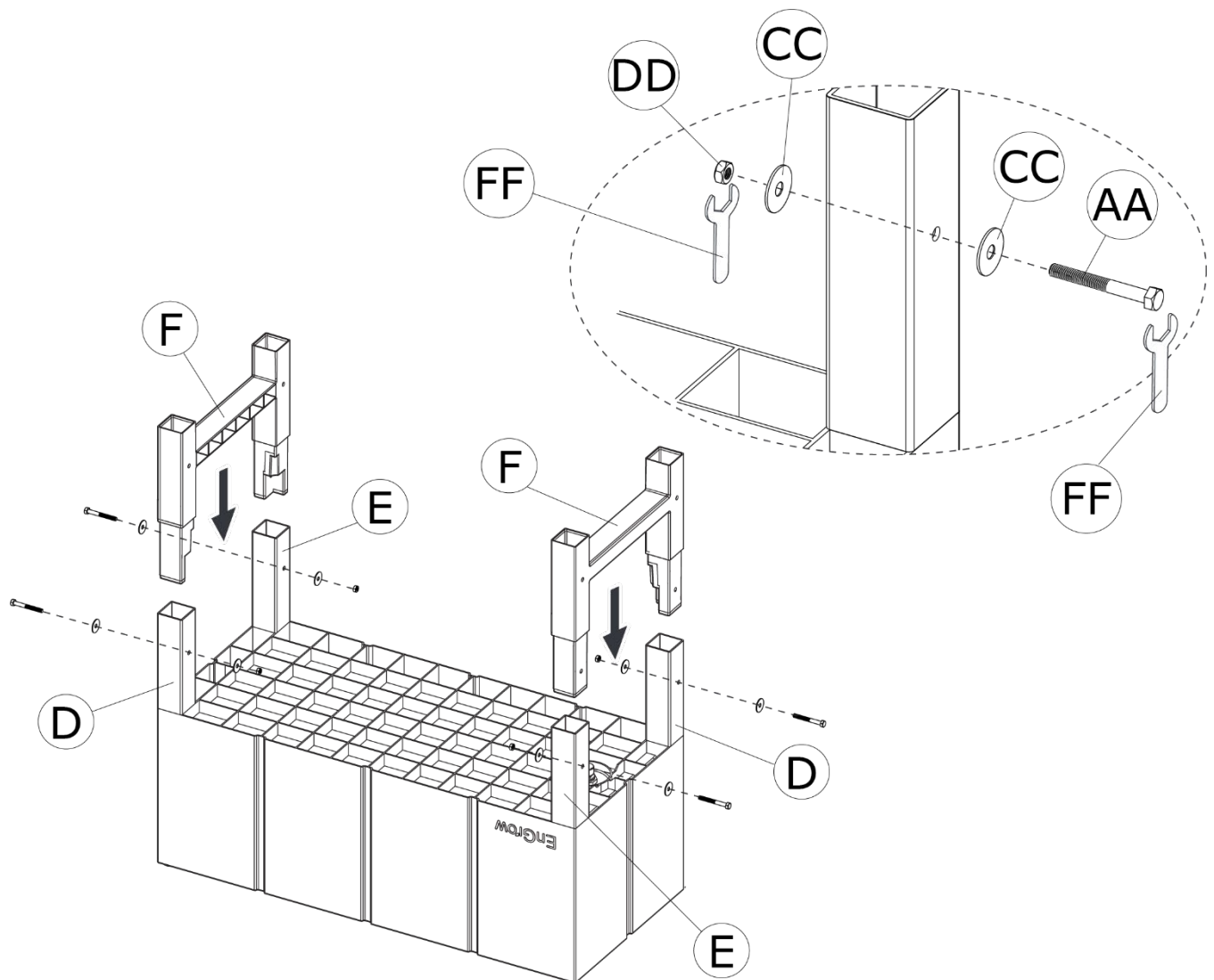
NOTE: The holes in the Long Legs (D, E) should be parallel to the long side of the Soil Container (A).



Step 2

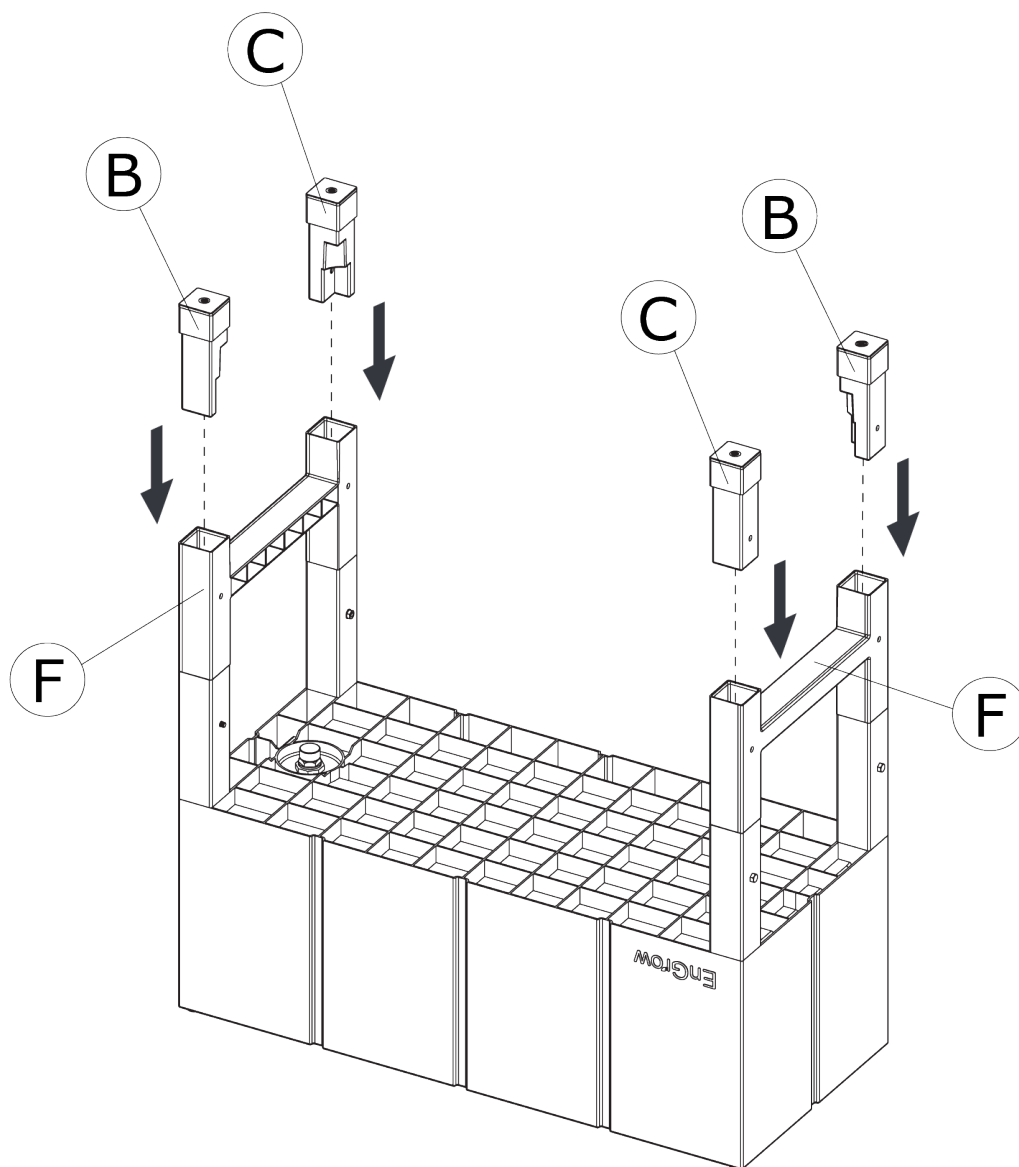
NOTE: Make sure you have the following on hand for this step: M8x70 Bolts (AA), Washers (CC), Nuts (DD), and M13 Wrench (FF). Place one Washer (CC) on each M8x70 Bolt (AA) in preparation.

- Take the Shelf Support Legs (F) and place one in the open slots of each set of the Long Legs (D, E), with the indents facing down toward the center of the Soil Container (A).
- Make sure the holes of the Shelf Support Legs (F) and Long Legs (D, E) are aligned, then slide (4) M8x70 Bolts (AA) with Washers (CC) through the aligned holes.
- Place (4) Washers (CC) and Nuts (DD) on the other side of the M8x70 Bolts (AA).
- Fully tighten all nuts using the provided M13 Wrench (FF).



Step 3

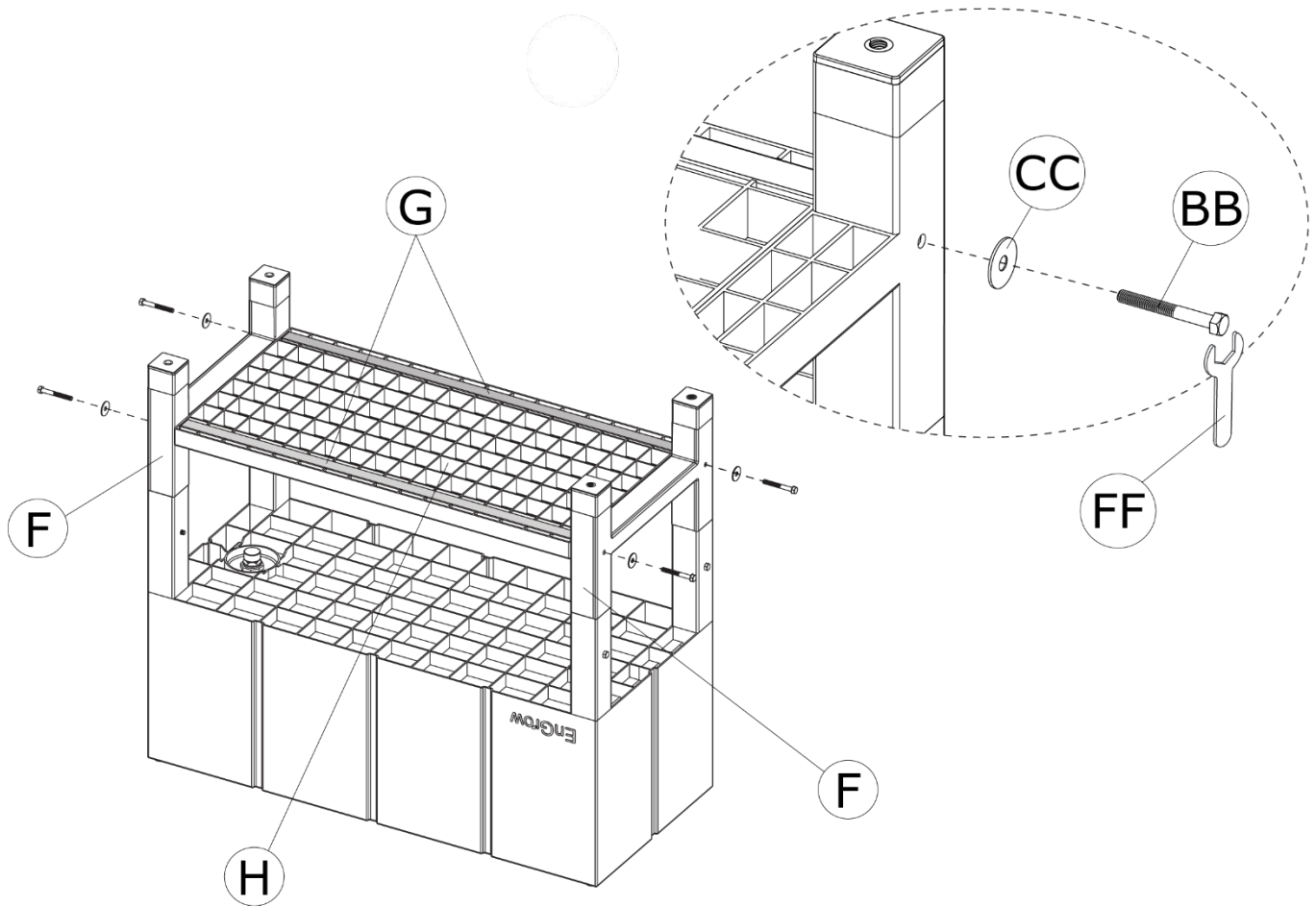
- Place two Short Legs Type 1 (B) into the front-left corner and the back-right corner of the Shelf Support Legs (F), with the indents facing down toward the center of the Soil Container (A).
- Then, place two Short Legs Type 2 (C) into the back-left corner and the front-right corner of the Shelf Support Legs (F), with the indents facing down toward the center of the Soil Container (A).



Step 4

NOTE: Make sure you have the following on hand for this step: M8x75 Bolts (AA), Washers (CC), and M13 Wrench (FF). Place one Washer (CC) on each M8x75 Bolt (AA) in preparation.

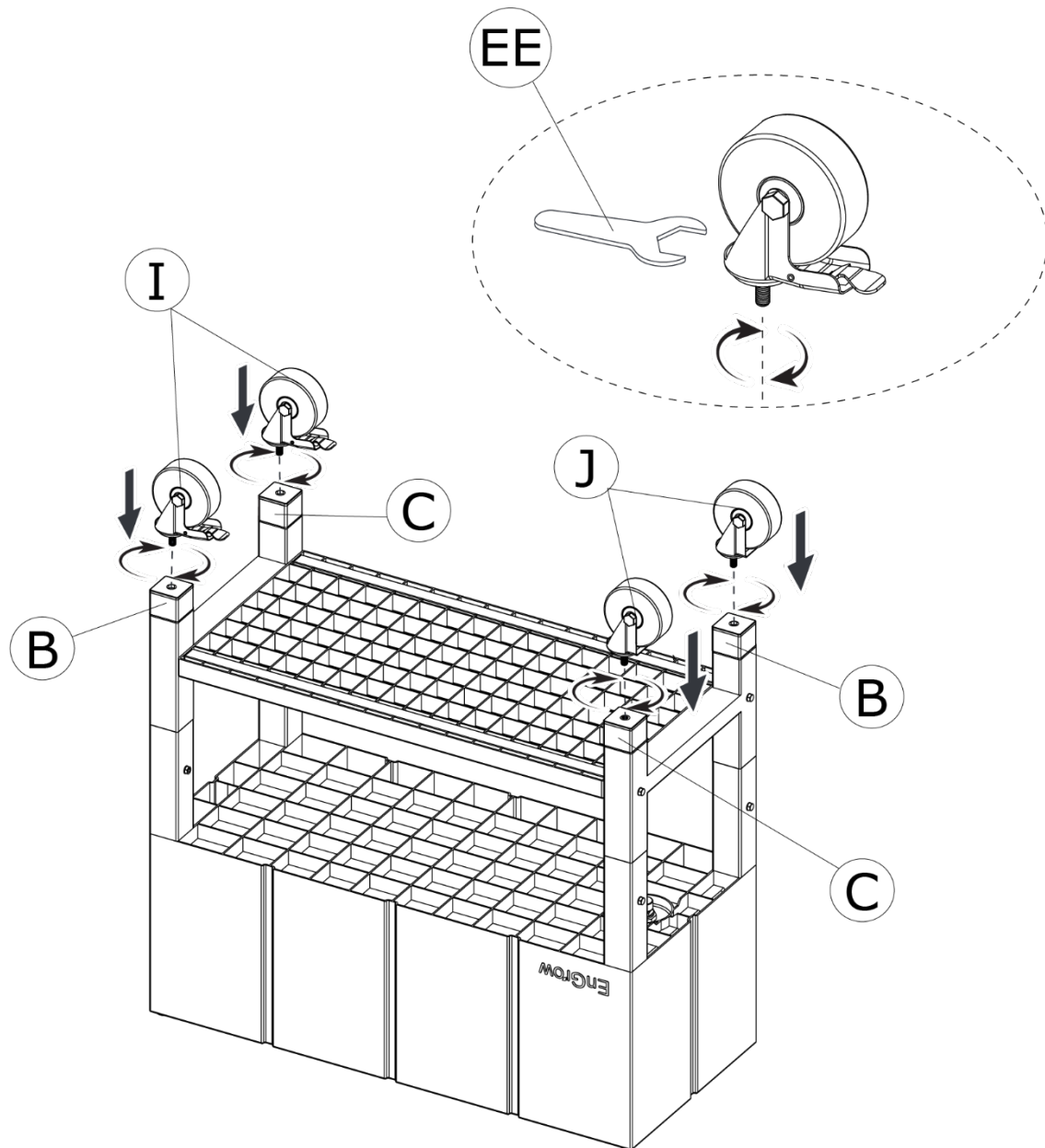
- Take the Storage Shelf (H) and turn it upside down.
- Lay the Support Bars (G) on the outermost rows so that the holes line up with the holes in the Storage Shelf (H).
- Hold the Storage Shelf (H) so that the holes in the Storage Shelf (H) and the Support Bars (G) align with the holes in the Shelf Support Legs (F).
- Take (4) M8x75 Bolts (BB) with Washers (CC) and thread them through the hole in the Shelf Support Legs (F), Storage Shelf (H), and the Support Bars (G) at the same time, loosely threading them to hold Storage Shelf (H) in place.
- After loosely threading each bolt so the Storage Shelf (H) is in place, fully tighten each one using the provided M13 Wrench (FF).



Step 5

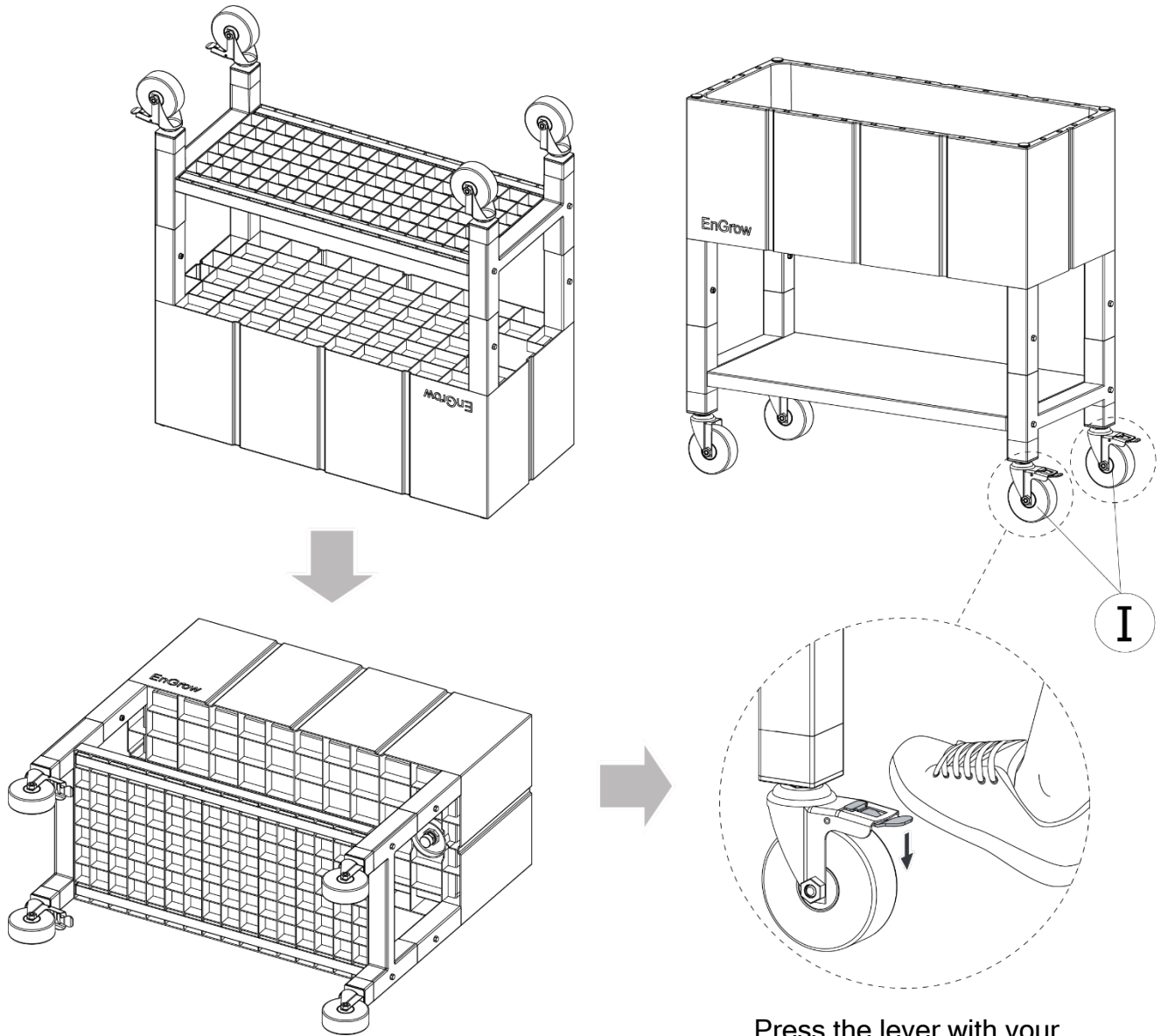
- With the bed still upside down, install both sets of casters (I, J) into the holes on the bottom of the Short Legs (B, C) using the provided M16 Wrench (EE).

NOTE: Casters with brakes (I) can be placed in opposite corners or on one side of the garden bed. Either configuration will keep the garden bed stationary once locked.



Step 6

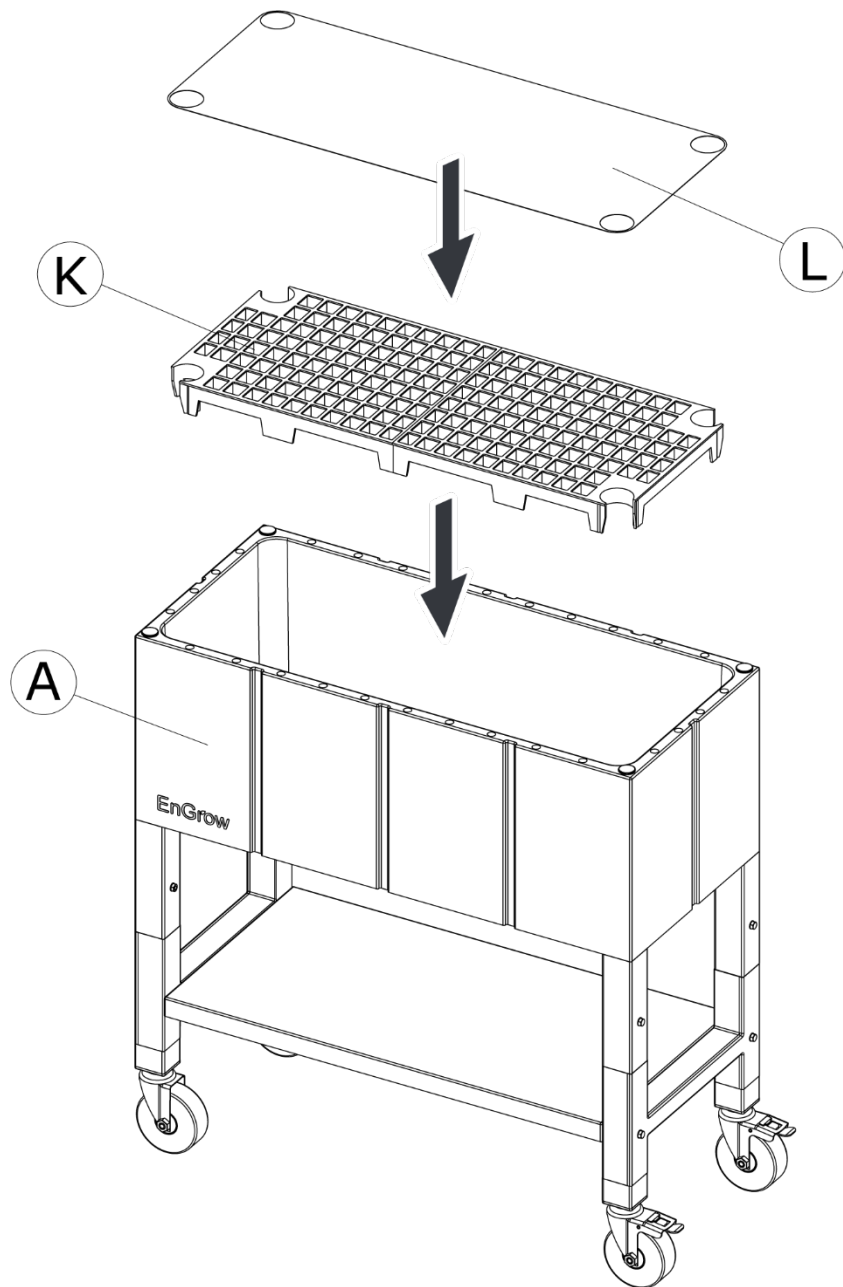
- Carefully flip the garden bed from the upside-down position onto its side.
- Then carefully flip the garden bed from its side to the upright position.
- Roll the garden bed to the desired location and lock the two lockable casters to secure it.



Press the lever with your foot to lock the brake.

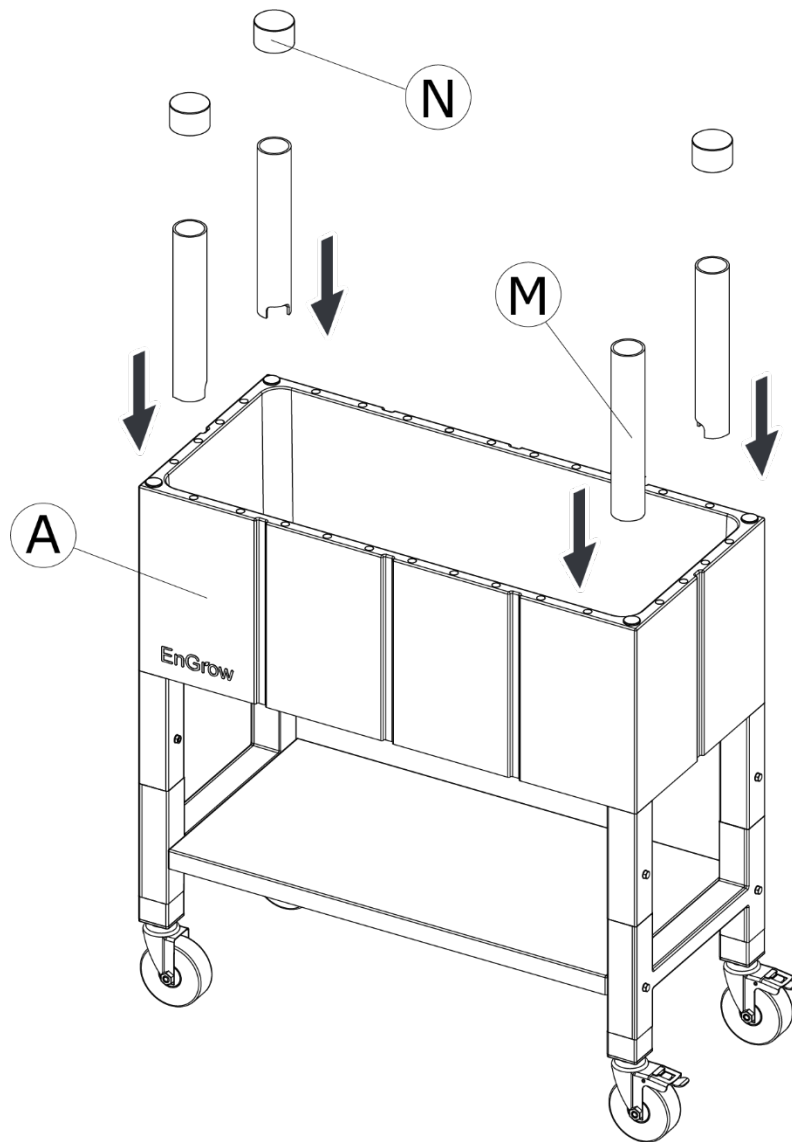
Step 7

- Place the two sections of the Soil Platform (K) into the Soil Container (A) with the circular holes in the corners of the container.
- Next, lay the Landscaping Fabric (L) on top of the Soil Platform (K), ensuring the holes on both pieces line up.



Step 8

- Insert the EcoTubes™ (M) through the holes in the Landscape Fabric (L) into the Soil Platform (K), positioning each EcoTube™ (M) with the cutout opening pointing down and away from the inside corners of the Soil Container (A).
- The EcoTube Caps (N) are optional and primarily used with the EcoFan™ (sold separately). Leave them off if you are not using them for a specific use case with the EcoFan™.



You're now ready to put soil in The Garden Bed and start EnGrowing!



Care & Maintenance

Our storage and maintenance recommendations prioritize preserving the soil's vitality, aligning with the garden bed's main function.

- When leaving your garden bed outside for the winter months, we recommend storing it under cover to avoid the elements, if possible.
- Keep the garden bed's drain plug open when left outside to allow rainwater to drain, preventing accumulation and maintaining soil aeration.
- Leaving the garden bed outside when the temperature drops below freezing is fine. Soil microbes may enter a state of dormancy or slow down their metabolic activity.
- To preserve your garden bed's soil health outdoors in warm weather without plants, keep the soil adequately moist to support microbial activity. Top-dress with organic matter to provide a food source for microbes.
- Grease the casters once a year using high-quality bearing grease.
- For further care & maintenance tips or questions, please email us at support@engrow.ag, or visit us at www.engrow.ag.

Limited Warranty

EnGrow, Inc. guarantees that this product shall be free from defects in workmanship and materials for a period of One (1) year from the date of the original purchase.

Our obligation under this warranty shall be limited to the replacement of parts during the warranty period. Our liability shall not extend beyond the replacement of parts.

This warranty excludes normal "wear & tear" such as paint loss, discoloration, or plastic stretching on the product, parts and components. This warranty also excludes any damage arising from any of the following: negligent use or misuse of the Product, use contrary to this User's Manual or alterations by anyone.

All warranty coverage is void if this Product is ever used for commercial or rental purposes; this warranty is valid only in the USA.

This warranty period of One (1) Year shall not be extended or renewed for the repair, replacement of parts, or compensation for the product. If your Product is defective or otherwise requires parts, please email customer service at support@engrow.ag. Proof of purchase must accompany all service requests.