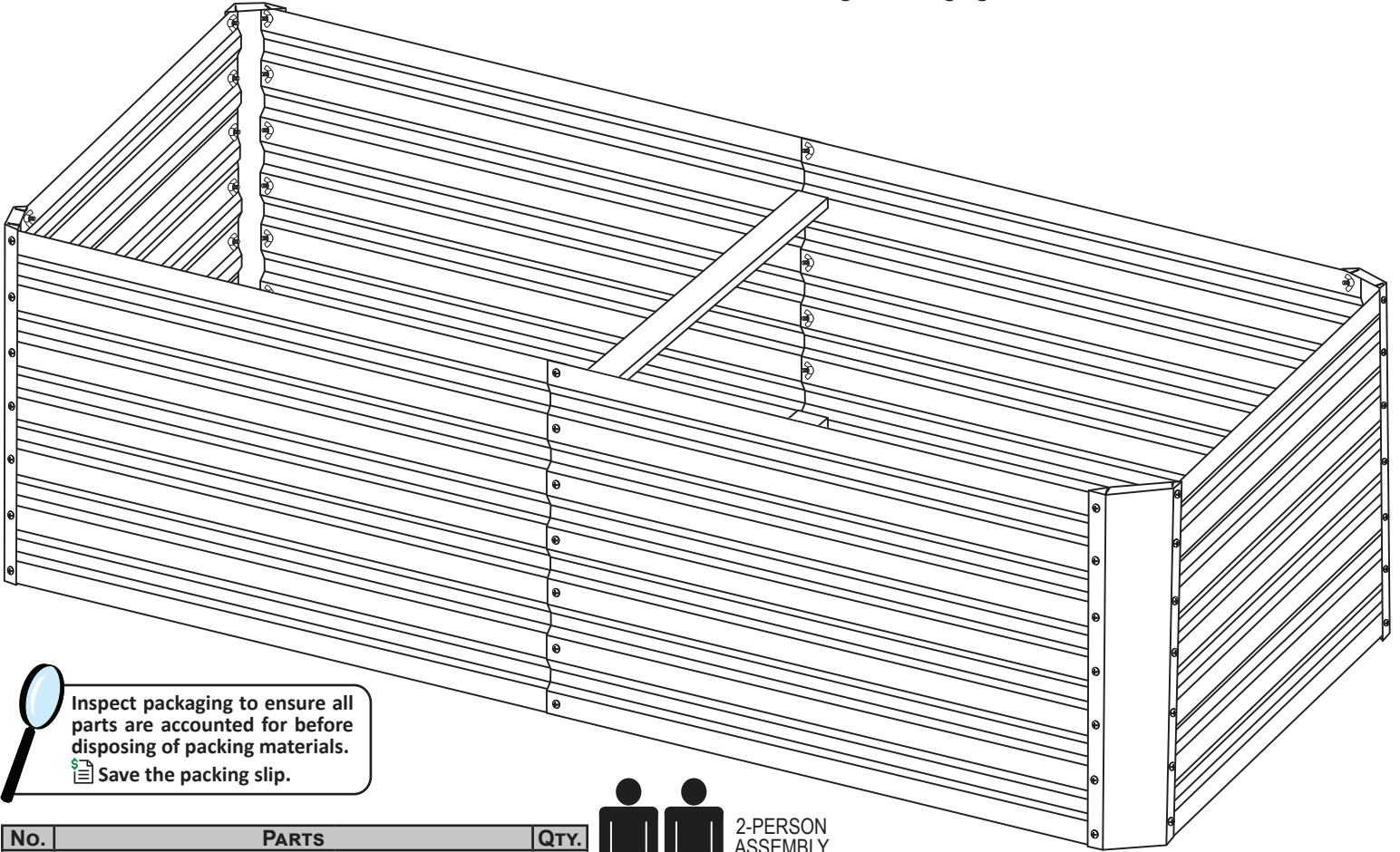




We stand behind our brand and the quality of the items we sell. Replacement parts or products will be sent at our discretion within the 1-year warranty period. Proof of purchase, with the date of purchase as well as photos of the merchandise defect, must be provided. Photos are used to determine the cause of defects and for future quality control.

RECTANGULAR GALVALUME STEEL RAISED GARDEN BED


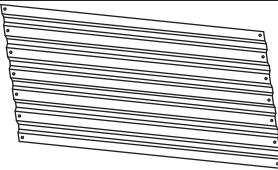

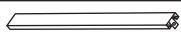


Read the assembly instructions and follow line drawings carefully. Save this document for future reference.

Assemble on a soft, clean surface to avoid scratching or damaging the finish.



 Inspect packaging to ensure all parts are accounted for before disposing of packing materials.
 Save the packing slip.



No.	PARTS	QTY.
A	 Short End Panel	2
B	 Long Side Panel	4
C	 Corner	4
D	 Support Beam	2
E	 M6x12mm Bolt Set	70
F	 Screwdriver	1

! WARNING !
CHOKING HAZARD — This item contains small parts that can be swallowed. Keep children and pets away during assembly.

! CAUTION:
SHARP EDGES
USE EXTREME CAUTION
◀ WEAR GLOVES DURING ASSEMBLY ▶

ASSEMBLY

STEP 1

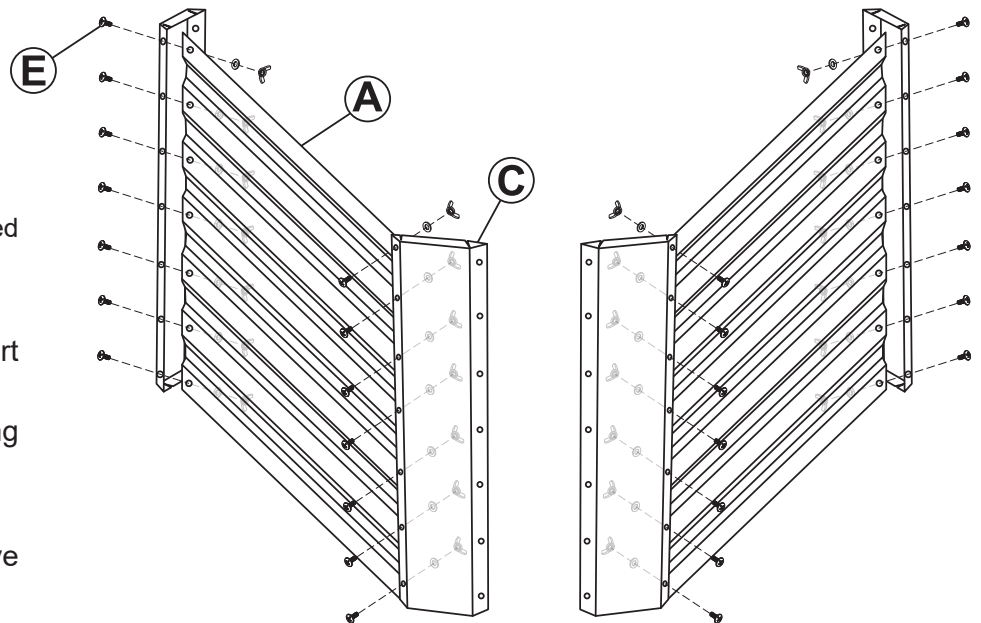
A: 2
C: 4
E: 28

NOTE: Install the end panels with the rolled edges facing the inside of the garden bed.

Align Corner (C) with the outside of Short End Panel (A).

Secure the corner to the end panel using seven M6x12mm Bolt Sets (E).

Repeat this step until all four corners have been secured to the end panels.



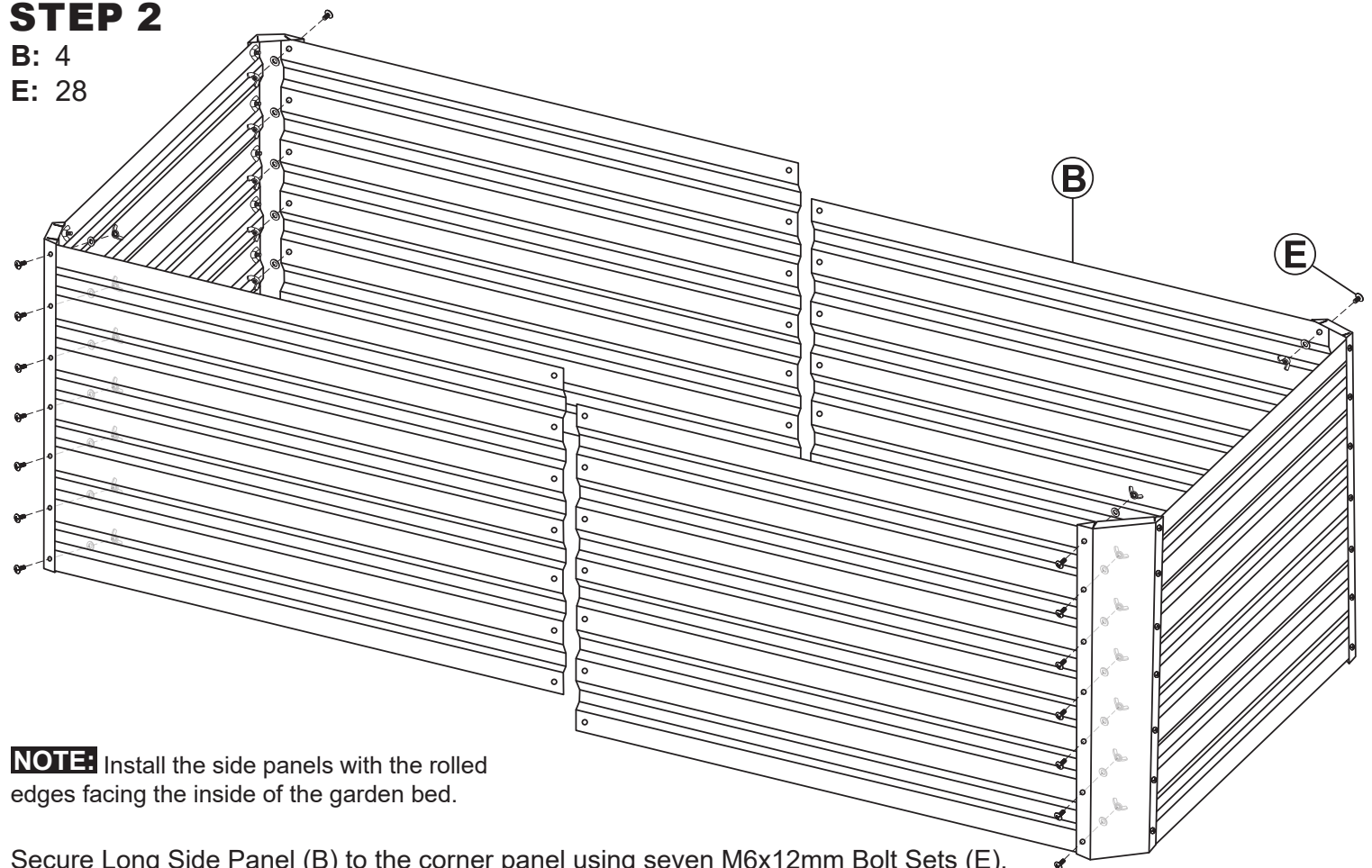
STEP 2

B: 4
E: 28

NOTE: Install the side panels with the rolled edges facing the inside of the garden bed.

Secure Long Side Panel (B) to the corner panel using seven M6x12mm Bolt Sets (E).

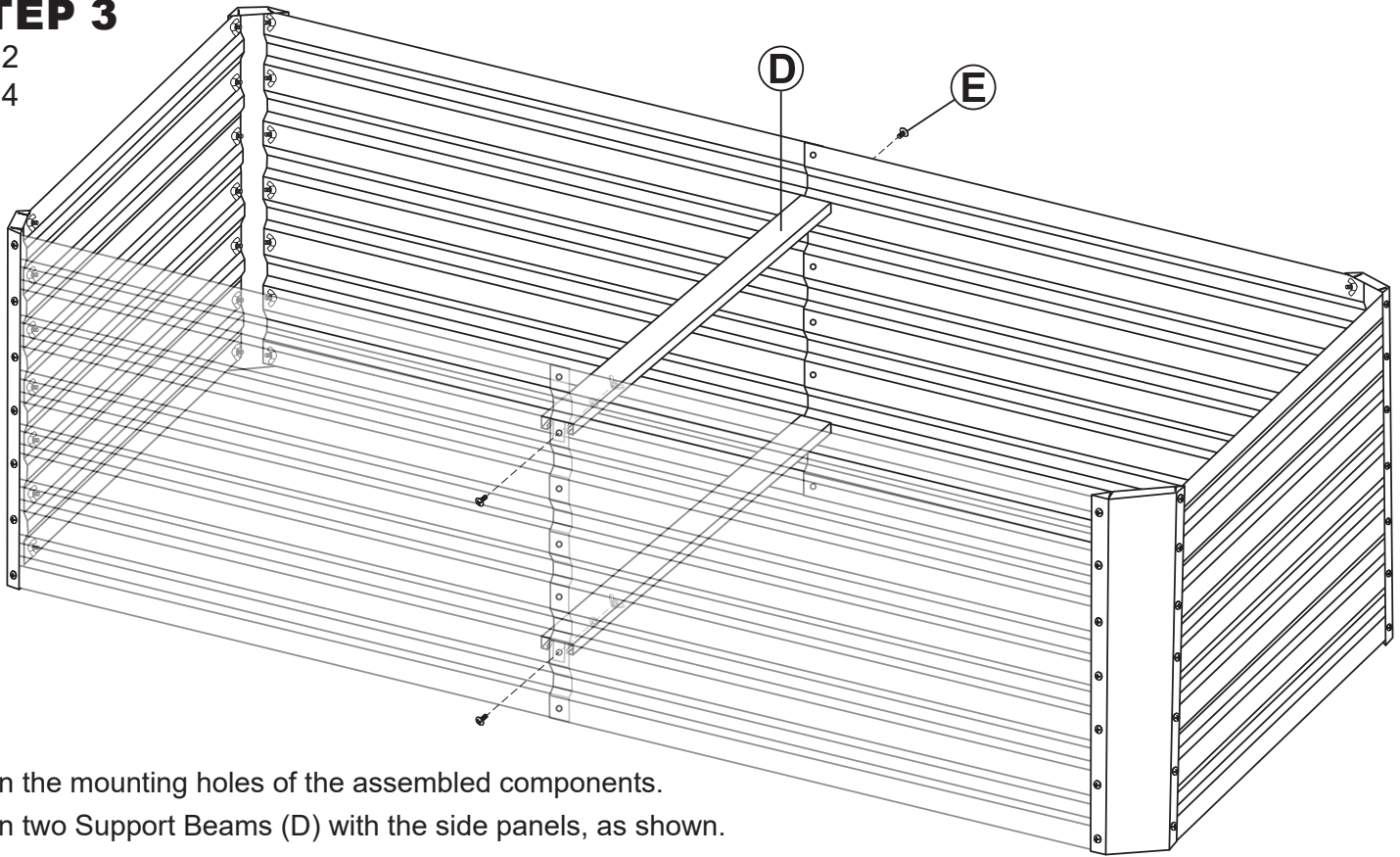
Repeat this step until all side panels have been secured to the corners.



STEP 3

D: 2

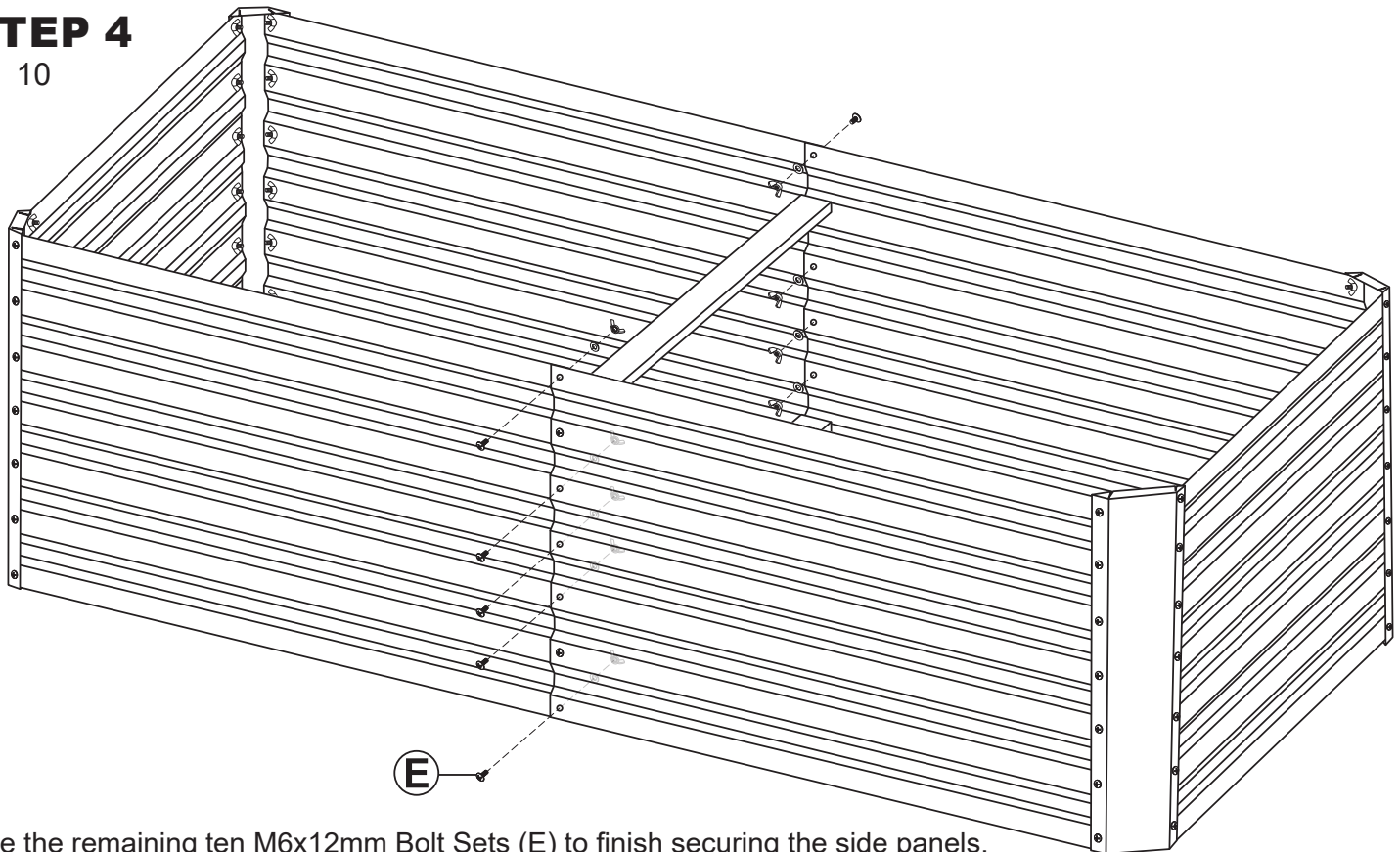
E: 4



Align the mounting holes of the assembled components.
Align two Support Beams (D) with the side panels, as shown.
Secure each support beam using two M6x12mm Bolt Sets (E).

STEP 4

E: 10



Use the remaining ten M6x12mm Bolt Sets (E) to finish securing the side panels.
Fully tighten all hardware after this step is complete.

Any modification to the product or failure to follow recommended care will void the product warranty.

USE & CARE

- This garden bed provides ergonomic access to plants and helps eliminate the need to till the soil each year as long as the soil is not packed down. Avoid stepping in the bed!
- Prepare the site before installation. Level the ground and remove existing vegetation. Landscaping fabric can be used under the bed; a double layer is recommended for garden beds placed directly on a lawn.
- A layer of gravel or stone can be used at the bottom for improved drainage.
- Loosely hand-tighten all nuts and bolt sets first, position the bed, then tighten. After assembly, check that all fastening points are secured.
- Galvanized metal beds do not require frequent maintenance and are built to withstand years of exposure to the elements.
- The galvanized finish protects the steel from corrosion. Over time, galvanized steel will discolor, this is a normal result from exposure to outdoor elements. Minor surface rust on edges and hardware is to be expected and should not affect the structural integrity of the product.

SAFETY STATEMENTS & WARNINGS

- Do not stand on, or lean objects against the bed walls as doing so may damage the product.
- Do not let children play in or around the garden bed.
- Use of this item for applications other than gardening will void the product warranty.
- Metal edges are sharp; use caution when assembling and tending to plants inside the garden bed.

Any modification to the product or failure to follow recommended care will void the product warranty.

If you experience issues with assembly or the product was damaged during shipping, please contact our customer service team through one of the methods mentioned at the top of page 1.

Please have the item number and order information ready to expedite response time.

WARNING!

Manufacturer and seller expressly disclaim any and all liability from personal injury, property damage or loss, whether direct or indirect, or incidental, resulting from the incorrect attachment, improper use, inadequate maintenance, or neglect of this product.