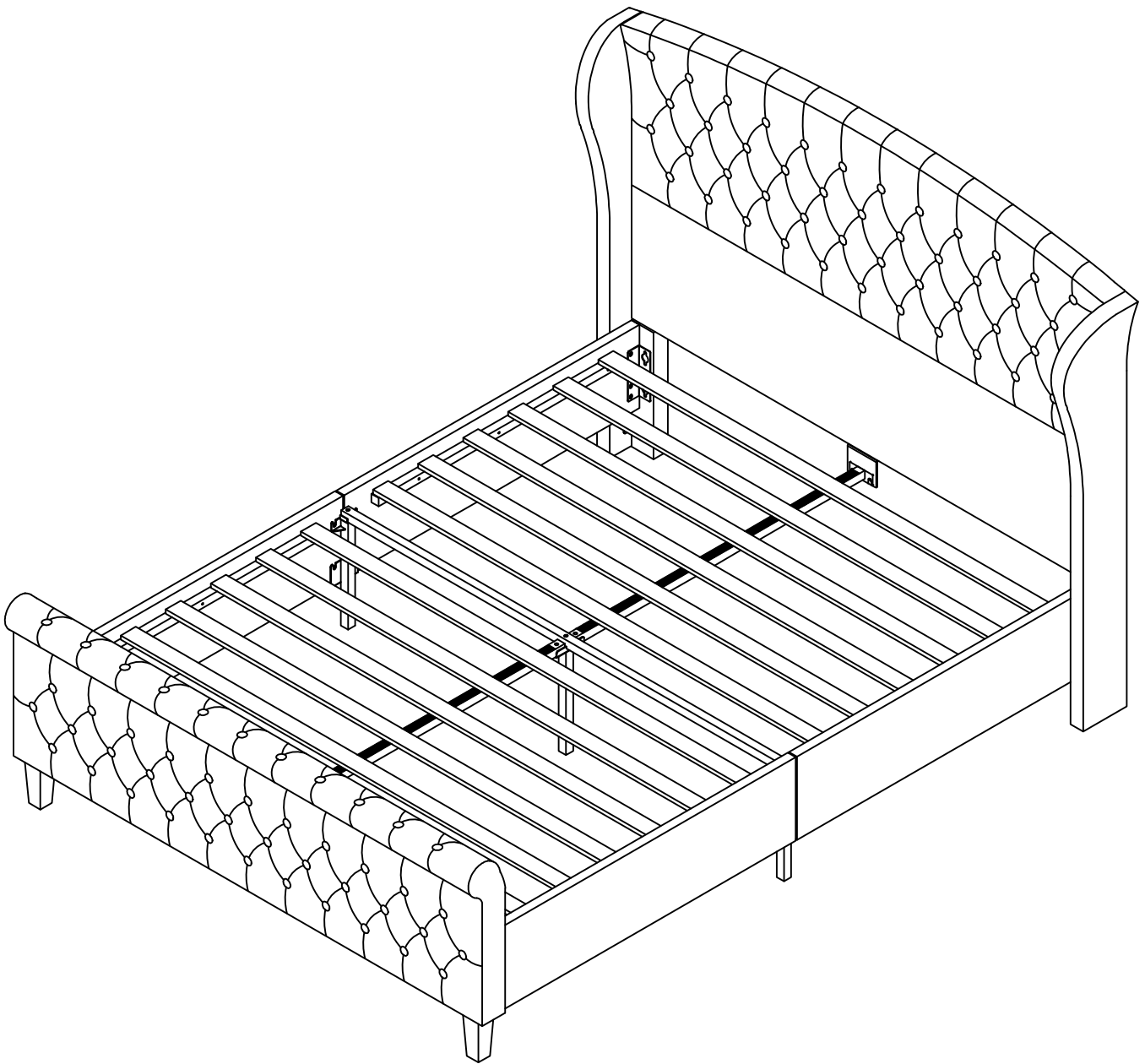


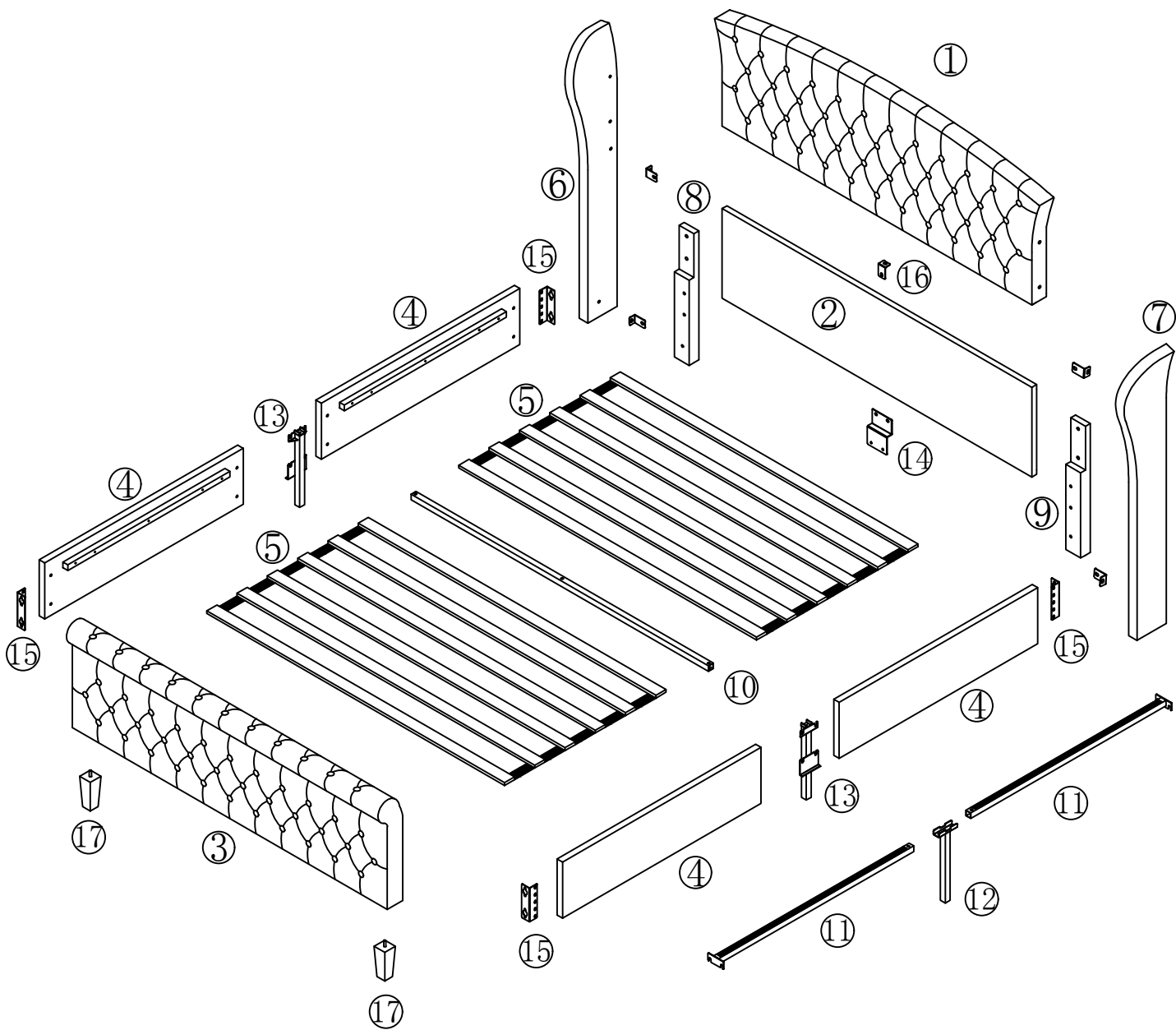
Assembly Instruction

Please check that you have all the parts listed before you start assembling,if you do find that something is missing,do not continue assembly,please contact us immediately.

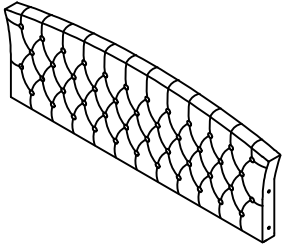
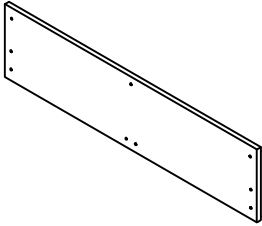
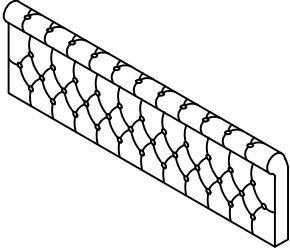
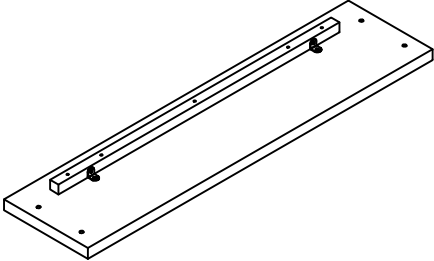
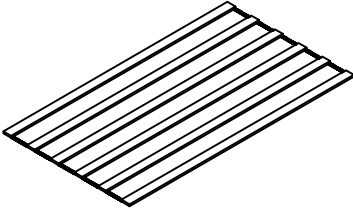
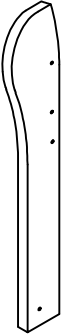

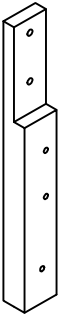

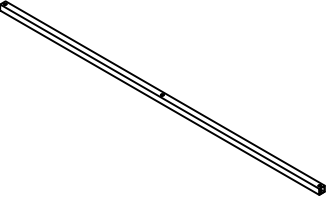
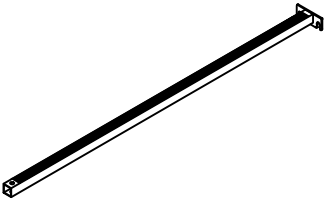
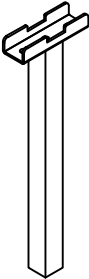
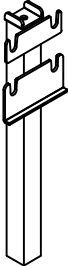
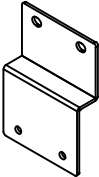
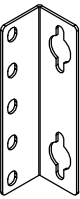
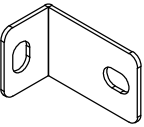
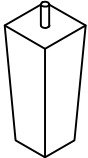
NOTE:When assembling, please do not tighten the screws one by one completely first, until making sure that all the corresponding screws are placed in the right positions.

All the parts are numbered for easy assembly. If there are any problems, please contact us promptly.

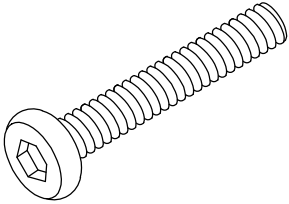
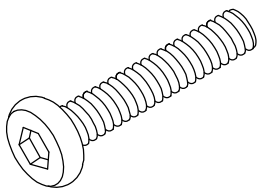
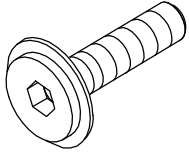
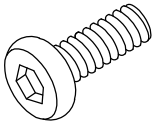
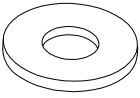





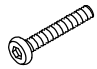

Part list

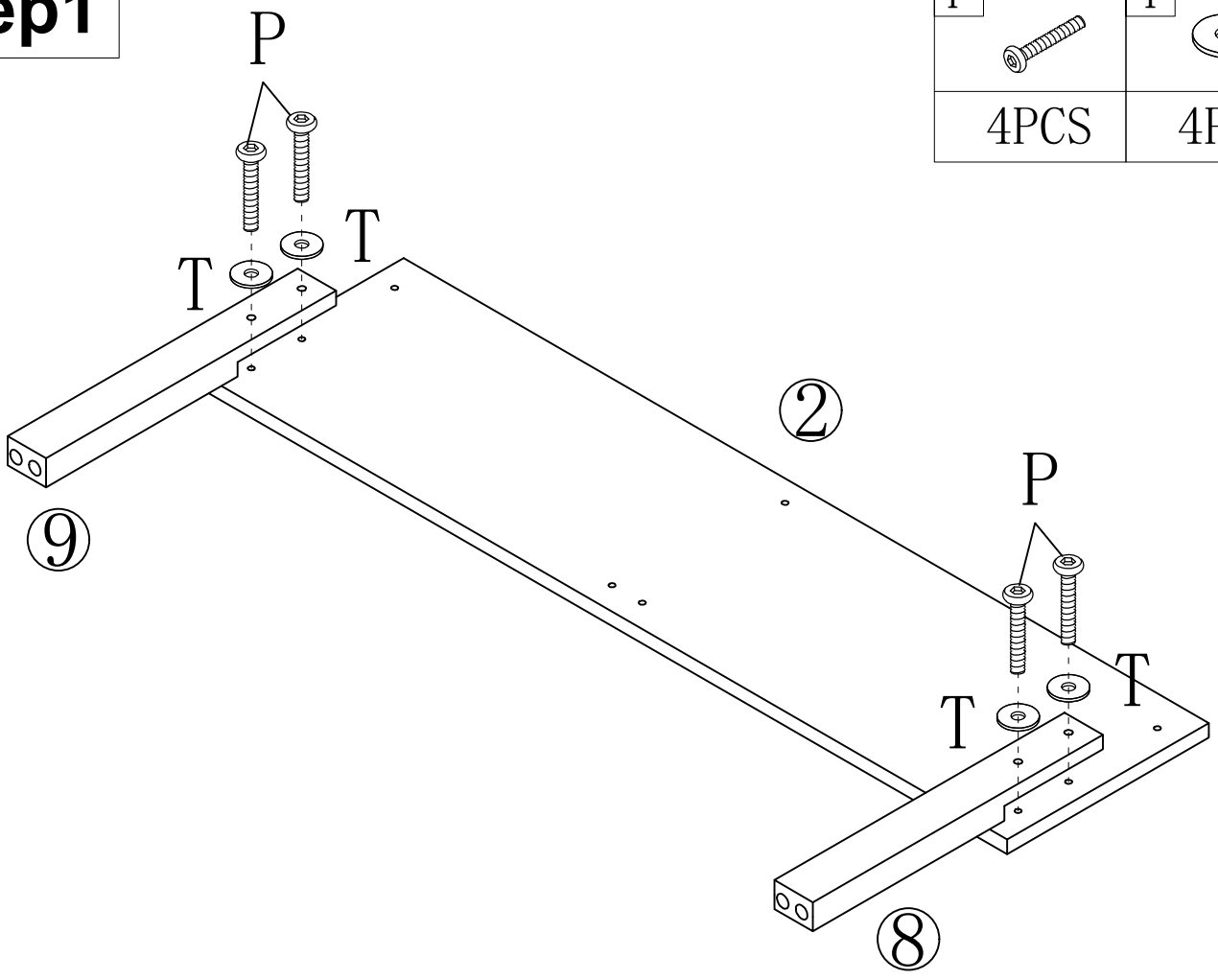
1	1PC	2	1PC	3	1PC		
							
4	4PCS	5	2PCS	6	1PC		
							
7	1PC	8	1PC	9	1PC		
							
10	1PC	11	2PCS	12	1PC	13	2PCS
							
14	1PC	15	4PCS	16	5PCS	17	2PCS
							

Part list

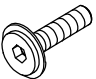
P 9PCS  M8*50	Q 4PCS  M8*40	R 37PCS  M8*25
S 3PCS  M8*16	T 8PCS  $\phi 22 * \phi 8.5$	U 1PC  M8

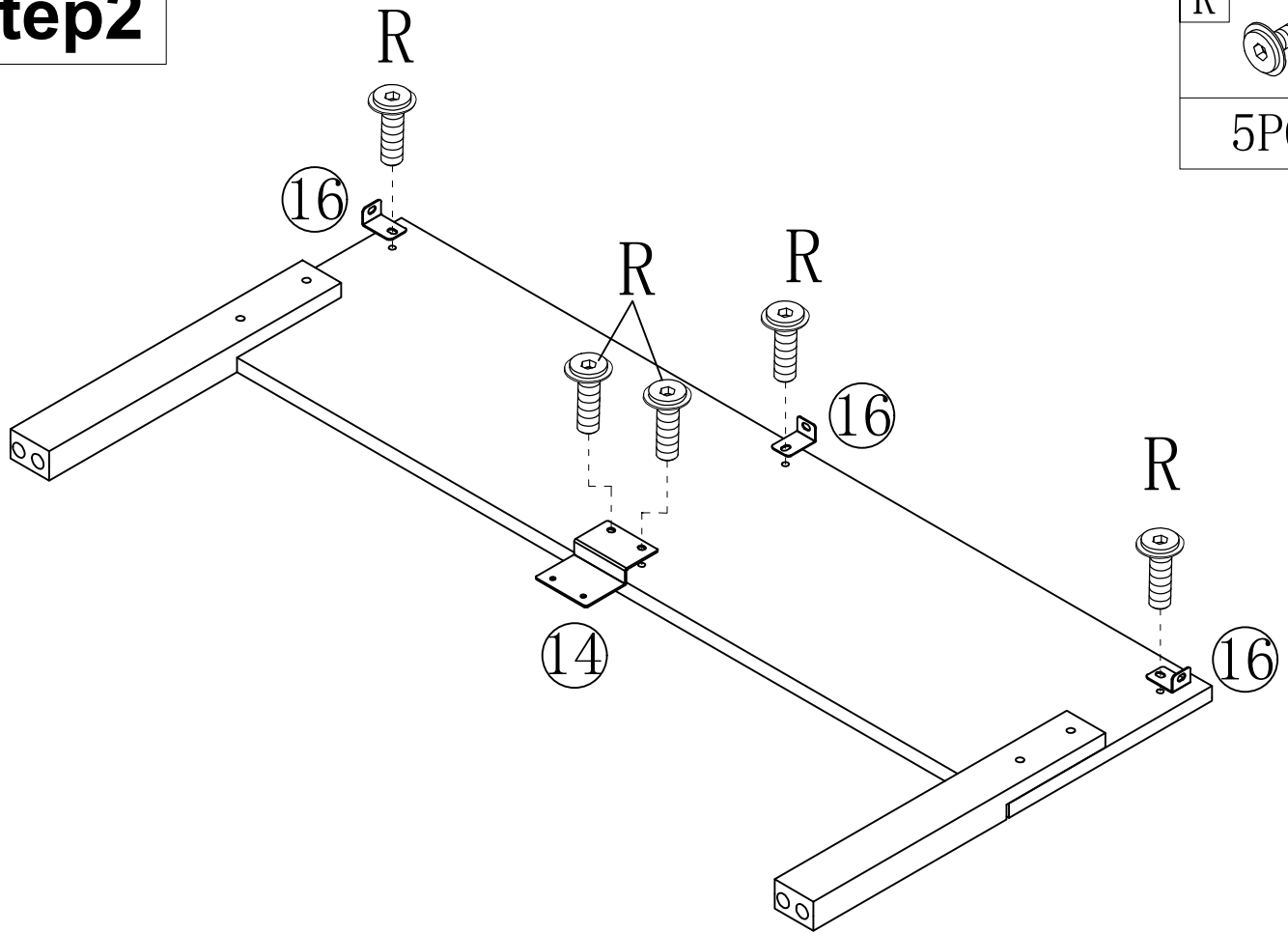
step1

P		T	
	4PCS		4PCS

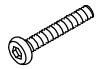



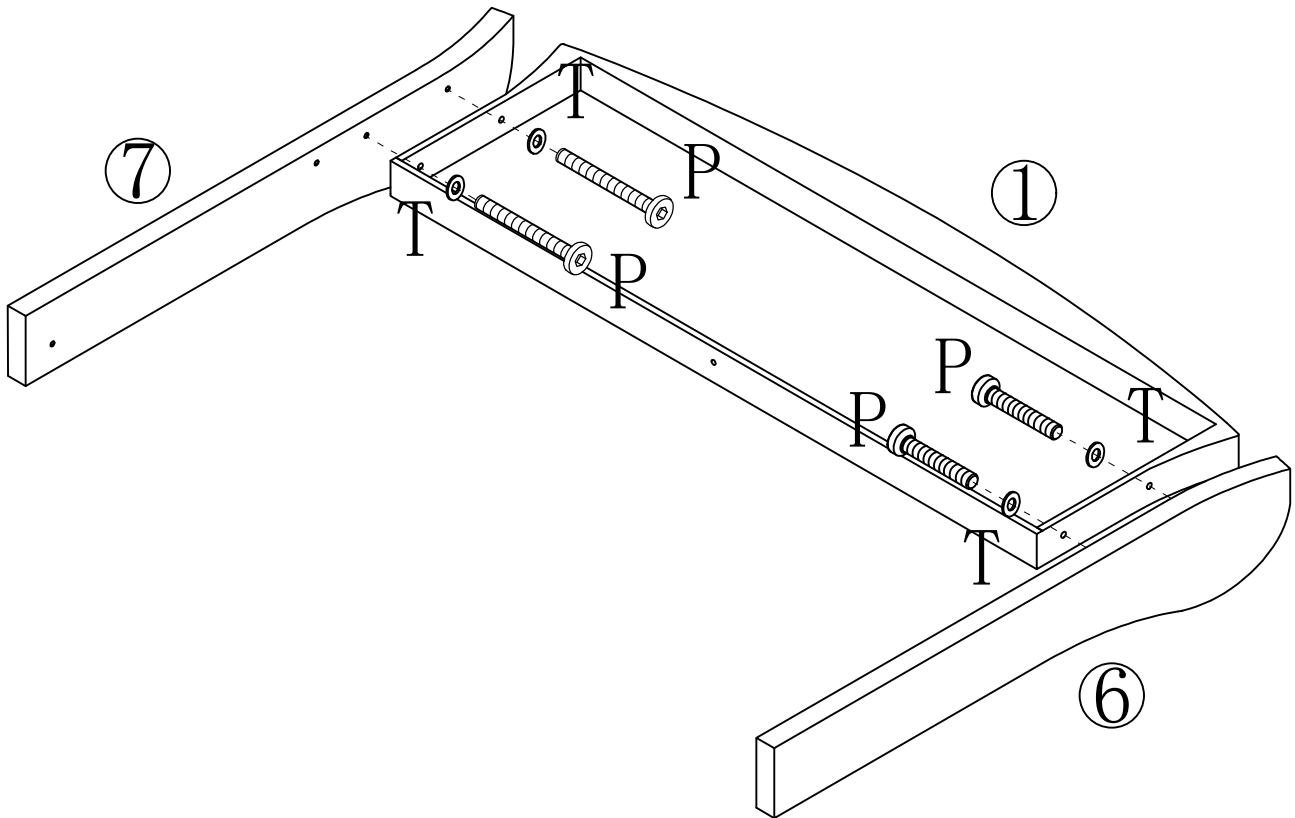
step2

R	
	5PCS

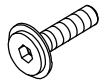
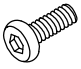


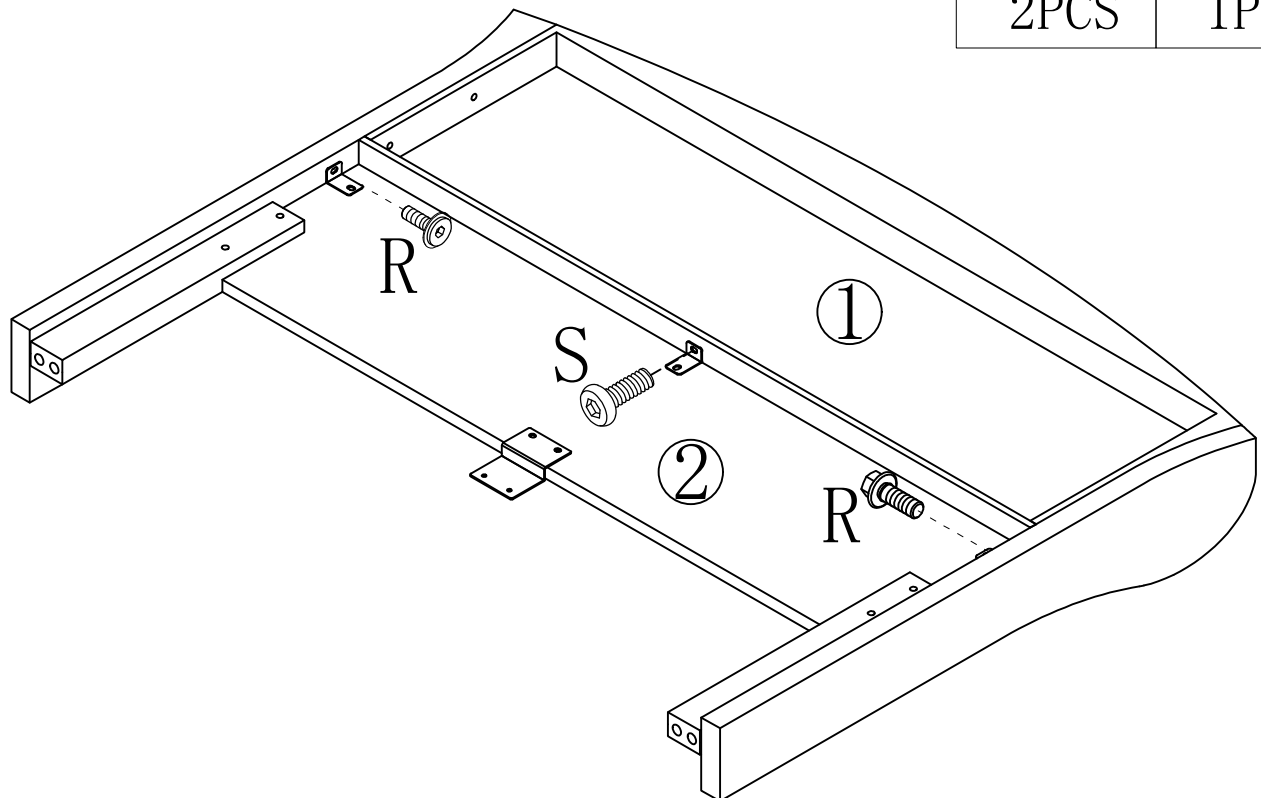
step3

P		T	
	4PCS		4PCS

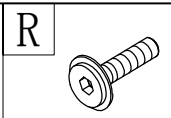


step4

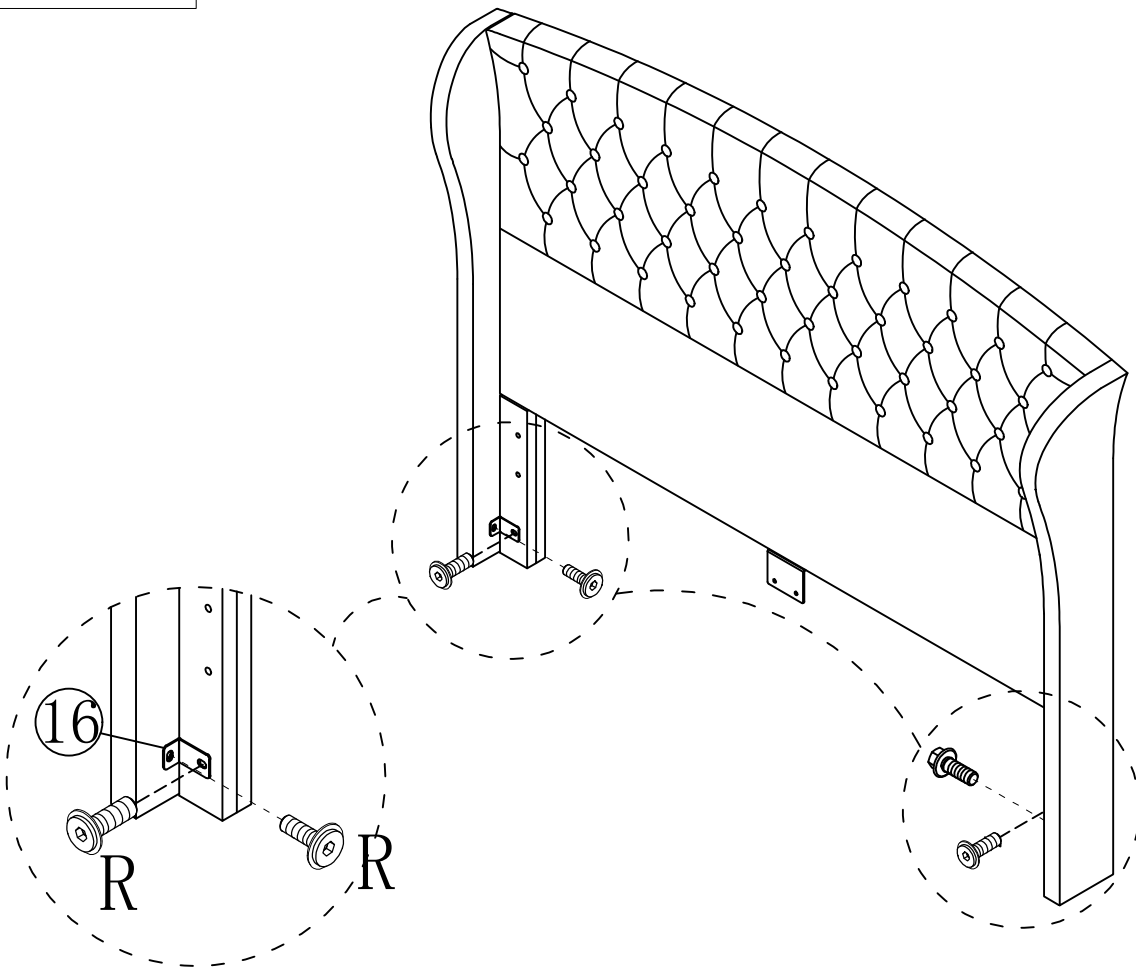
R		S	
	2PCS		1PC



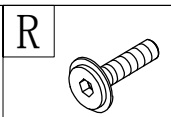
step5



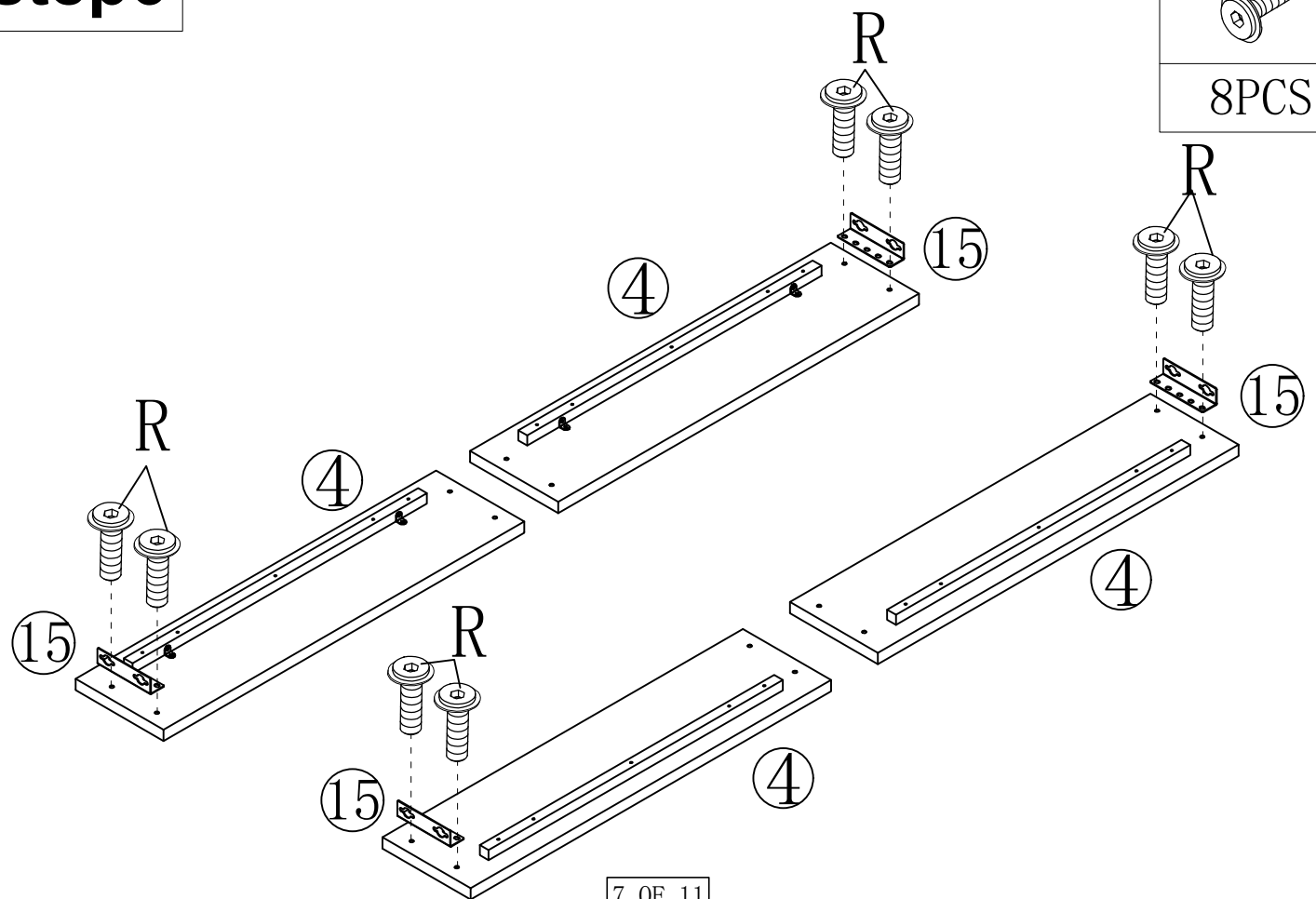
4PCS



step6

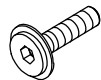


8PCS

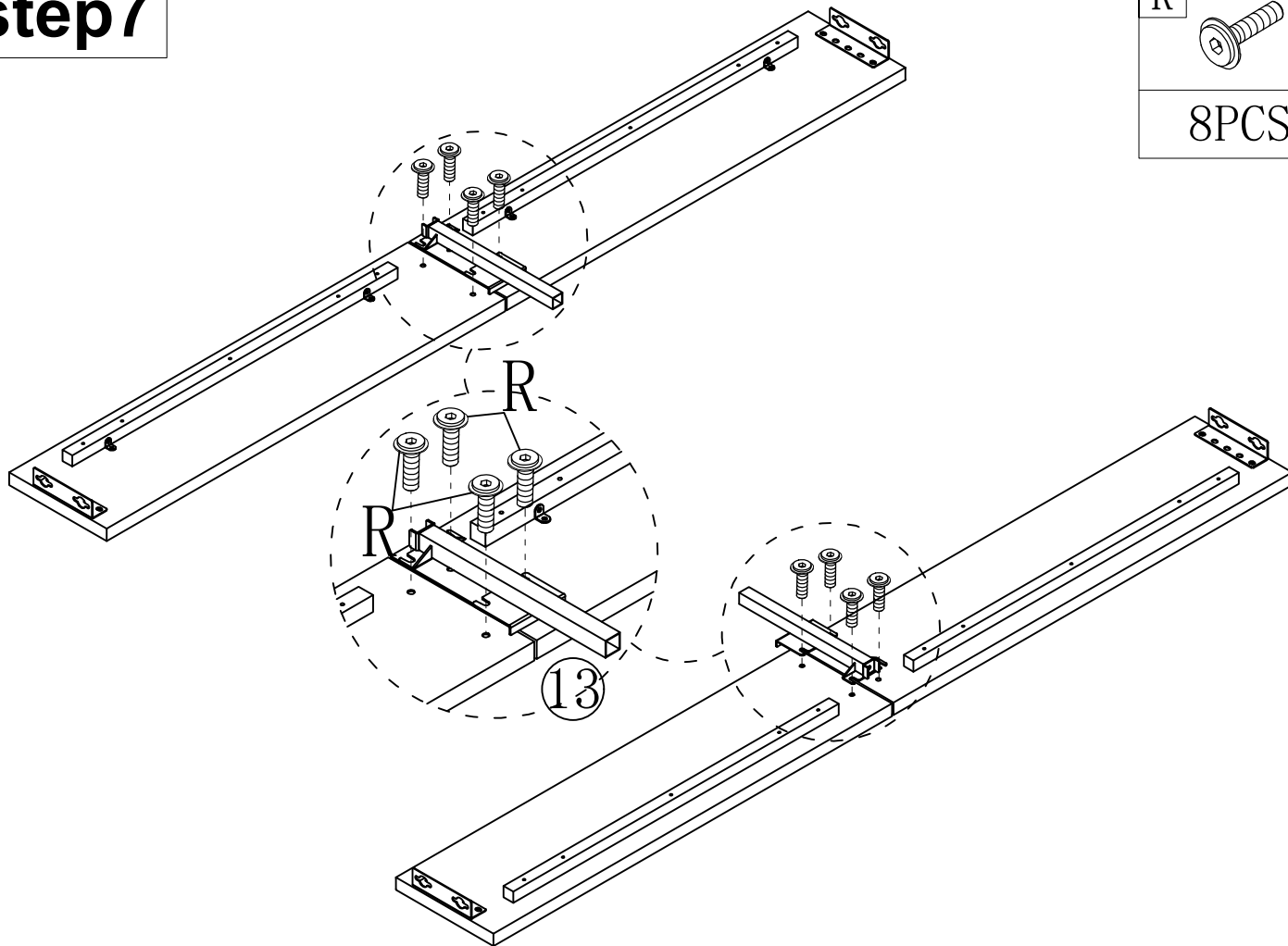


step7

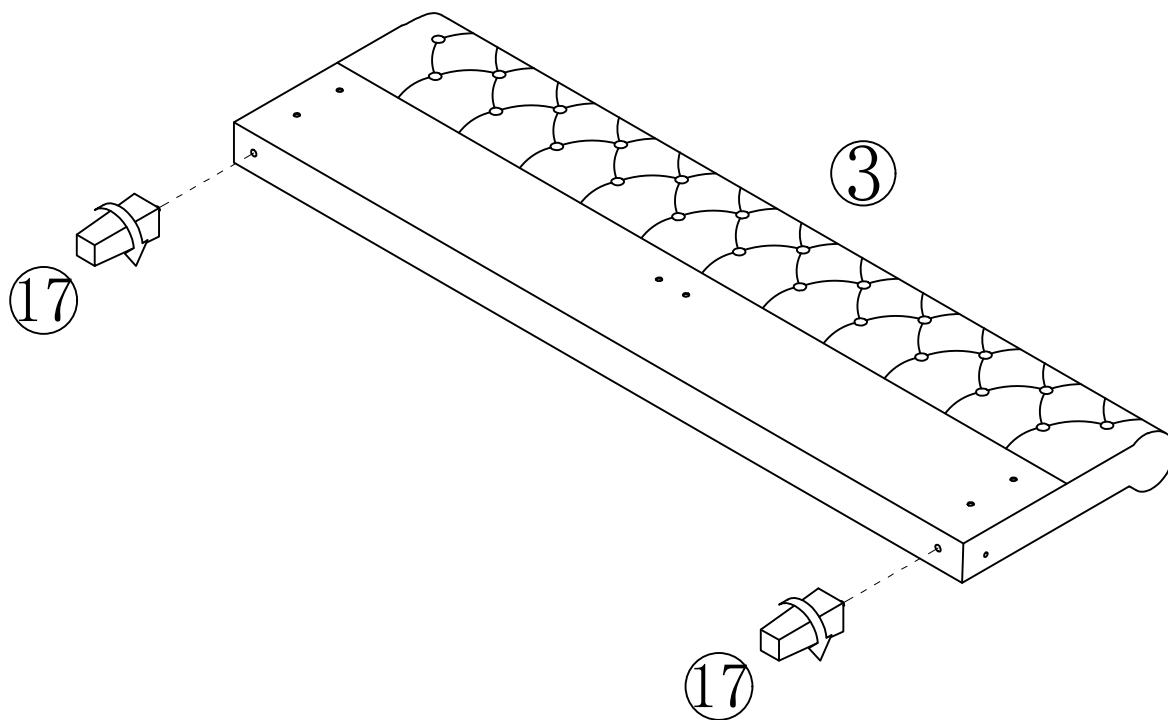
R



8PCS

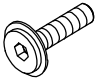


step8

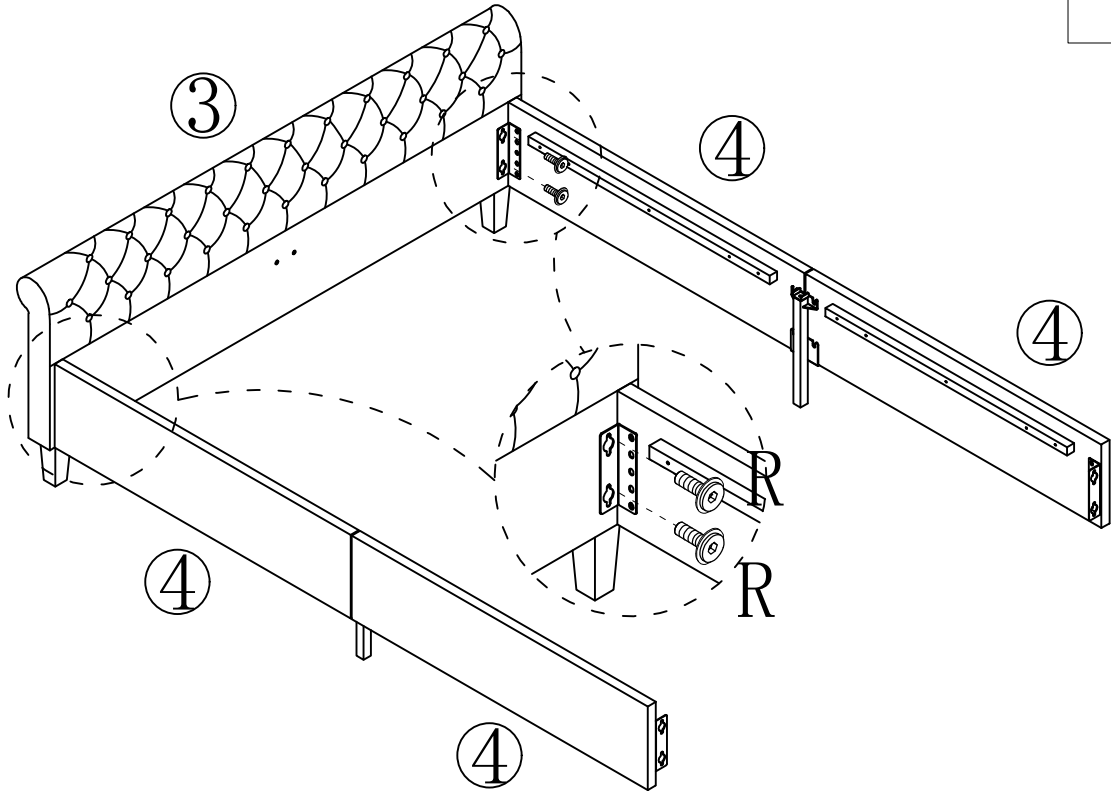


step9

R

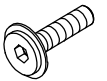


4PCS

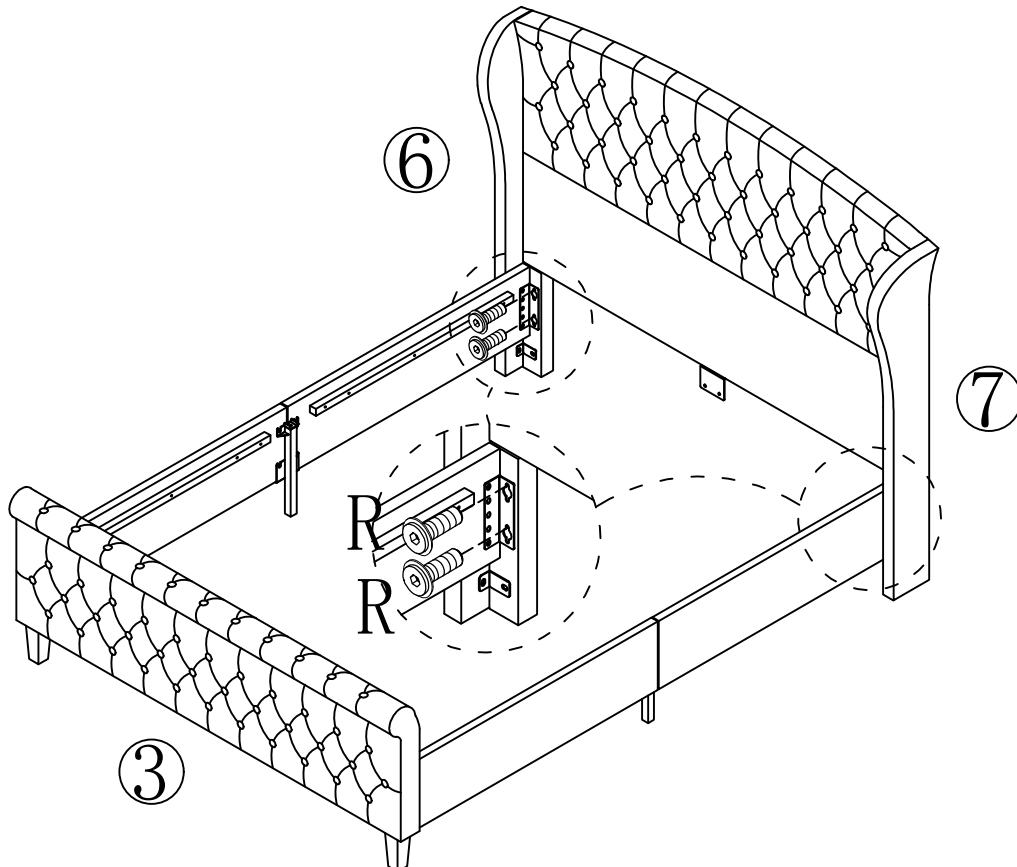


step10

R



4PCS

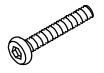


step11

P

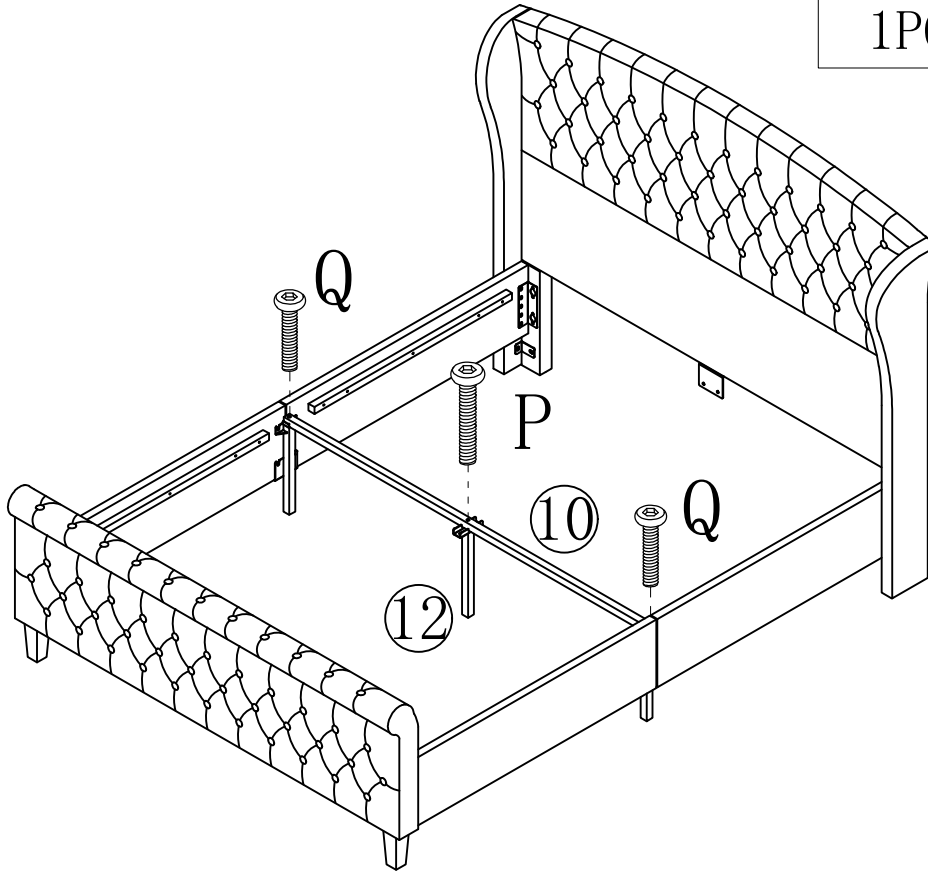


Q



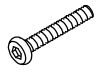
1PC

2PCS

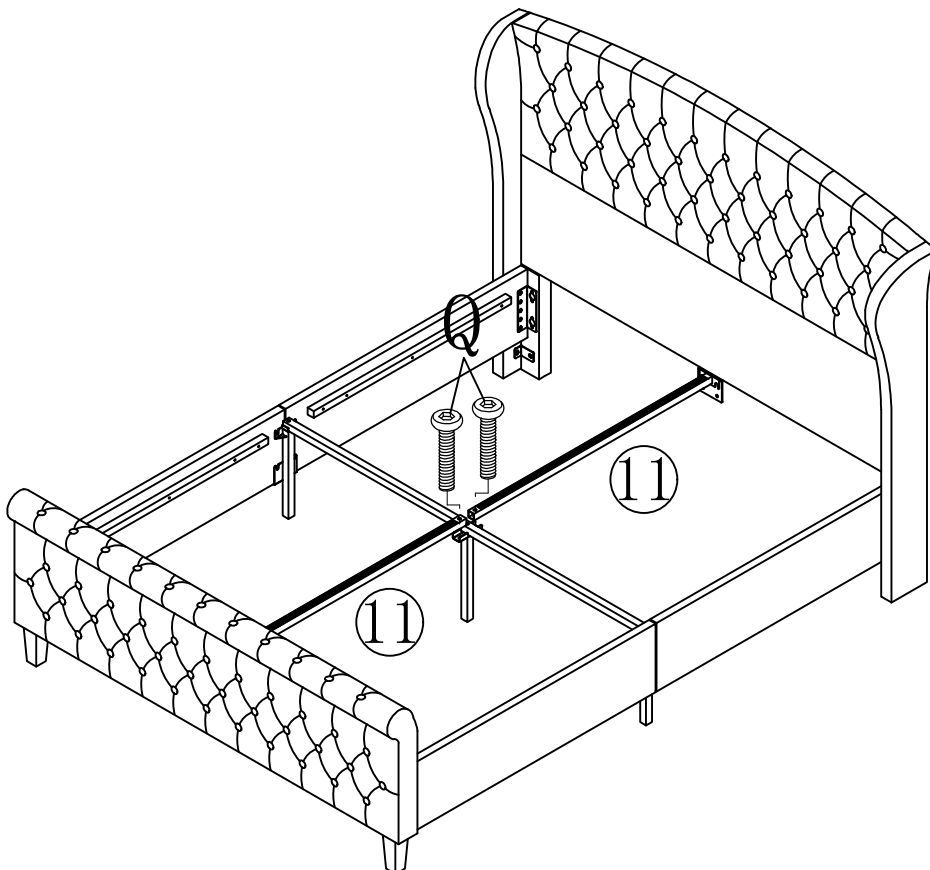


step12

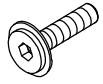

Q

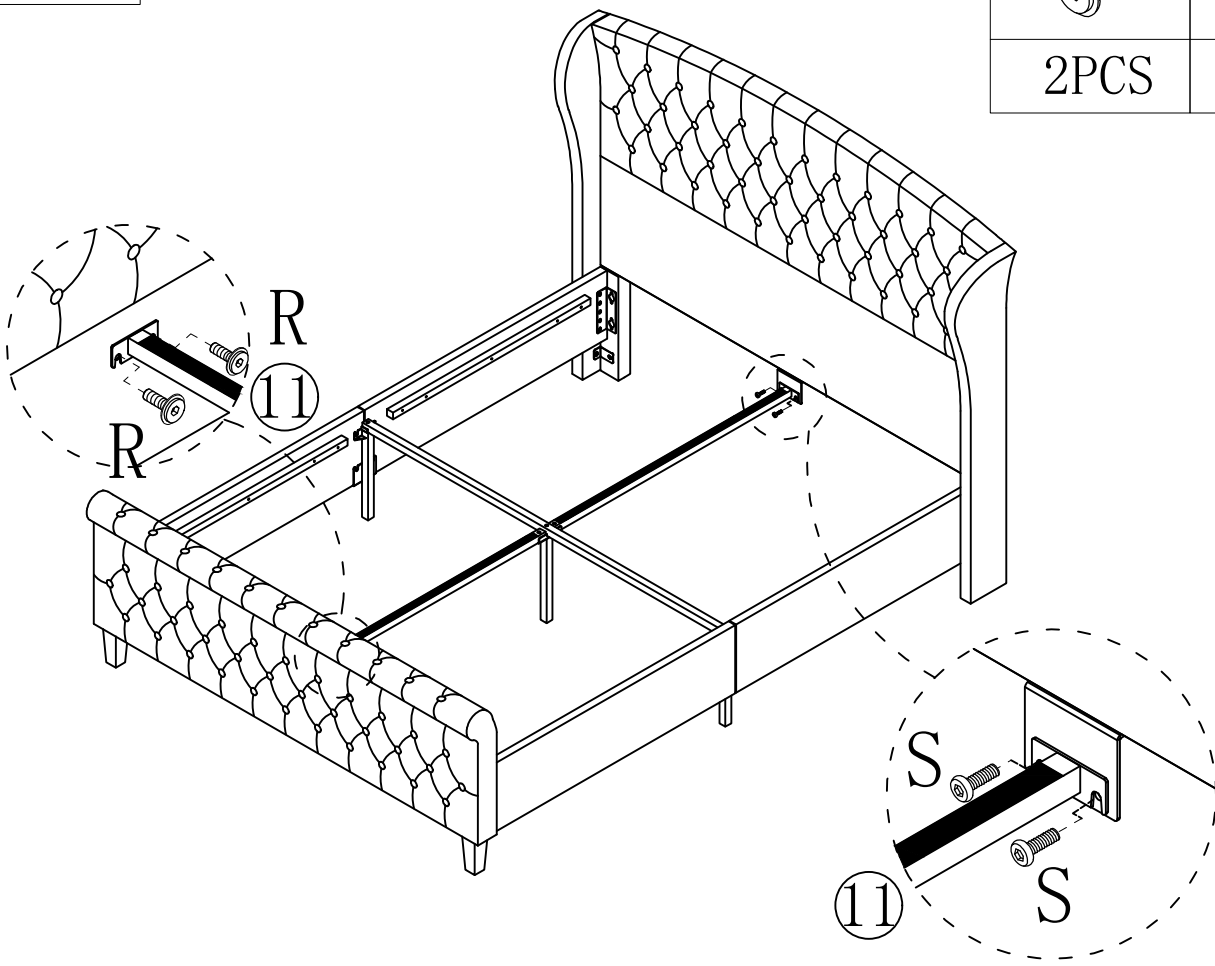


2PCS



step13

R		S	
	2PCS		2PCS



step14

