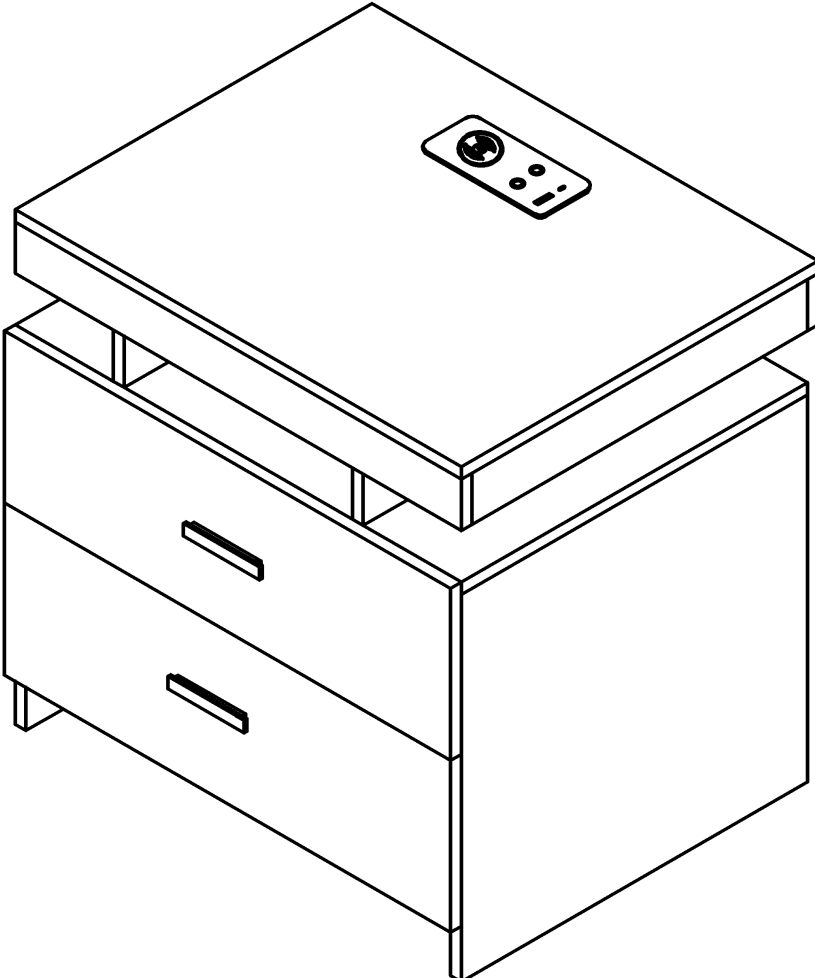
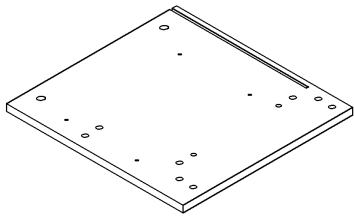
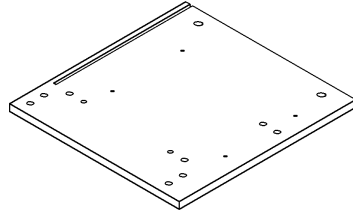


# Product Installation Instructions





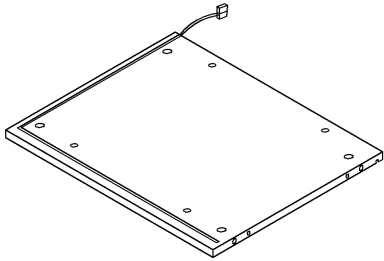
**Ax1**



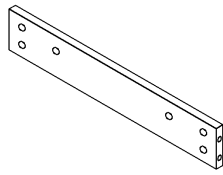
**A2x1**



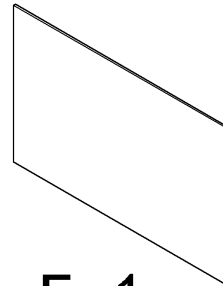
**Bx1**



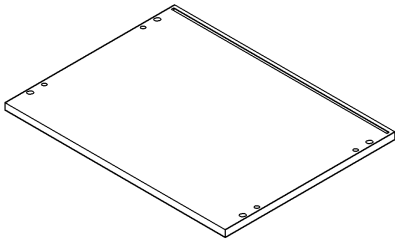
**Cx1**



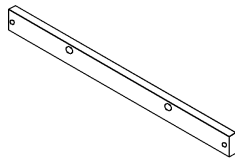
**Dx2**



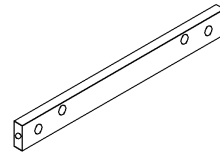
**Ex1**



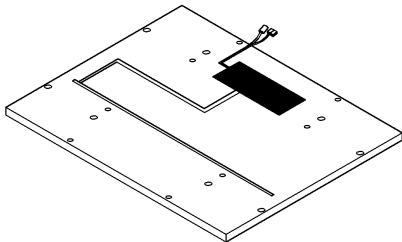
**Fx1**



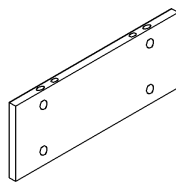
**Gx2**



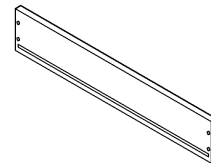
**Hx2**



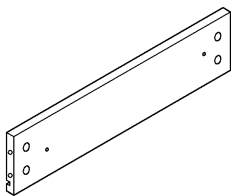
**Ix1**



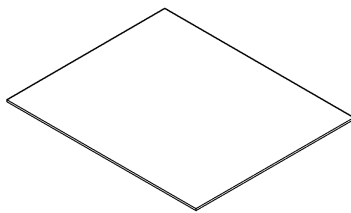
**Jx2**



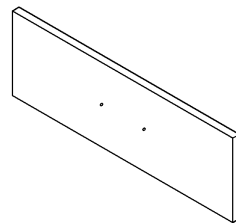
**Kx2**



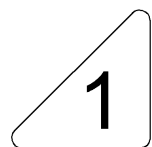
**Lx4**



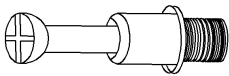

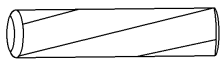
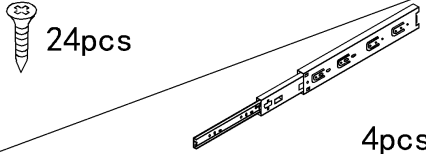

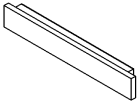
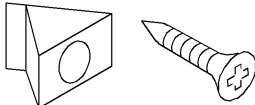
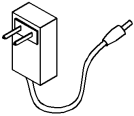
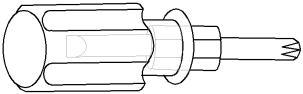
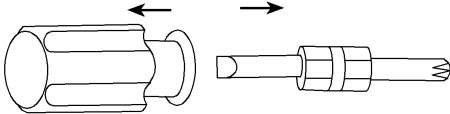
**Mx2**

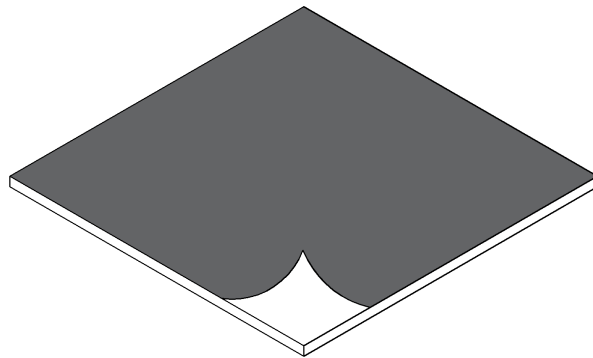


**Nx2**



**1**

<p>①</p>		<p>64pcs</p>	<p>②</p>		<p>64pcs</p>
<p>Two in one screw(6x28mm)</p>			<p>Two in one nut(10x12mm)</p>		
<p>③</p>		<p>18pcs</p>	<p>④</p>	 <p>24pcs</p> <p>4pcs</p>	
<p>Wood chipping(6x30mm)</p>			<p>Guide&amp; screw(3x12mm)</p>		
<p>⑤</p>	 <p>4pcs</p>	 <p>2pcs</p>	<p>⑥</p>		<p>4pcs</p>
<p>Handle &amp; screw(4x16mm)</p>			<p>Back plate buckle &amp; Screw (3x16mm)</p>		
		<p>1pcs</p>			
<p>AC/DC Adapter (12V==3.0A)</p>					
 <p>1pcs</p>			 <p>Double-head screwdriver, use as required</p> <div style="text-align: right; border: 1px solid black; padding: 5px; width: 50px; margin: 0 auto;"> <p>2</p> </div>		



The plates used in this product are bright plates,

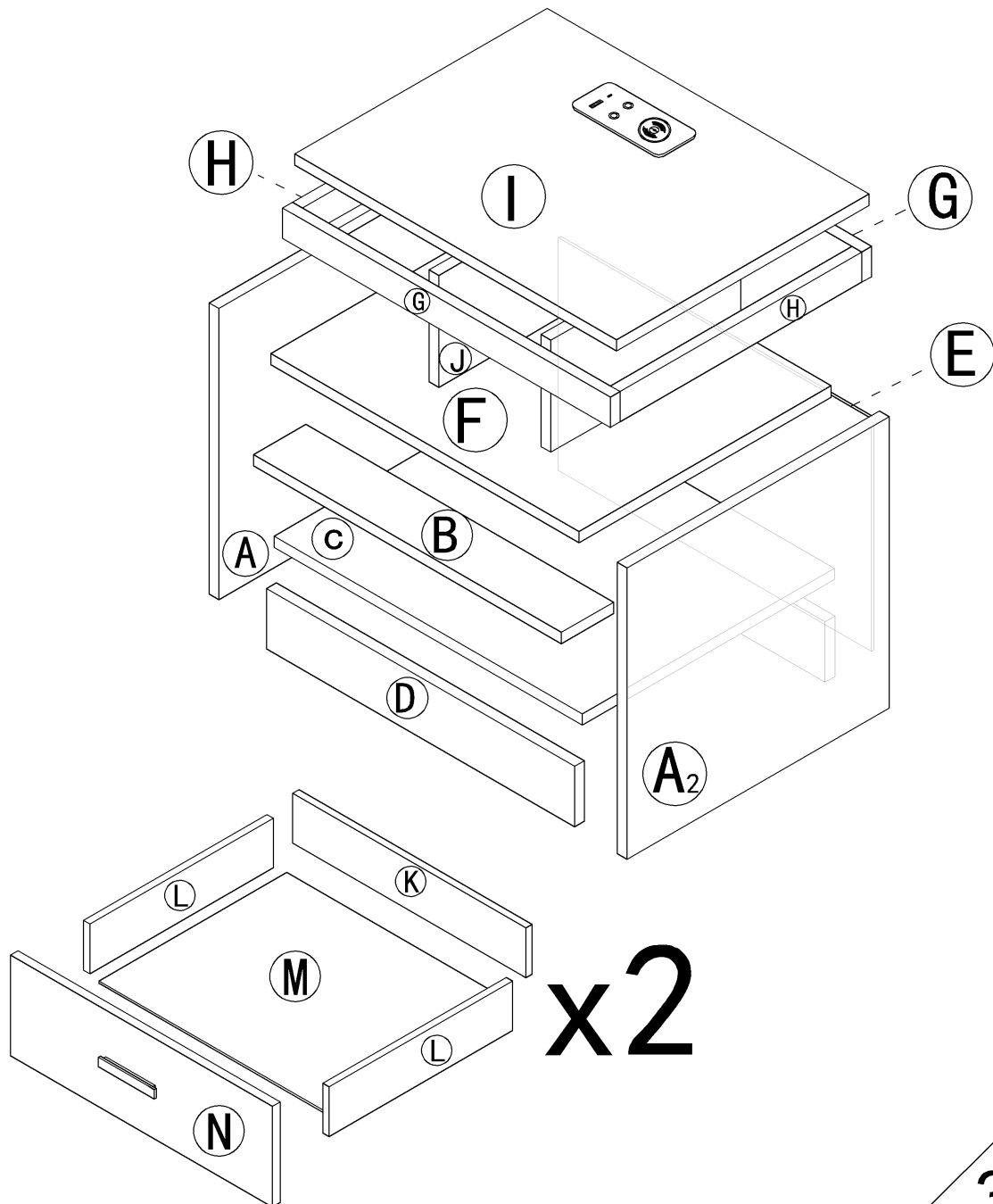
With a transparent protective film

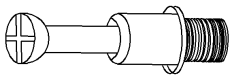

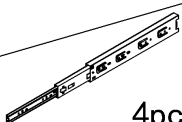



The function of the protective film is prevent the product from being scratched during transportation

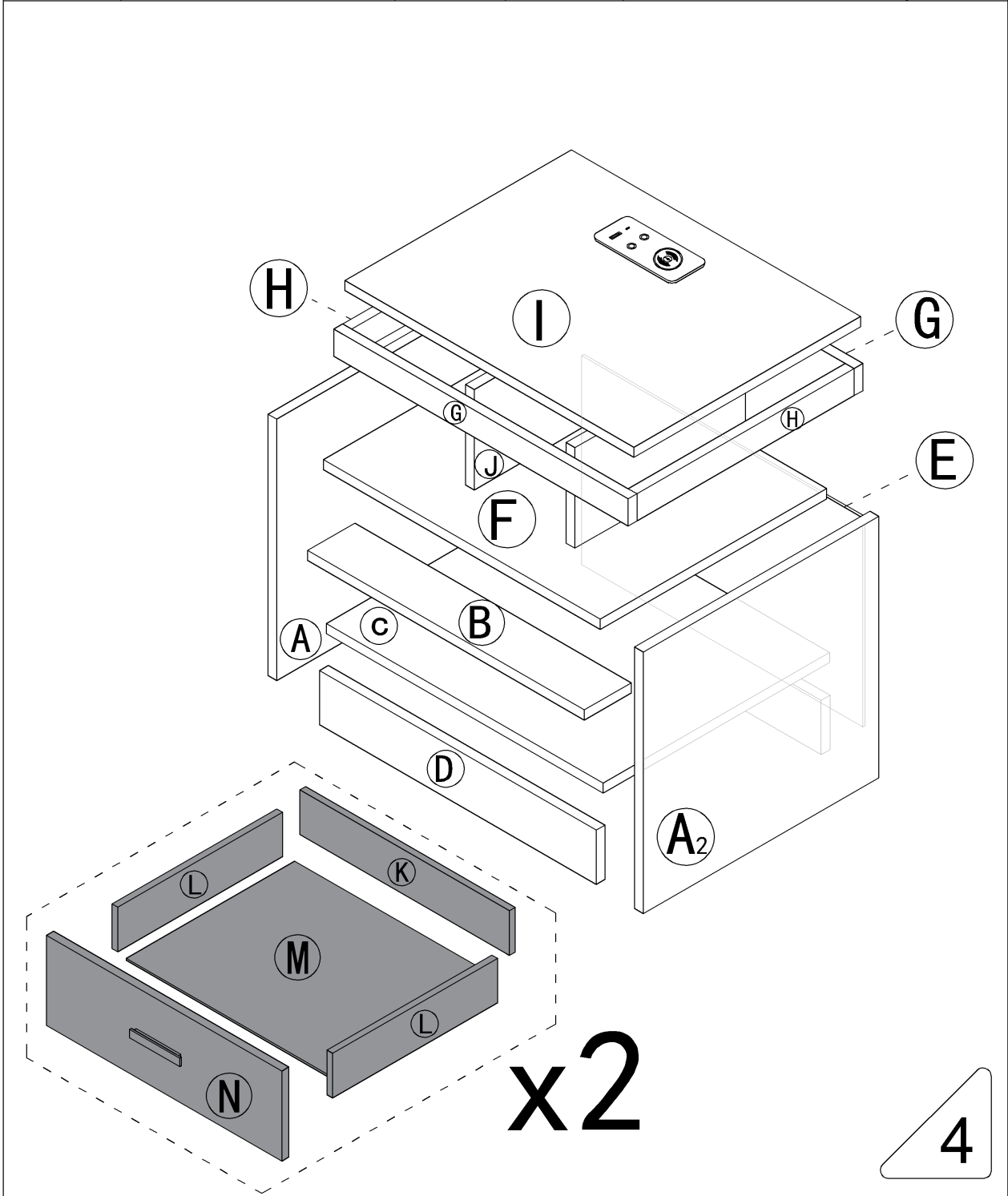
Please remove the protective film before installing the product,

Avoid difficult removal of the protective film after installation

# Product structure decomposition

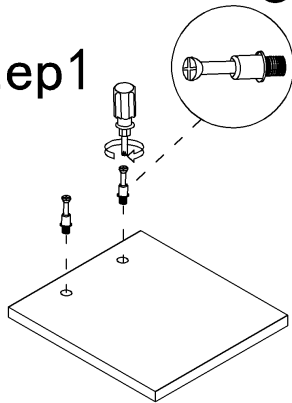


<p>1</p> 	<p>16pcs</p>	<p>4</p> 	<p>8pcs</p>  <p>4pcs</p>
<p>2</p> 	<p>16pcs</p>	<p>5</p> 	<p>4pcs</p>  <p>2pcs</p>

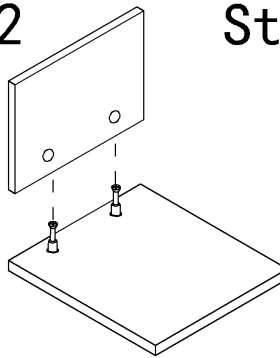


Use parts ① and ②

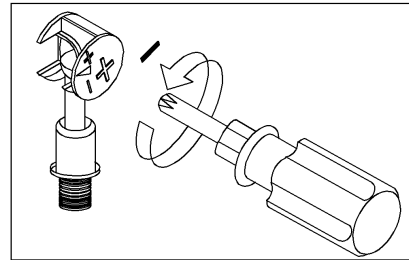
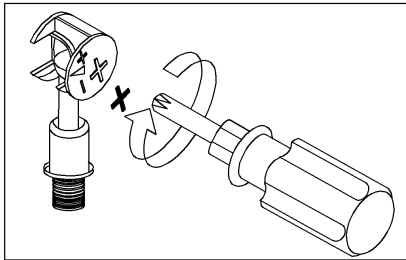
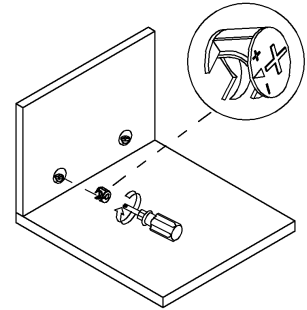
Step1



Step2



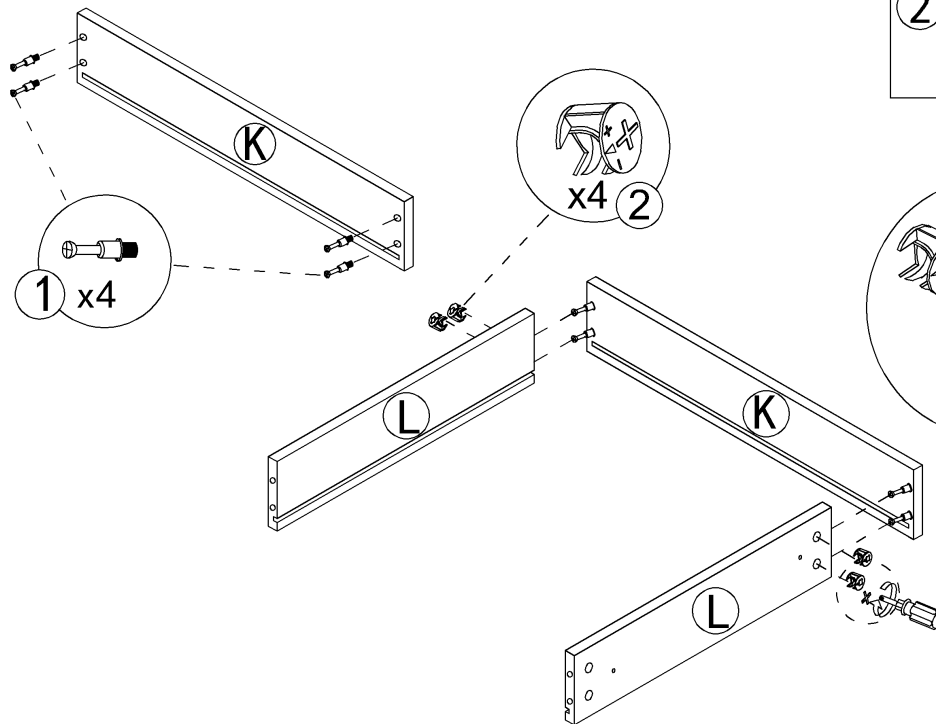
Step3



Use a screwdriver to lock in the direction of the "+" sign

Disassemble along the direction of "-" sign

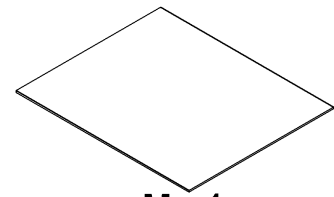
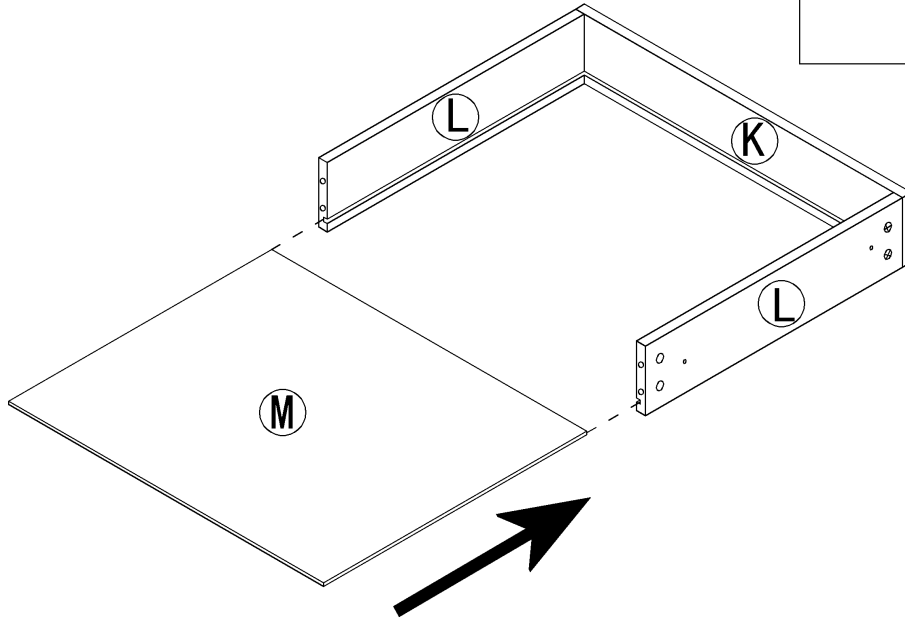
Step 1



① x4

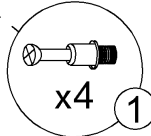
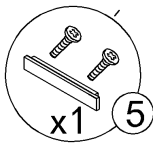
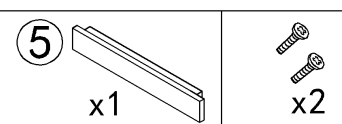
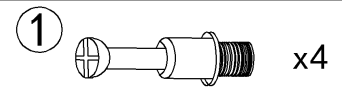
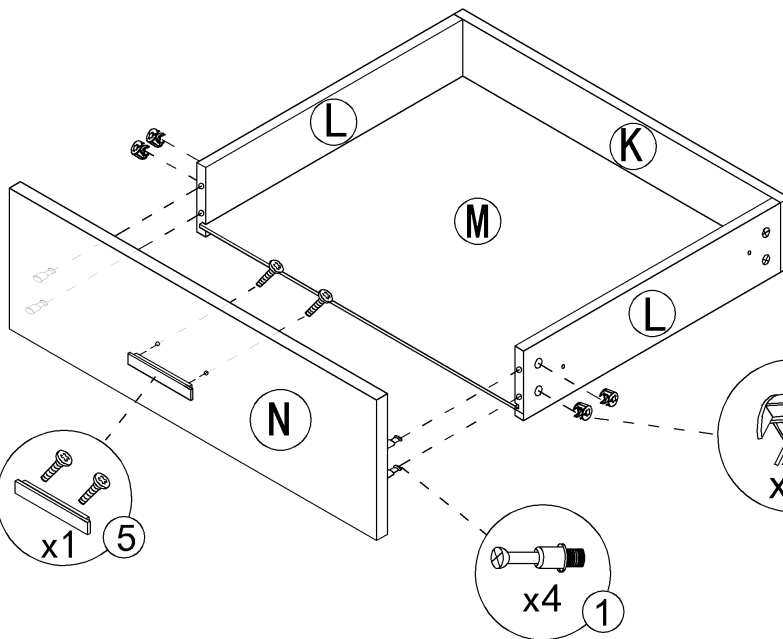
② x4

Step 2

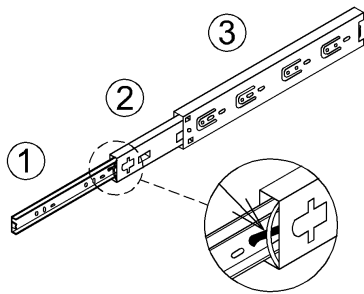


Mx1

Step 3

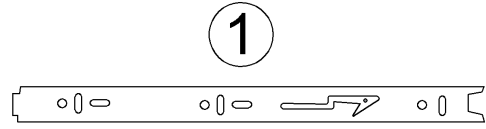


Drawer rail breakdown diagram



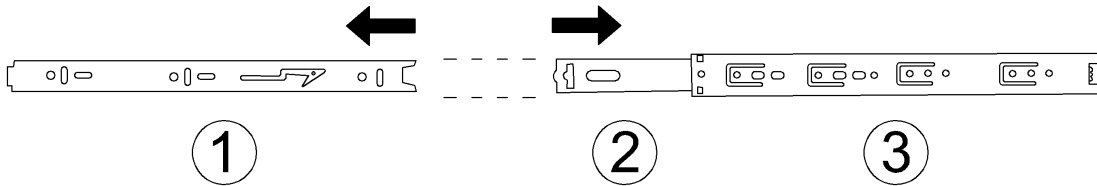
Step 1 : Pull the rails apart

Step 2 : Push the nylon buckle outward ①



②

③

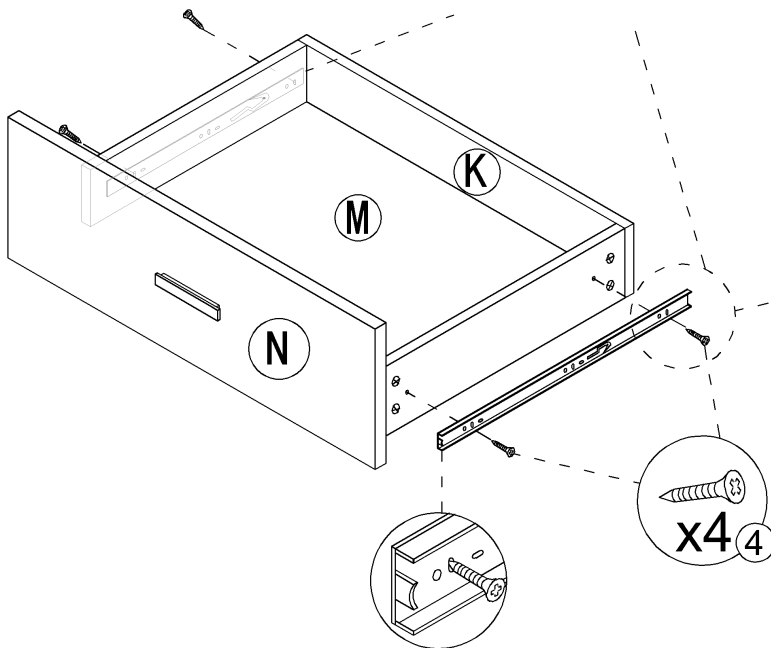
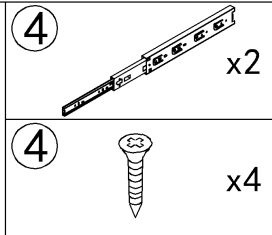
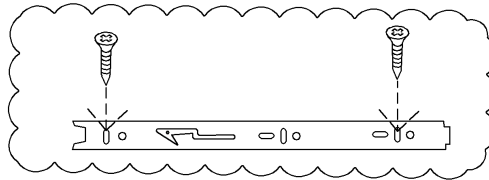


①

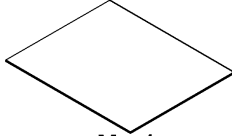
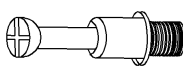


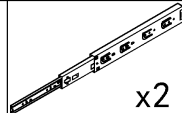
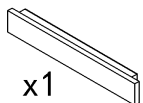

②

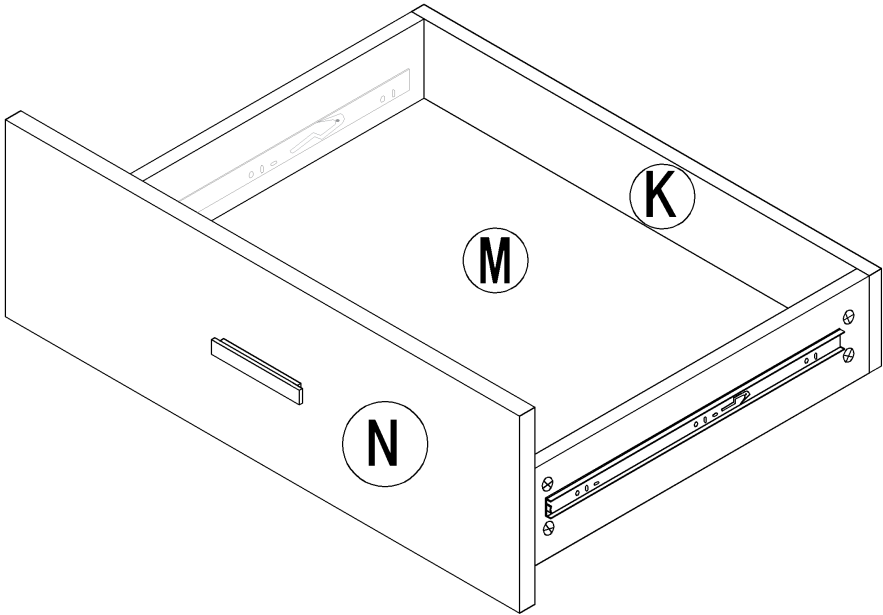
③

Step 4



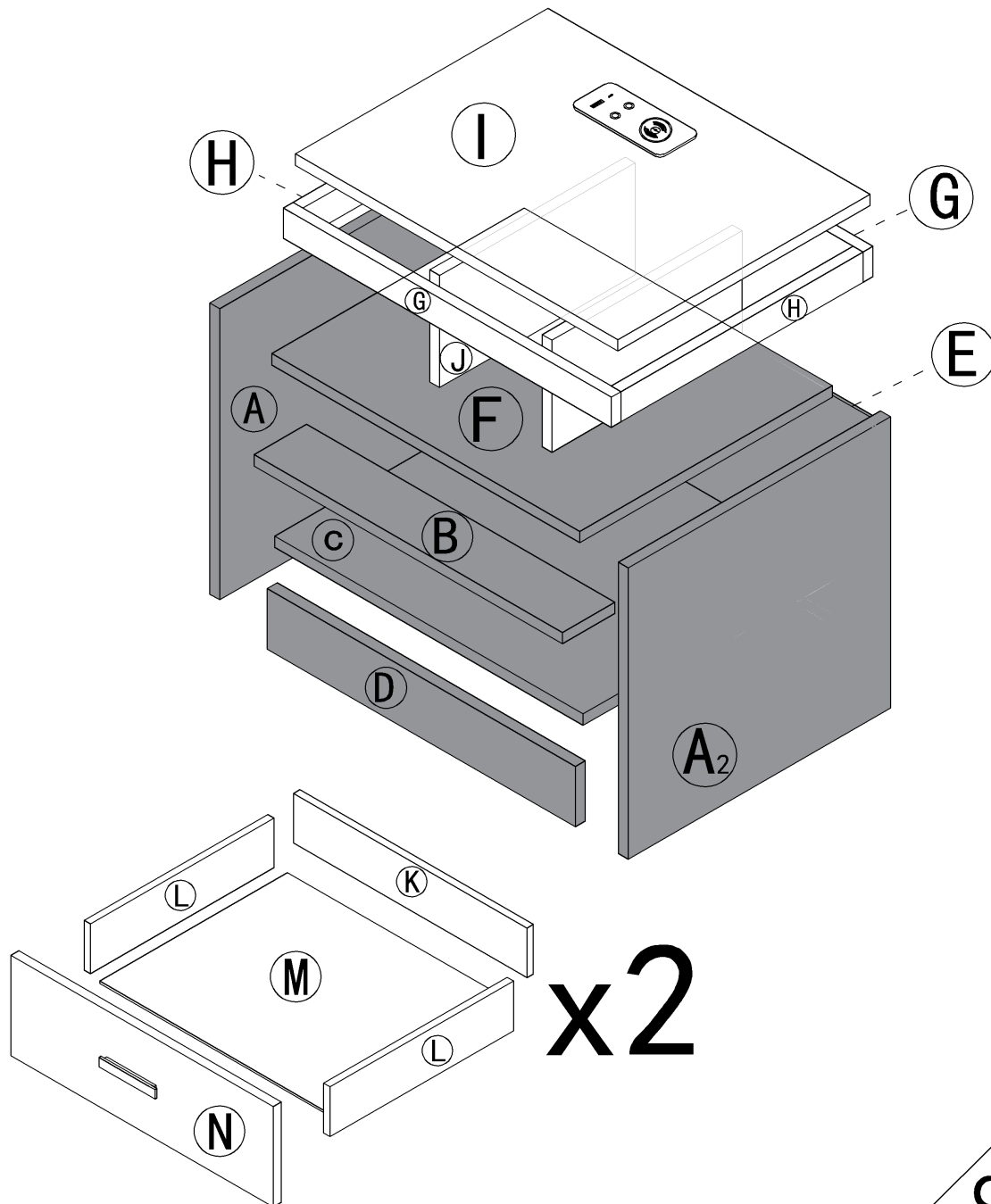
Step 5

 <p>Mx1</p>	①  x8
②  x8	④  x4  x2
⑤  x1	 x2



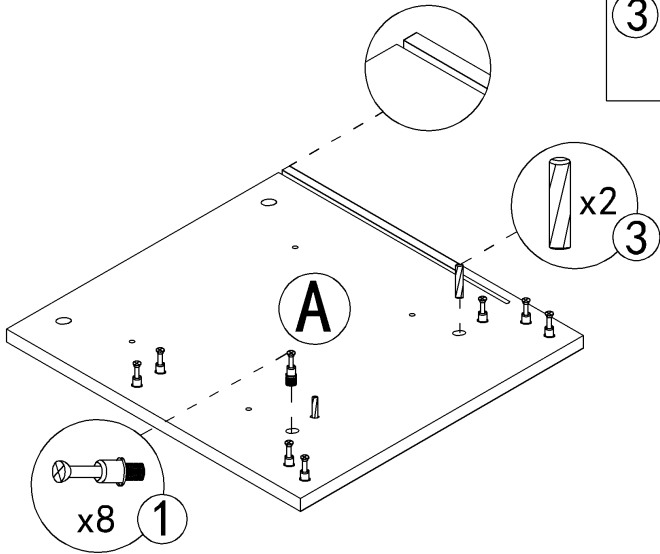
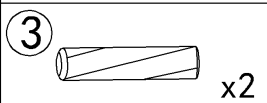
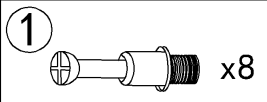
Use the same way to instalthe drawer

①		24pcs	③		12pcs
②		24pcs	④		12pcs

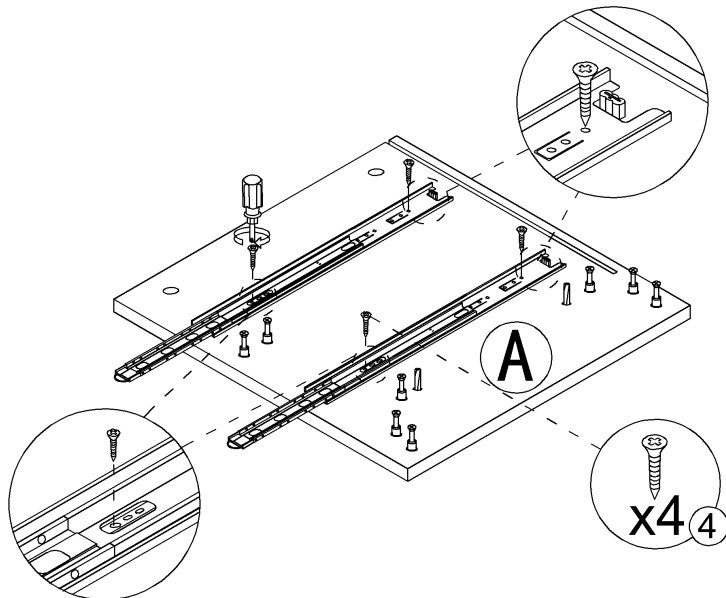
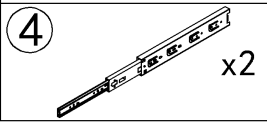


**x2**

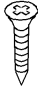
Step 6

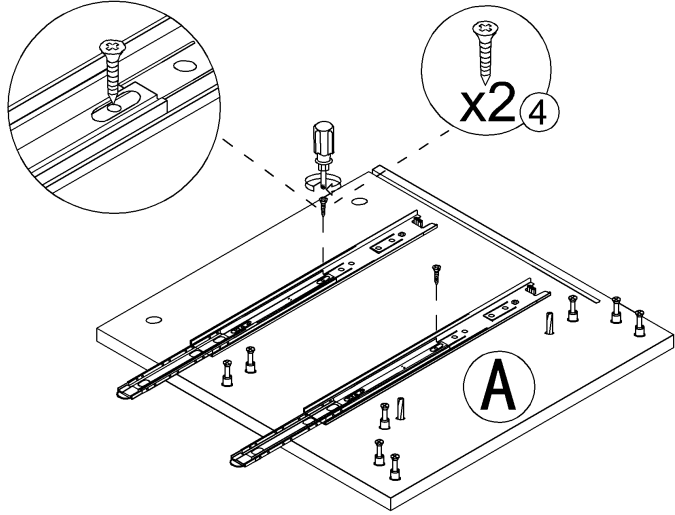


Step 7



Step 8

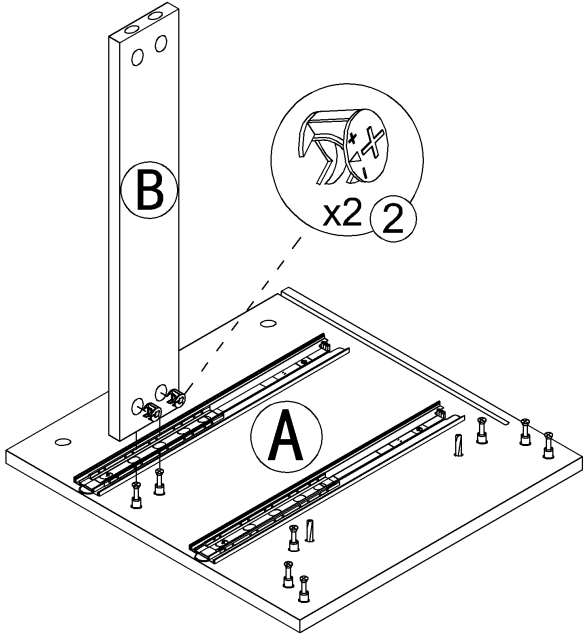
④  x2



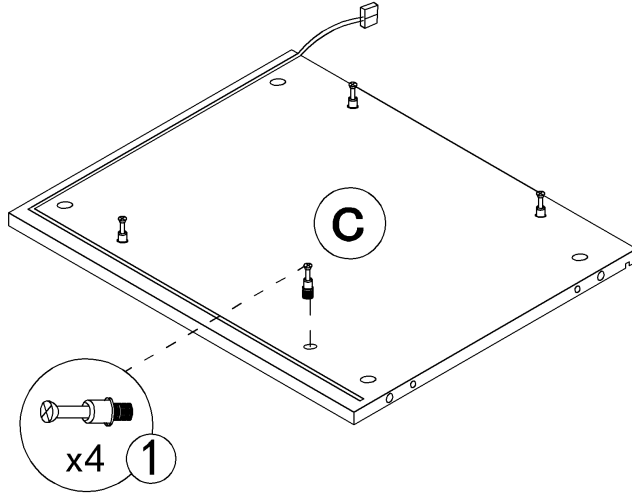
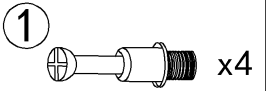
This hole is for strengthening fixed hole customers can choose to install according to their needs.

Step 9

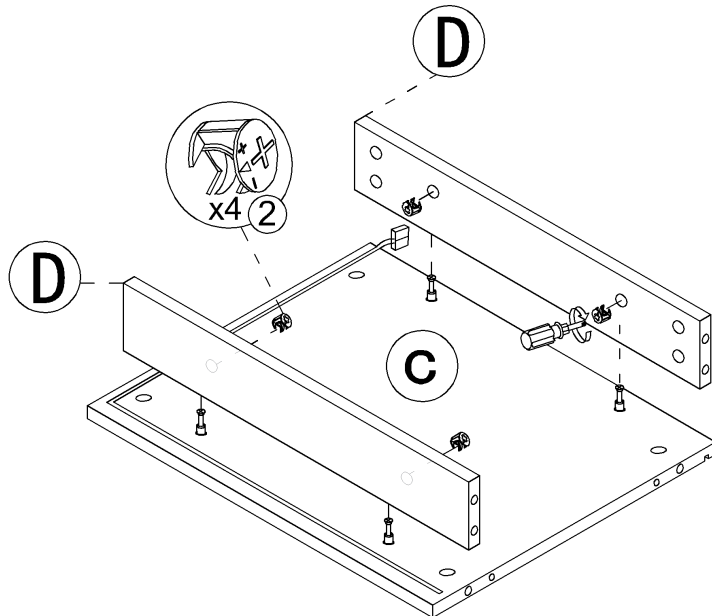
②  x2



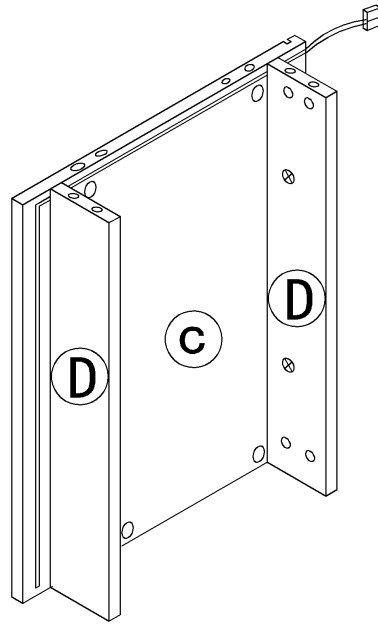
Step 10



Step 11

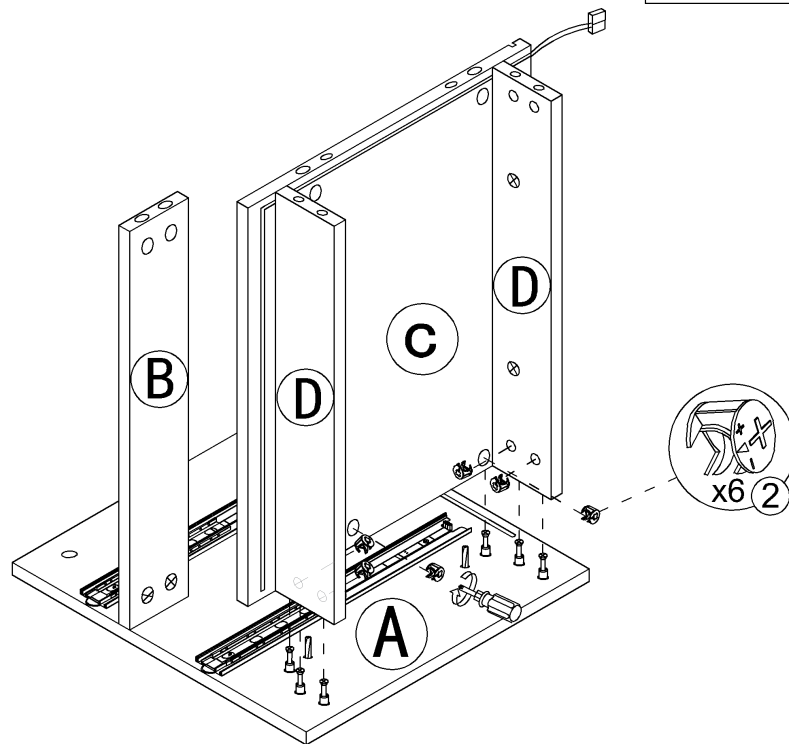


Step 12

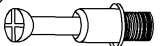
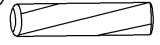


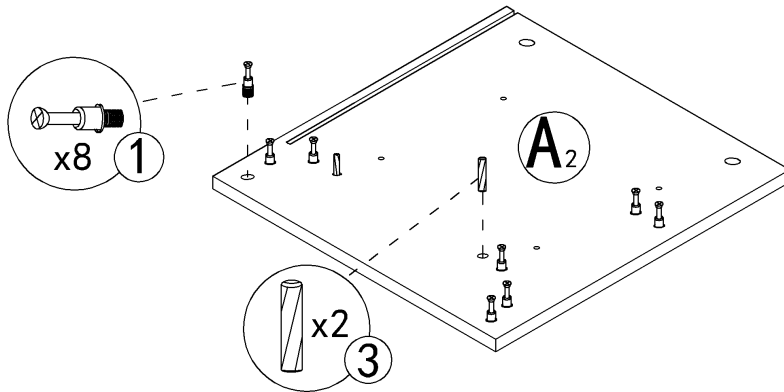
Step 13

②  x6


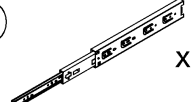


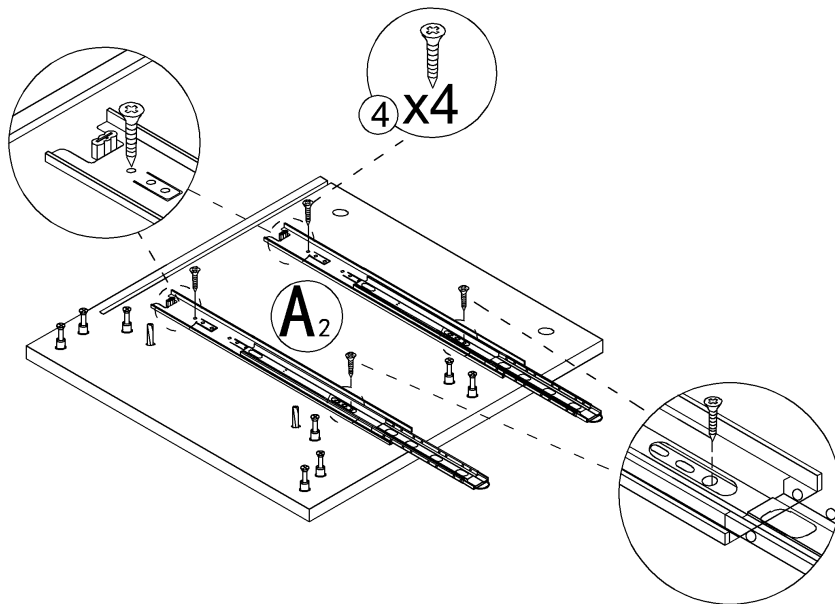
Step 14

- 1  x8
- 3  x2



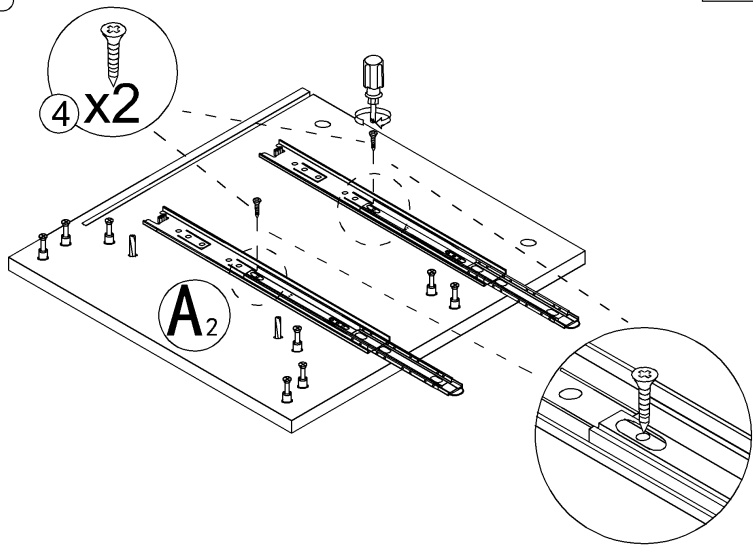
Step 15

- 4  x4
- 4  x2



Step 16

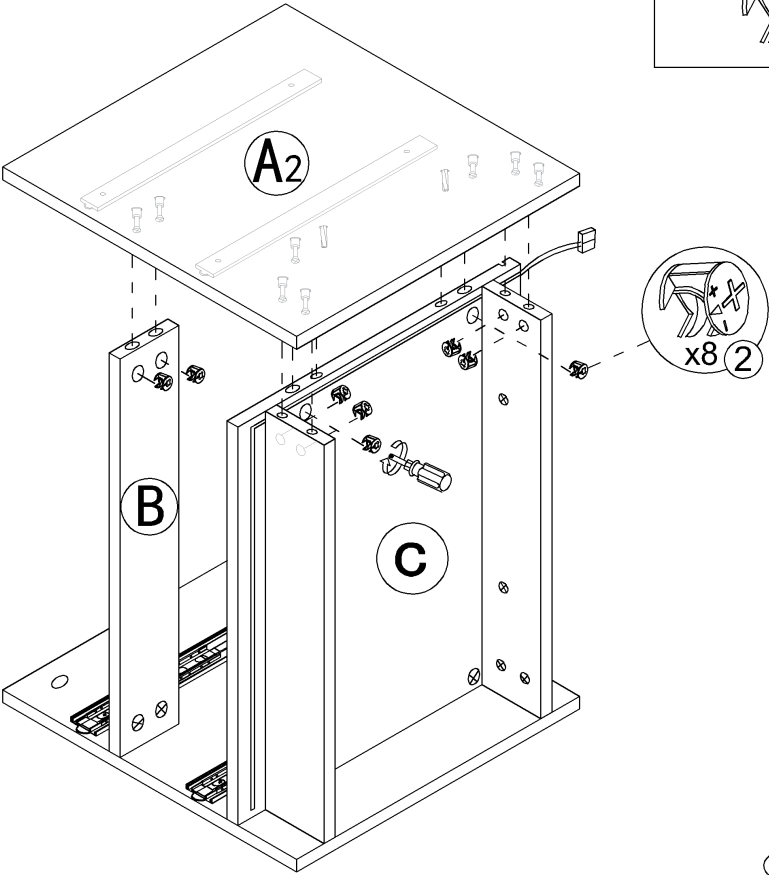
4  x2



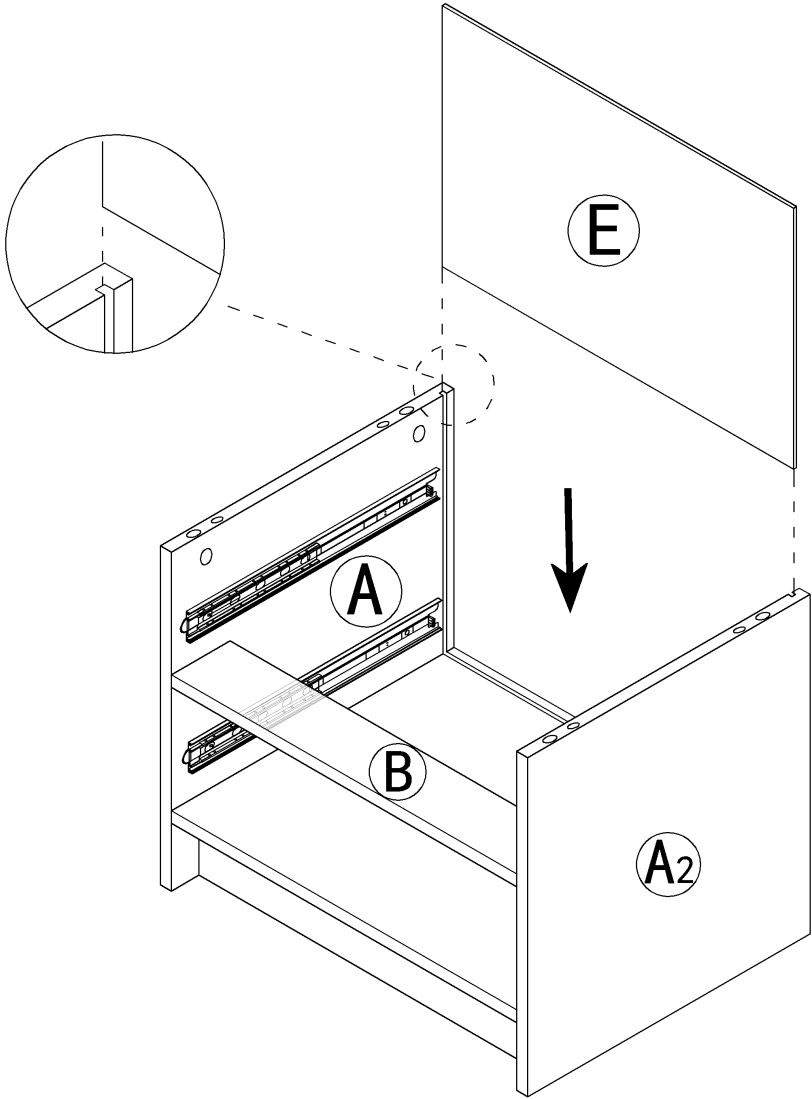
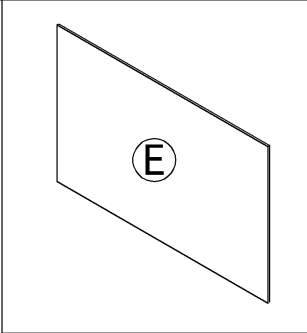
This hole is for strengthening fixed hole customers can choose to install according to their needs.

Step 17

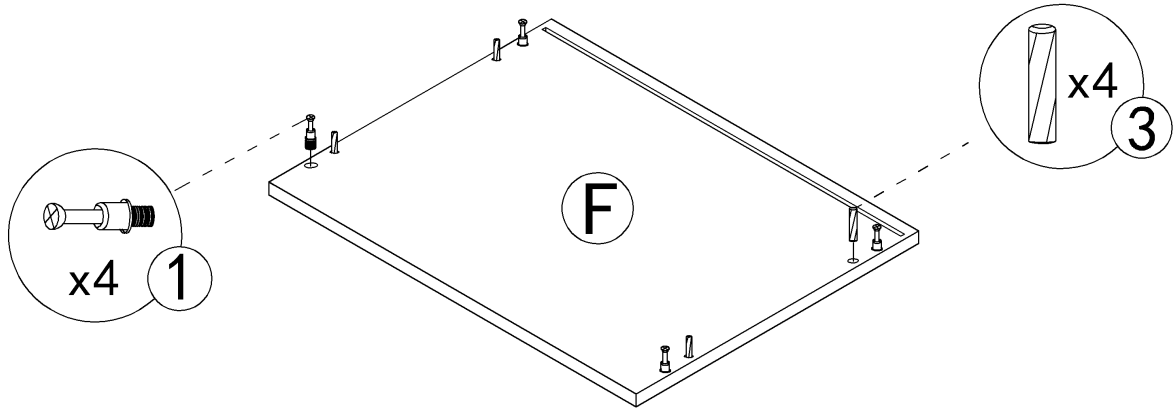
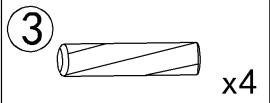
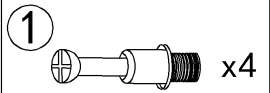
2  x8



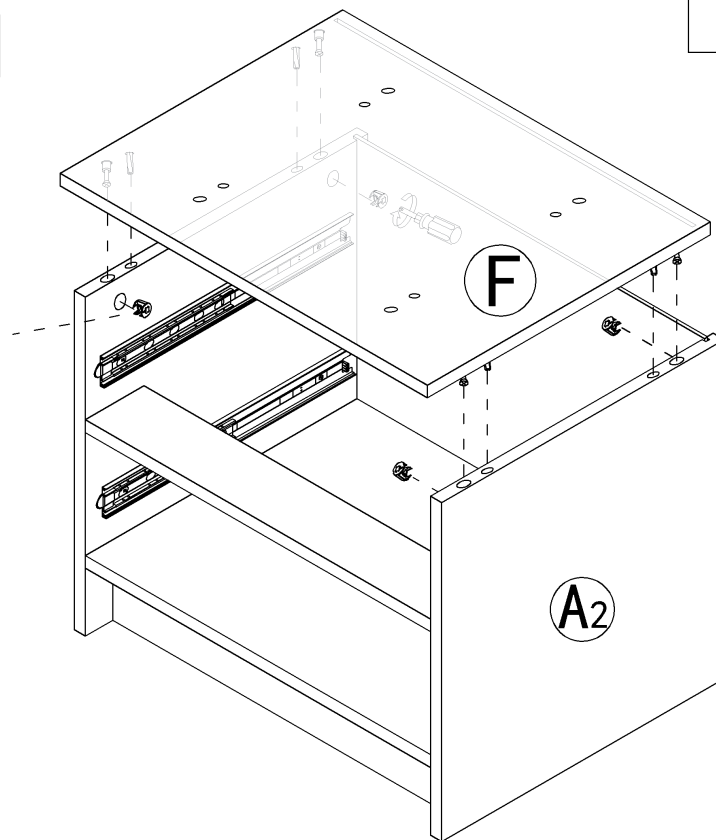
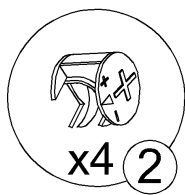
Step 18



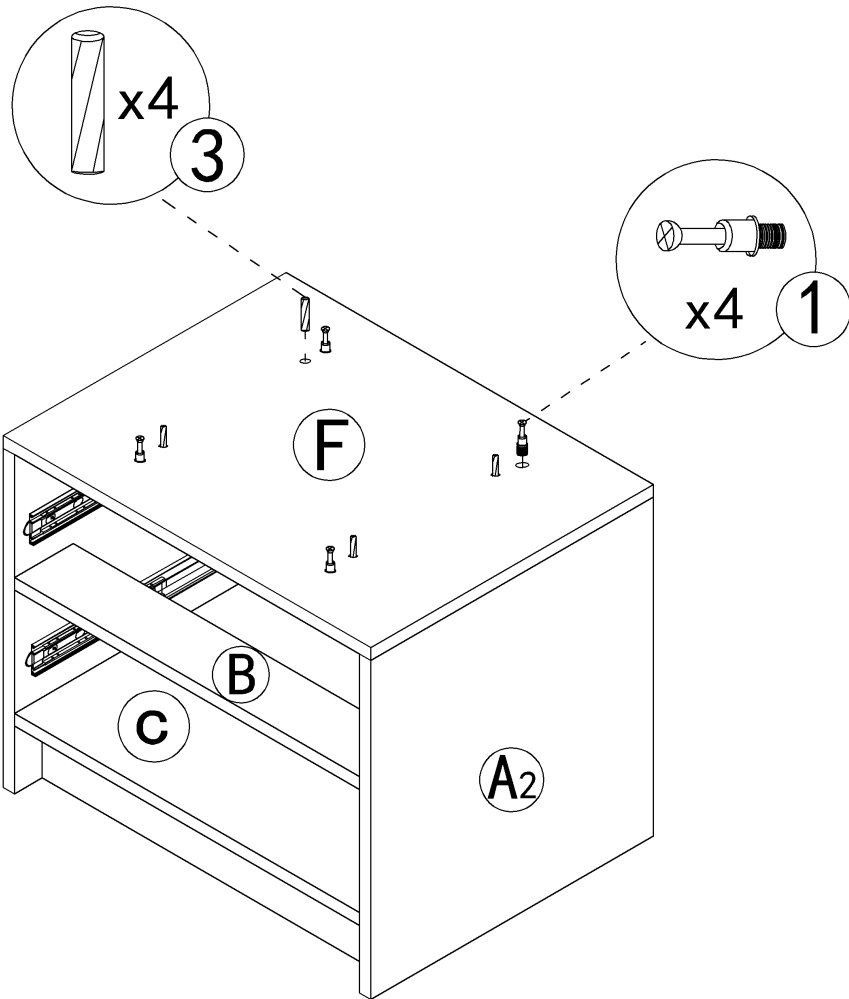
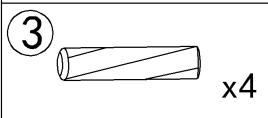
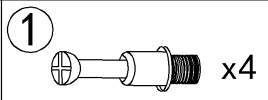
Step 19

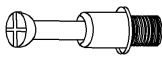
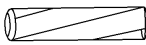
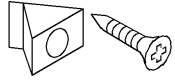

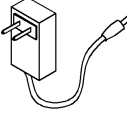


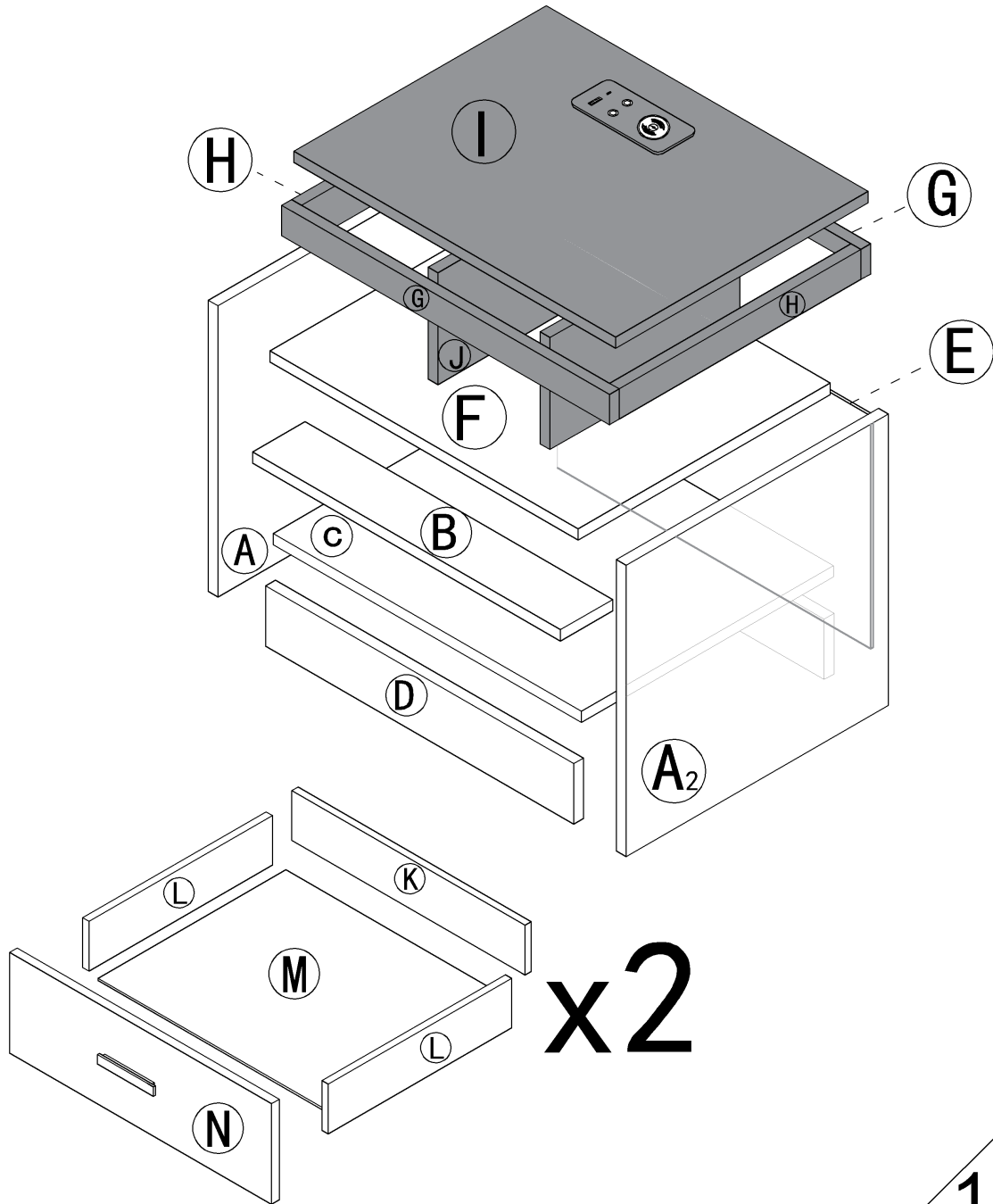
Step 20



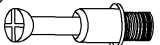

Step 21

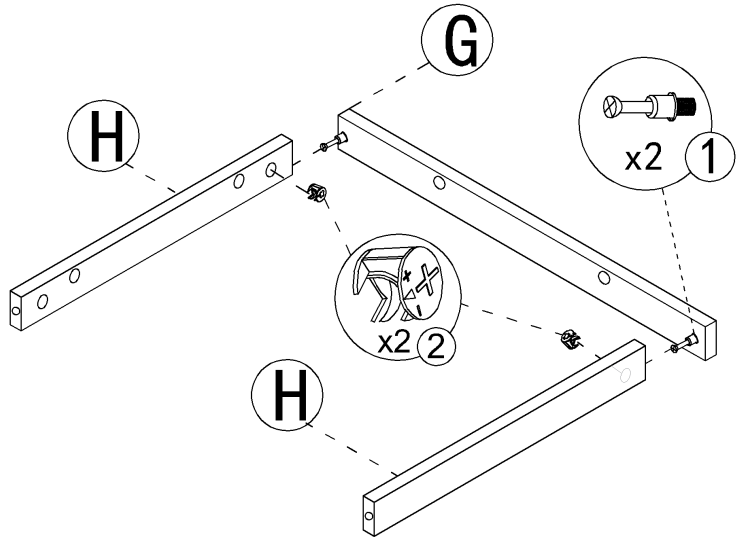


①		16pcs	③		4pcs	⑥		4pcs
②		20pcs			1pcs			

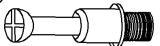



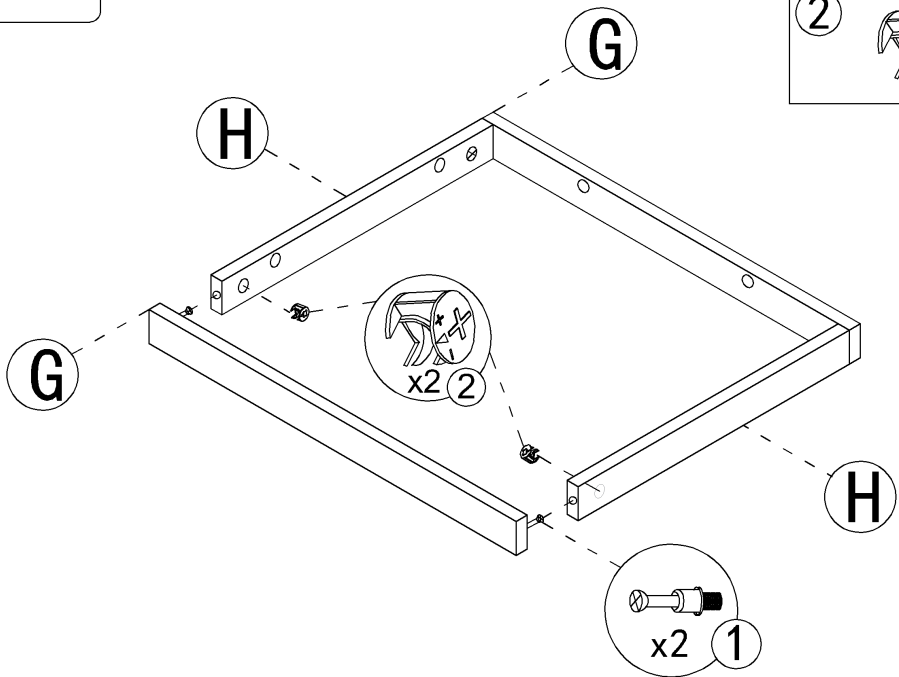
Step 22

- ①  x2
- ②  x2

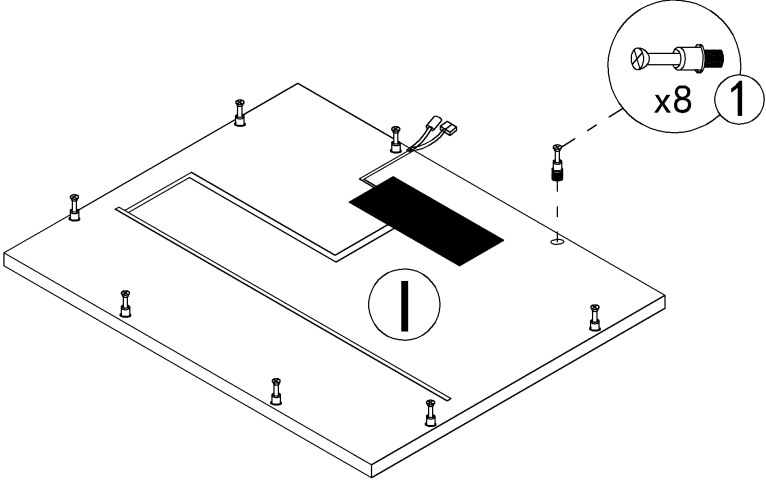
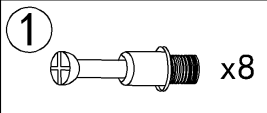


Step 23

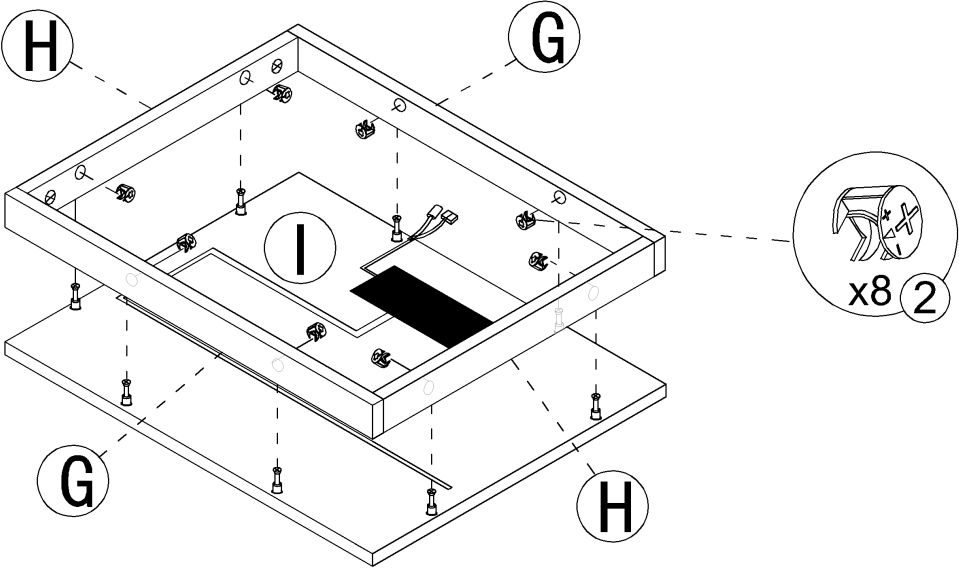
- ①  x2
- ②  x2



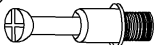
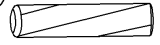
Step 24

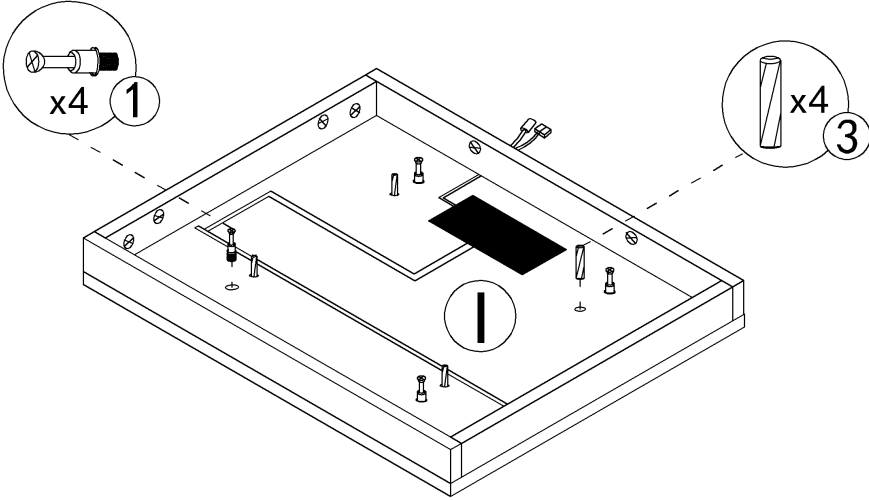


Step 25



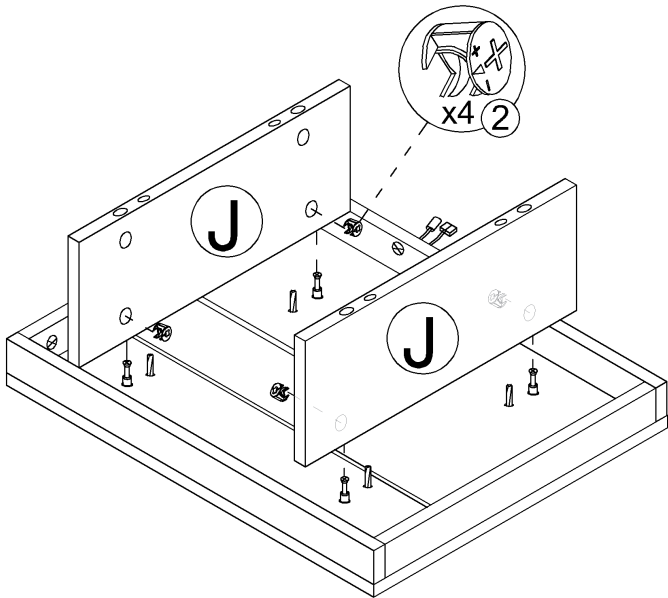
Step 26

- 1  x4
- 3  x4



Step 27

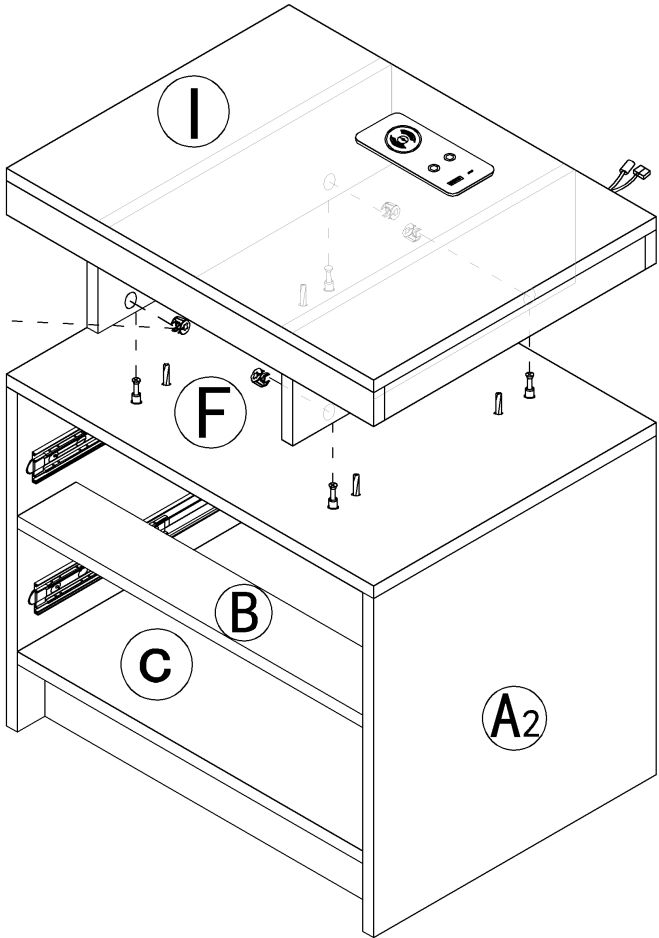
- 2  x4



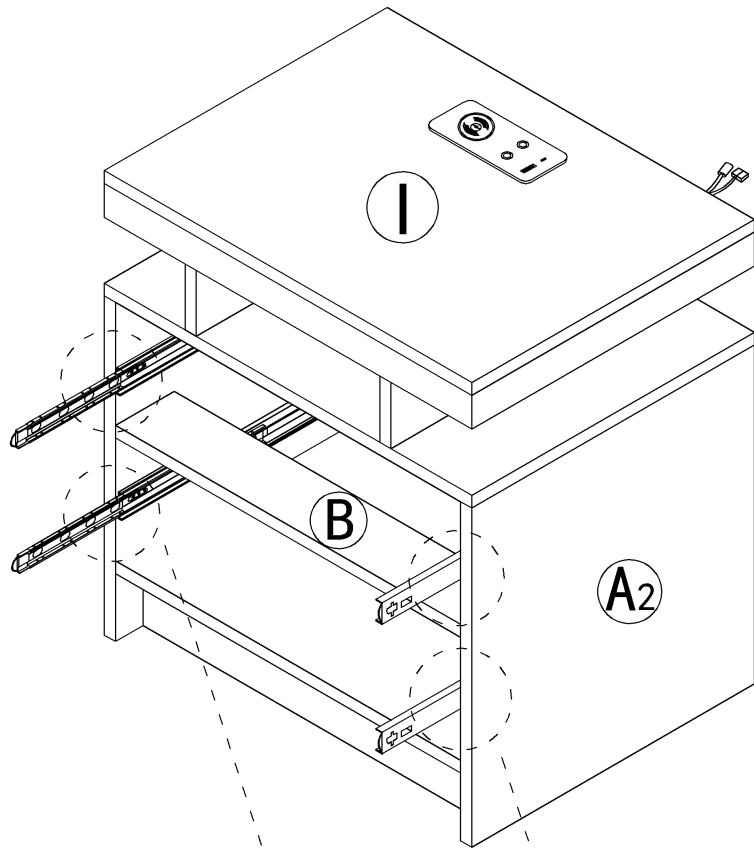
Step 28

2  x4

 x4 2

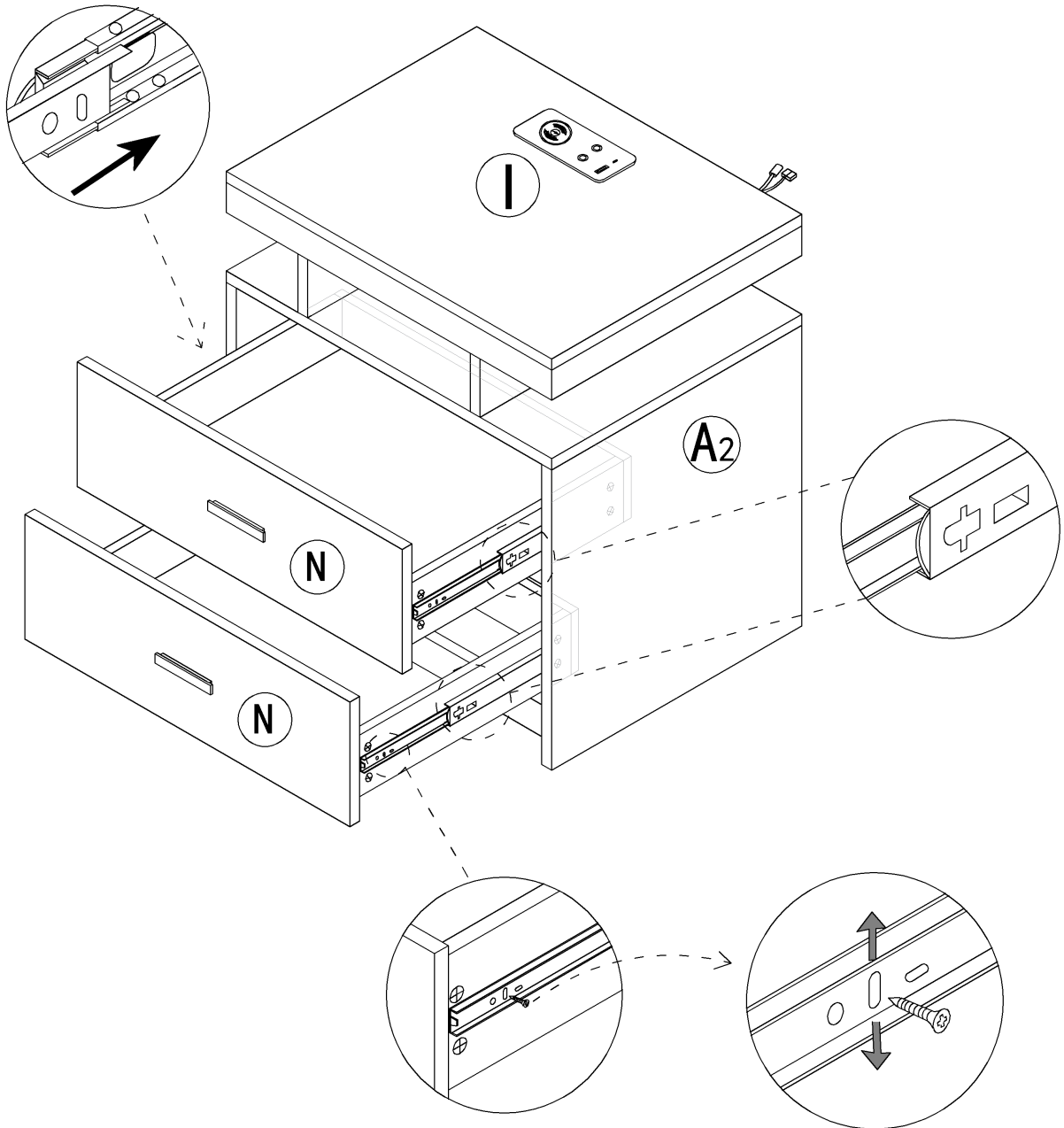


Step 29



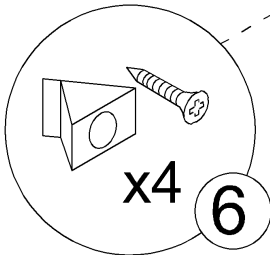
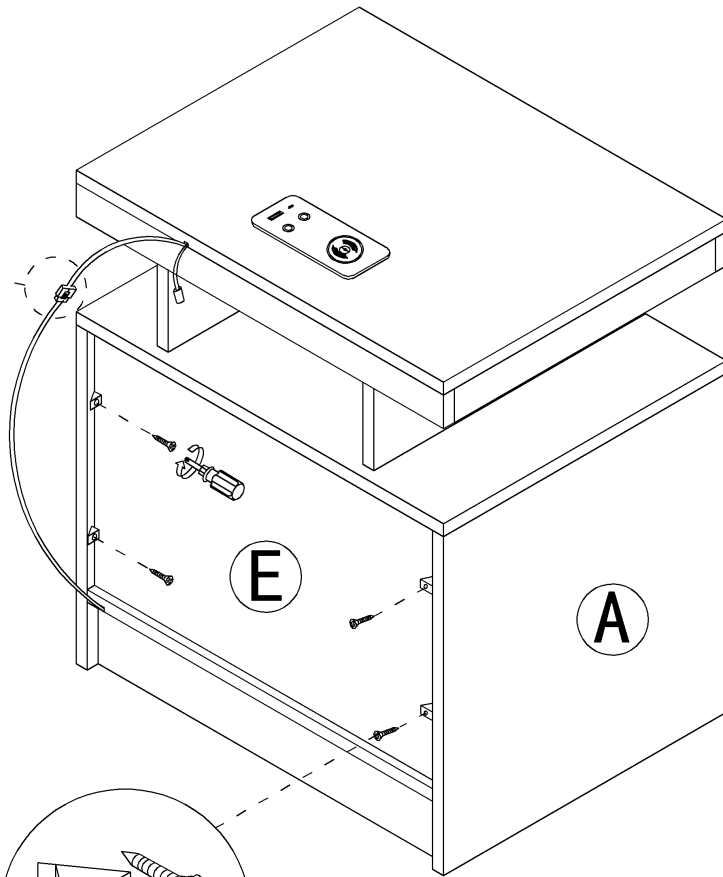
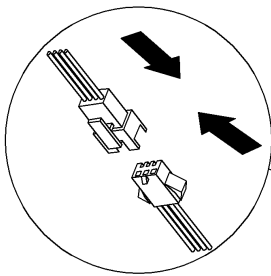
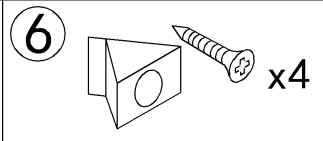
As shown, When installing the drawer,  
pull the guide rail out first, Slide beads are also pulled out.

Step 30

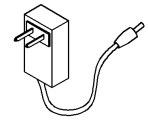


If a large gap is found after installing the drawer the slide rail can be moved up and down to adjust the gap

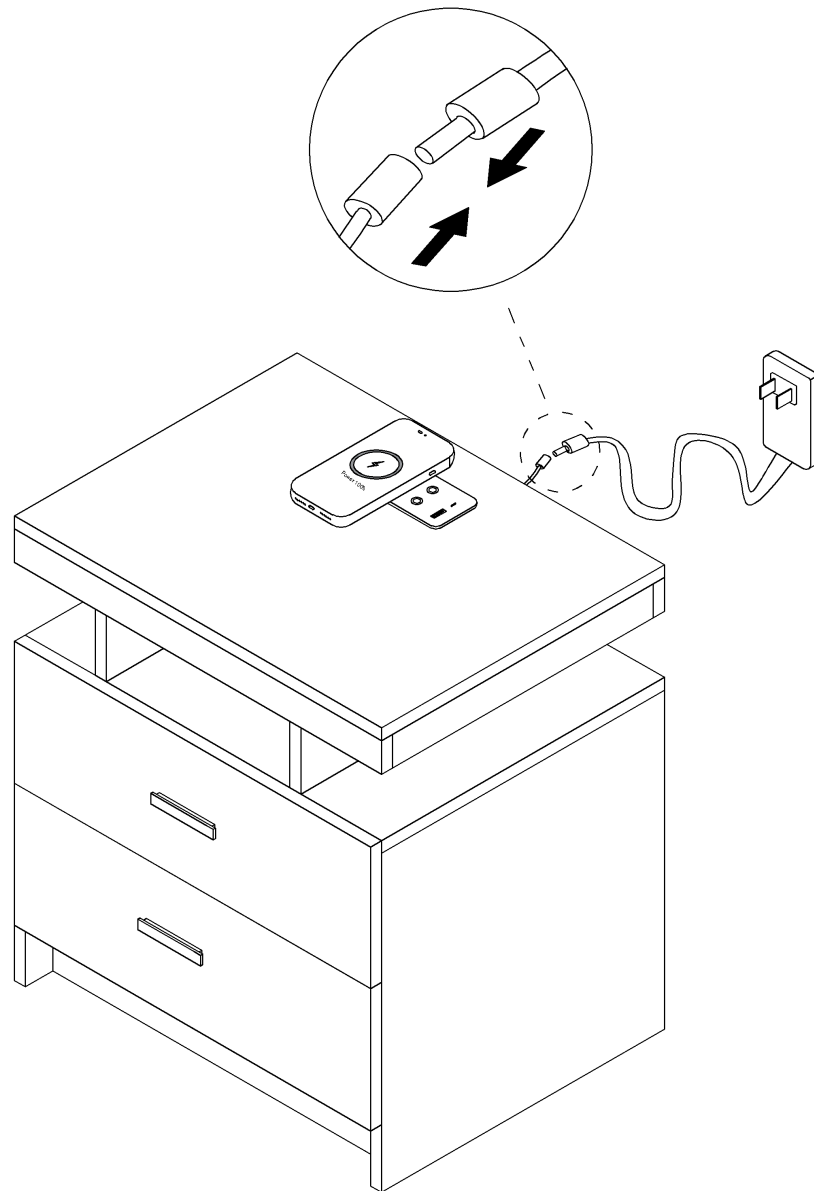
Step 31



Step 32



x1



The bedside table supports wireless charging ,  
It can be charged by placing a mobile phone  
that supports wireless charging

27



## User's Guide

Thank you for purchasing this product.

To use this product, please plug it into a 12VDC power supply.

Please use if the product works normally after connecting to power.

## Introduction

The box is an intelligent controller. It has 2 USB output ports and can distribute the current output up to 5VDC-2A. With 2 touch buttons, it can turn ON/OFF the light, change light colors, and adjust the light luminance.

## Operation



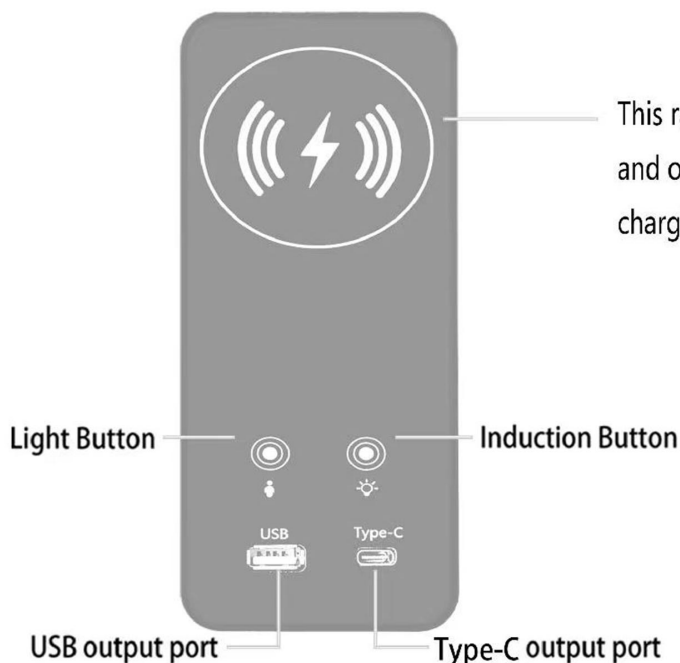
This touch button is used to turn on/off, change colors, and adjust brightness.

- A. Short touch -> lighting on -> short touch -> change light color -> short touch -> change light color -> short touch -> lighting off.
- B. Long touch -> adjust the luminance.



This touch button is used to turn on/off the induction function.

- A. Short touch to turn on the induction function. It can auto-turn on the light when people are close to the controller in 1 meters. It can auto power off the light when the body is far away from the controller after 30 seconds.
- B. Long touch to turn off the induction function.
- C. Note: When you touch the light button to change the light modes, the induction function will automatically turn off. It is best to turn on this function after selecting the light color and adjusting the brightness you want.



### ATTENTION PLEASE

1. If there is no touch response suddenly, Re-plug the power to reset the touch static electricity.
2. If bubbles appear on the panel, remove the protective film.
3. If you have any questions when installing, please feel free to contact us. Thank you.